



US00D473094S

(12) **United States Design Patent**
Aeshbacher

(10) **Patent No.:** **US D473,094 S**

(45) **Date of Patent:** **** Apr. 15, 2003**

(54) **TOASTER**

(75) Inventor: **Daniel Aeshbacher**, Mont-sur-Rolle (CH)

(73) Assignee: **SEB**, Selongey (FR)

(**) Term: **14 Years**

(21) Appl. No.: **29/164,202**

(22) Filed: **Jul. 22, 2002**

(30) **Foreign Application Priority Data**

Jan. 22, 2002 (FR) 02 0463

(51) **LOC (7) Cl.** **07-02**

(52) **U.S. Cl.** **D7/330**

(58) **Field of Search** D7/323, 328-330;
99/328, 329 RT, 372, 385, 389

(56) **References Cited**

U.S. PATENT DOCUMENTS

D345,074 S * 3/1994 Myers et al. D7/330

D422,832 S * 4/2000 Gaynor et al. D7/330

D445,629 S * 7/2001 Davis et al. D7/330

D450,975 S * 11/2001 Aeschbacher D7/330

* cited by examiner

Primary Examiner—Caron D. Veynar

(74) *Attorney, Agent, or Firm*—Browdy and Neimark

(57) **CLAIM**

The ornamental design for a toaster, as shown.

DESCRIPTION

FIG. 1 is a front view of a toaster in accordance with the present design;

FIG. 2 is a rear view thereof;

FIG. 3 is a left side view thereof;

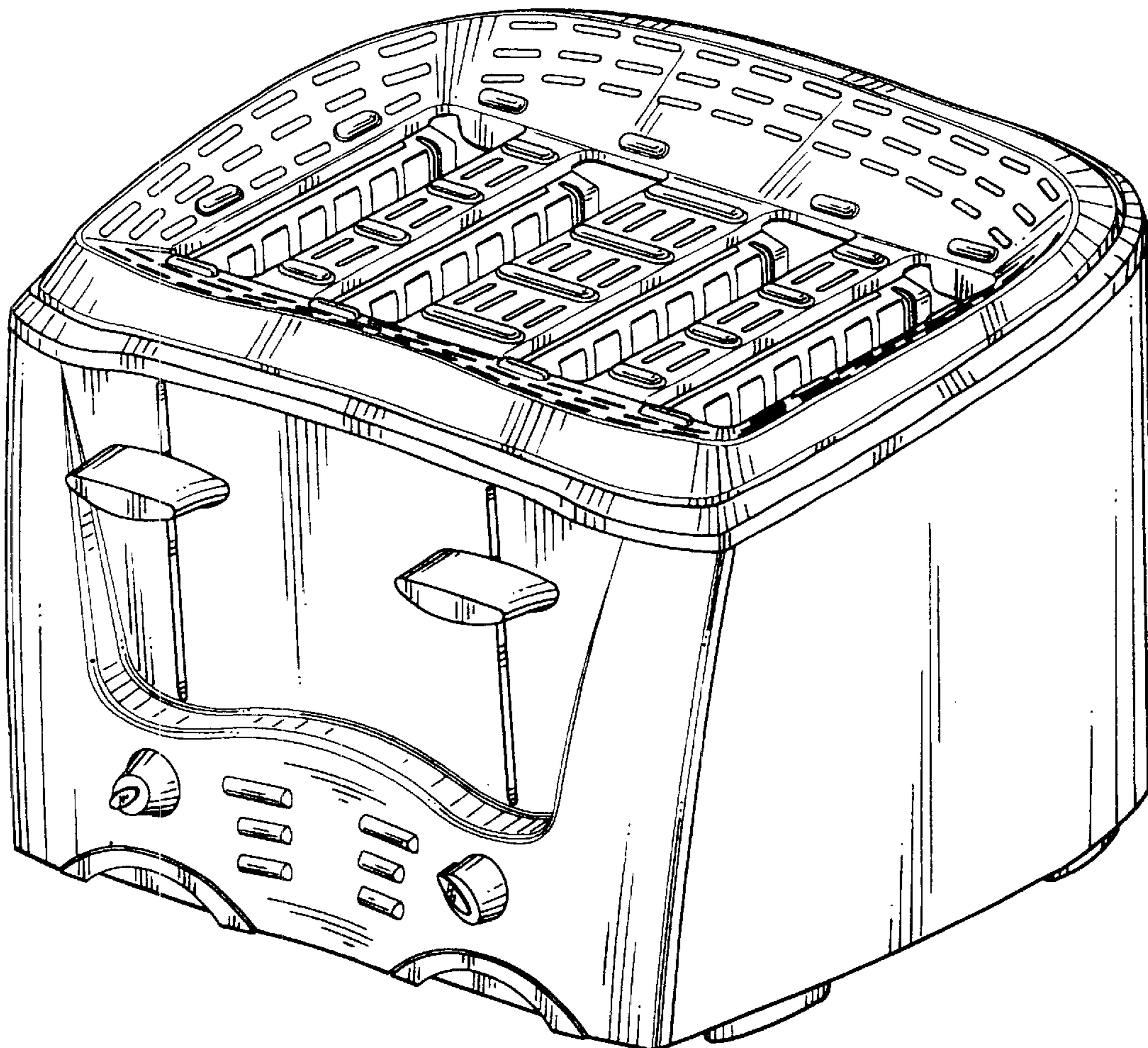
FIG. 4 is a right side view thereof;

FIG. 5 is a top plan view thereof;

FIG. 6 is a bottom plan view thereof; and,

FIG. 7 is three quarter perspective view thereof.

1 Claim, 7 Drawing Sheets



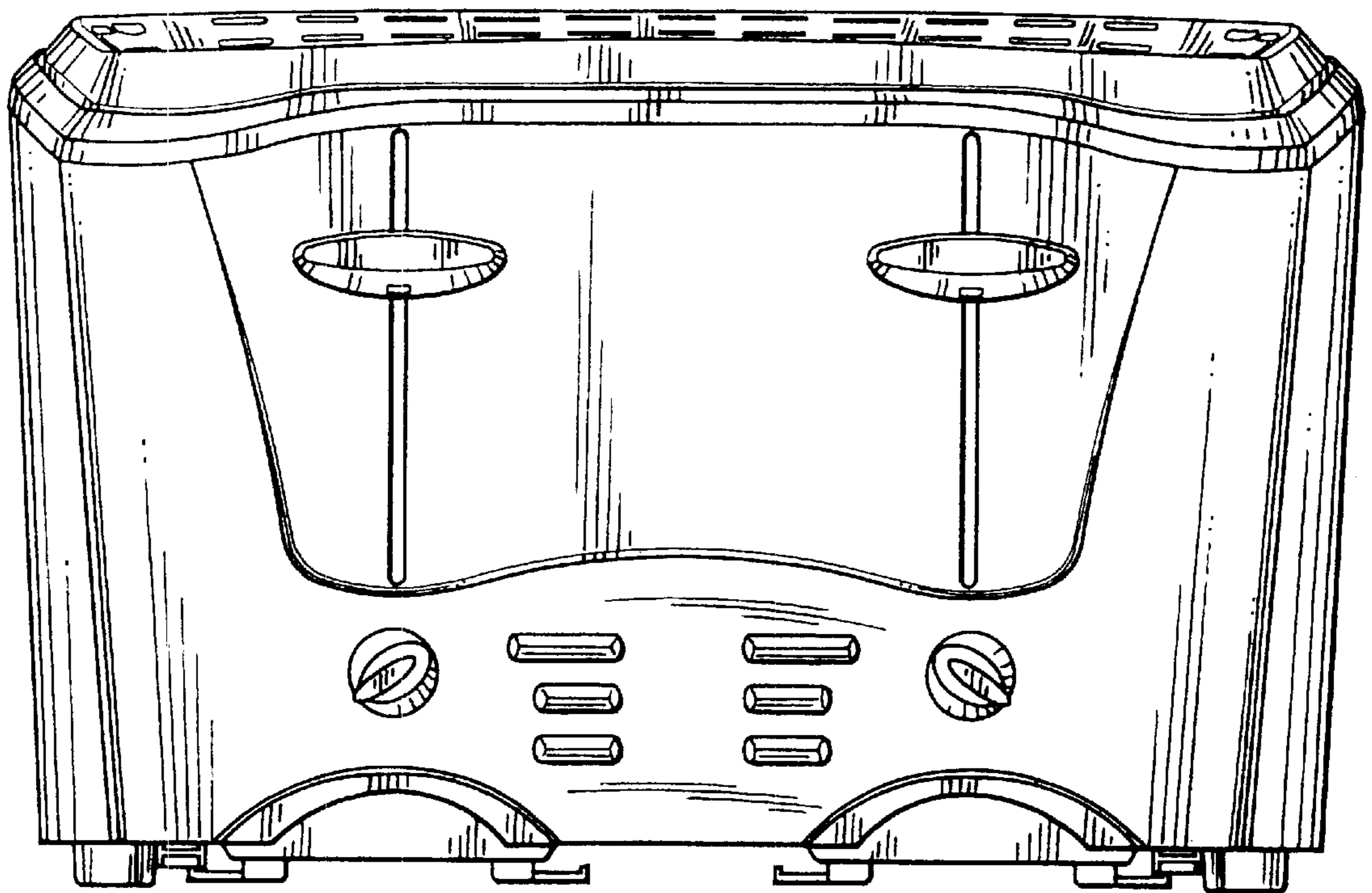


FIG. 1

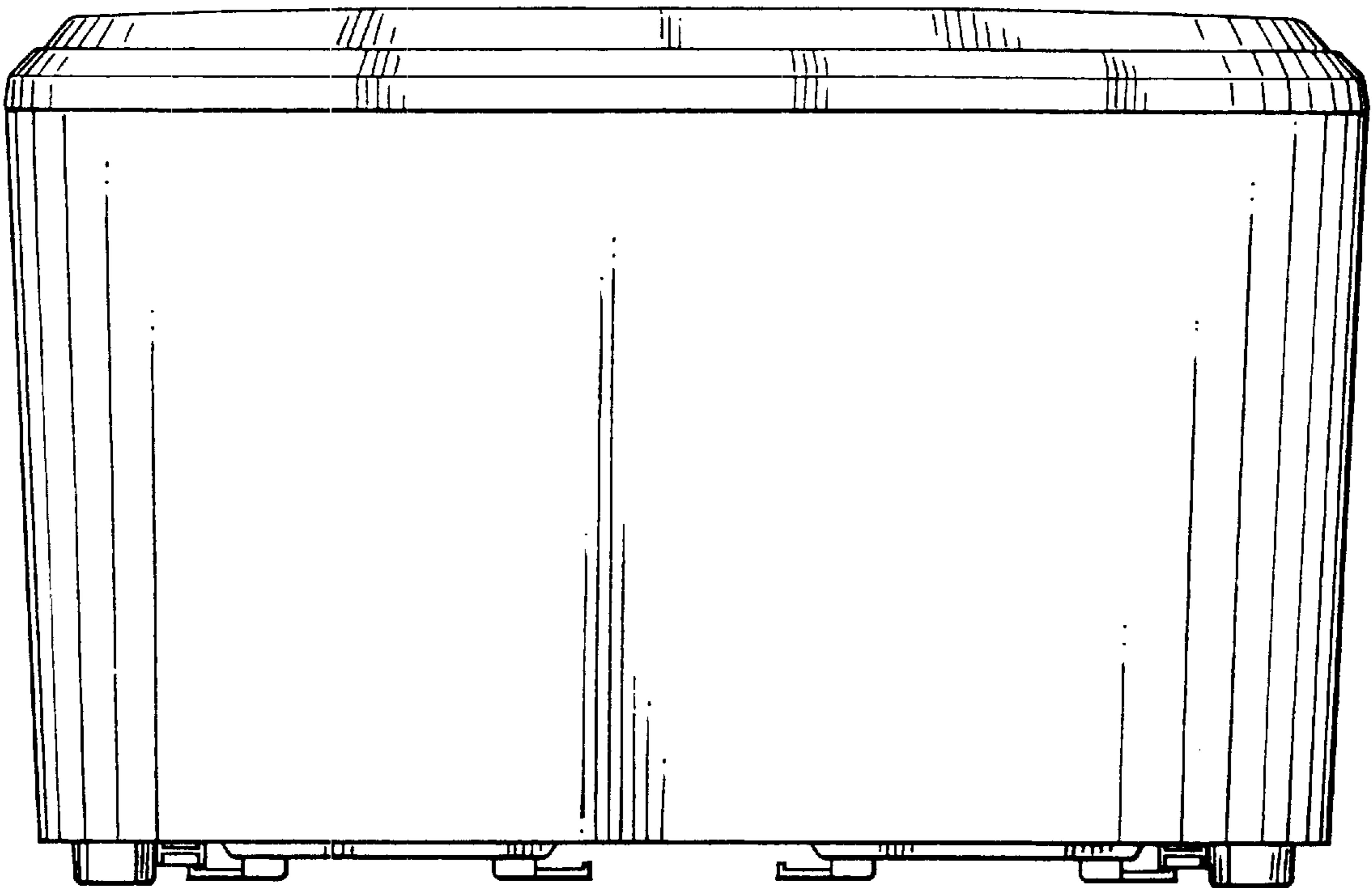


FIG. 2

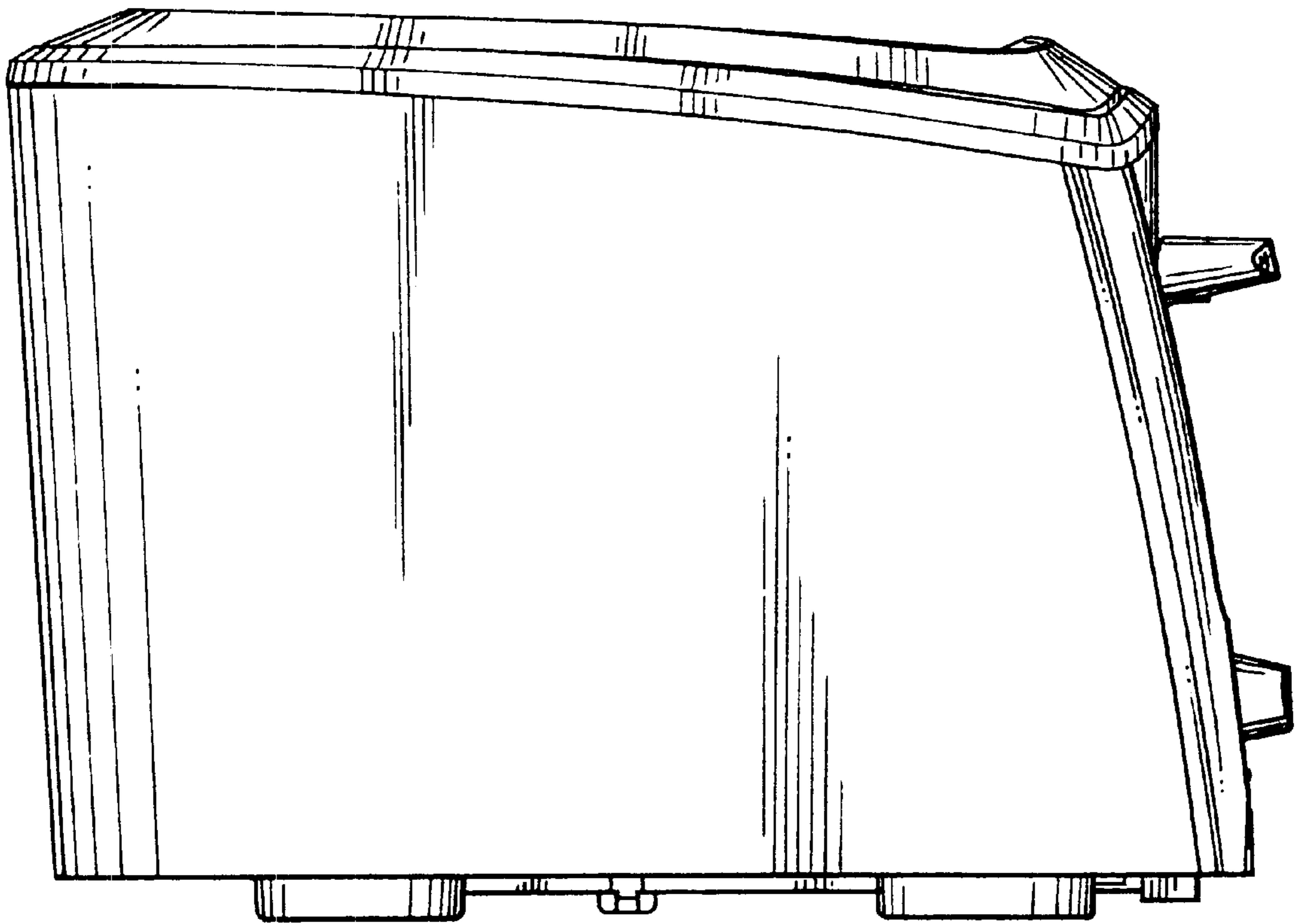


FIG. 3

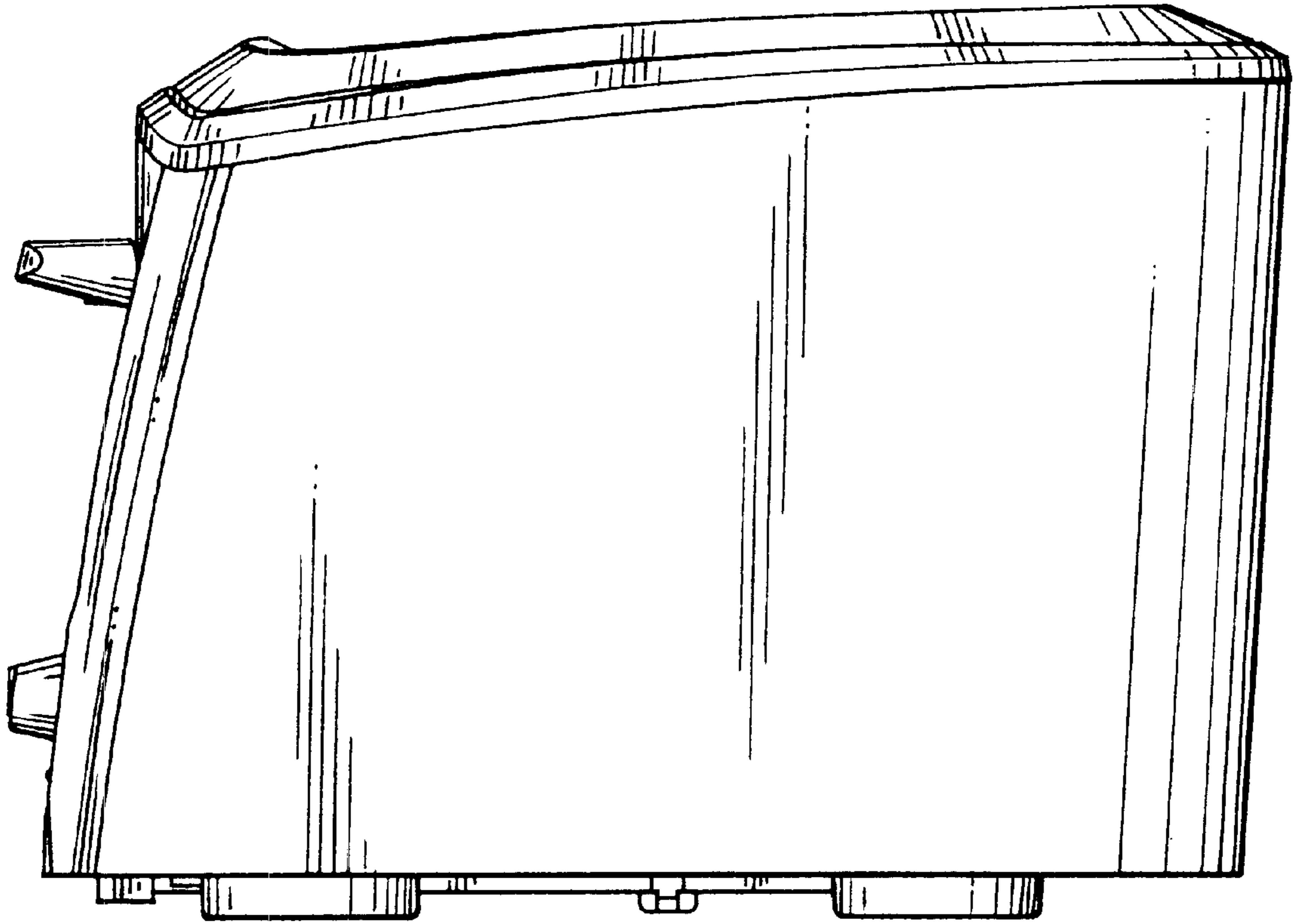


FIG. 4

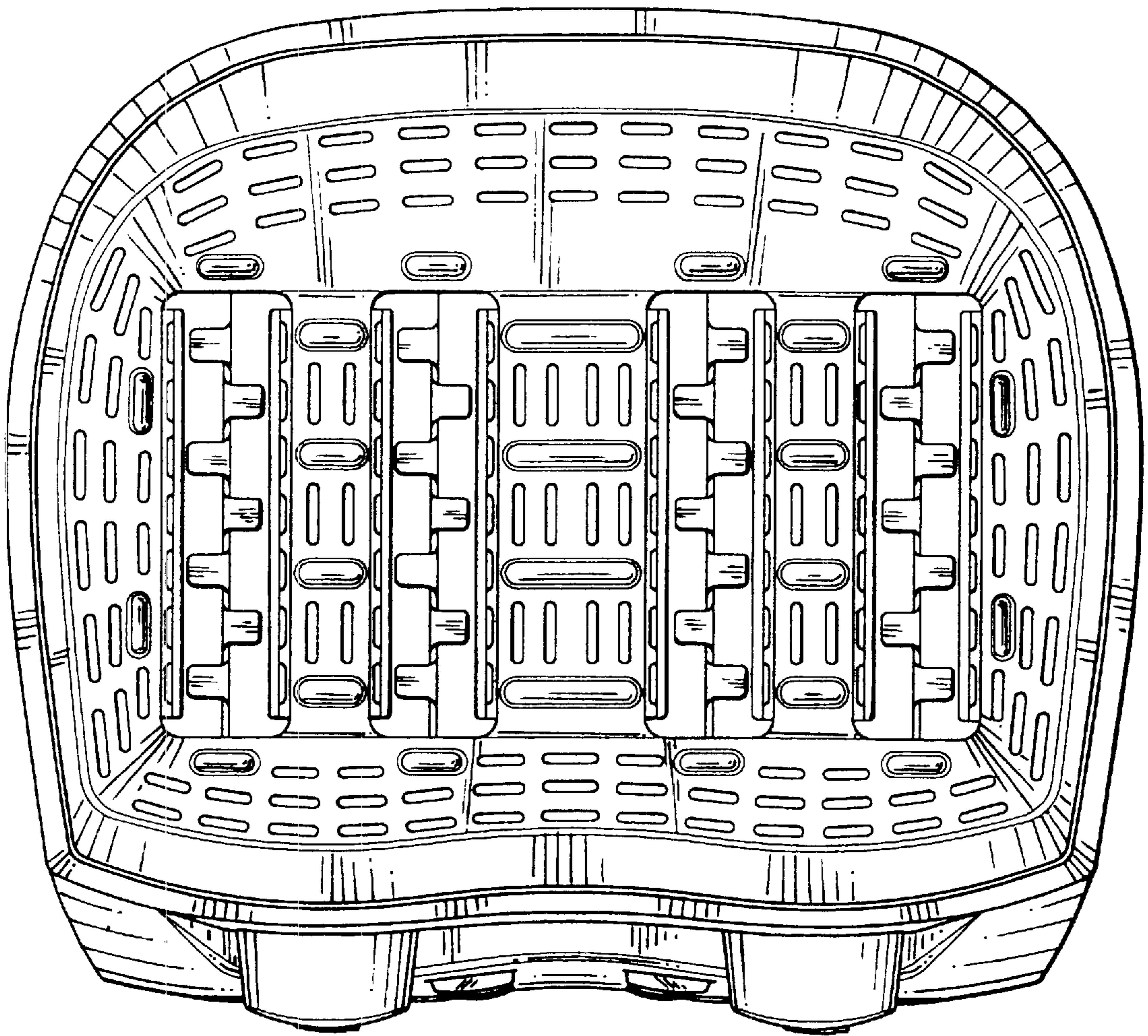


FIG. 5

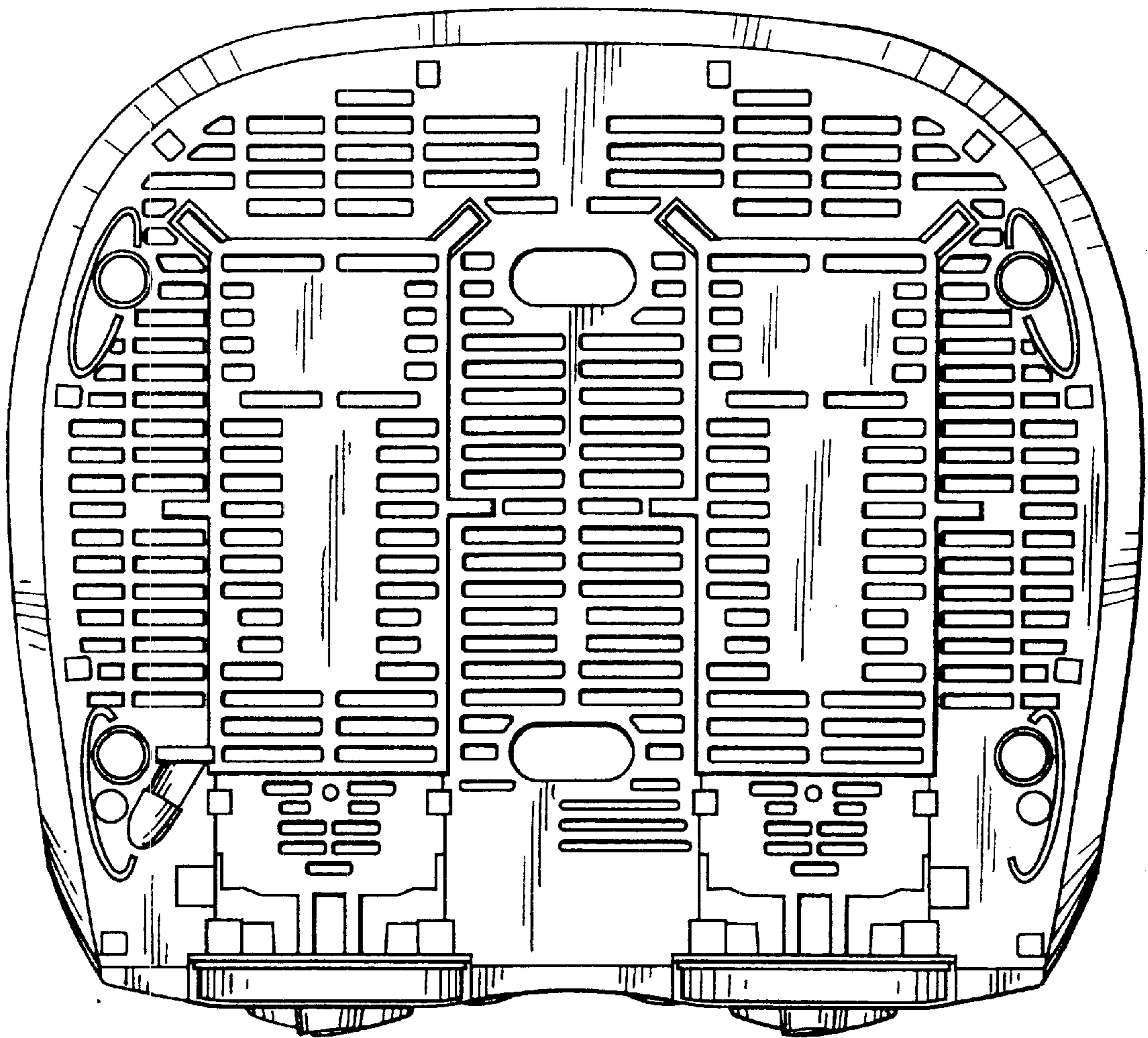


FIG. 6

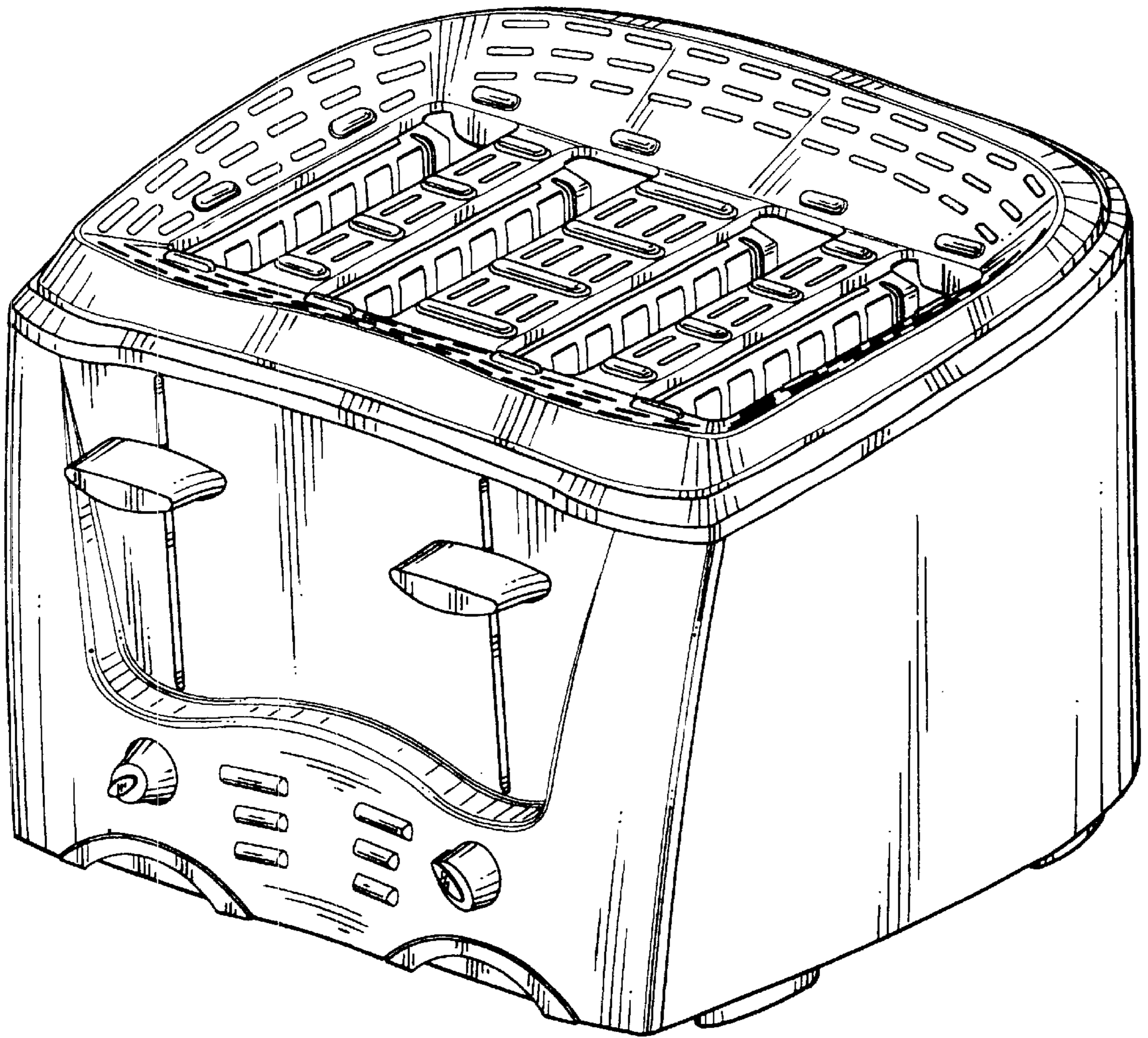


FIG. 7