



US00D473086S

(12) **United States Design Patent**
Harwanko

(10) **Patent No.:** **US D473,086 S**

(45) **Date of Patent:** **** Apr. 15, 2003**

(54) **WIRE CADDY**
(75) Inventor: **Jeffrey B. Harwanko**, Wilmington, DE
(US)
(73) Assignee: **Zenith Products Corp.**, New Castle,
DE (US)
(**) Term: **14 Years**
(21) Appl. No.: **29/164,889**
(22) Filed: **Jul. 31, 2002**

(51) **LOC (7) Cl.** **23-02**
(52) **U.S. Cl.** **D6/525**
(58) **Field of Search** D6/524, 525, 566;
211/13.1, 41.3, 71.01, 74, 75, 86.01, 87.01,
88.01, 90.01, 90.03, 106, 119, 126.1, 133.5,
134, 181.1

(56) **References Cited**
U.S. PATENT DOCUMENTS

3,789,996 A * 2/1974 Stroh 211/181.1 X
D294,902 S * 3/1988 Sussman D6/525
D315,840 S * 4/1991 Emery D6/525

D376,942 S * 12/1996 Munoz D6/525
D378,556 S * 3/1997 Munoz D6/525
5,620,105 A * 4/1997 Macek 211/181.1 X
D409,424 S * 5/1999 Hofman et al. D6/525
D428,745 S * 8/2000 Patel et al. D6/525
D446,670 S * 8/2001 Emery et al. D6/525

* cited by examiner

Primary Examiner—Brian N. Vinson
(74) *Attorney, Agent, or Firm*—Edgar A. Zarins; Lloyd D.
Doigan

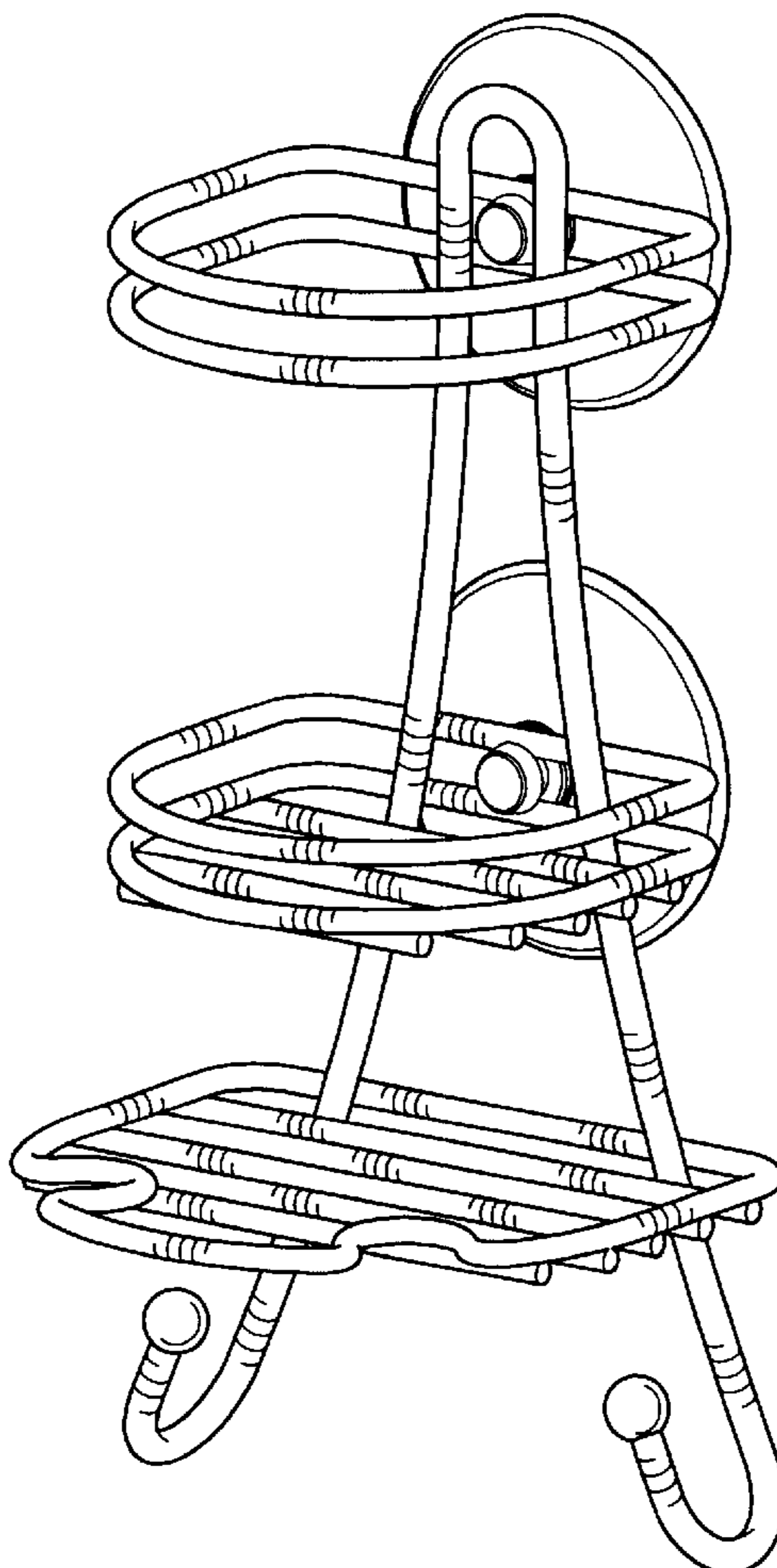
(57) **CLAIM**

The ornamental design for a wire caddy, as shown and described.

DESCRIPTION

FIG. 1 is a perspective view of a wire caddy showing my new design;
FIG. 2 is a rear view thereof;
FIG. 3 is a right side view thereof, the opposite side being a mirror image of the side shown; and,
FIG. 4 is a top plan view thereof.

1 Claim, 4 Drawing Sheets



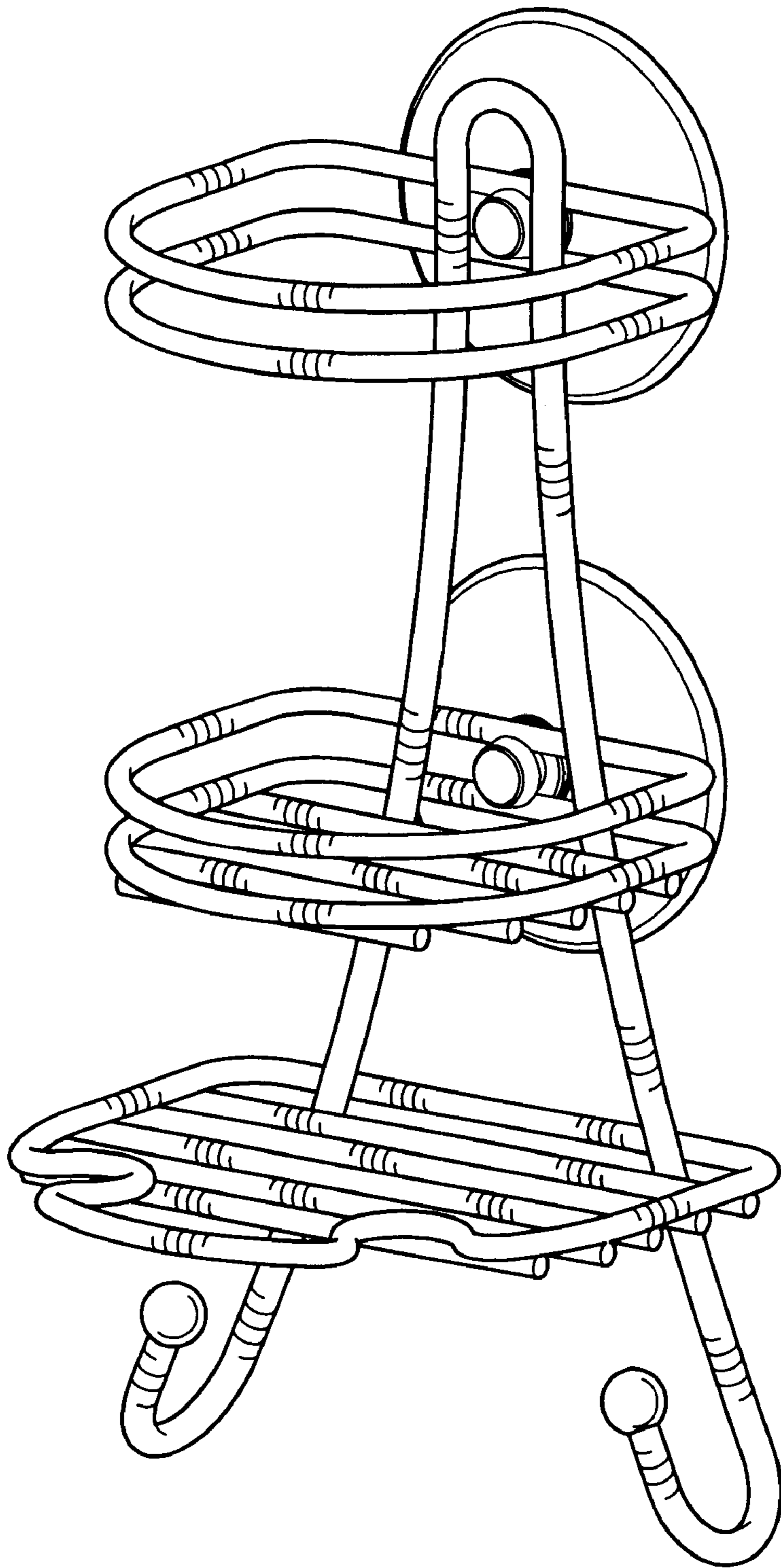


Fig-1

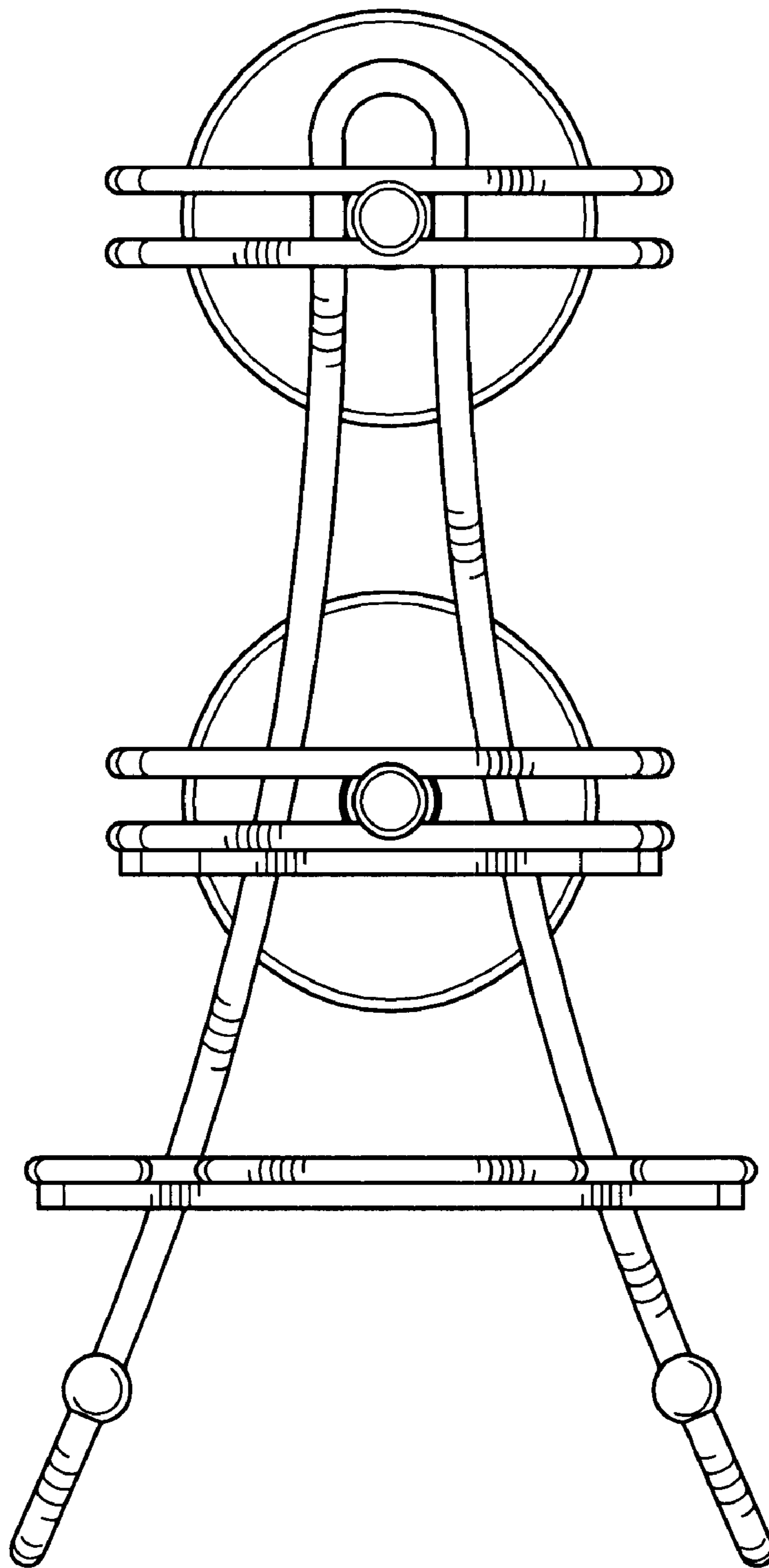


Fig-2

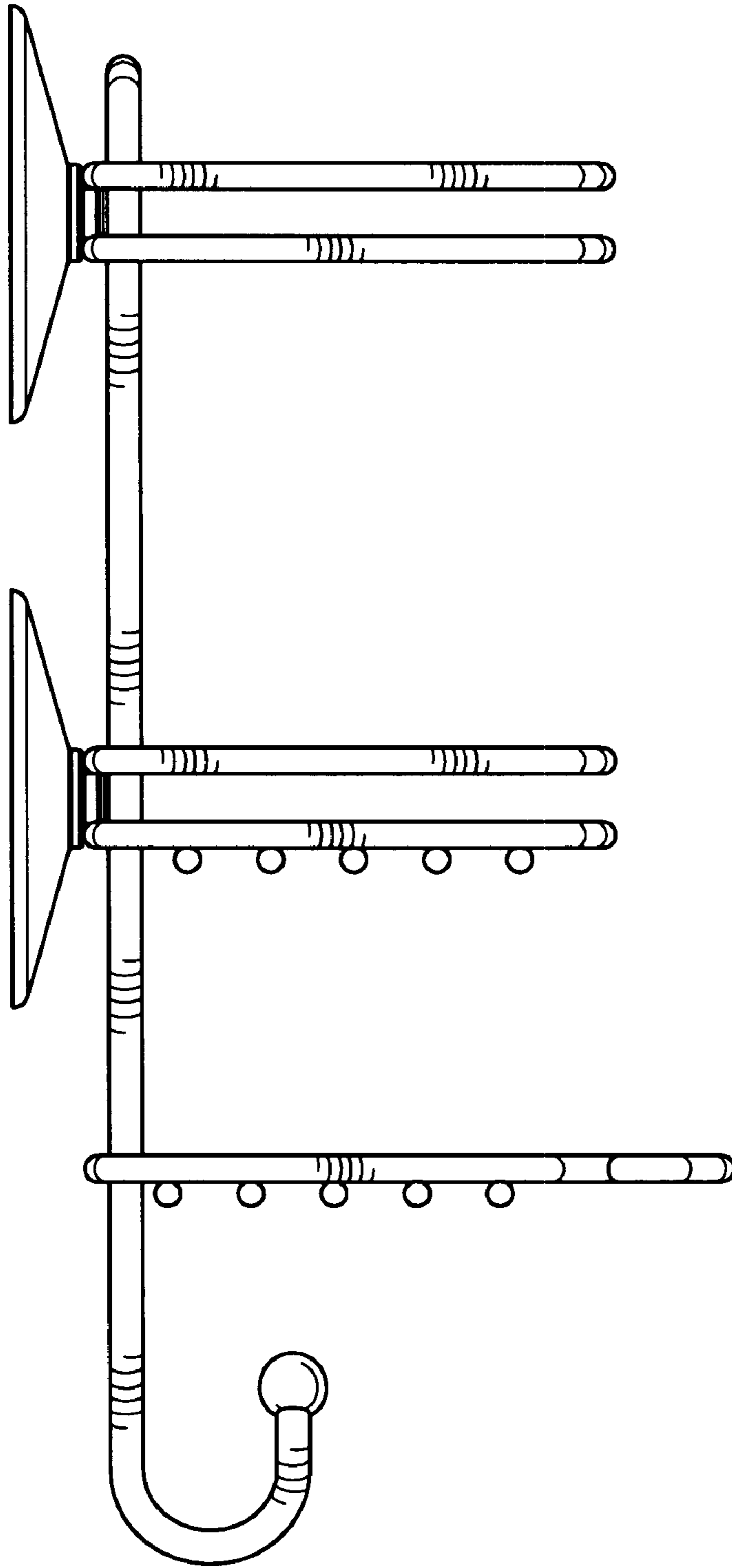


Fig-3

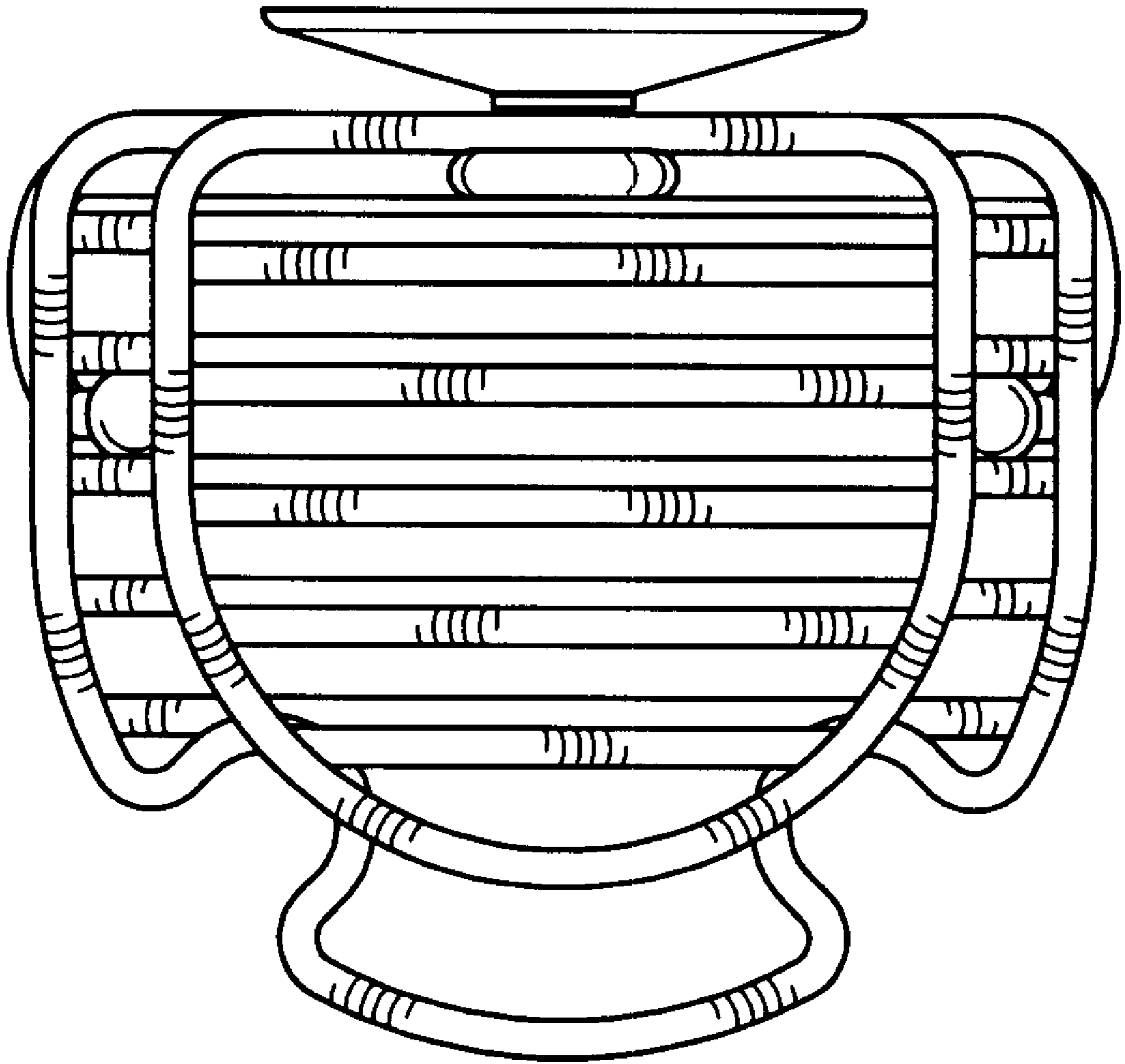


Fig-4