



US00D473085S

(12) **United States Design Patent**  
**Walker**

(10) **Patent No.:** **US D473,085 S**

(45) **Date of Patent:** **\*\* Apr. 15, 2003**

(54) **WIRE TUB CADDY**

D367,790 S \* 3/1996 Munoz et al. .... D6/525

(75) Inventor: **David L. Walker**, Chester, PA (US)

\* cited by examiner

(73) Assignee: **Zenith Products Corp.**, New Castle, DE (US)

*Primary Examiner*—Brian N. Vinson  
(74) *Attorney, Agent, or Firm*—Edgar A. Zarins; Lloyd D. Doigan

(\*\*) Term: **14 Years**

(21) Appl. No.: **29/164,878**

(22) Filed: **Jul. 31, 2002**

(51) **LOC (7) Cl.** ..... **23-02**

(52) **U.S. Cl.** ..... **D6/525**

(58) **Field of Search** ..... D6/524, 525, 566;  
211/13.1, 41.3, 71.01, 74, 75, 86.01, 87.01,  
88.01, 90.01, 90.03, 106, 119, 126.1, 133.5,  
134, 181.1

(56) **References Cited**

**U.S. PATENT DOCUMENTS**

D367,297 S \* 2/1996 Doucette ..... D6/566 X

(57) **CLAIM**

The ornamental design for a wire tub caddy, as shown and described.

**DESCRIPTION**

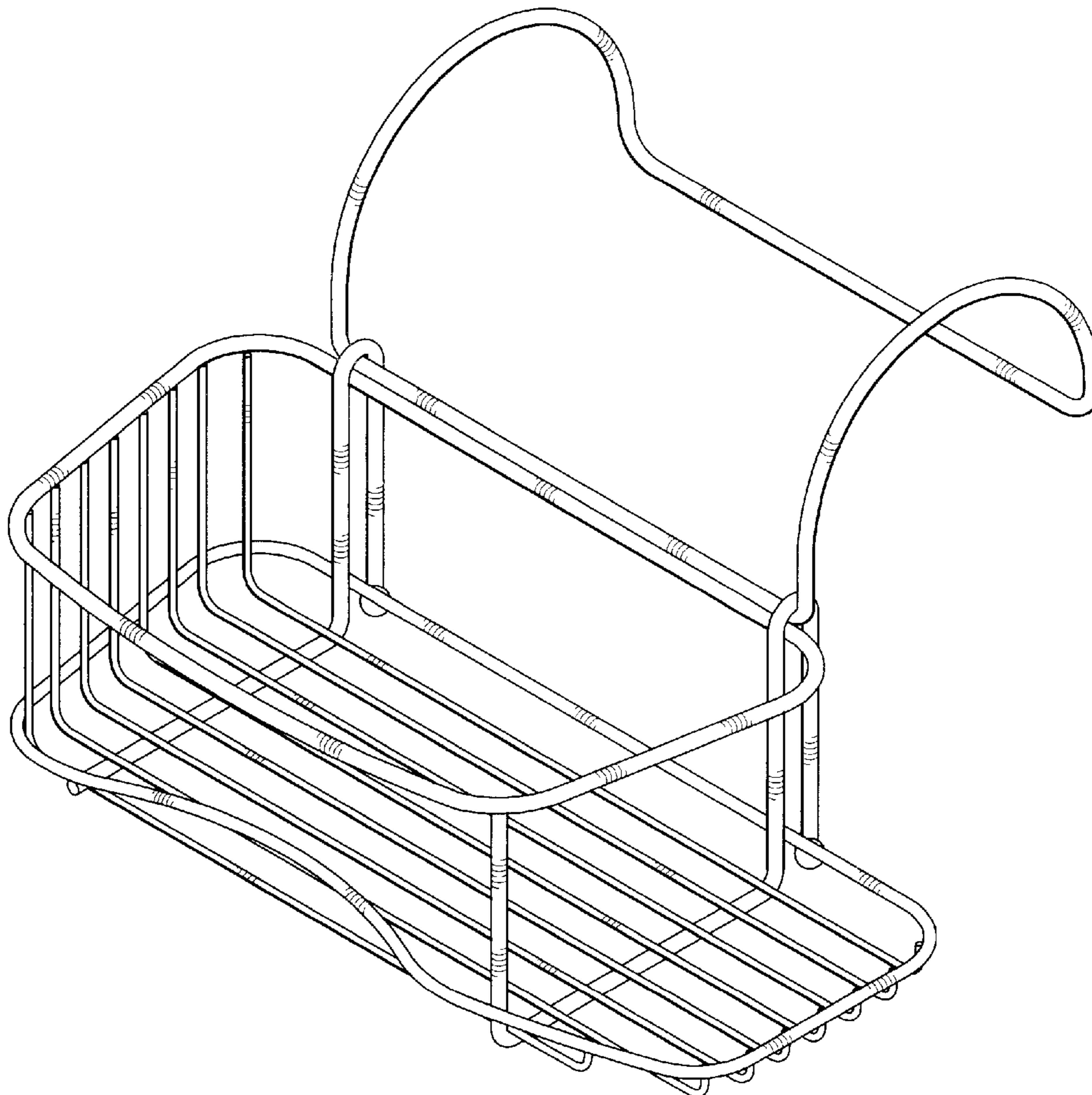
FIG. 1 is a perspective view of a wire tub caddy showing my new design;

FIG. 2 is a front elevational view thereof;

FIG. 3 is a top plan view thereof; and,

FIG. 4 is a left side view thereof, the opposite side being a mirror image of the side shown.

**1 Claim, 2 Drawing Sheets**



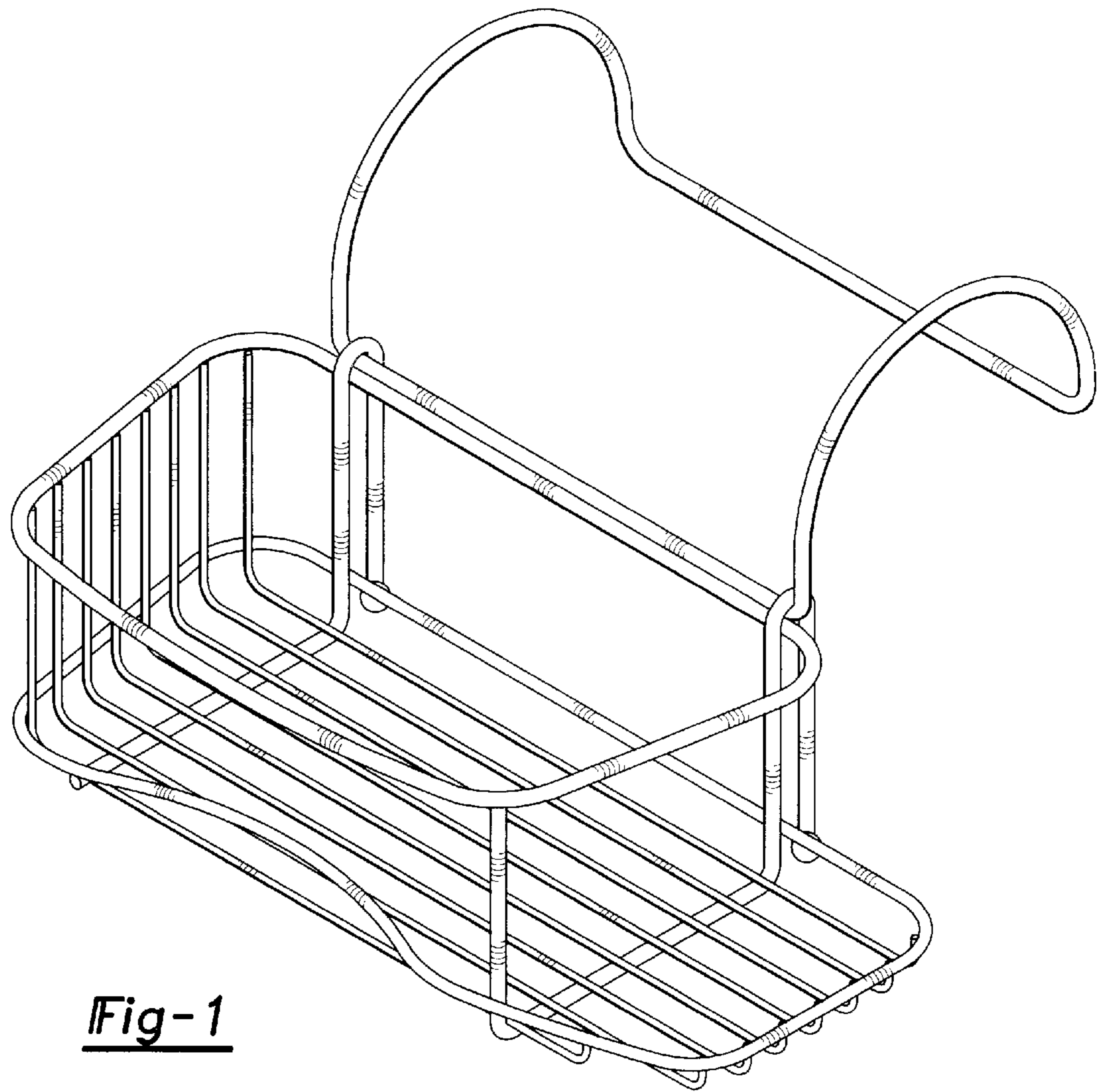


Fig-1

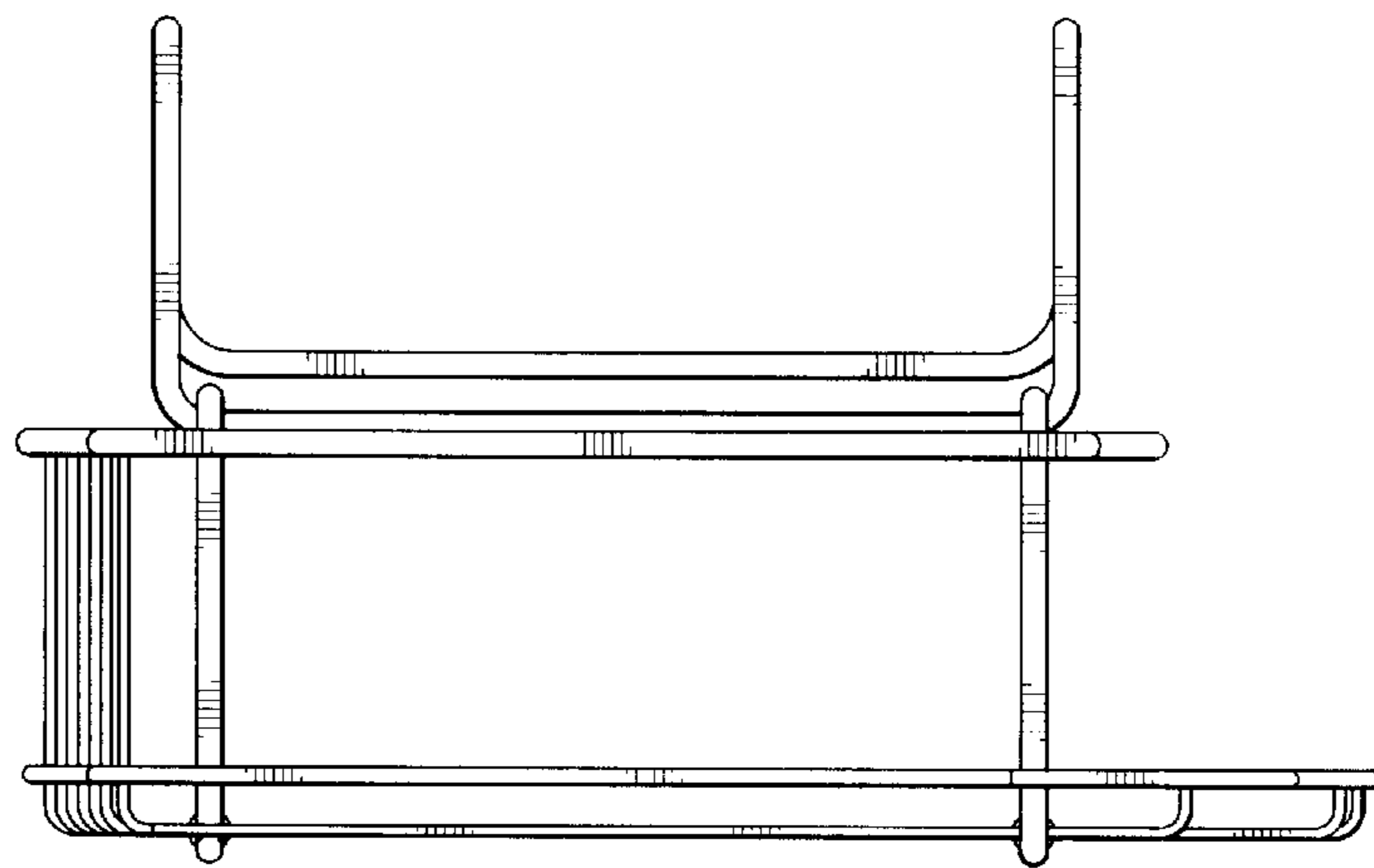


Fig-2

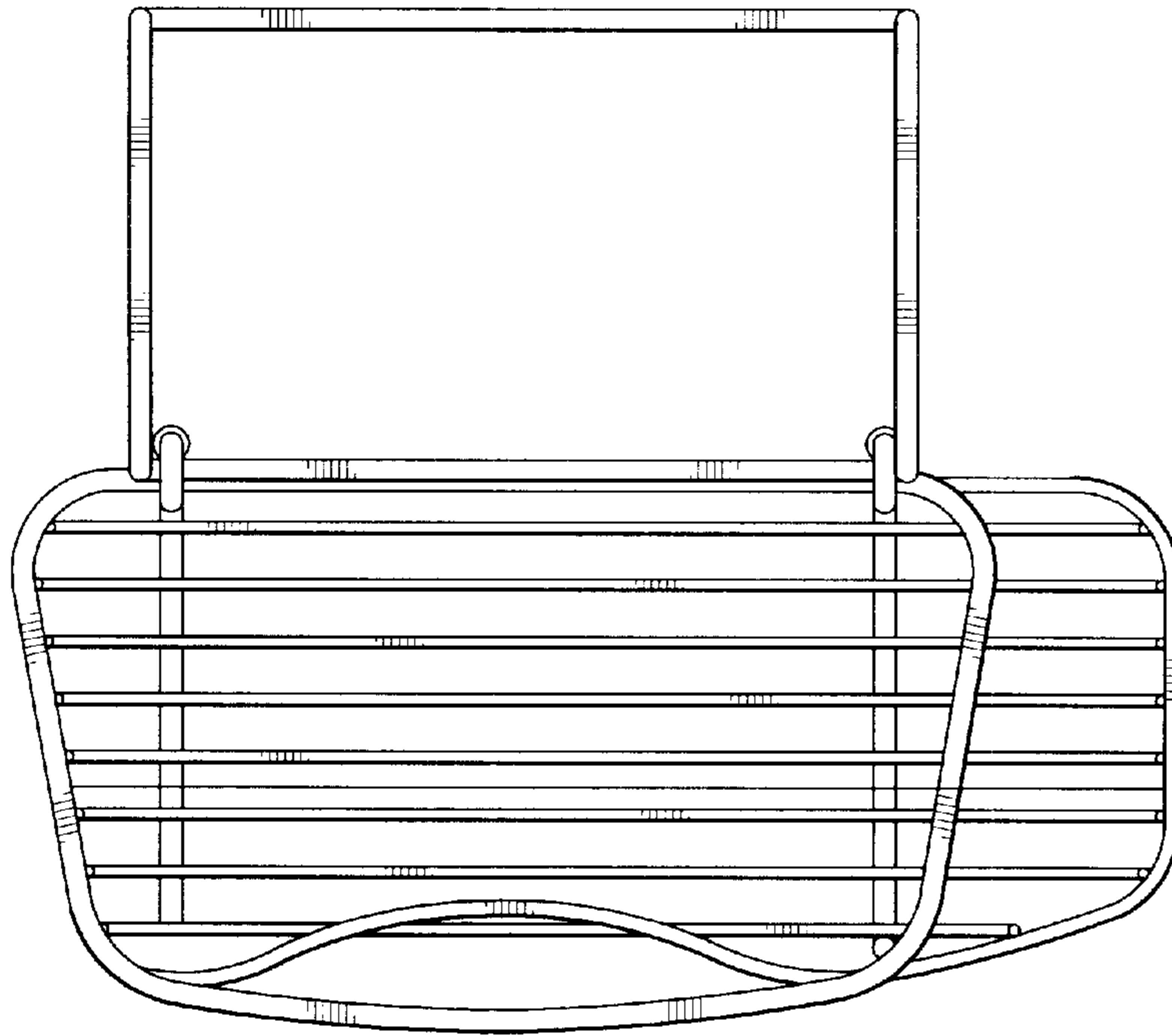


Fig-3

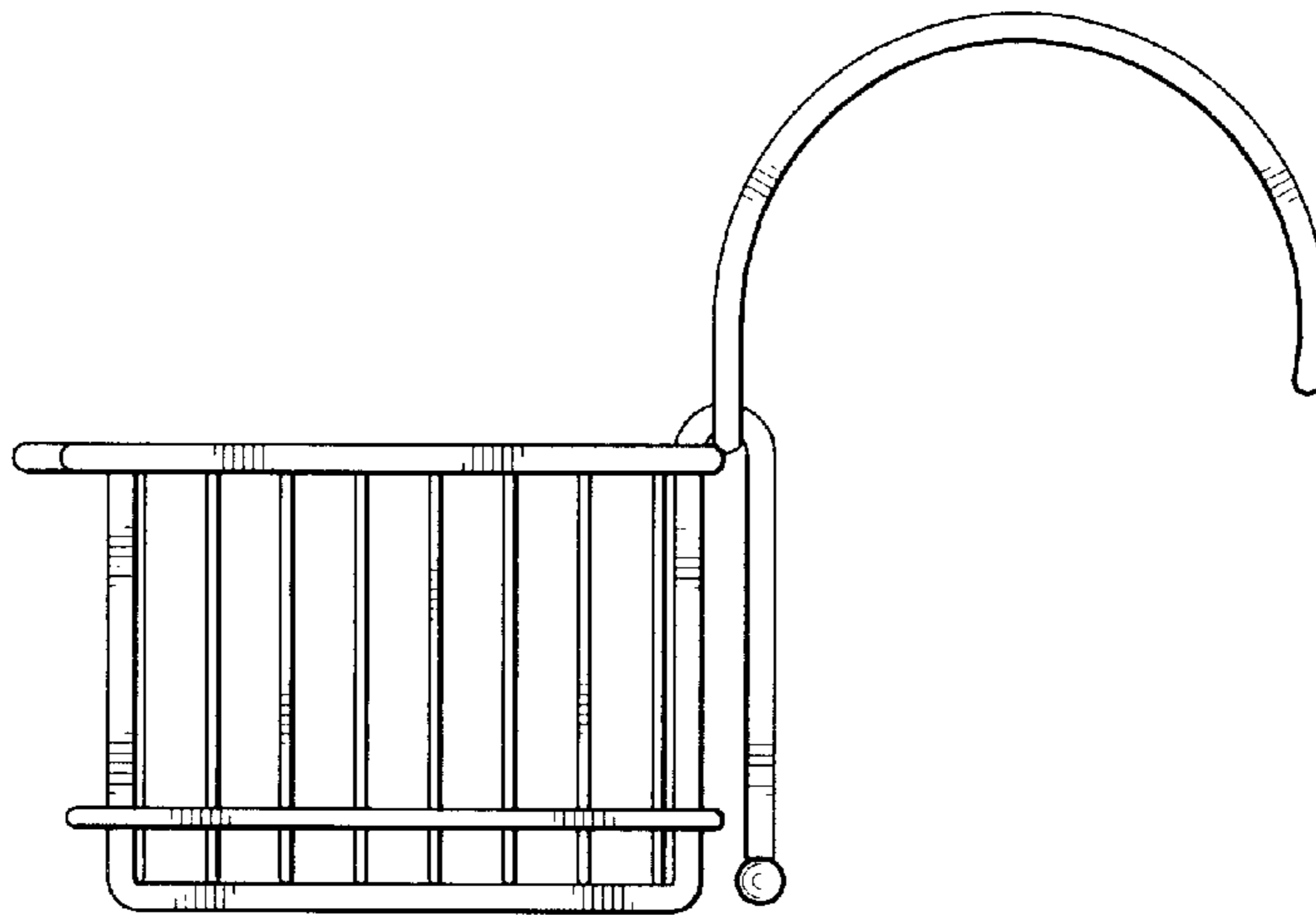


Fig-4