



US00D473082S

(12) **United States Design Patent**  
**Bollenbach**

(10) **Patent No.:** **US D473,082 S**

(45) **Date of Patent:** **\*\* Apr. 15, 2003**

(54) **CHAIR**

(76) Inventor: **Roger H. Bollenbach**, 64 Shepard Ave.,  
Saranac Lake, NY (US) 12983

(\*\*) Term: **14 Years**

(21) Appl. No.: **29/160,908**

(22) Filed: **May 18, 2002**

(51) **LOC (7) Cl.** ..... **06-06**

(52) **U.S. Cl.** ..... **D6/500; D6/370**

(58) **Field of Search** ..... **D6/334, 370, 374,**  
**D6/375, 379, 500, 501, 502; 297/445.1,**  
**452.63**

(56) **References Cited**

**U.S. PATENT DOCUMENTS**

D109,239 S	*	4/1938	Wolpin	.....	D6/370
D273,444 S	*	4/1984	Harper, Jr. et al.	.....	D6/370
D295,927 S	*	5/1988	Hickey	.....	D6/370
D319,354 S	*	8/1991	Wolcott	.....	D6/370
D350,860 S	*	9/1994	Greeson	.....	D6/370
D416,397 S	*	11/1999	Niemiec	.....	D6/370

\* cited by examiner

*Primary Examiner*—Gary D. Watson

(74) *Attorney, Agent, or Firm*—Schmeiser, Olsen & Watts

(57) **CLAIM**

The ornamental design for a chair, as shown and described.

**DESCRIPTION**

FIG. 1 is a perspective view of a chair comprising the new design;

FIG. 2 is a top view thereof;

FIG. 3 is a front view thereof;

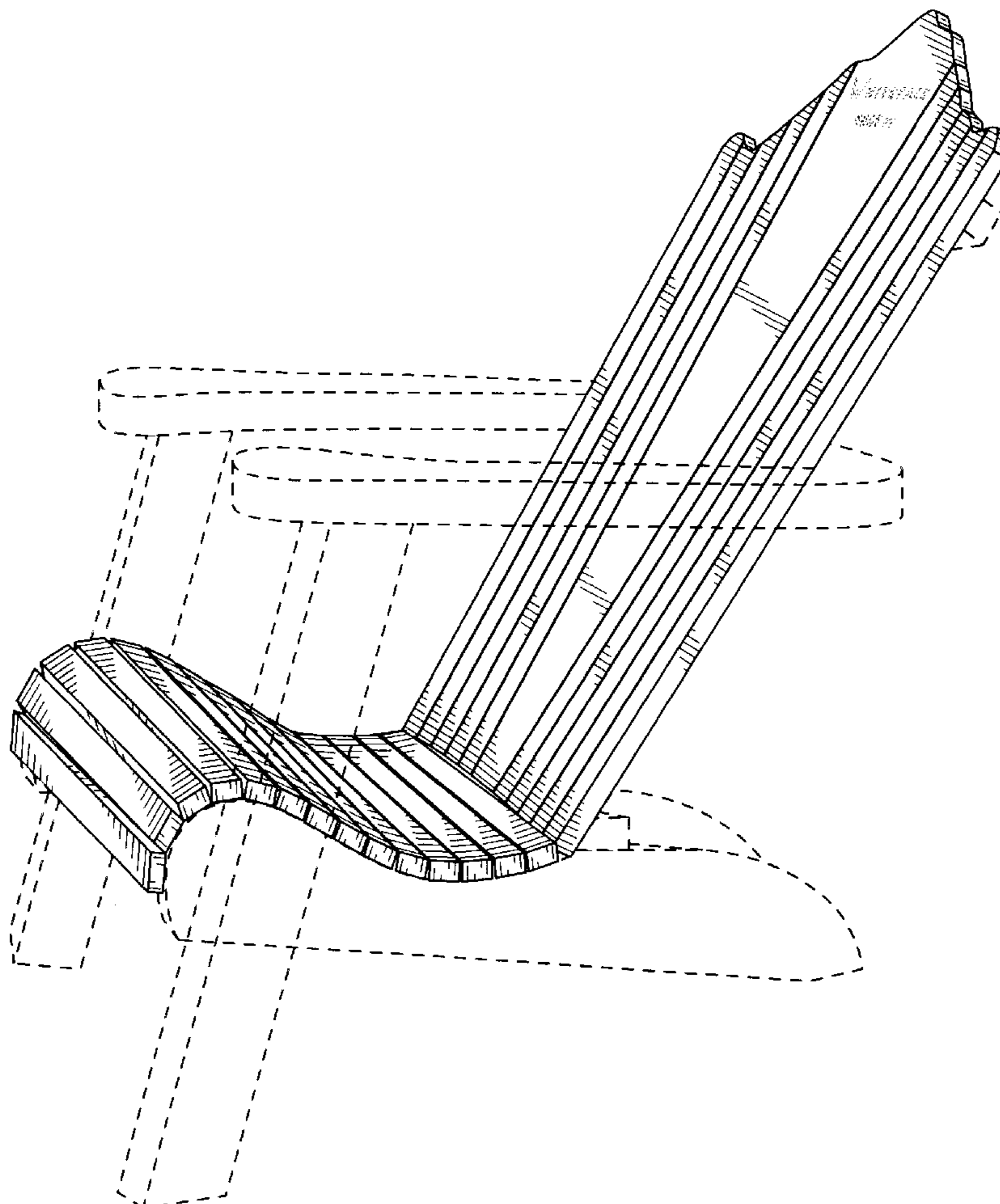
FIG. 4 is a side view, the opposite side being a mirror image thereof; and,

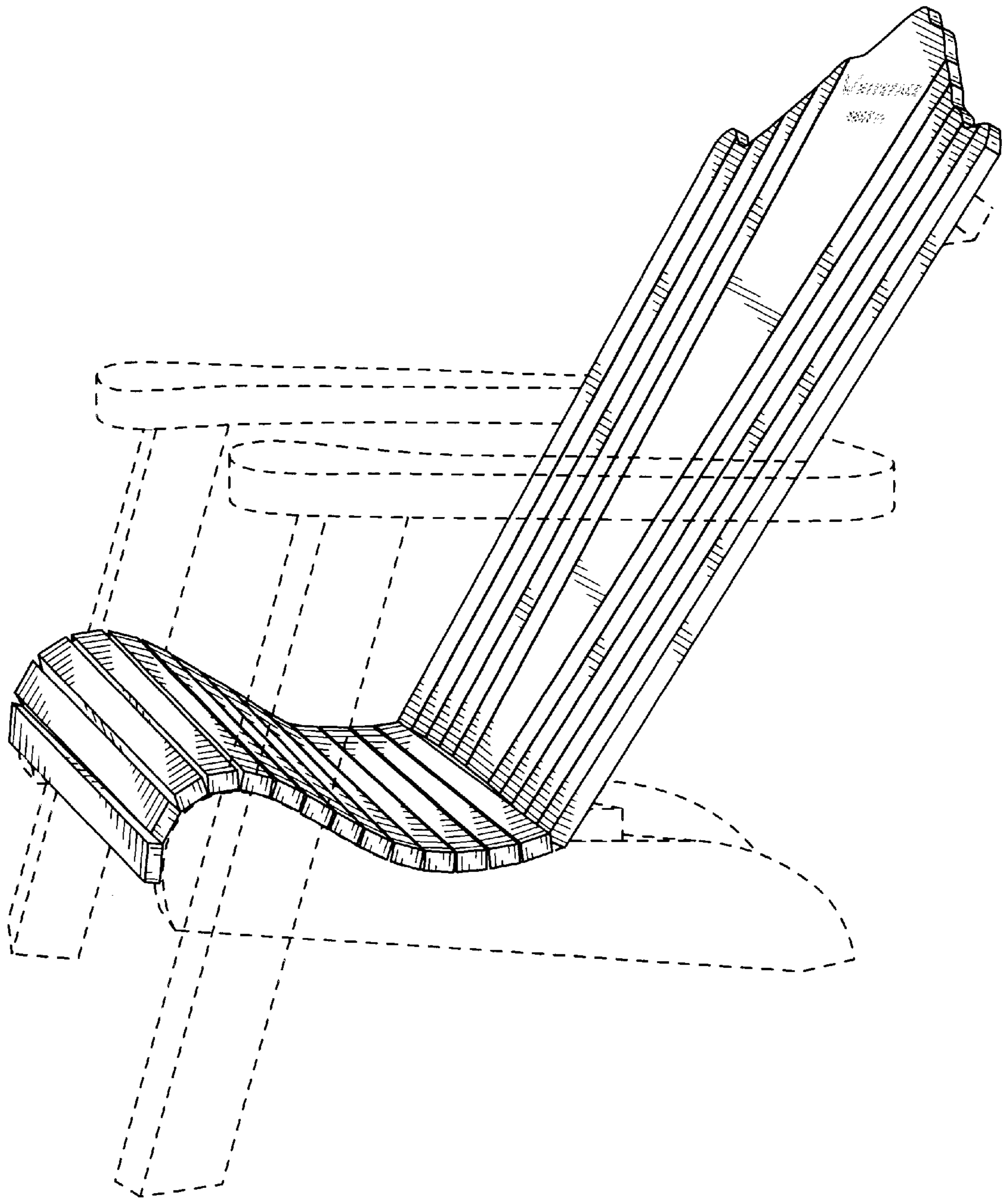
FIG. 5 is a back view thereof.

FIG. 1 has been shown on an enlarged scale with respect to FIGS. 2, 3, 4, and 5.

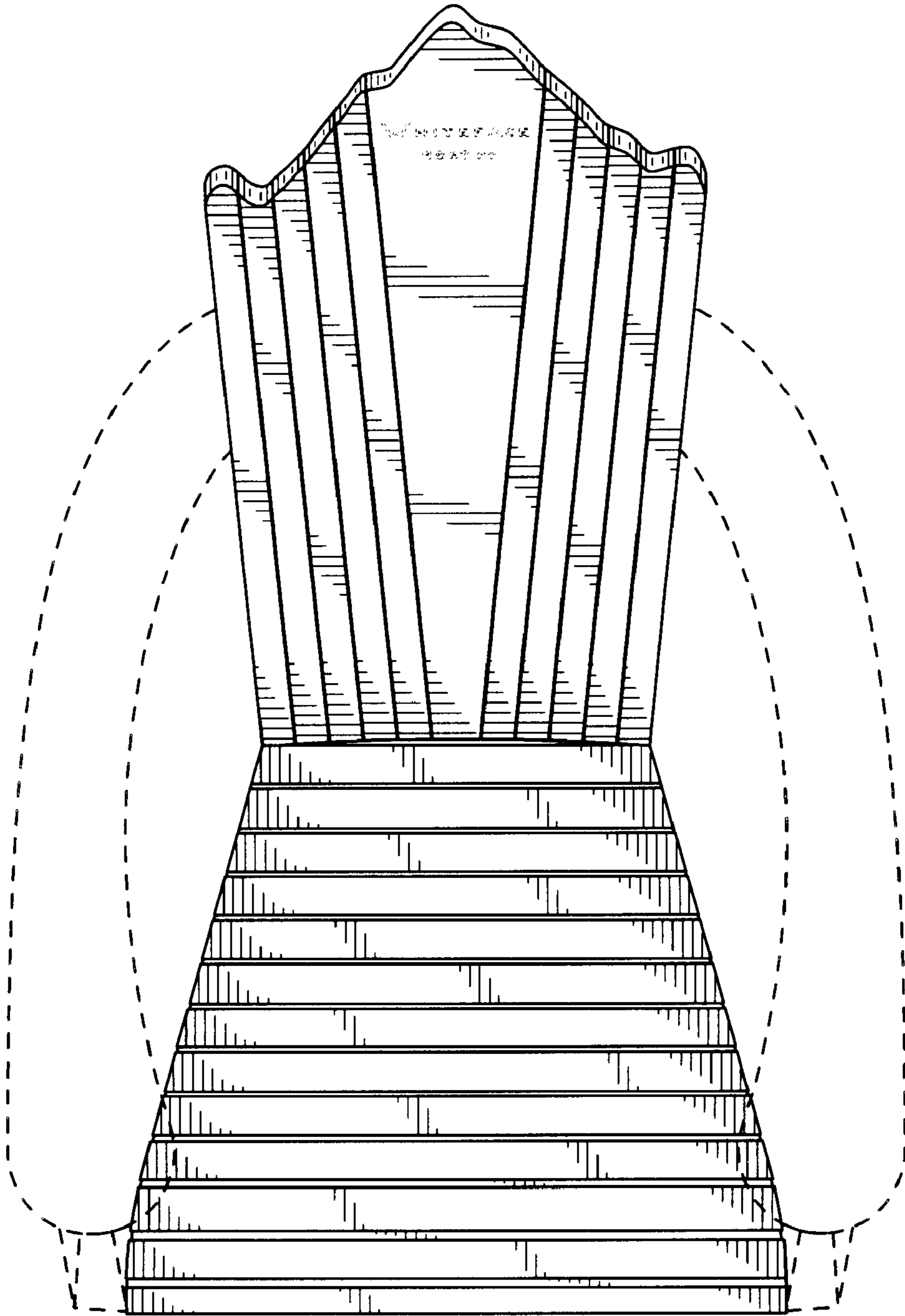
The broken lines showing the support frame of the chair and the broken line indicia on the top front of the backrest are for illustrative purposes only and form no part of the claimed design.

**1 Claim, 5 Drawing Sheets**

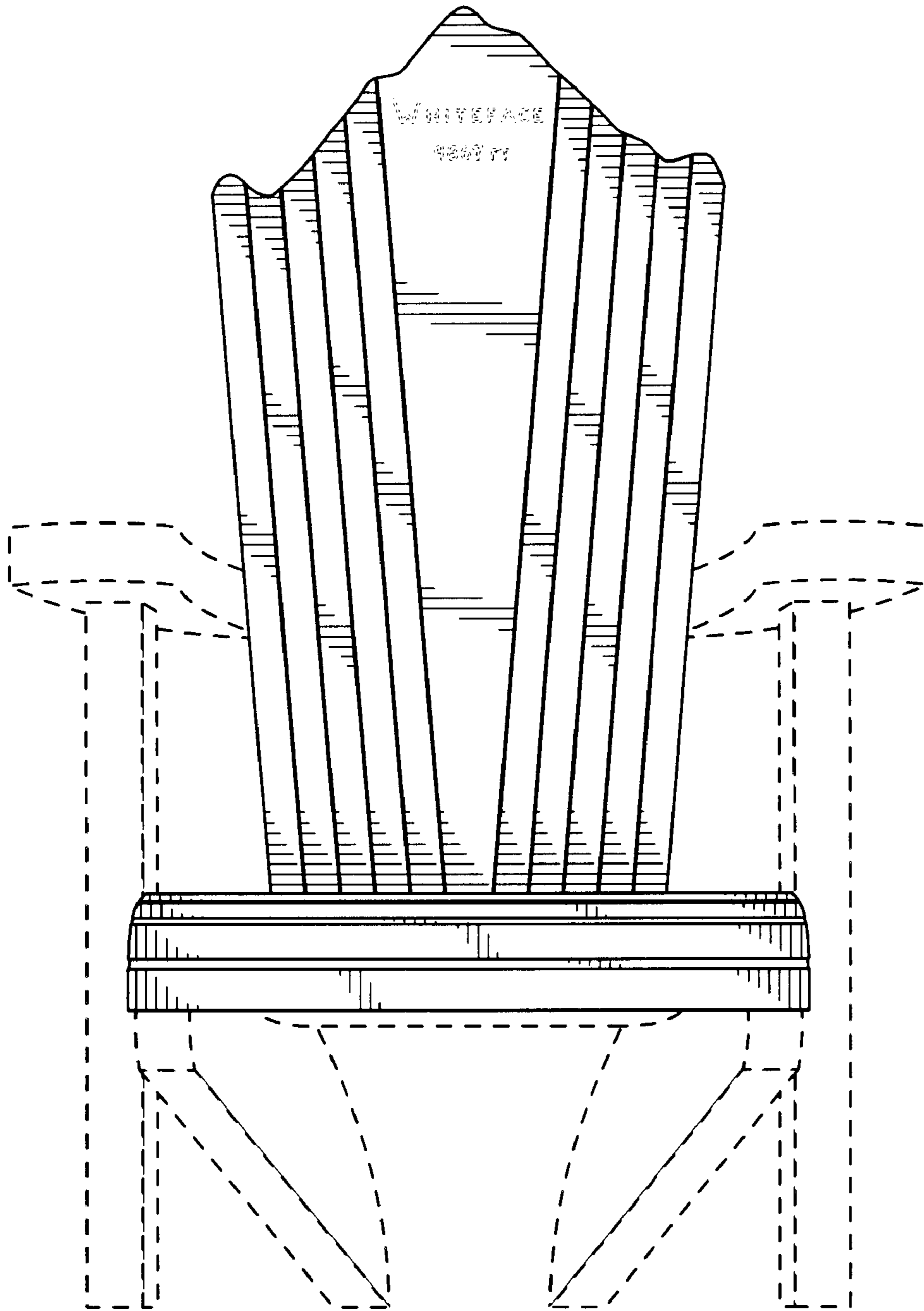




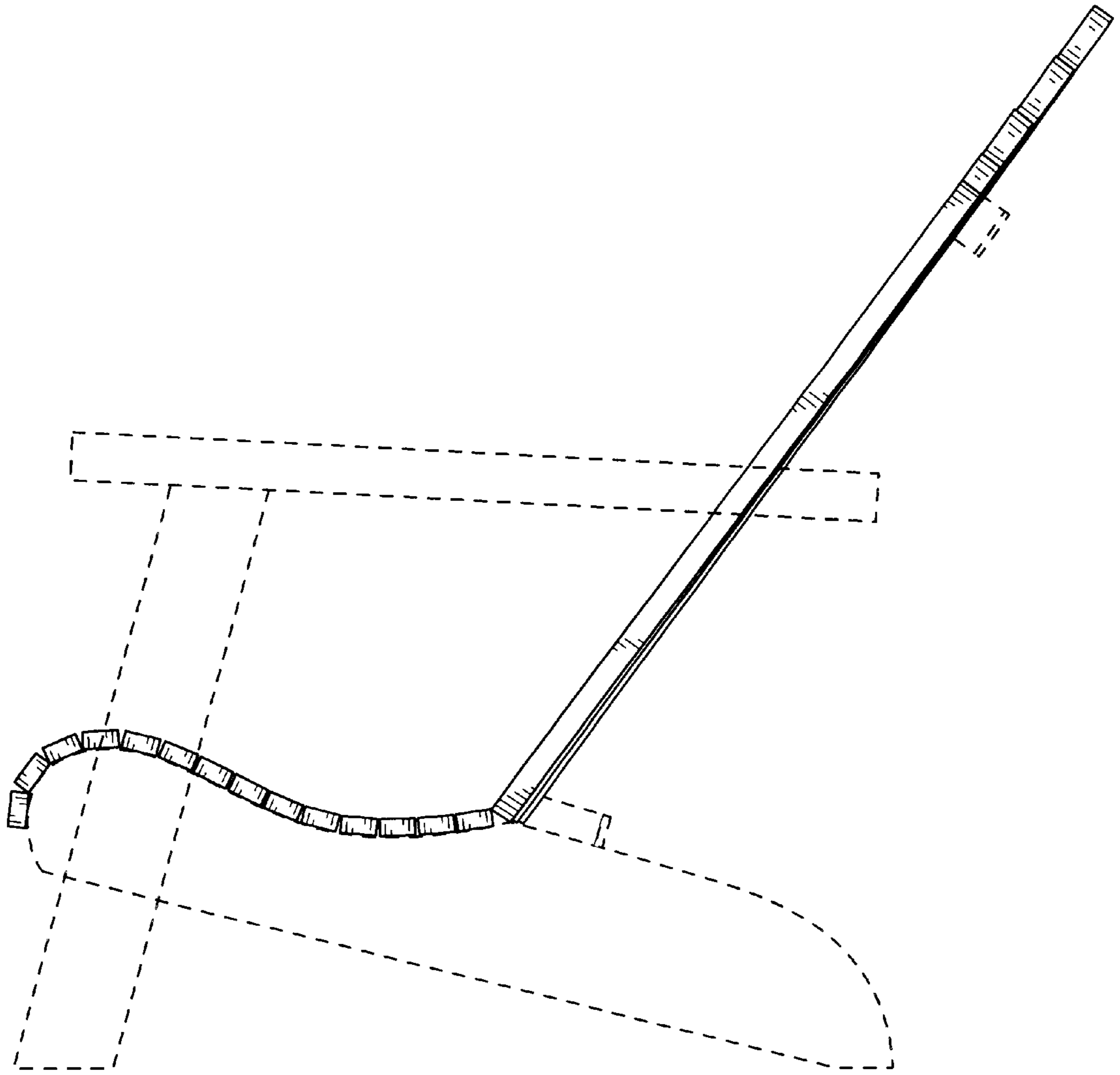
**FIG. 1**



**FIG. 2**

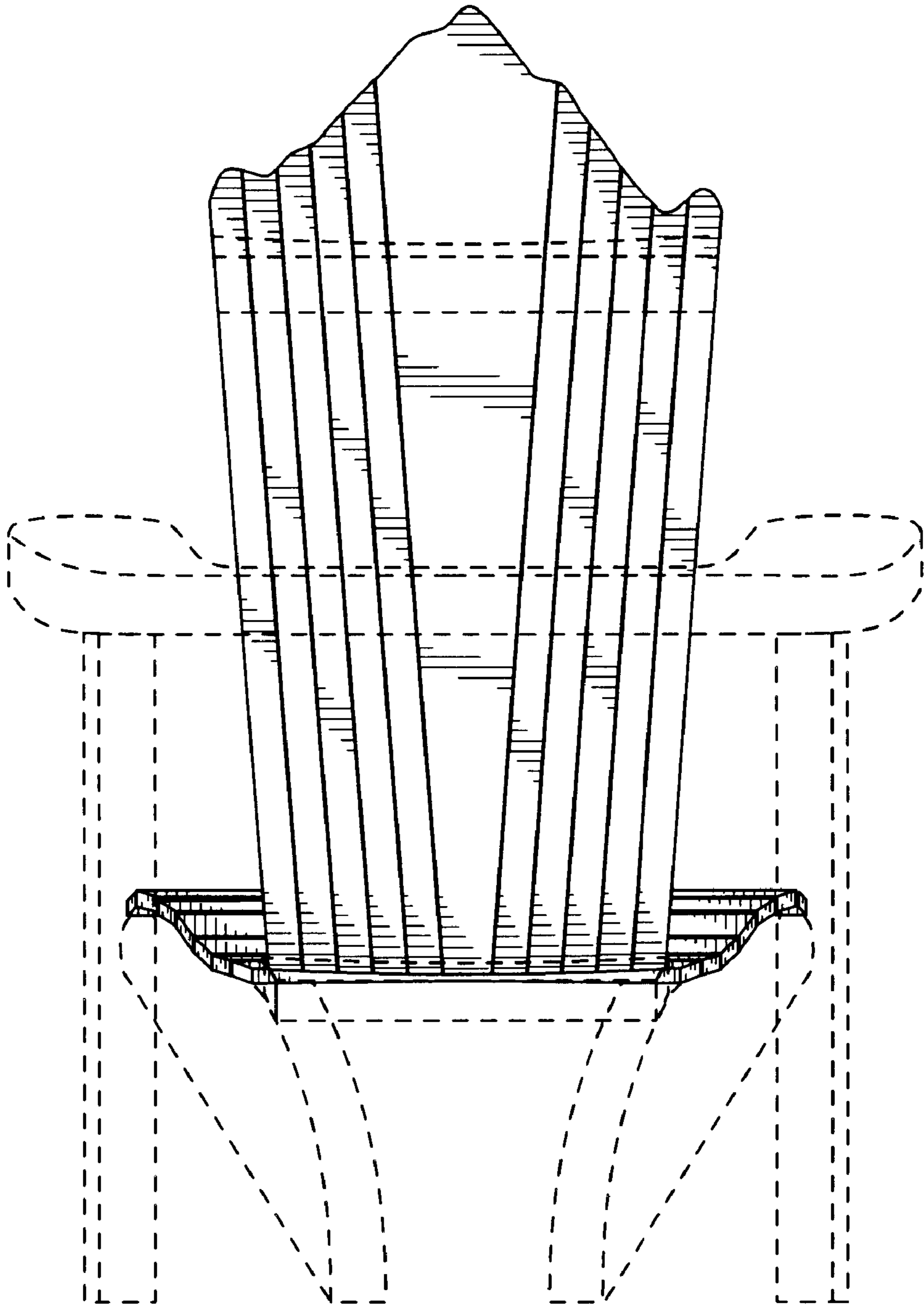


**FIG. 3**



**FIG. 4**





**FIG. 5**