



US00D473081S

(12) **United States Design Patent**  
**Kita**

(10) **Patent No.:** **US D473,081 S**

(45) **Date of Patent:** **\*\* Apr. 15, 2003**

(54) **CHAIR**

(76) Inventor: **Toshiyuki Kita**, L.D.K. Design  
Laboratory Ltd., TS BILD. 2F 3.1.2.,  
Temma Kita-ku, Osaka (JP)

(\*\*) Term: **14 Years**

(21) Appl. No.: **29/141,839**

(22) Filed: **May 14, 2001**

(30) **Foreign Application Priority Data**

Nov. 14, 2000 (JP) ..... 2000-032471

(51) **LOC (7) Cl.** ..... **06-06**

(52) **U.S. Cl.** ..... **D6/500; D6/498**

(58) **Field of Search** ..... D6/334, 364, 365,  
D6/366, 367, 498, 500, 501, 502; 248/188,  
188.1, 188.7, 188.8, 188.9; 297/358, 411.2

(56) **References Cited**

**U.S. PATENT DOCUMENTS**

D113,191 S	*	1/1939	Salomon	.....	D6/366
D127,977 S	*	7/1941	Shepherd	.....	D6/366
3,086,741 A	*	4/1963	Cramer, Jr.	.....	248/188.7
D244,972 S	*	7/1977	Lübke	.....	D6/366
D253,677 S	*	12/1979	Lübke	.....	D6/366
D274,864 S	*	7/1984	Diffrient	.....	D6/366
D438,392 S	*	3/2001	Lucci et al.	.....	D6/366

**OTHER PUBLICATIONS**

Domus, wheels at right, Jan. 1998.\*

\* cited by examiner

*Primary Examiner*—Gary D. Watson

(74) *Attorney, Agent, or Firm*—Levisohn, Lerner, Berger &  
Langsam, LLP

(57) **CLAIM**

The ornamental design for a chair, as shown and described.

**DESCRIPTION**

FIG. 1 is a perspective view of a first embodiment of the chair design of this invention

FIG. 2 is a front elevational view of the first embodiment of the chair design of this invention;

FIG. 3 is a rear elevation view of the first embodiment of the chair design of this invention;

FIG. 4 is a right side elevation view of the first embodiment of the chair design of this invention;

FIG. 5 is a left side elevation view of the first embodiment of the chair design of this invention;

FIG. 6 is a top plan view of the first embodiment of the chair design of this invention;

FIG. 7 is a bottom plan view of the first embodiment of the chair design of this invention;

FIG. 8 is a perspective view of a second embodiment of the chair design of this invention

FIG. 9 is a front elevational view of the second embodiment of the chair design of this invention;

FIG. 10 is a rear elevation view of the second embodiment of the chair design of this invention;

FIG. 11 is a right side elevation view of the second embodiment of the chair design of this invention;

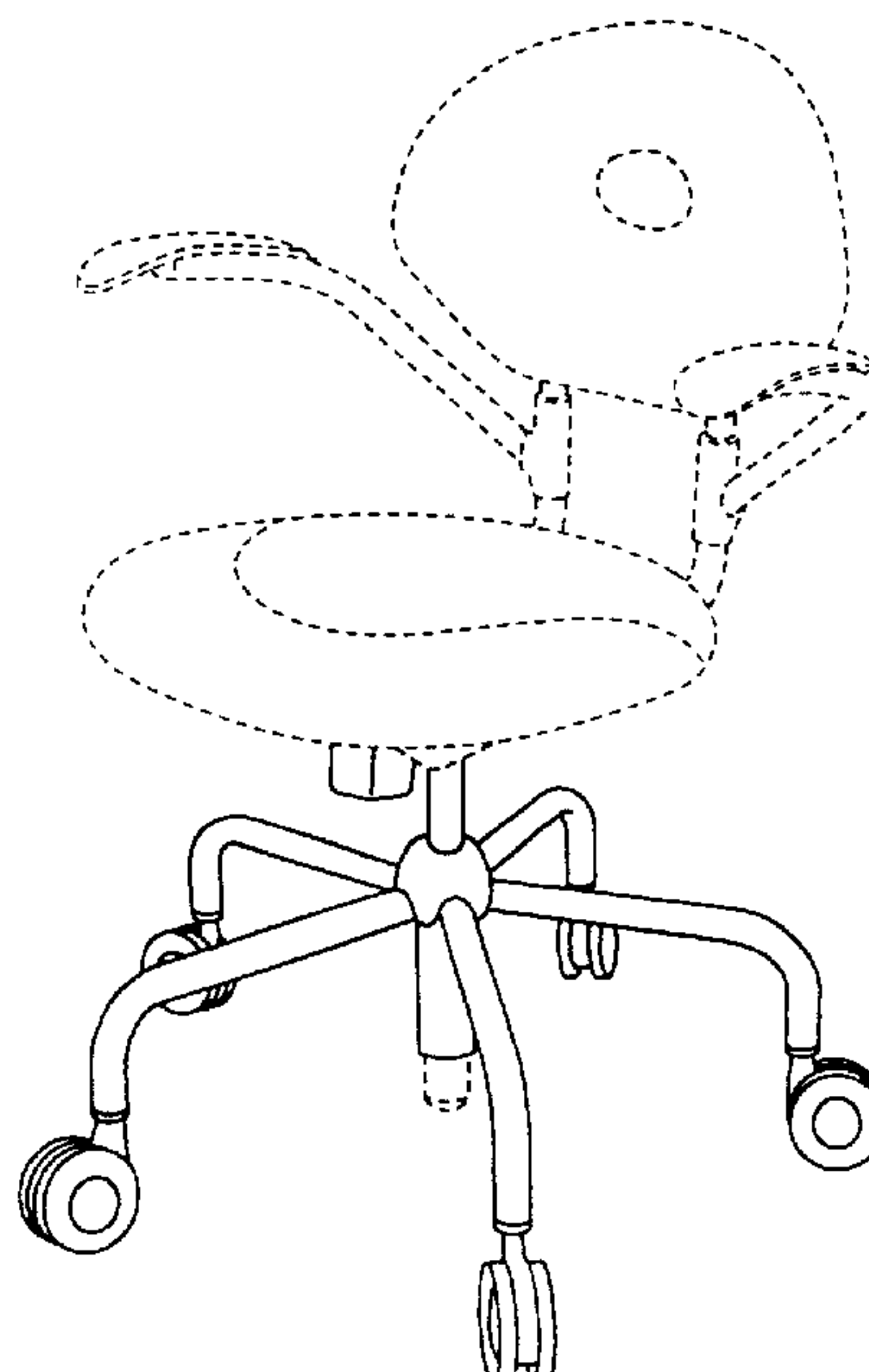
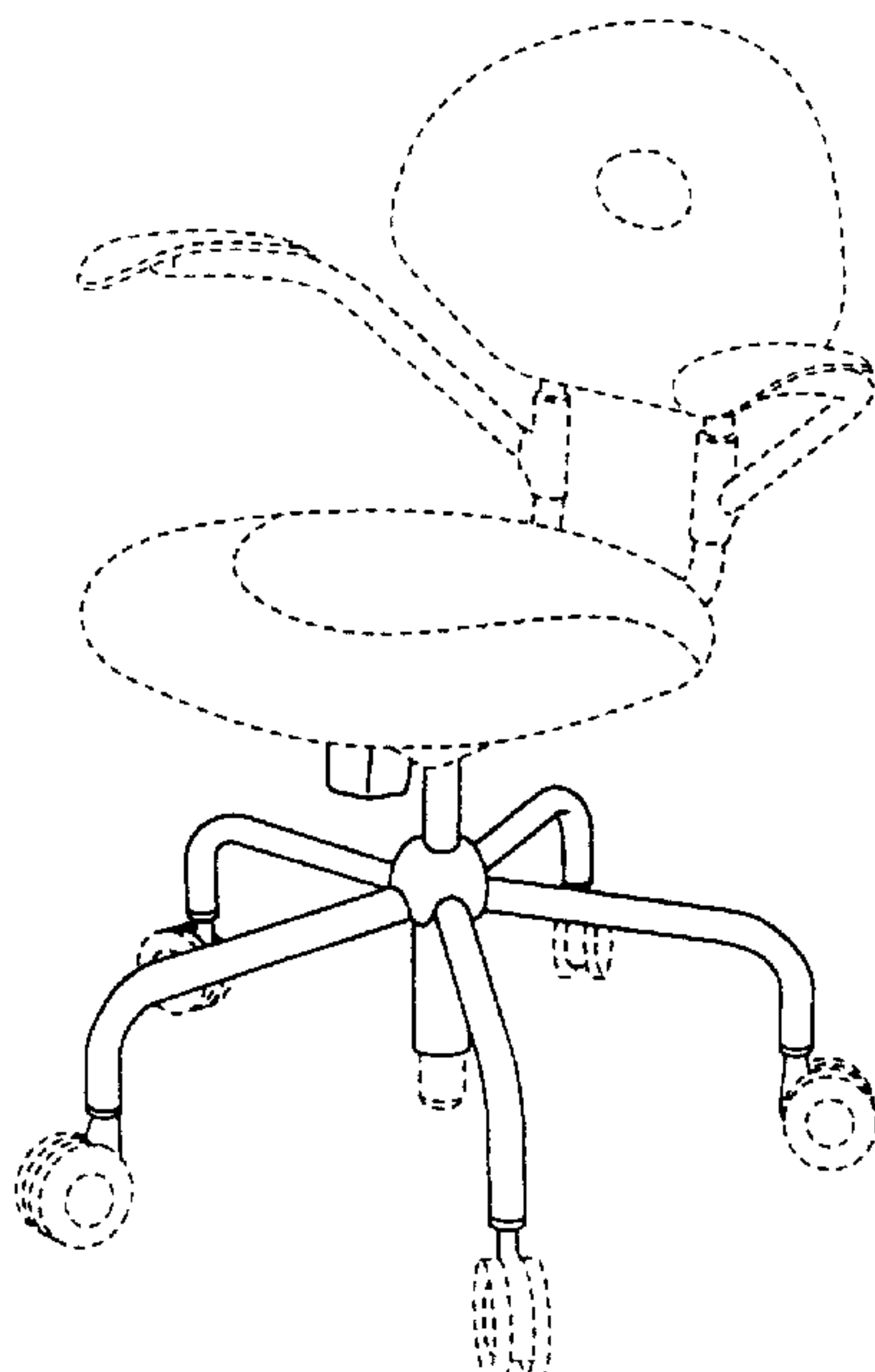
FIG. 12 is a left side elevation view of the second embodiment of the chair design of this invention;

FIG. 13 is a top plan view of the second embodiment of the chair design of this invention; and,

FIG. 14 is a bottom plan view of the second embodiment of the chair design of this invention.

The broken lines shown in the figures are for environmental purposes only and do not form a part of the claimed design.

**1 Claim, 14 Drawing Sheets**



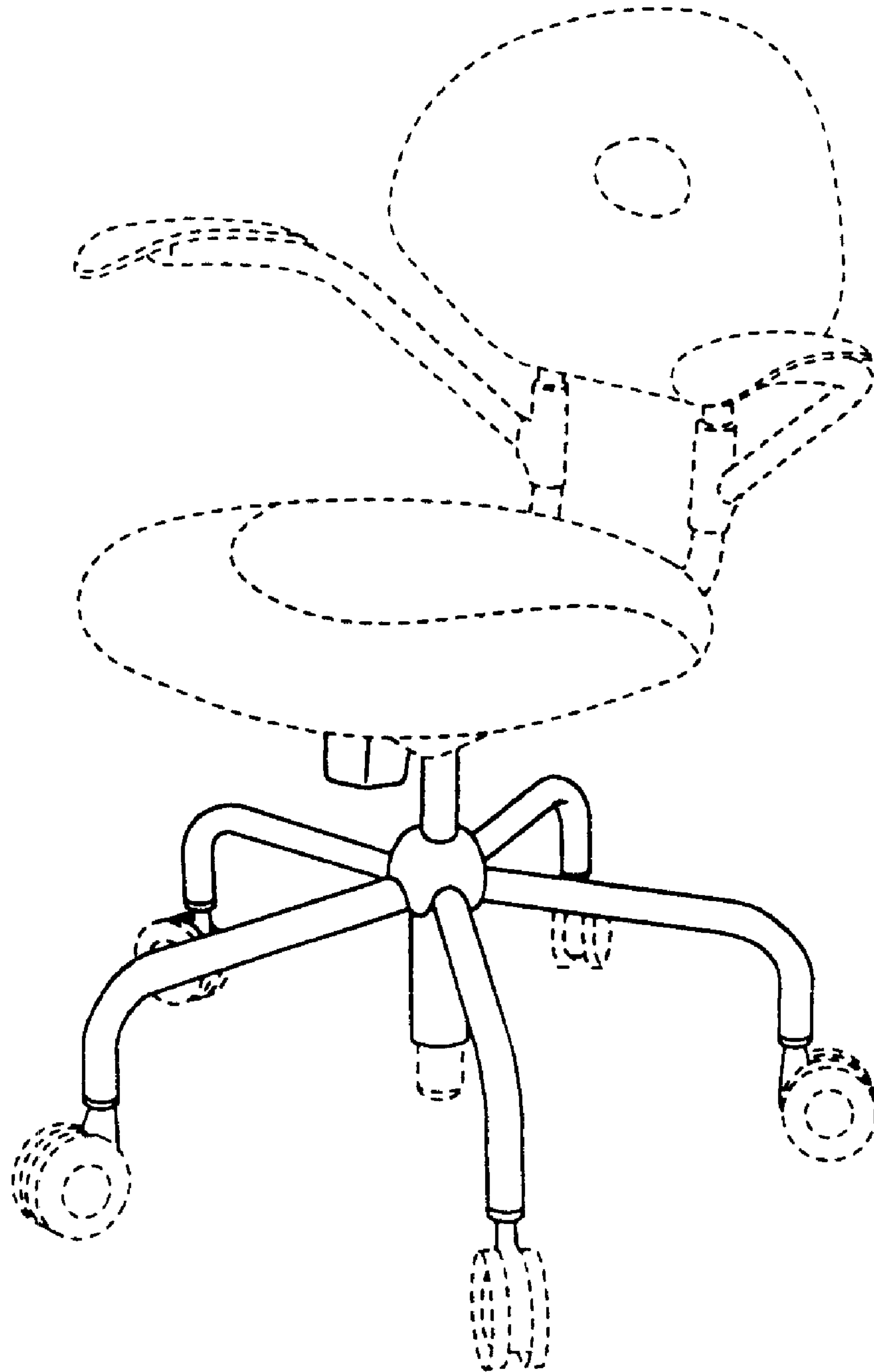


FIG. 1

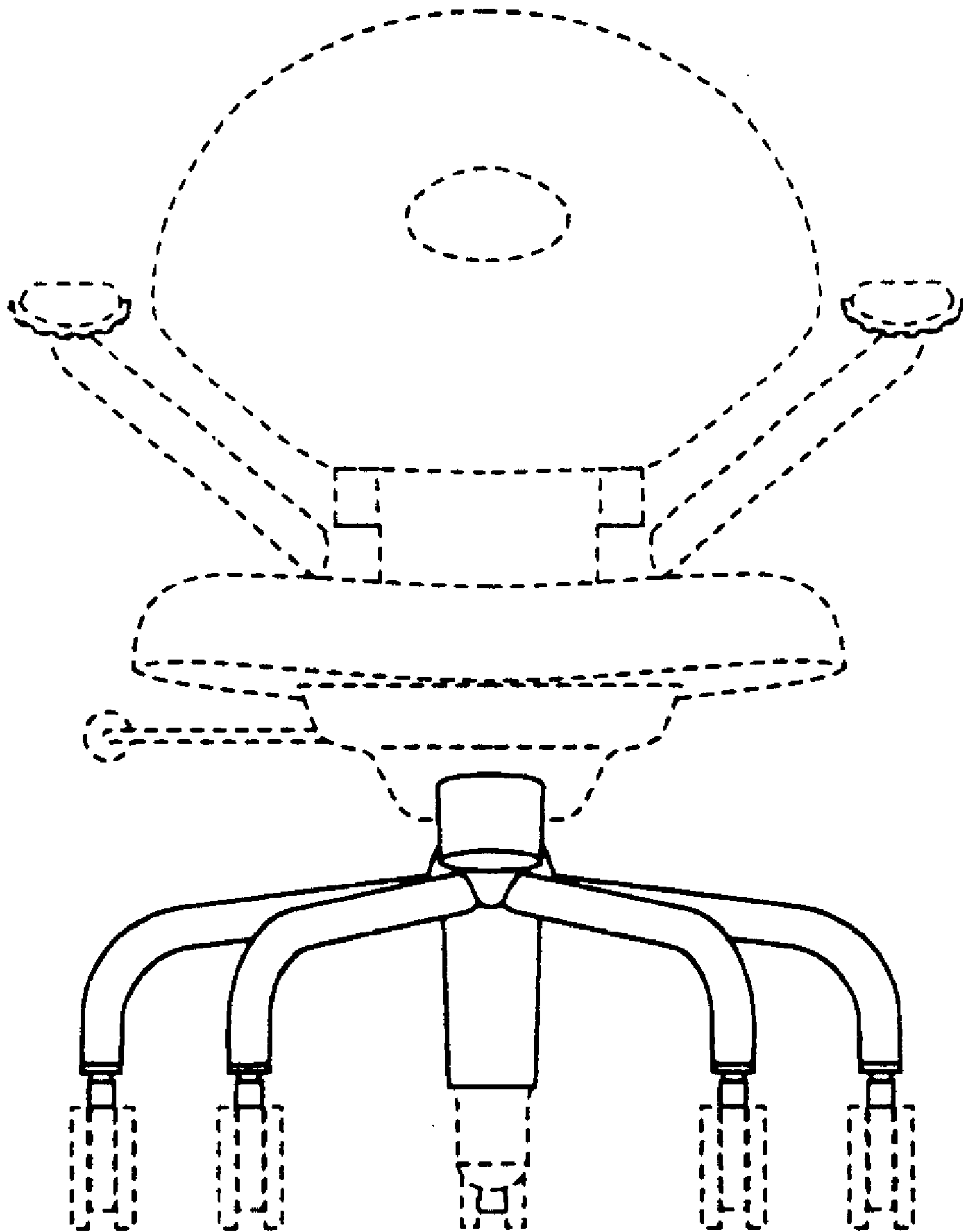


FIG. 2

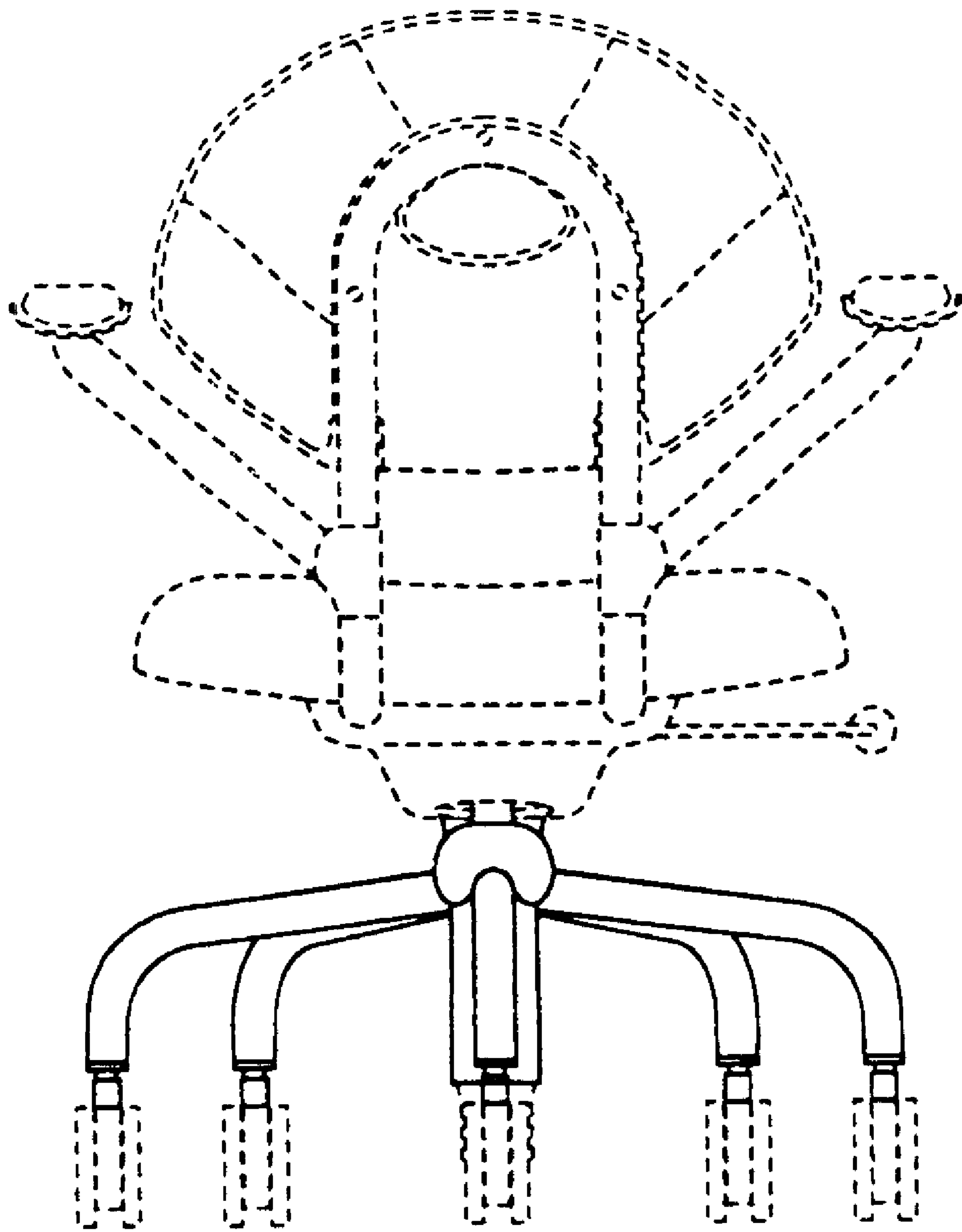


FIG. 3

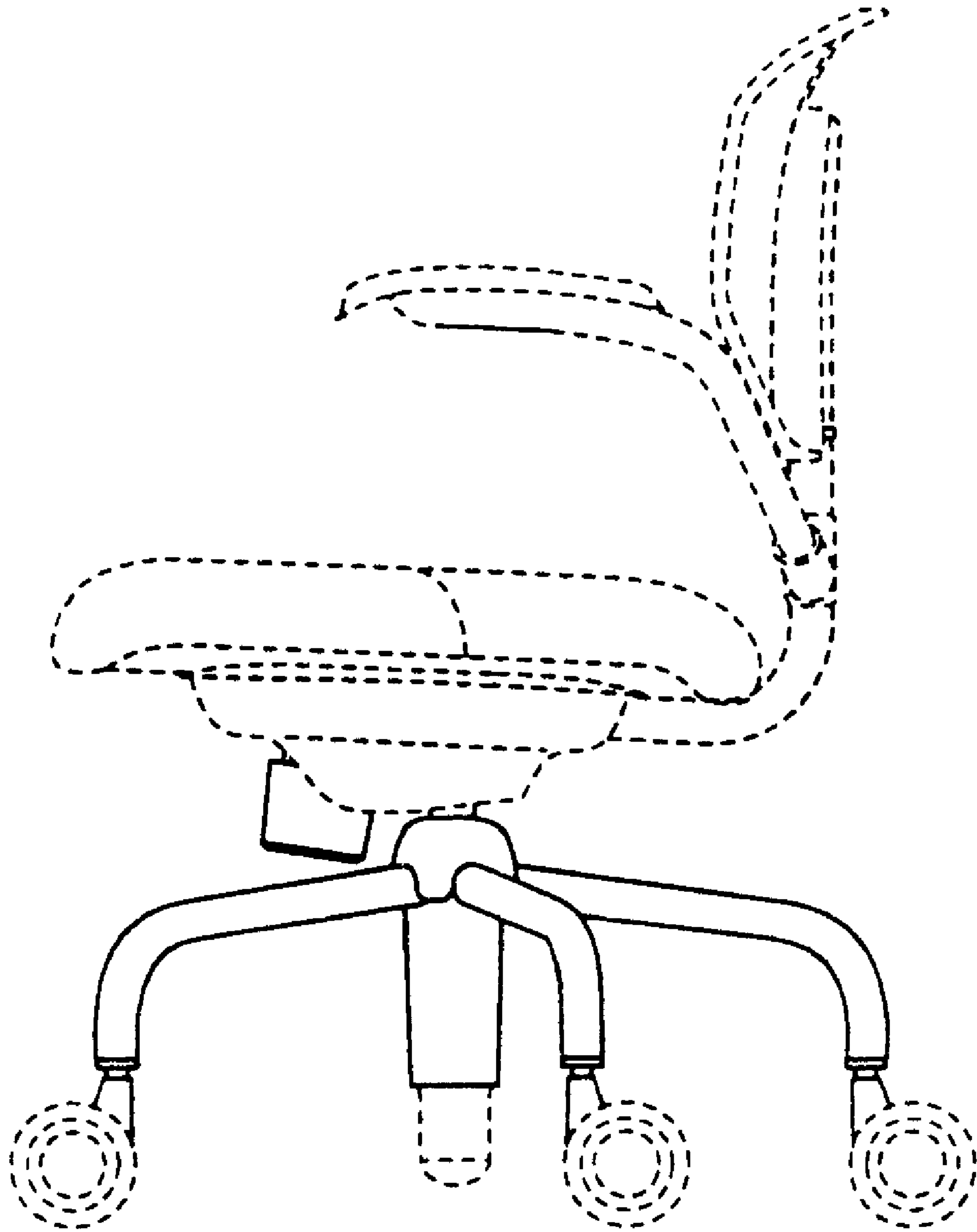


FIG. 4

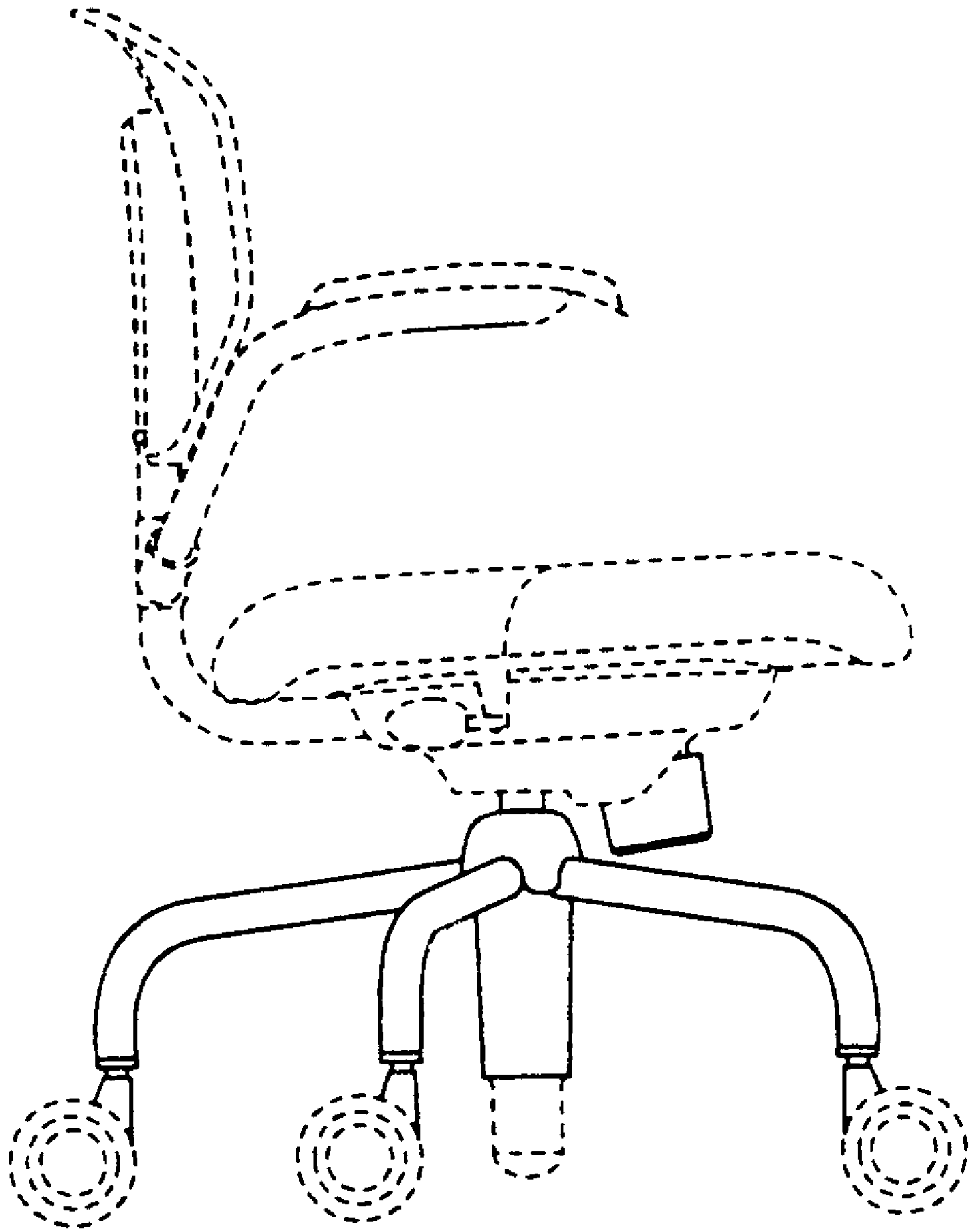


FIG. 5

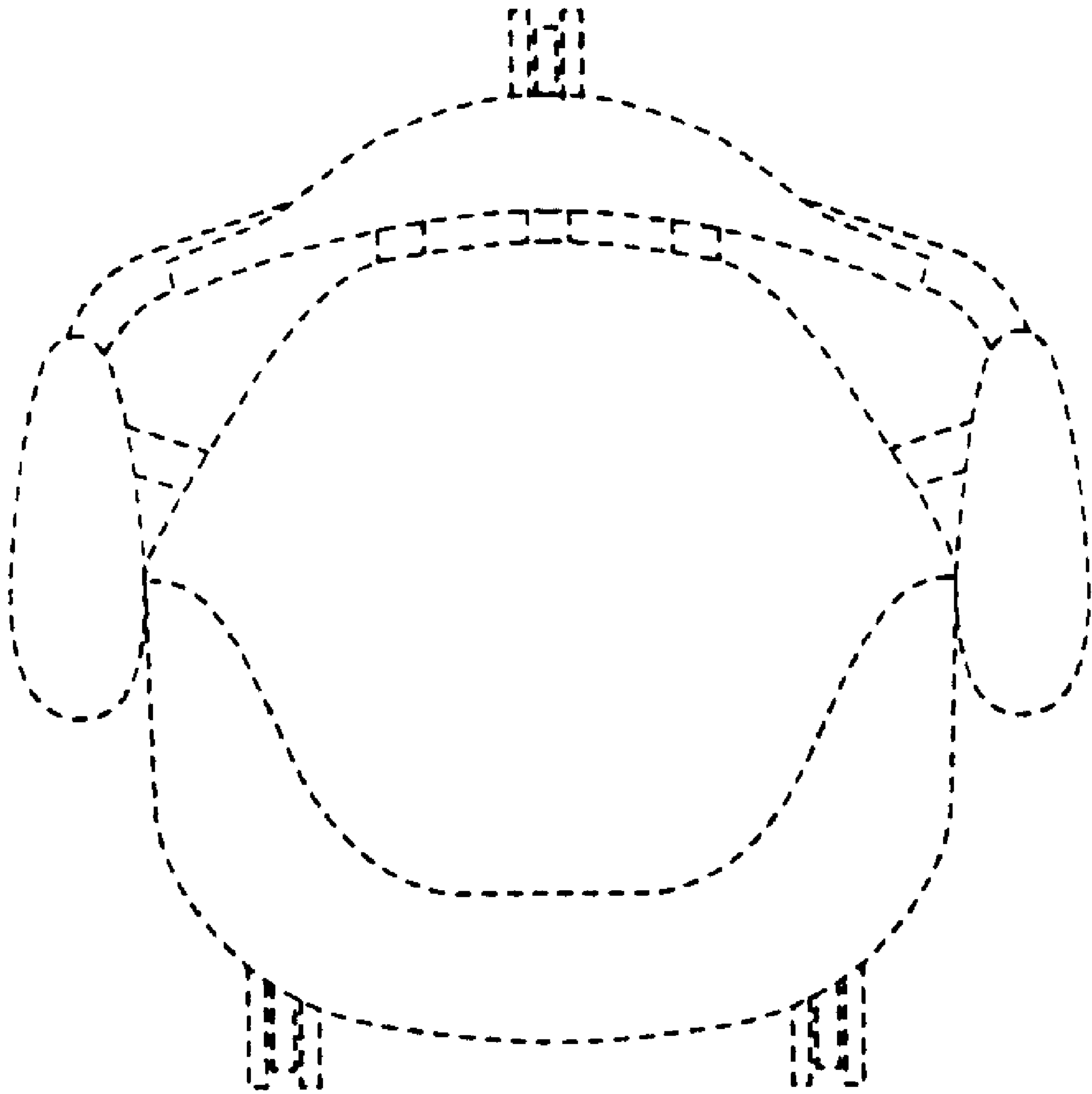


FIG. 6



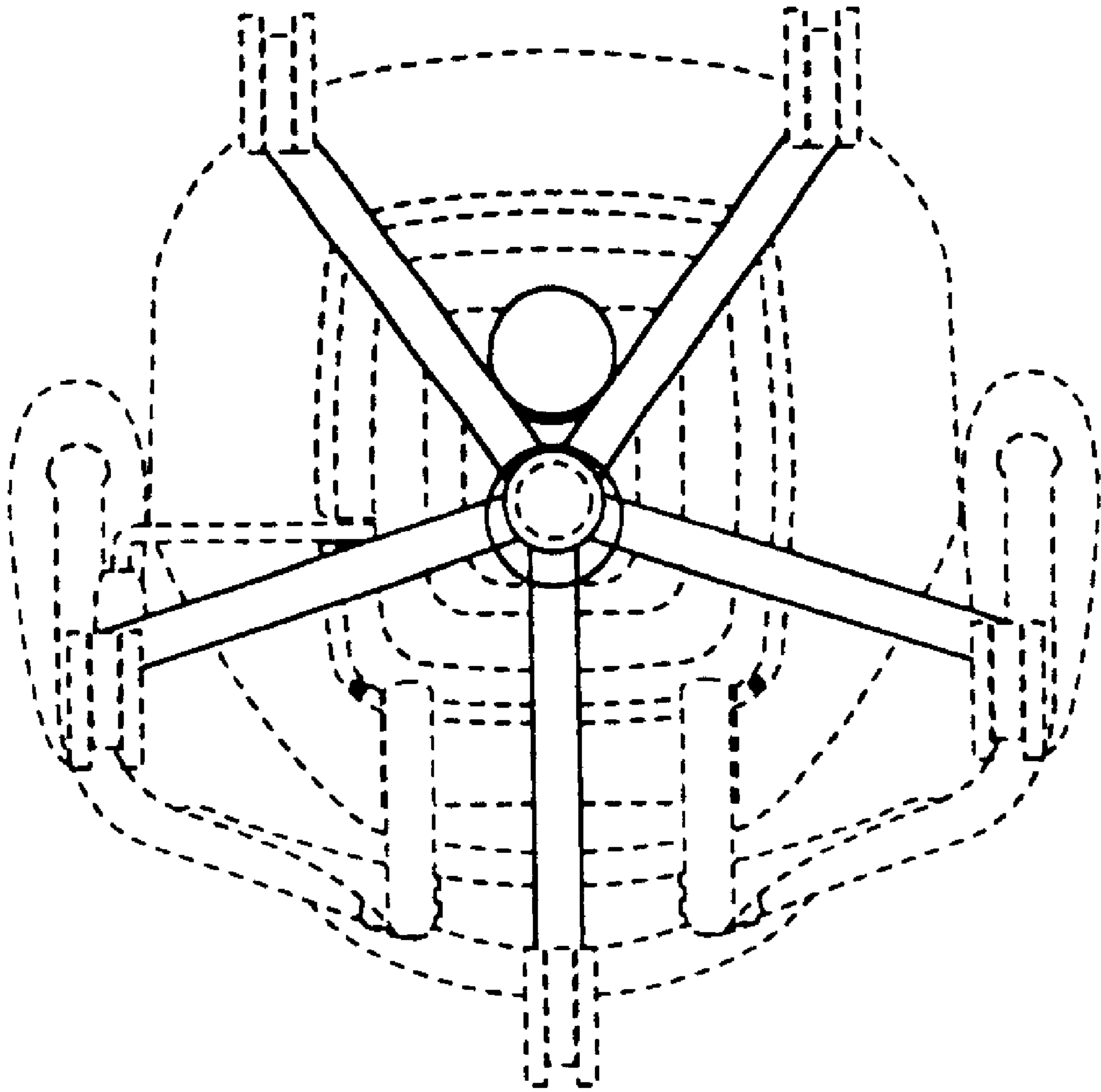


FIG. 7



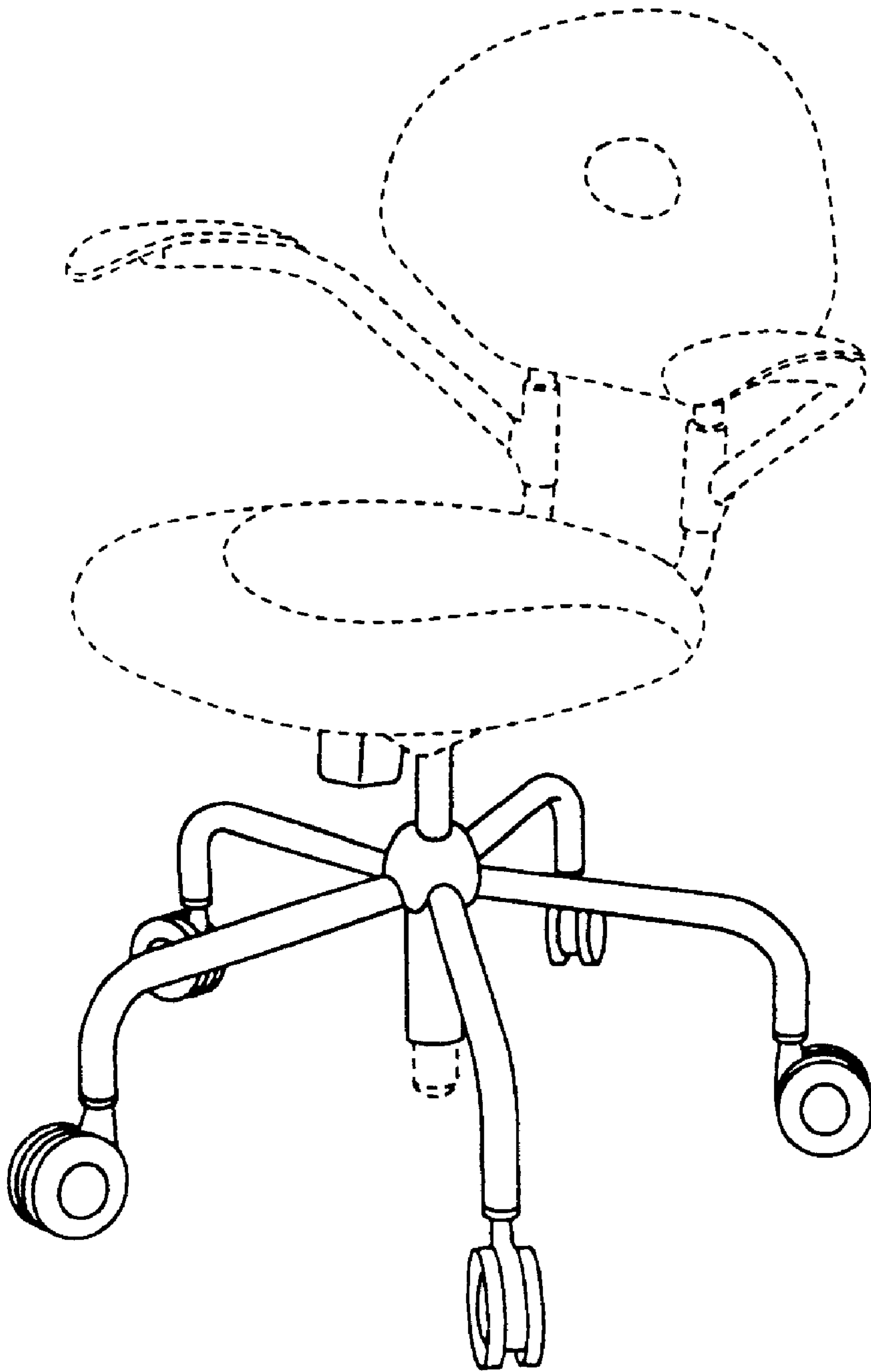


FIG. 8

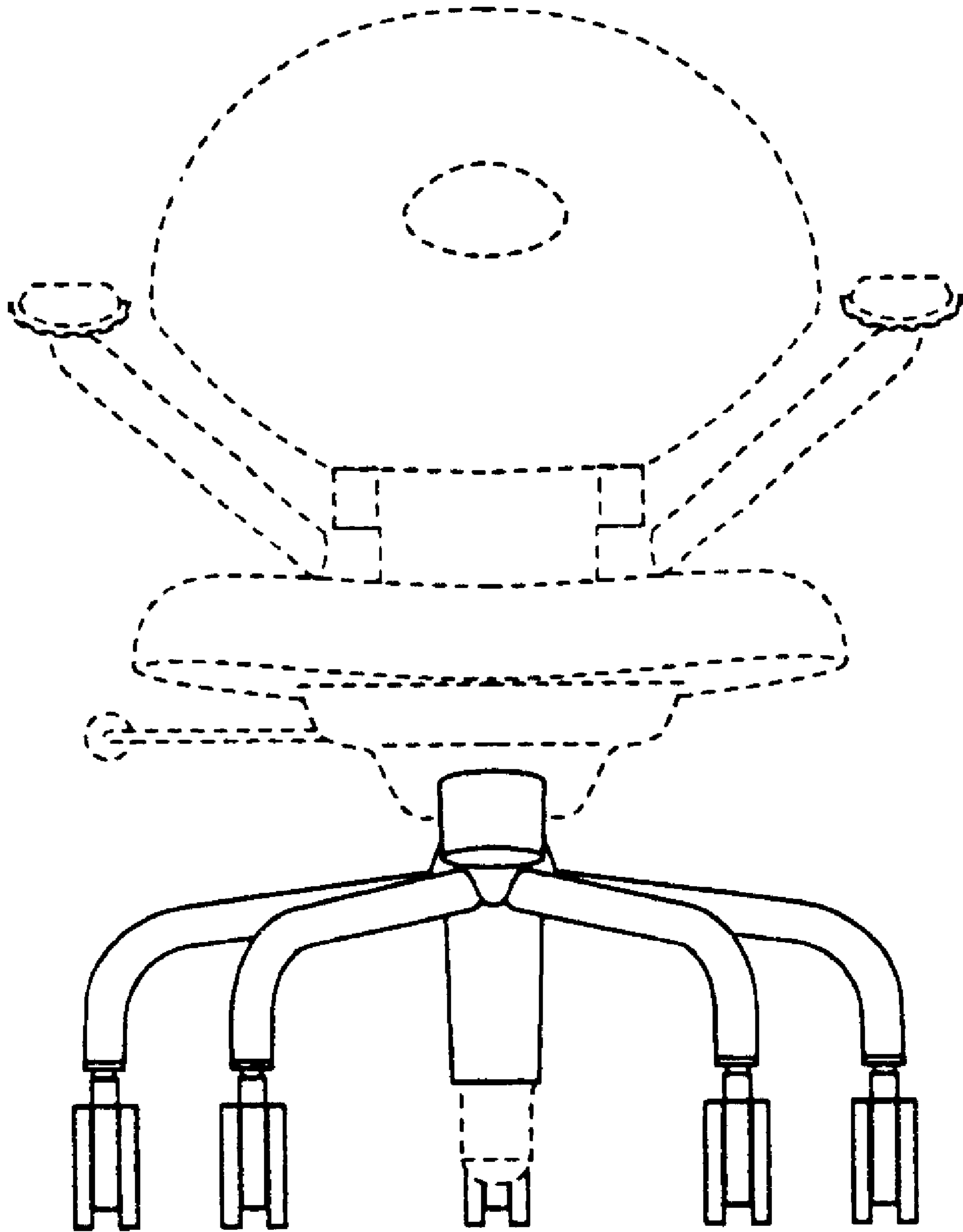


FIG. 9

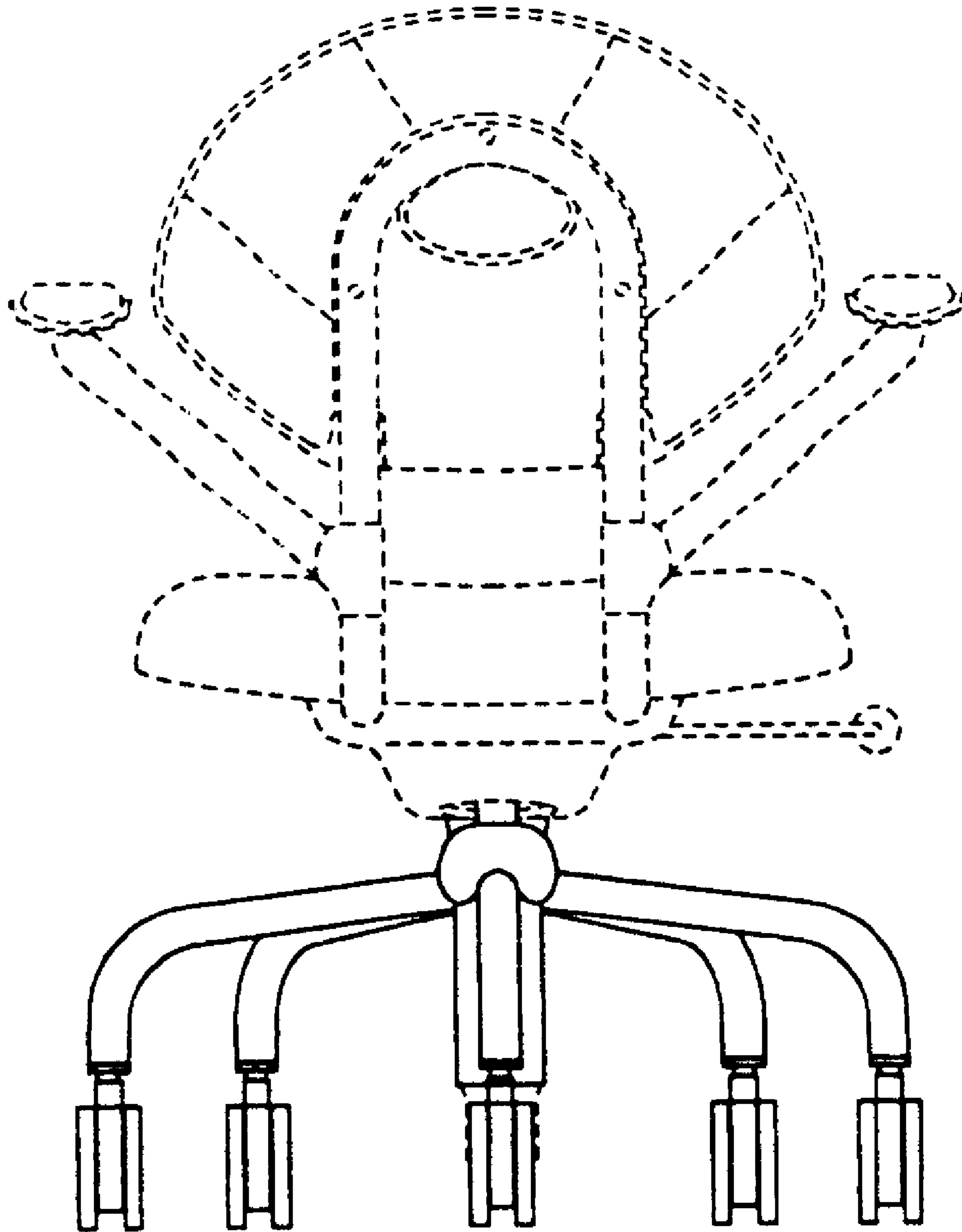


FIG. 10

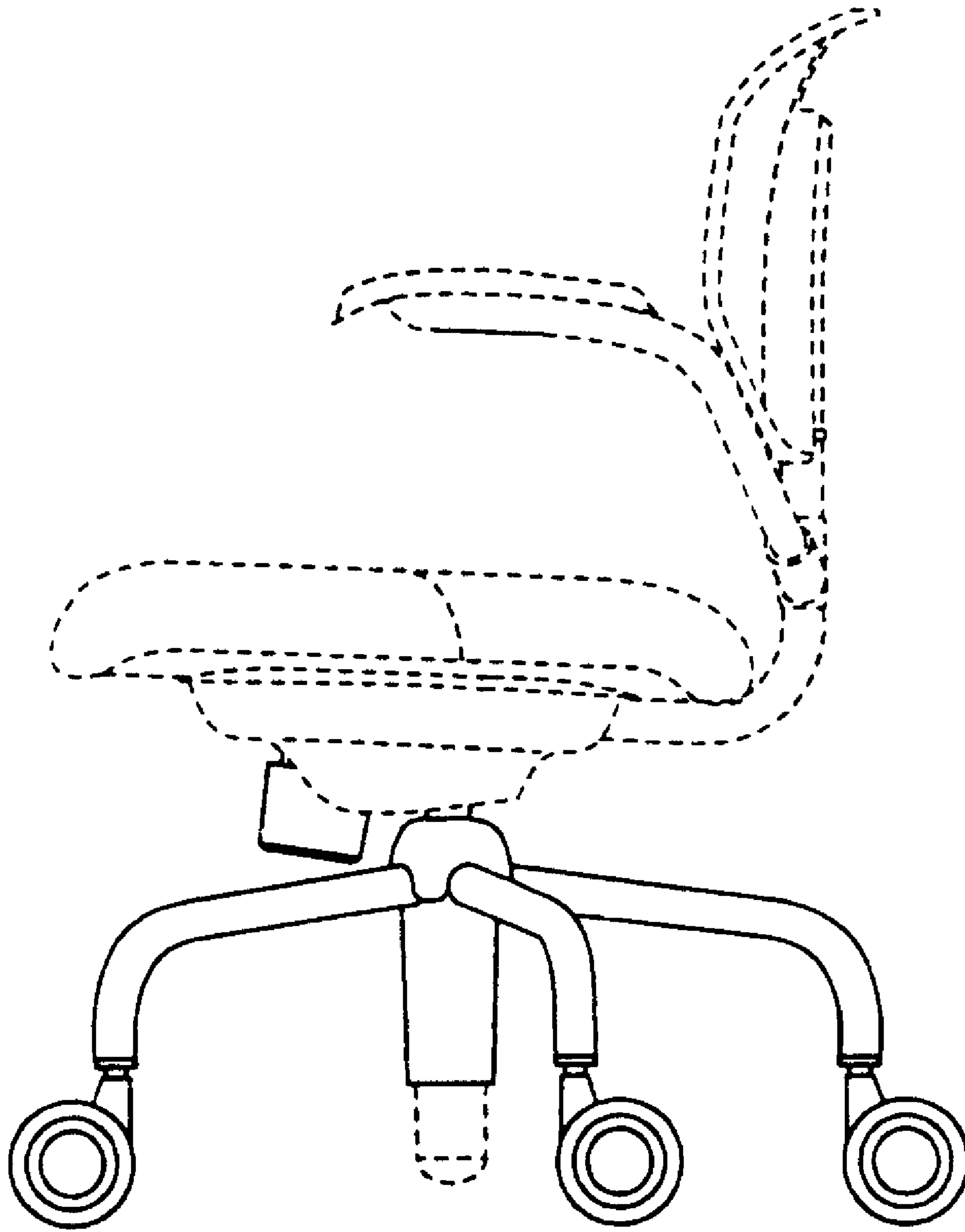


FIG. 11

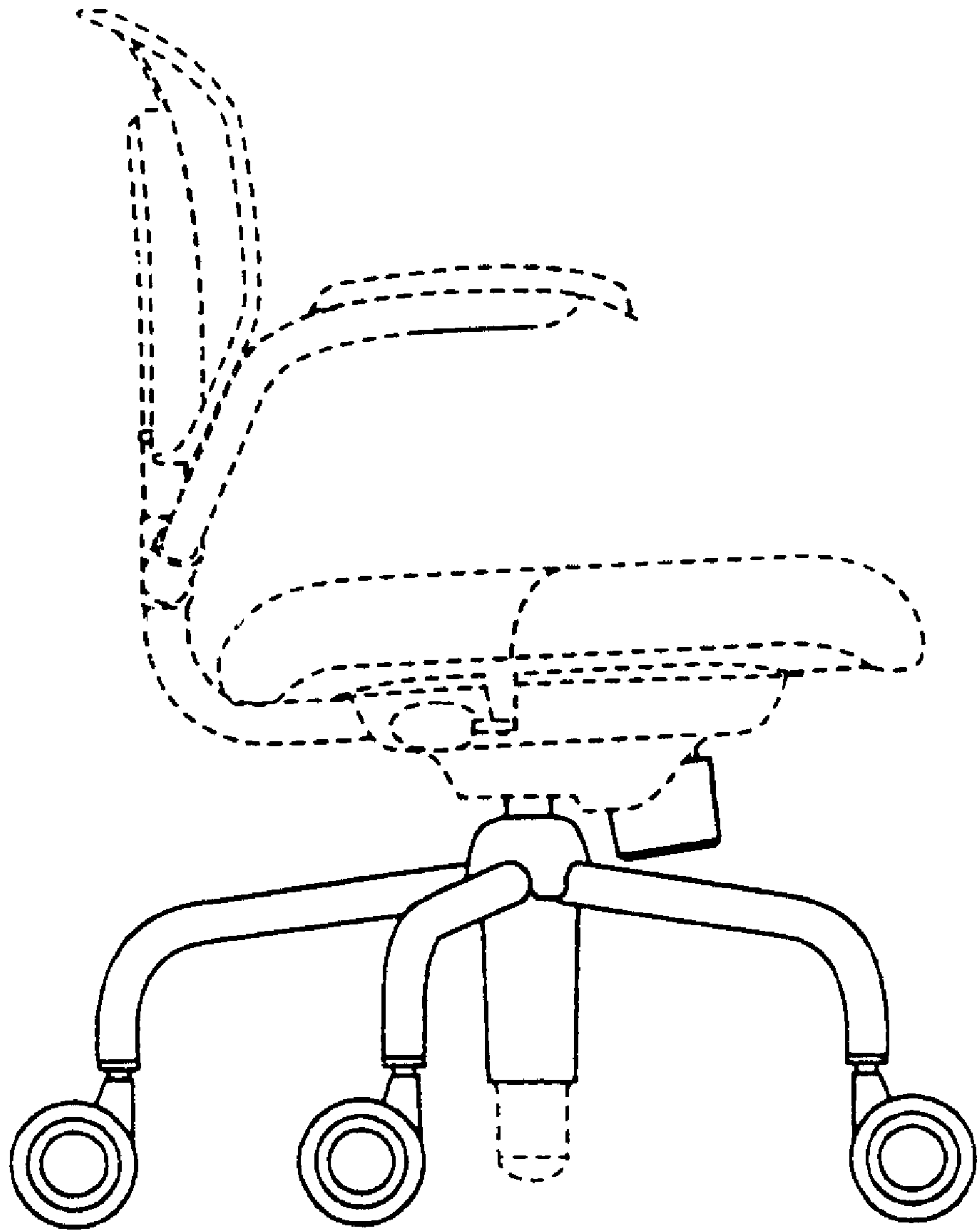


FIG. 12

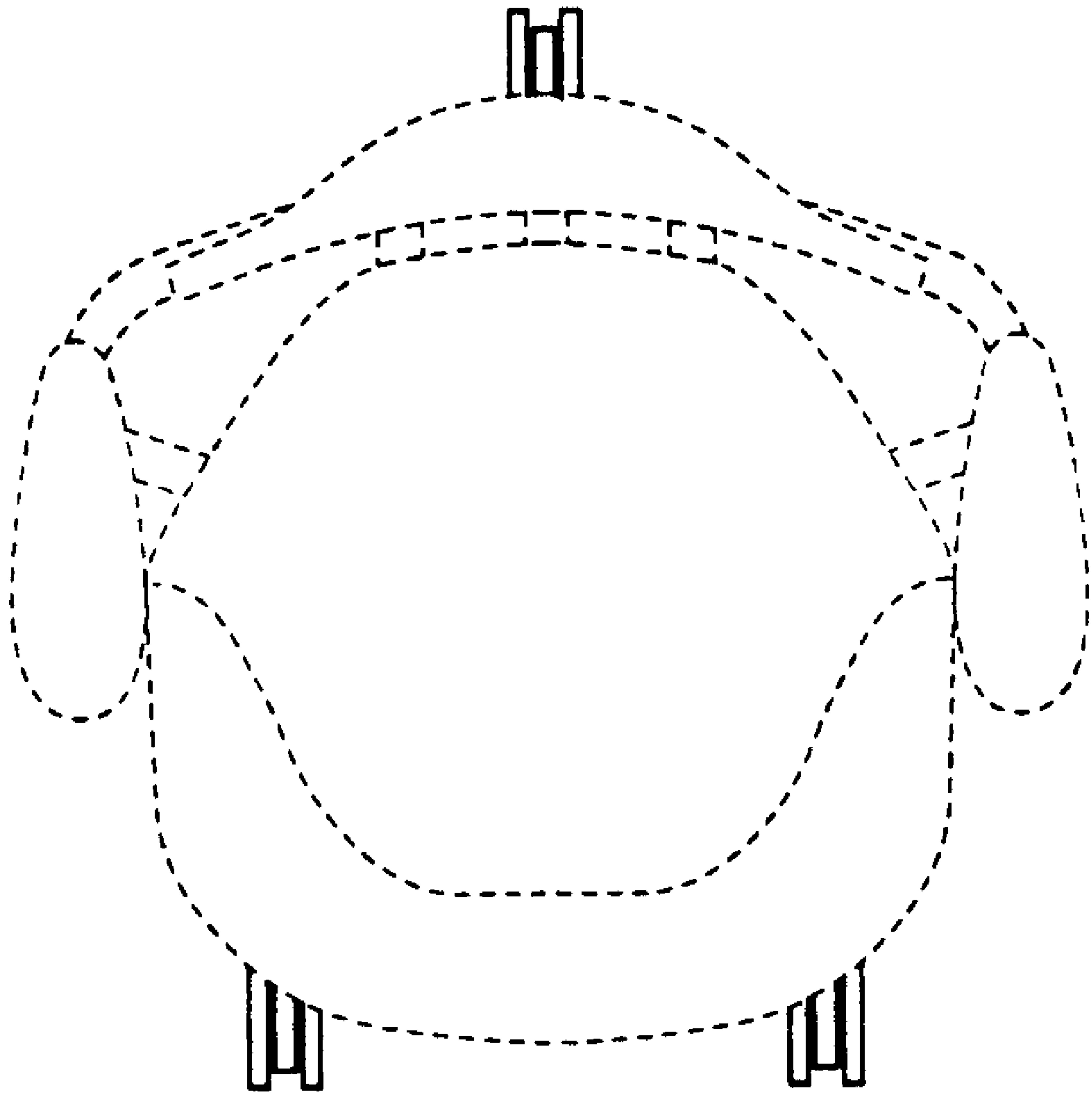


FIG. 13

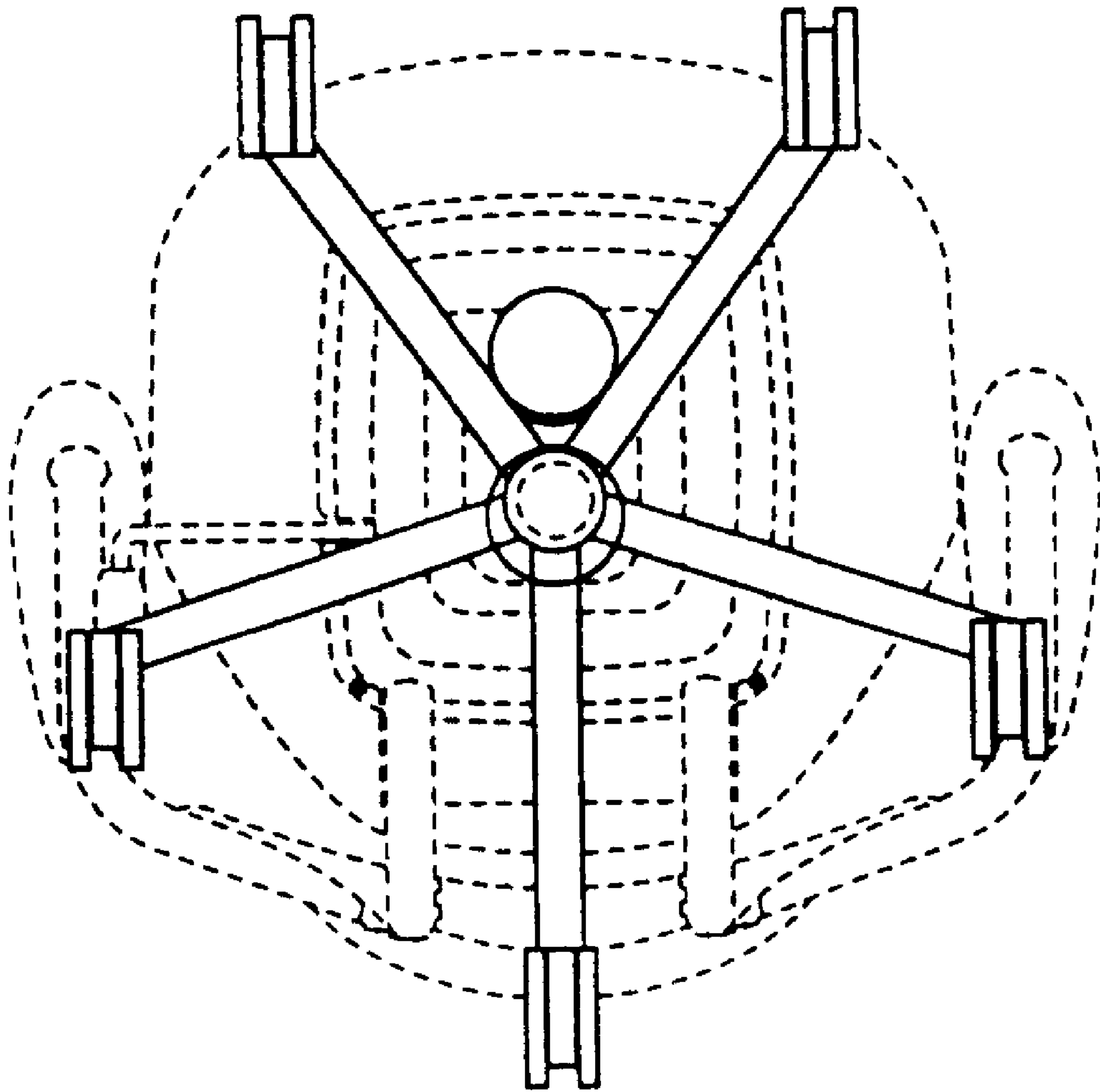


FIG. 14