



US00D473076S

(12) **United States Design Patent**
Johnson

(10) **Patent No.:** **US D473,076 S**

(45) **Date of Patent:** **** Apr. 15, 2003**

(54) **MERCHANDISING SYSTEM**

(75) Inventor: **Allen E. Johnson**, Hartford, WI (US)

(73) Assignee: **DCI Marketing, Inc.**, Milwaukee, WI (US)

(**) Term: **14 Years**

(21) Appl. No.: **29/161,149**

(22) Filed: **May 22, 2002**

(51) **LOC (7) Cl.** **06-04**

(52) **U.S. Cl.** **D6/475; D6/407; D6/629; D6/466**

(58) **Field of Search** D6/407, 629, 630, D6/408, 449, 475, 476, 466; 206/307, 307.1, 308.1, 310, 387.15; 211/13.1, 40-41.12; 312/9.1, 9.47-9.64, 348.3

(56) **References Cited**

U.S. PATENT DOCUMENTS

4,684,027	A	*	8/1987	Wright	211/40
5,031,780	A	*	7/1991	Lemmerman et al.	...	211/41.12
D342,398	S	*	12/1993	Lemmerman et al.	D6/467
5,346,078	A	*	9/1994	Ernetoft	211/90.01
5,638,962	A	*	6/1997	Price, Jr.	206/387.15
D402,130	S	*	12/1998	Wolff	D6/408
D406,478	S	*	3/1999	Rahman	D6/475
D428,752	S	*	8/2000	Marquez, Jr.	D6/629
D454,749	S	*	3/2002	Georgiadis et al.	D6/629
D458,484	S	*	6/2002	Wood	D6/511

* cited by examiner

Primary Examiner—Cathron C. Brooks

(74) *Attorney, Agent, or Firm*—Foley & Lardner

(57) **CLAIM**

The ornamental design for a merchandising system, as shown and described.

DESCRIPTION

FIG. 1 is a front perspective view of a merchandising system.

FIG. 2 is a front perspective view of the merchandising system.

FIG. 3 is a top plan view of the merchandising system.

FIG. 4 is a bottom plan view of the merchandising system.

FIG. 5 is a rear elevation view of the merchandising system.

FIG. 6 is a front elevation view of the merchandising system.

FIG. 7 is a right side elevation view of the merchandising system shown in FIG. 1.

FIG. 8 is a left side elevation view of the merchandising system shown in FIG. 1.

FIG. 9 is a front perspective view of the merchandising system, showing additional units in broken lines.

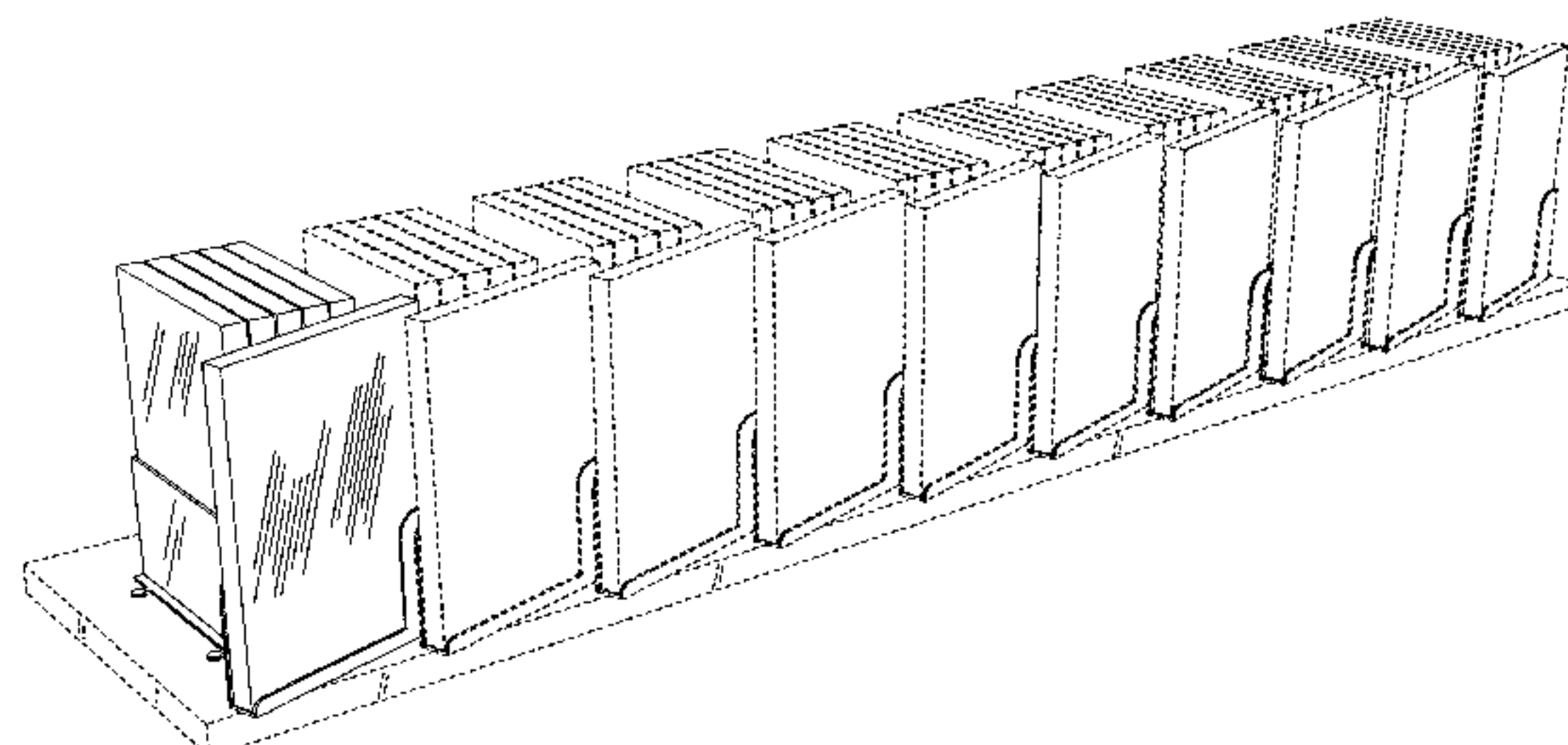
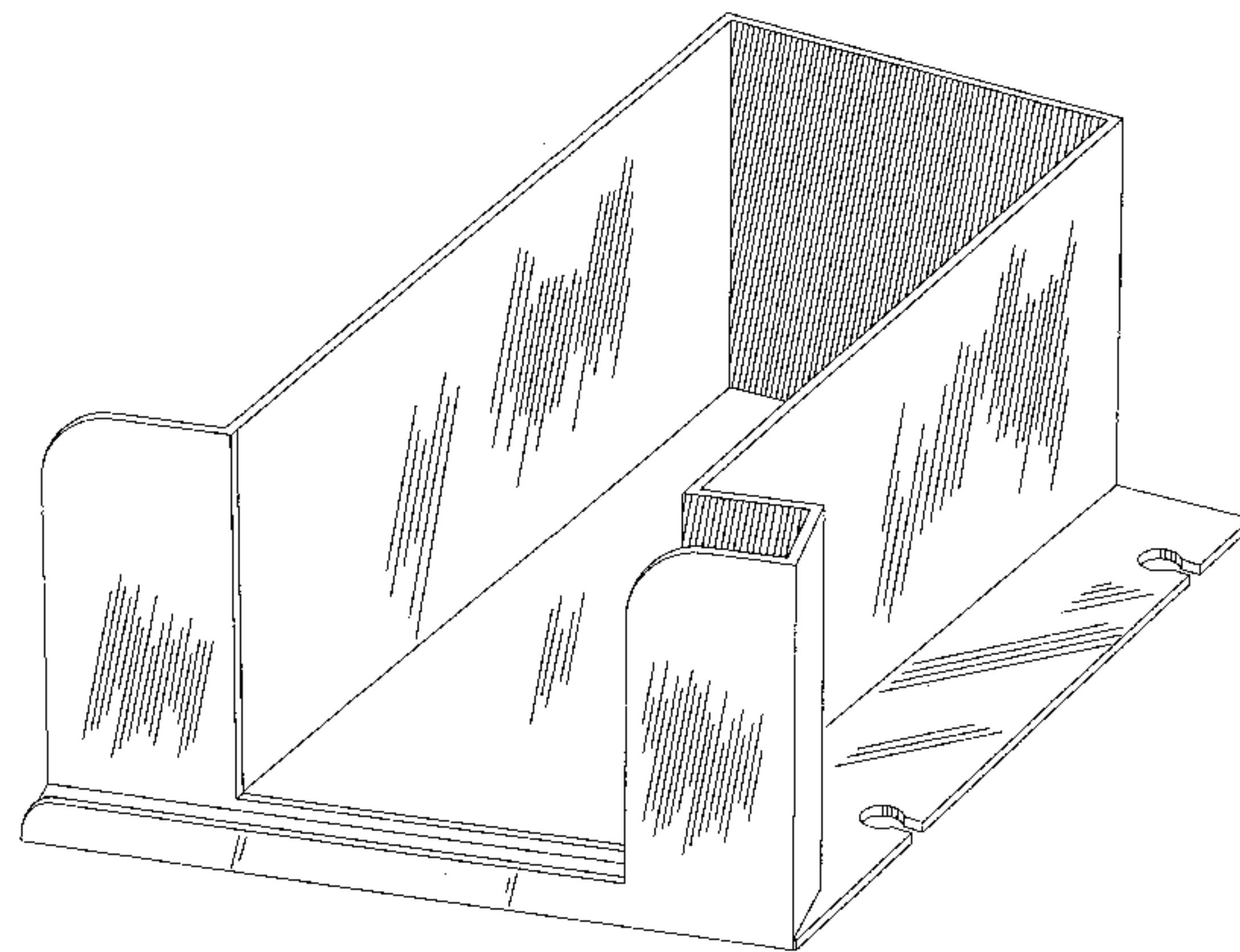
FIG. 10 is a front perspective view of the merchandising system shown in FIG. 9.

FIG. 11 is a front perspective view of the merchandising system shown in FIG. 9; and,

FIG. 12 is a front perspective view of the merchandising system shown in FIG. 11.

The broken line disclosure shown in FIGS. 9-12 is for illustrative purposes only and forms no part of the claimed design.

1 Claim, 12 Drawing Sheets



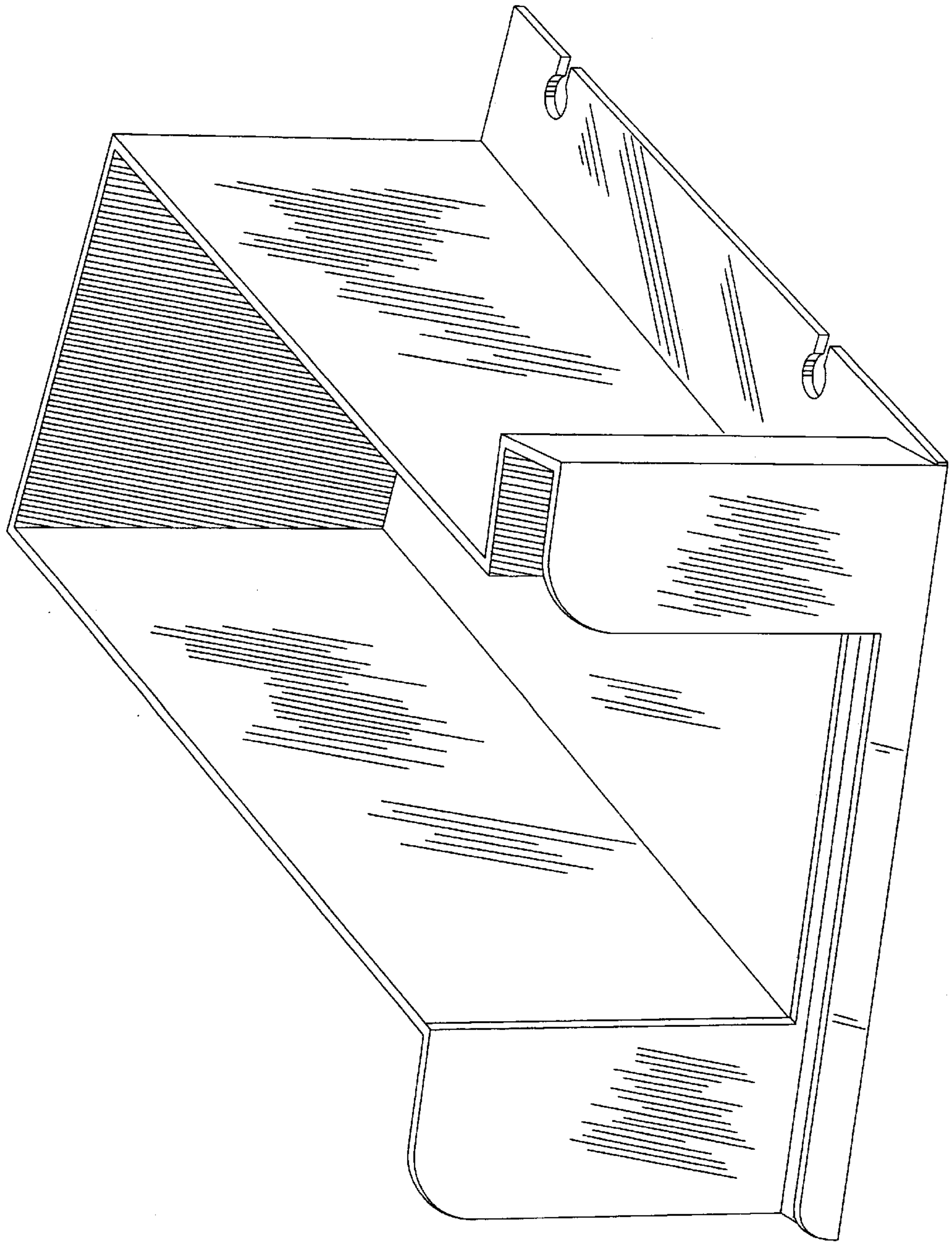
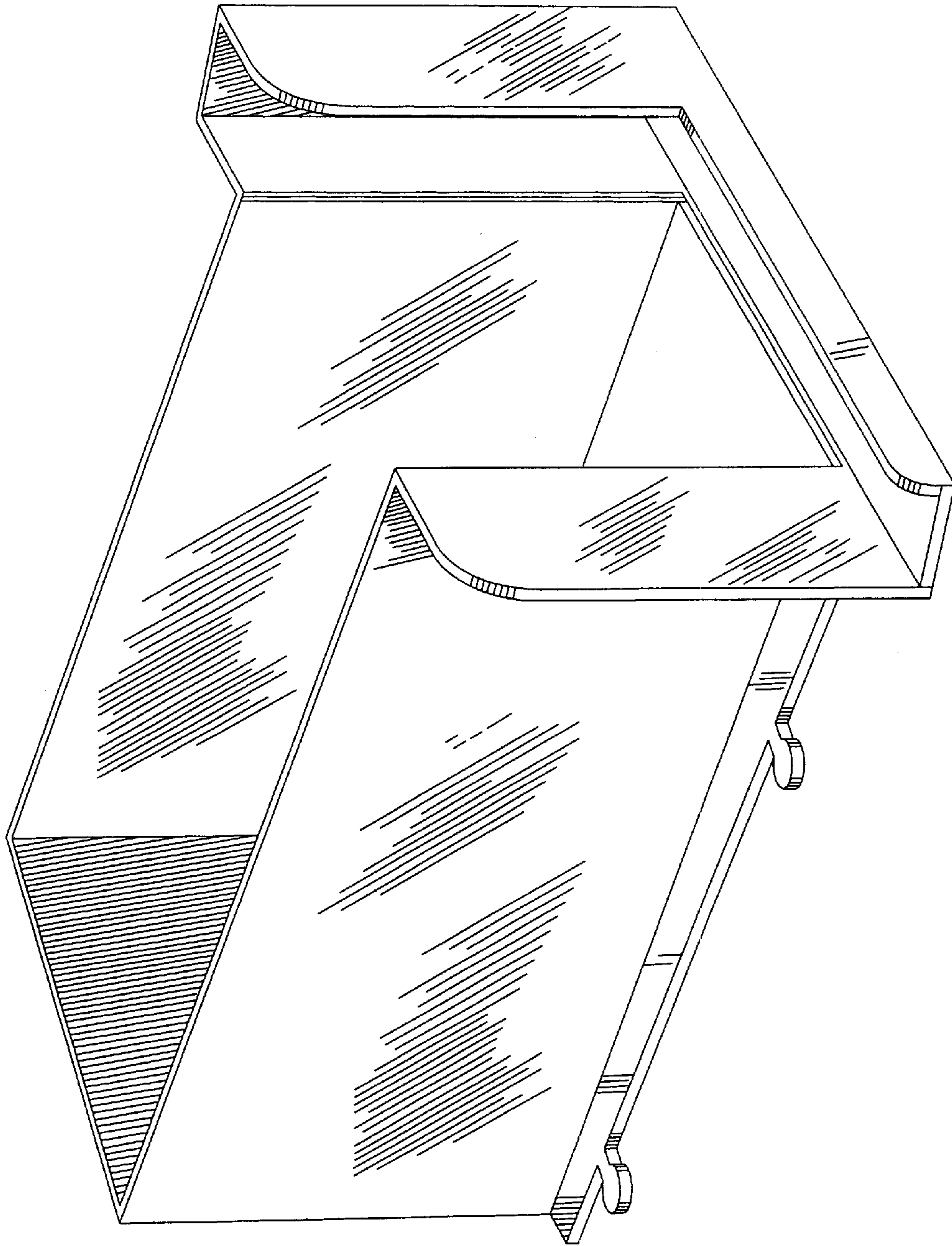


FIGURE 1

FIGURE 2



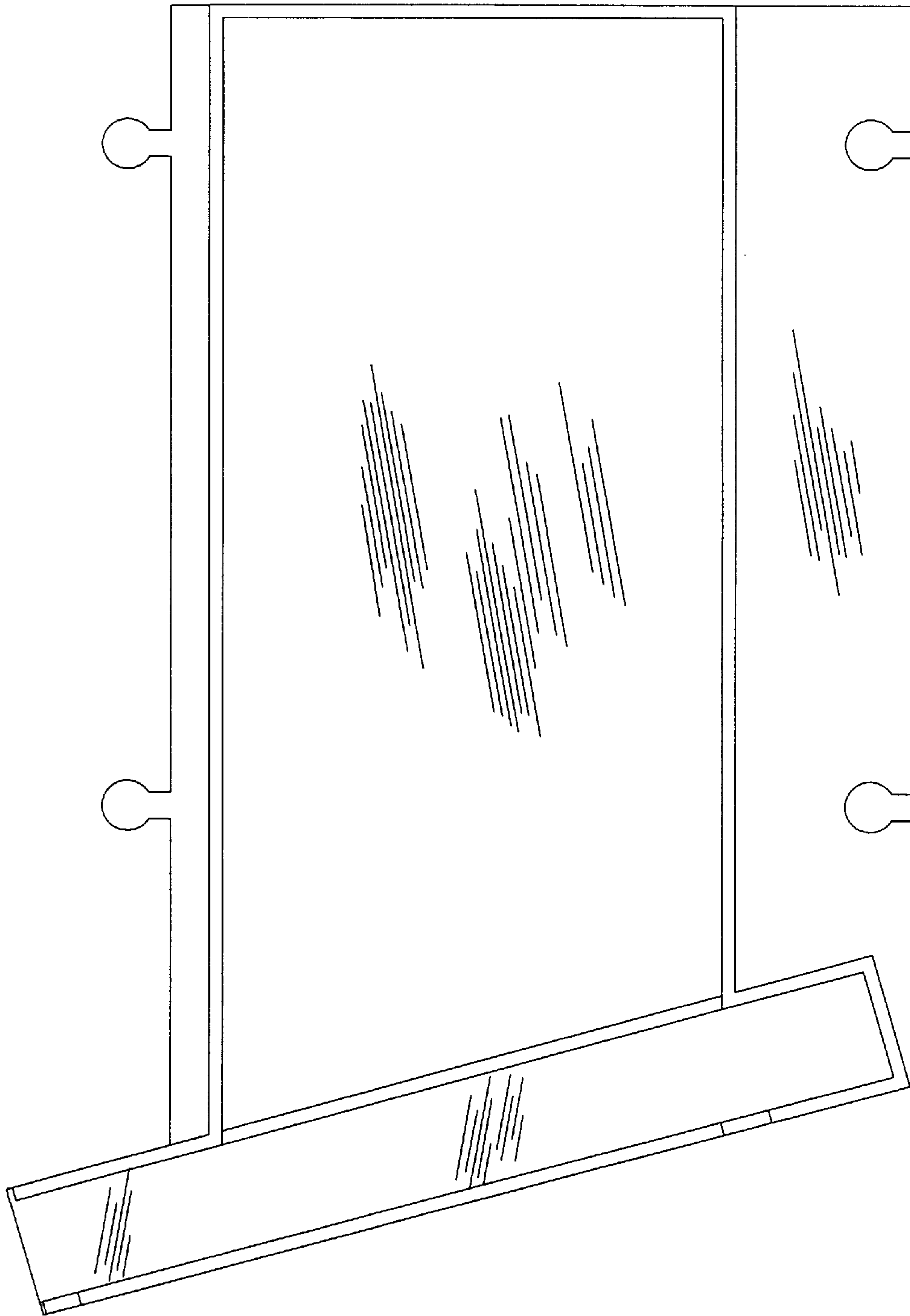


FIGURE 3

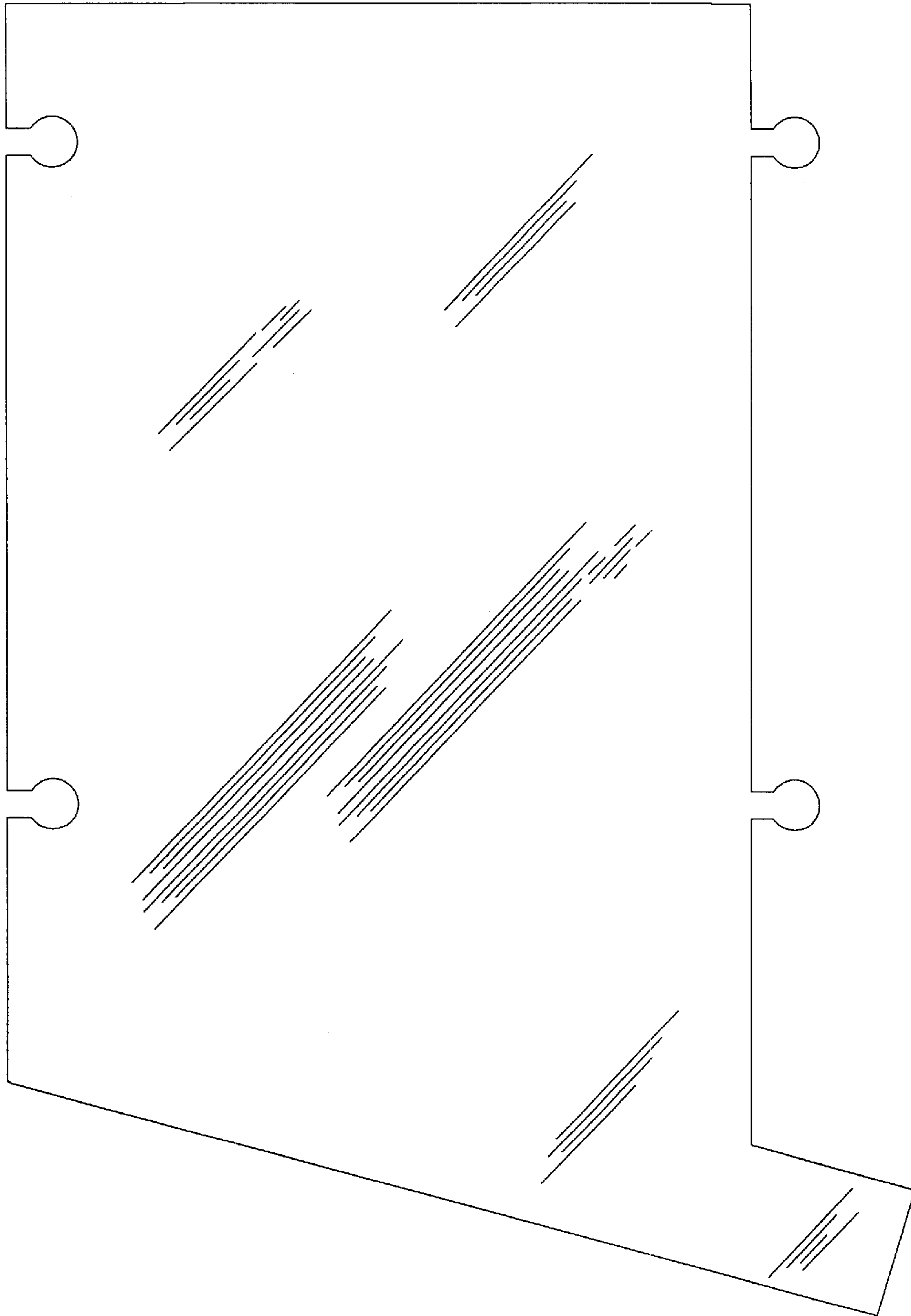


FIGURE 4

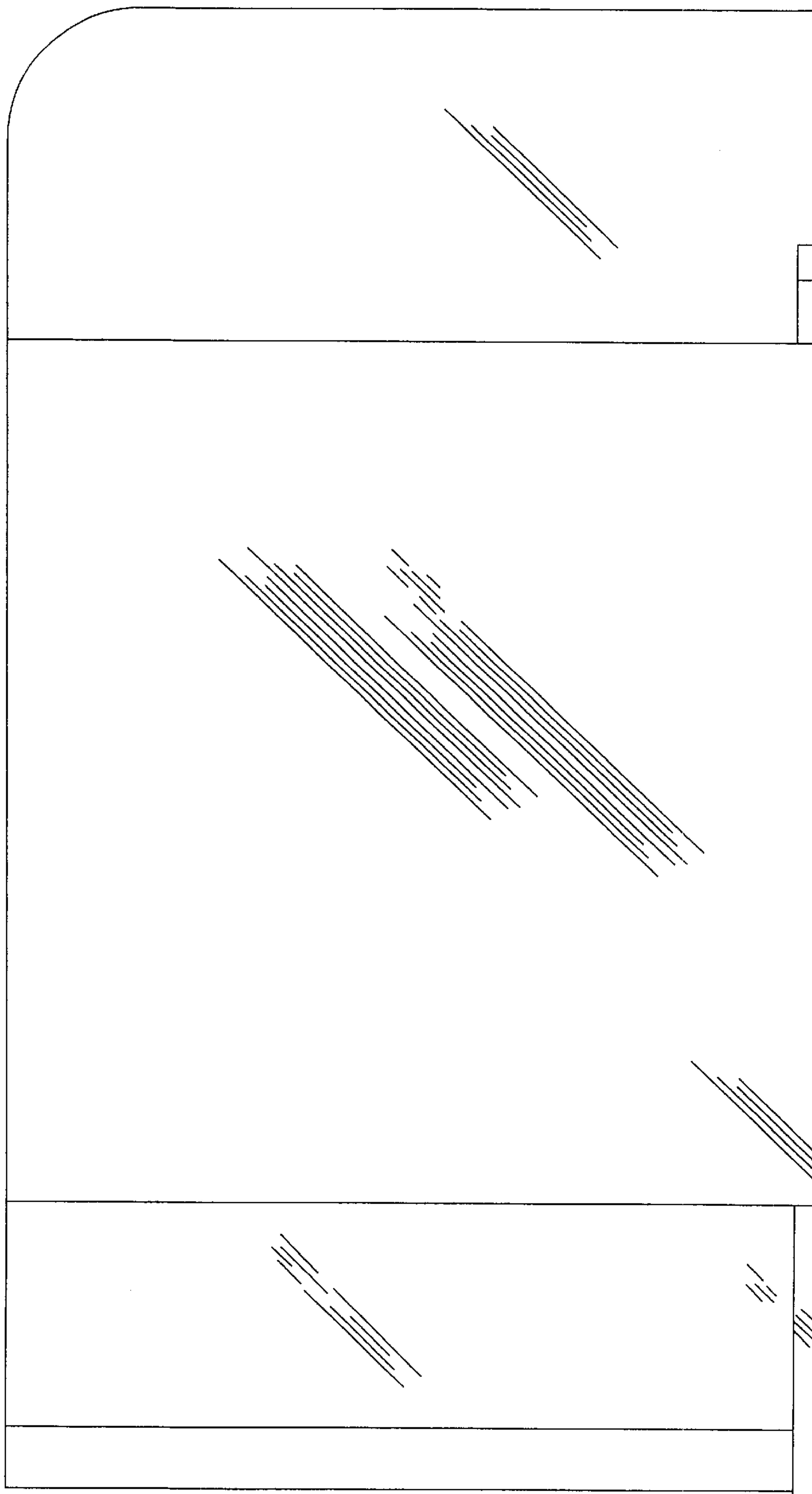


FIGURE 5

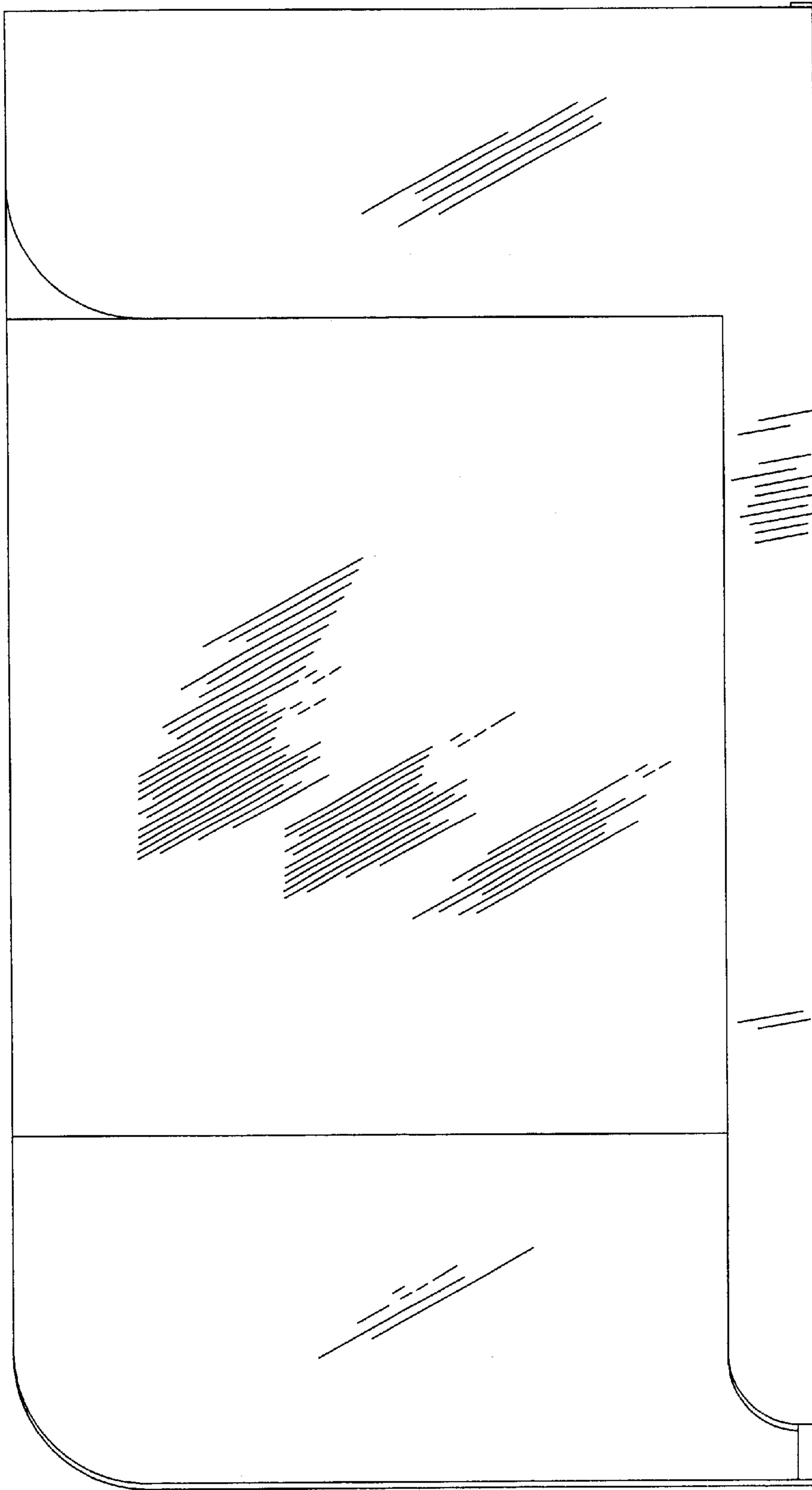


FIGURE 6

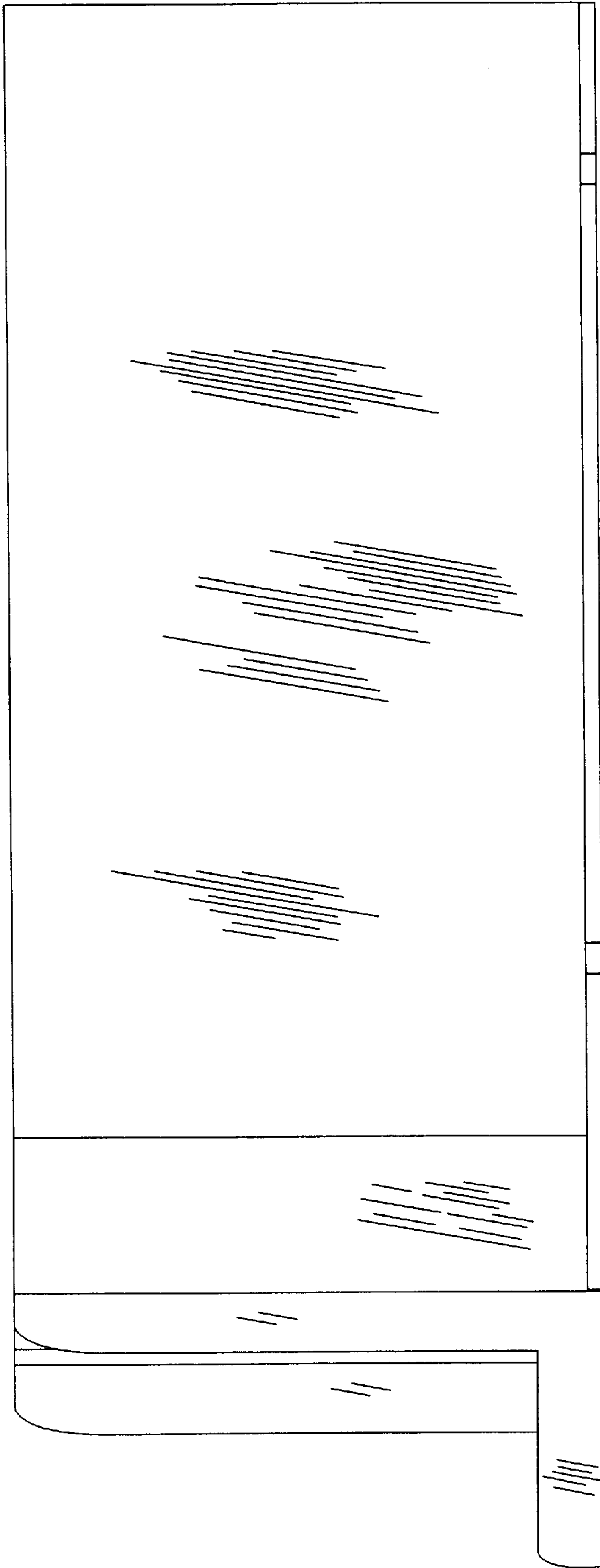


FIGURE 7

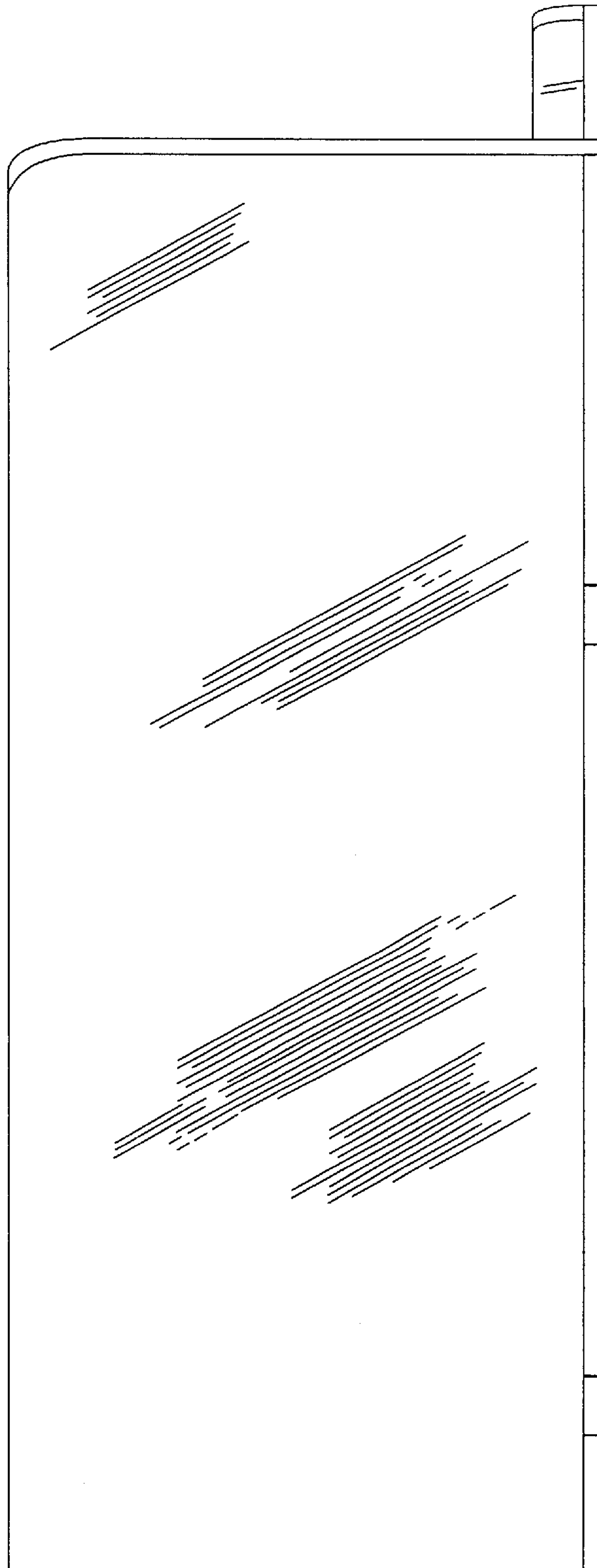


FIGURE 8

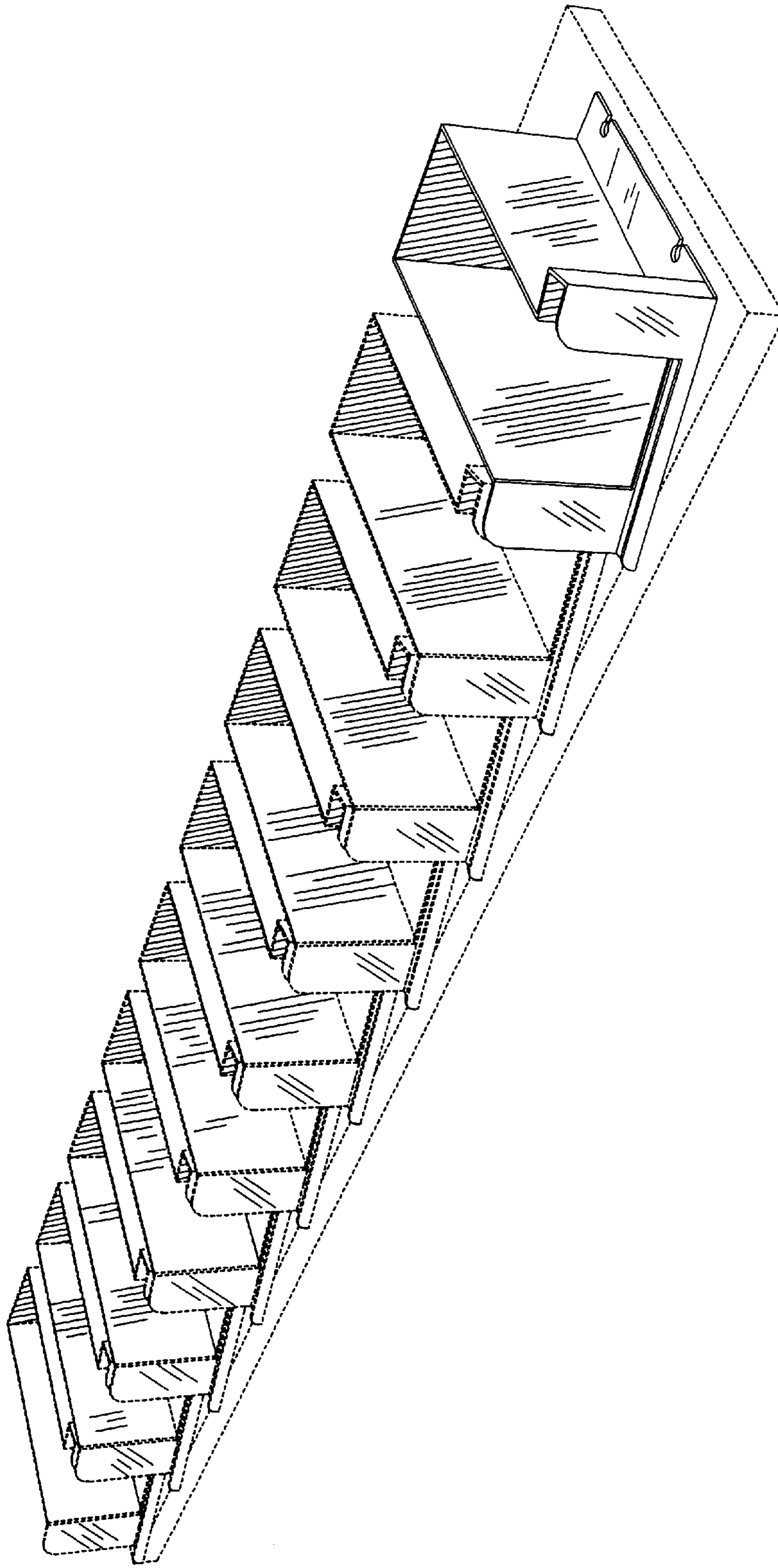


FIGURE 9

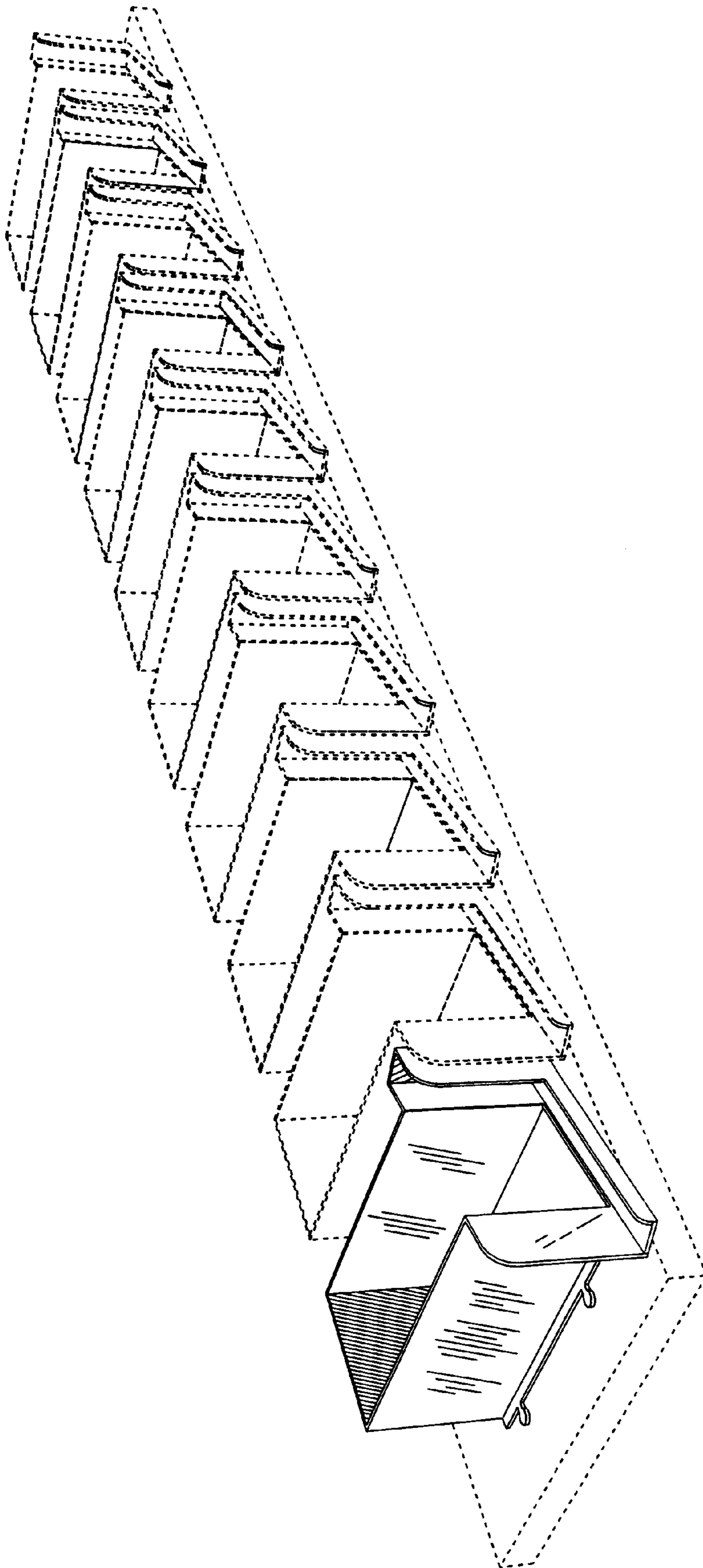


FIGURE 10

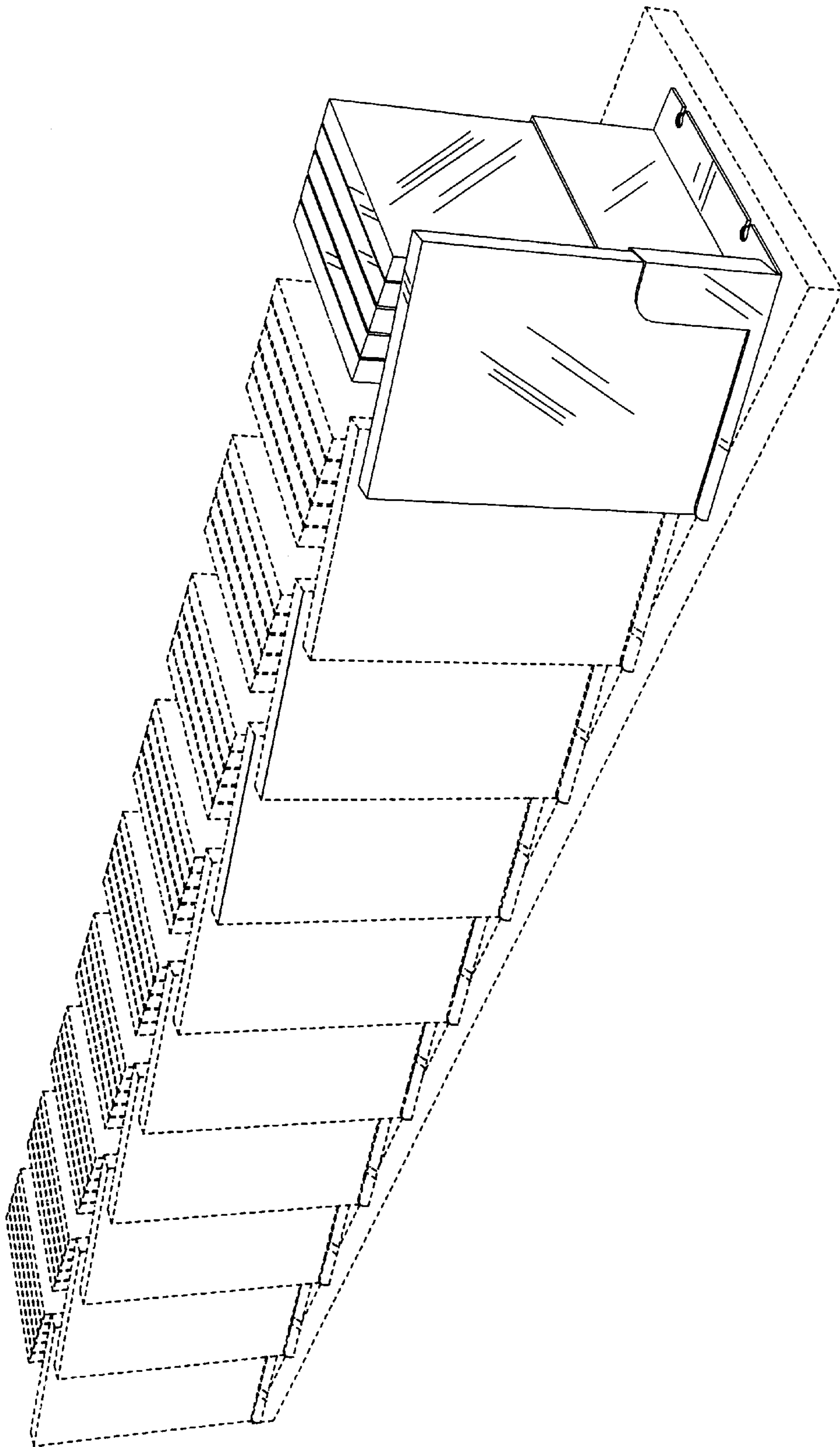


FIGURE 11

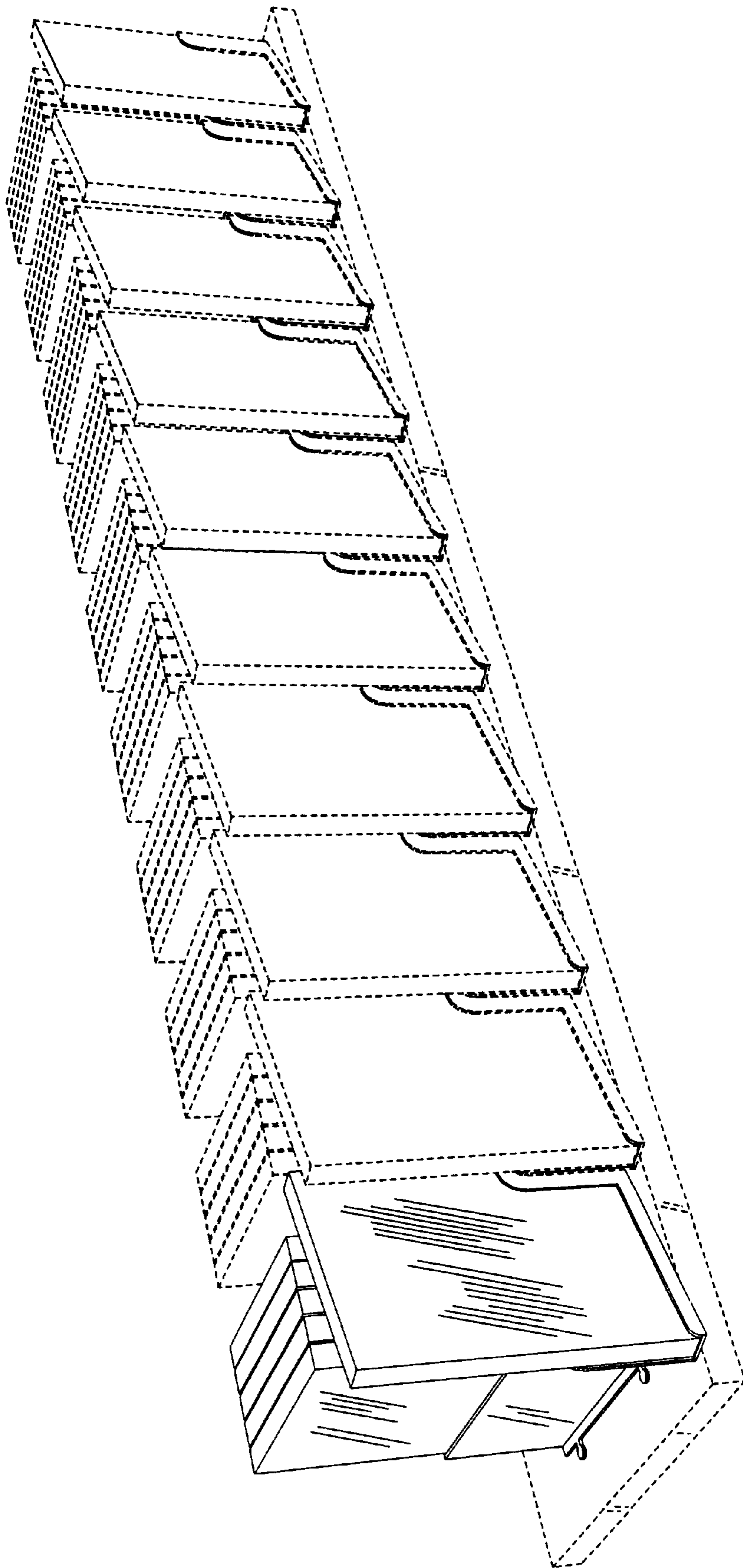


FIGURE 12