



US00D473074S

(12) **United States Design Patent**
Cimini et al.

(10) **Patent No.:** **US D473,074 S**

(45) **Date of Patent:** **** Apr. 15, 2003**

(54) **MERCHANDISE DISPLAY CASE**
(75) Inventors: **Joseph Cimini**, Dallas, TX (US); **Ignaz Gorischek**, Dallas, TX (US)

D383,623 S 9/1997 Goodwin et al.
5,669,685 A 9/1997 Kotani et al.
5,722,747 A 3/1998 Baron
5,853,235 A * 12/1998 Barnes 312/117

(73) Assignee: **Neiman Marcus Group, Inc.**, Dallas, TX (US)

* cited by examiner

(**) Term: **14 Years**

Primary Examiner—Cathron C. Brooks
(74) *Attorney, Agent, or Firm*—Christie, Parker & Hale, LLP

(21) Appl. No.: **29/157,496**

(57) **CLAIM**

(22) Filed: **Mar. 20, 2002**

The ornamental design for merchandise display case, as shown and described.

(51) **LOC (7) Cl.** **06-04**

(52) **U.S. Cl.** **D6/470**

(58) **Field of Search** D6/396, 397, 449, D6/470, 471, 472, 475, 476; 312/114, 204

DESCRIPTION

(56) **References Cited**

U.S. PATENT DOCUMENTS

3,707,115 A	12/1972	Rush	
4,012,133 A	3/1977	Burton	
4,560,214 A	* 12/1985	Otema	312/114
D294,785 S	* 3/1988	Dickson	D6/421
D303,739 S	10/1989	Egerton, Jr.	
5,123,192 A	6/1992	Hsieh	
5,190,286 A	3/1993	Watanabe et al.	
D351,956 S	* 11/1994	Kozak	D6/470
5,496,103 A	* 3/1996	Kozak	312/116

FIG. 1 is a perspective view of a merchandise display case embodying my new design;
FIG. 2 is a side elevational view of the merchandise display case of FIG. 1;
FIG. 3 is another side elevational view of the merchandise display case of FIG. 1;
FIG. 4 is a top plan view of the merchandise display case of FIG. 1;
FIG. 5 is a rear view of the merchandise display case of FIG. 1; and,
FIG. 6 is a front view of the merchandise display case of FIG. 1.

1 Claim, 3 Drawing Sheets

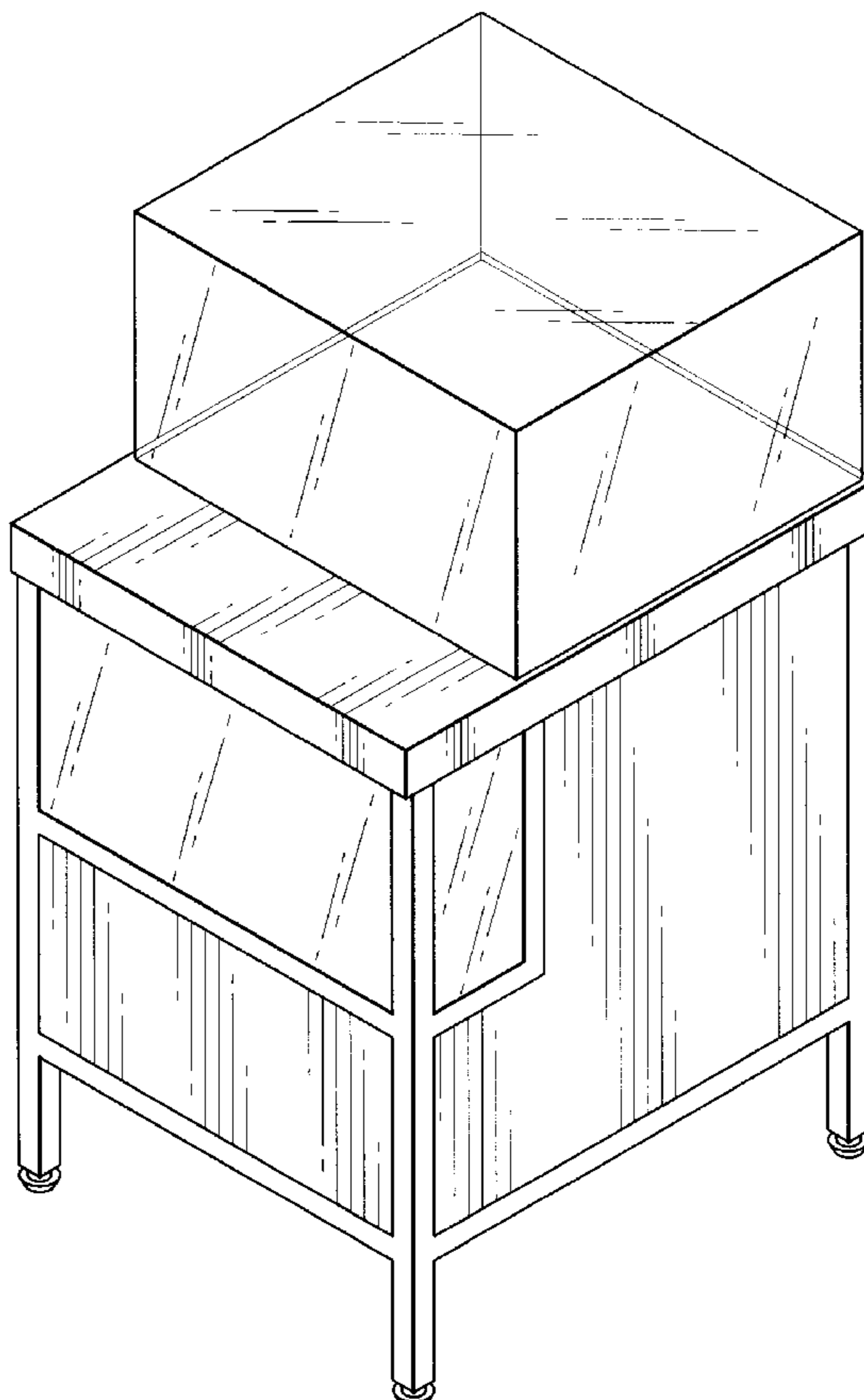
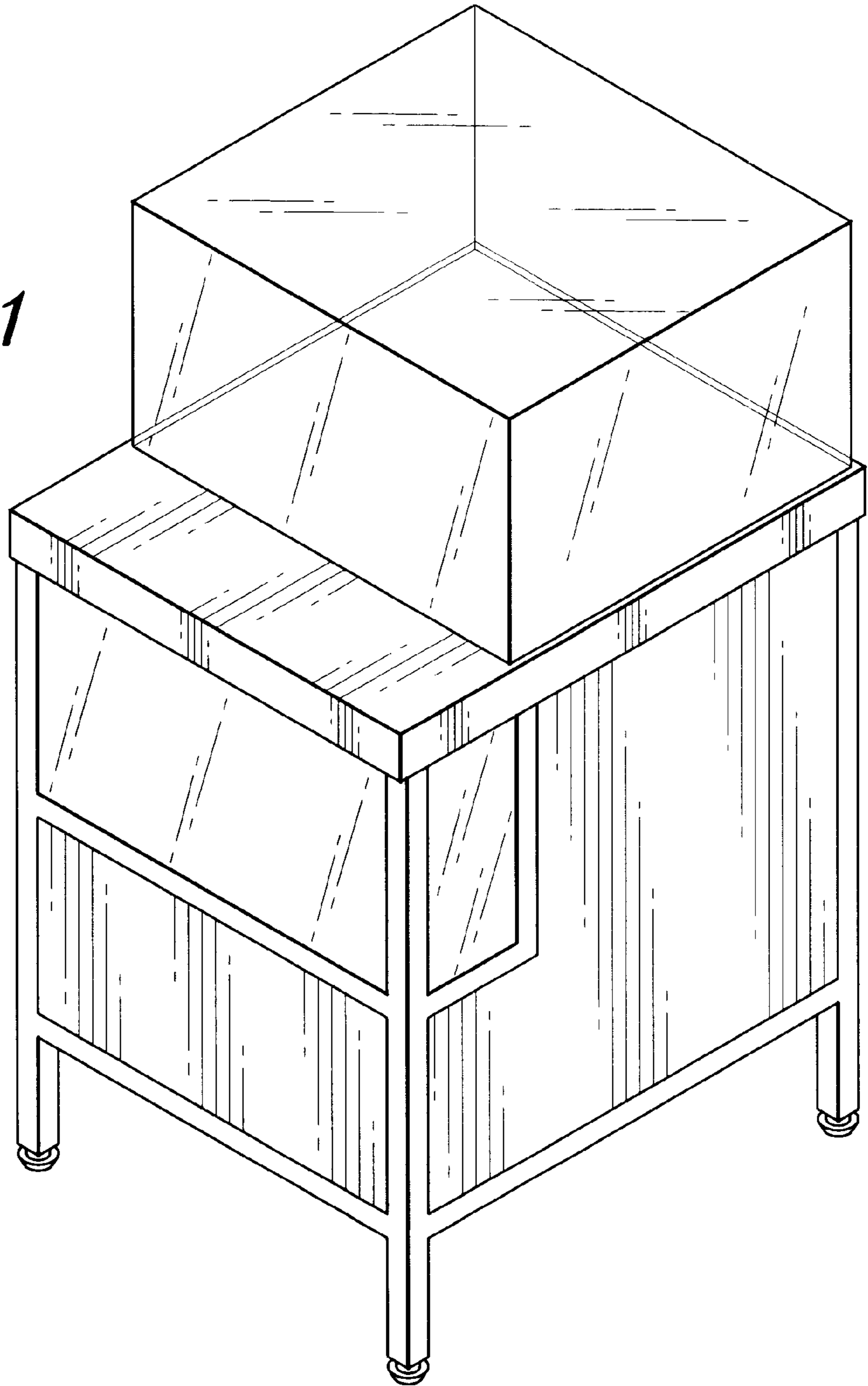


FIG. 1



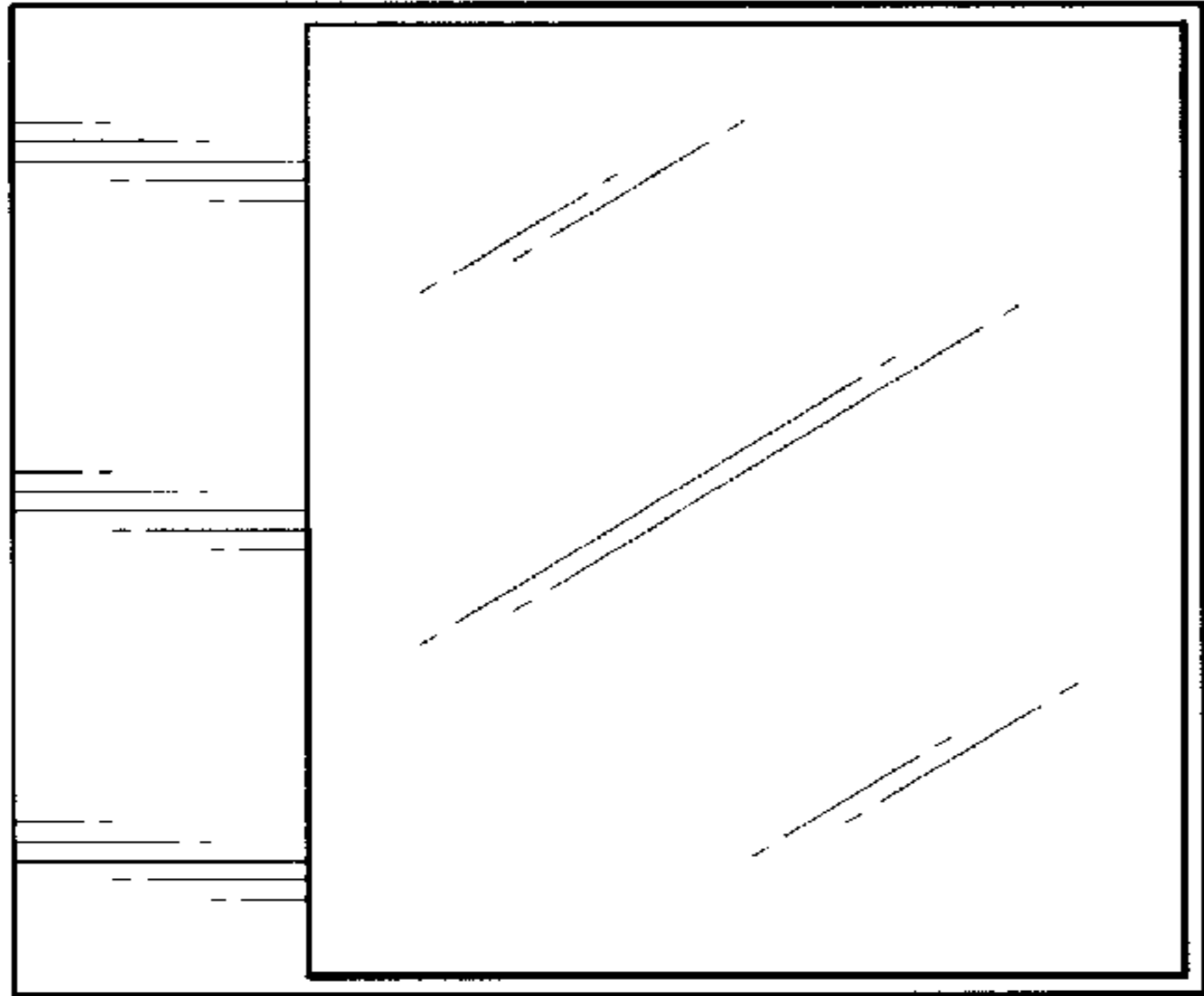


FIG. 4

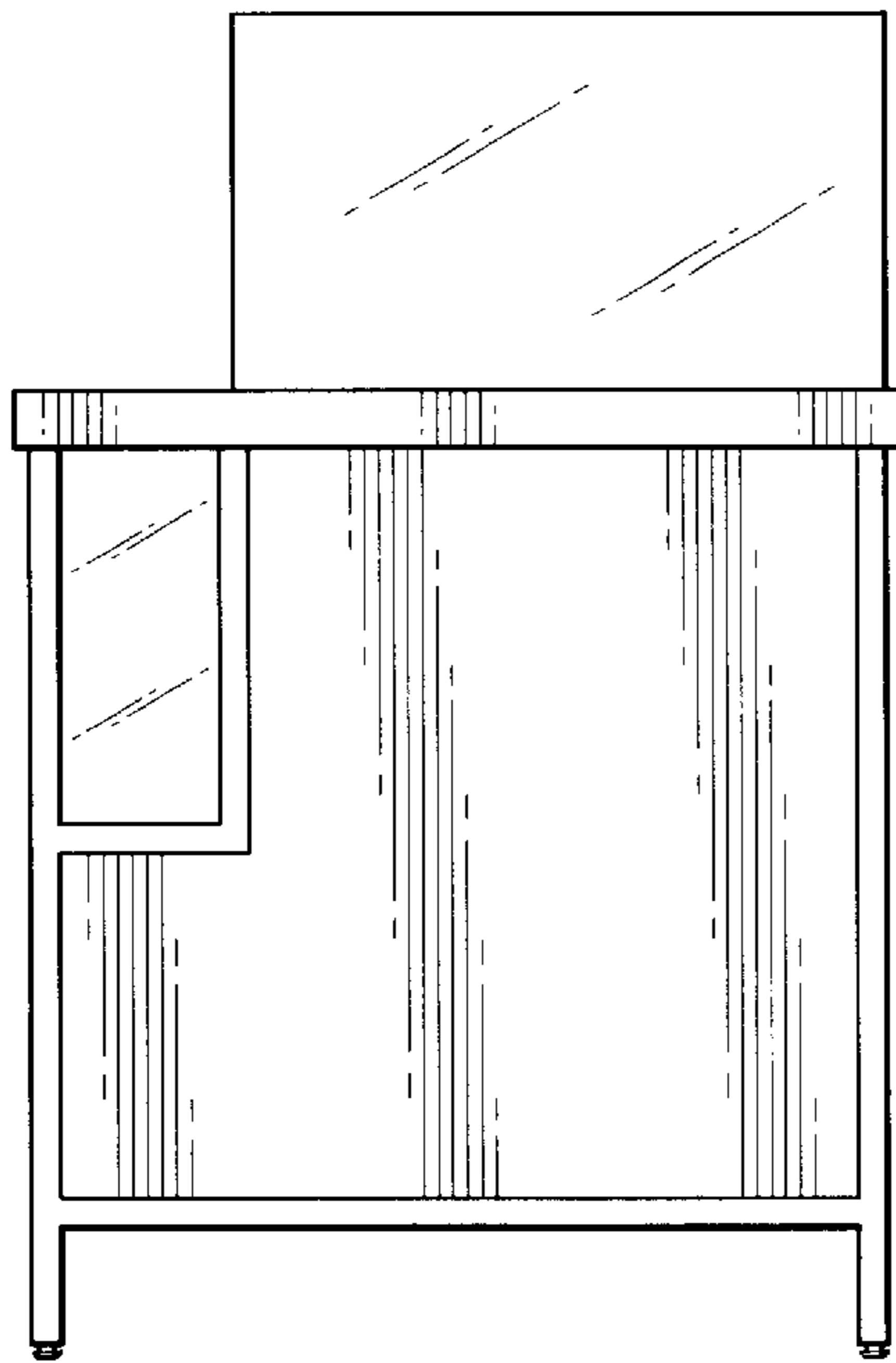


FIG. 2

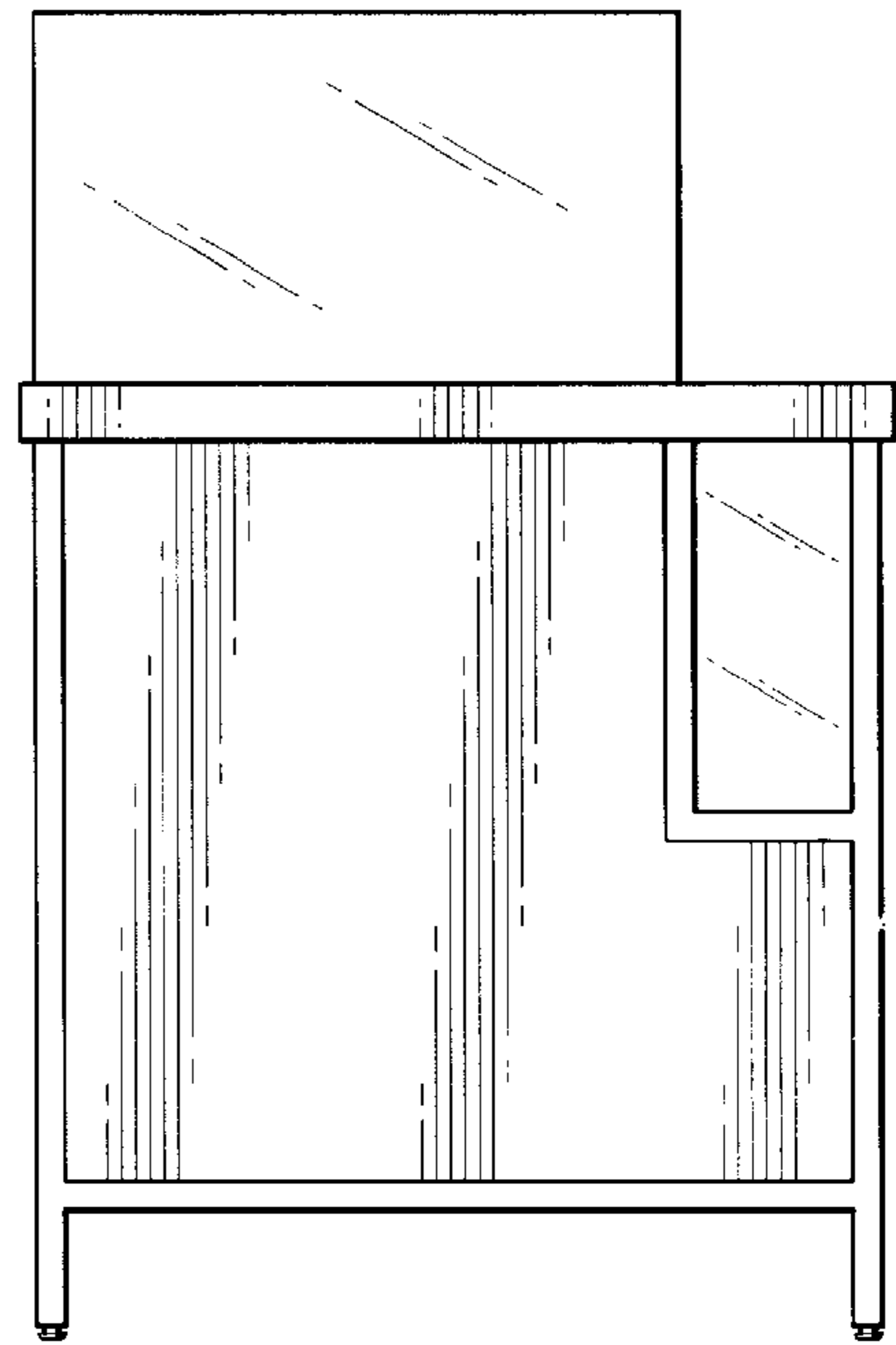


FIG. 3

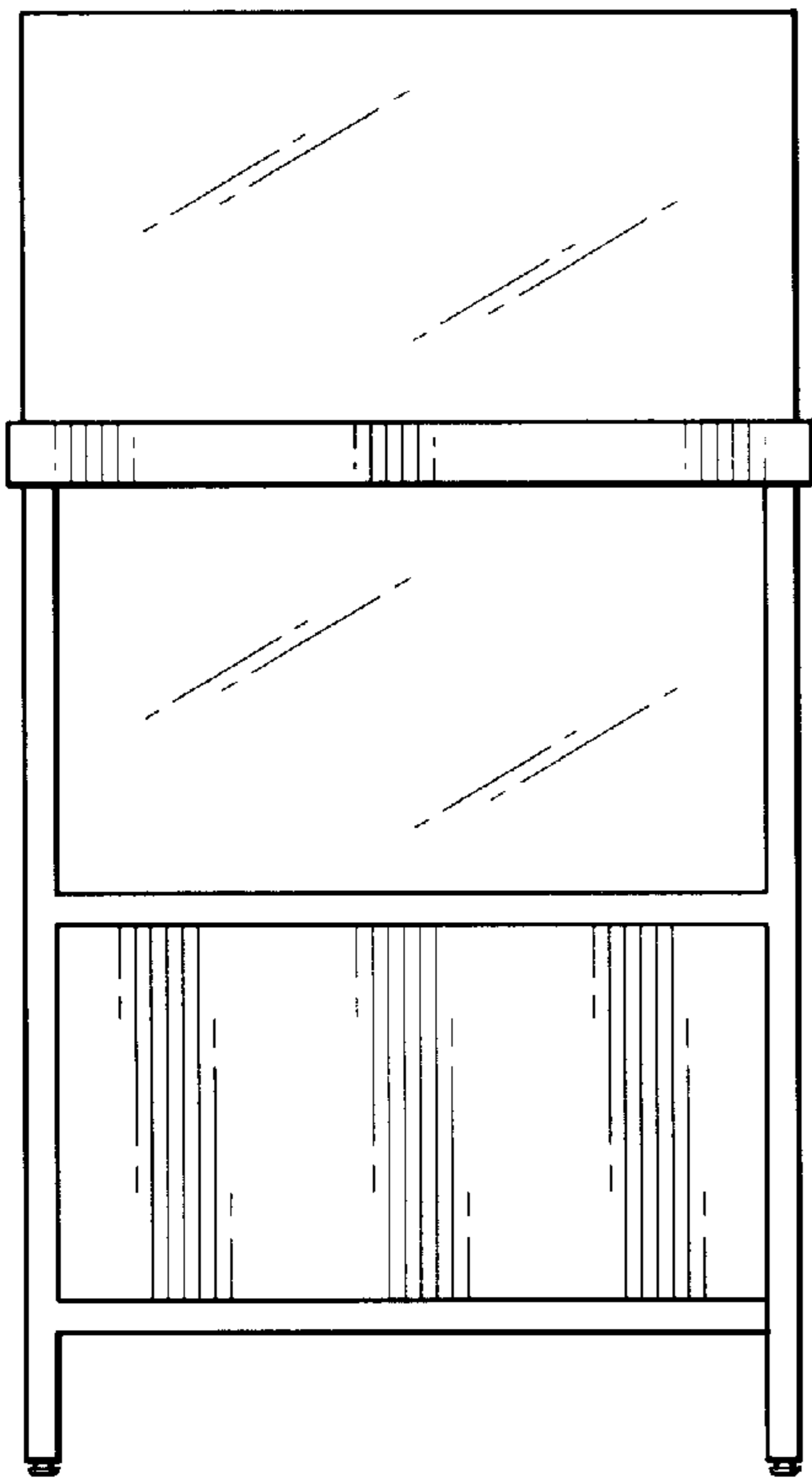


FIG. 5

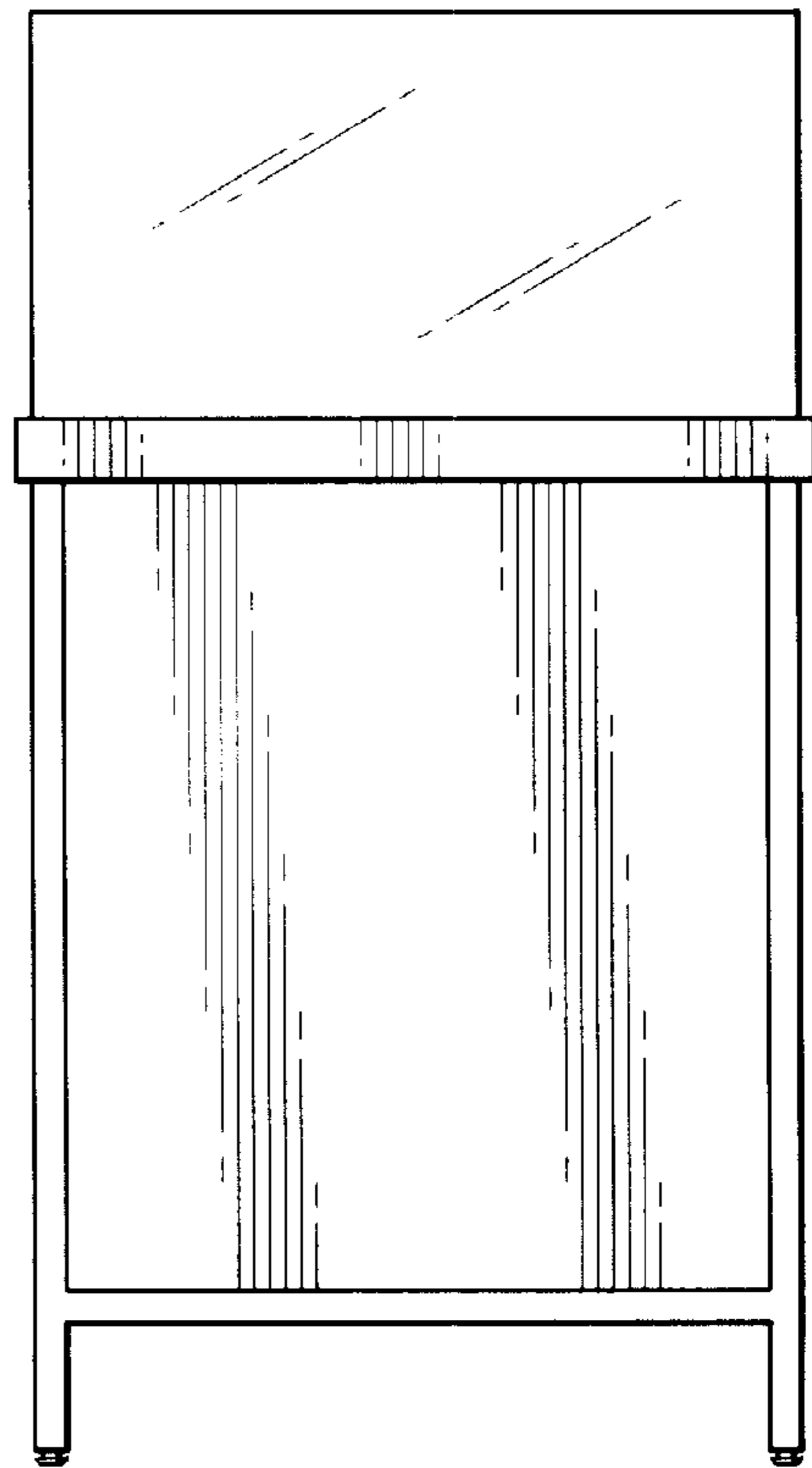


FIG. 6