



US00D473073S

(12) **United States Design Patent**  
**Kettering et al.**

(10) **Patent No.:** **US D473,073 S**

(45) **Date of Patent:** **\*\* Apr. 15, 2003**

(54) **MERCHANDISING DISPLAY RACK**

(75) **Inventors:** **John L. Kettering**, Uniontown, OH (US); **Dominick J. DeDominicis**, Louisville, OH (US)

(73) **Assignee:** **Coastal Pet Products, Inc.**, Alliance, OH (US)

(\*\*) **Term:** **14 Years**

(21) **Appl. No.:** **29/163,272**

(22) **Filed:** **Jul. 2, 2002**

(51) **LOC (7) Cl.** ..... **06-04**

(52) **U.S. Cl.** ..... **D6/462**

(58) **Field of Search** ..... D6/396, 410, 411, D6/458, 462-465, 466, 475, 476, 407, 629; 211/41.4, 42, 49.1, 90.03, 106, 181.1; 312/9.1, 9.47, 9.48, 9.52, 9.53, 9.55

(56) **References Cited**

**U.S. PATENT DOCUMENTS**

D162,397 S	*	3/1951	Fink	.....	D6/463
3,918,588 A	*	11/1975	Walser et al.	.....	211/49.1
D249,913 S	*	10/1978	Nicely	.....	D6/463
4,248,352 A	*	2/1981	White	.....	211/88.01
5,074,420 A	*	12/1991	Cappel, III	.....	211/42
5,119,945 A	*	6/1992	Wiggins	.....	211/59.2

5,257,702 A	*	11/1993	Grafstein	.....	211/106
D382,133 S	*	8/1997	Messina et al.	.....	D6/409
D382,140 S	*	8/1997	Lofflin	.....	D6/465
6,161,708 A		12/2000	Myler	.....	21/90.02
D446,968 S	*	8/2001	Spencer	.....	D6/462
D450,480 S	*	11/2001	Stephens	.....	D6/458
6,431,375 B2	*	8/2002	Spencer	.....	211/106

\* cited by examiner

*Primary Examiner*—Cathron C. Brooks

(74) *Attorney, Agent, or Firm*—Renner, Kenner, Greive, Bobak, Taylor & Weber

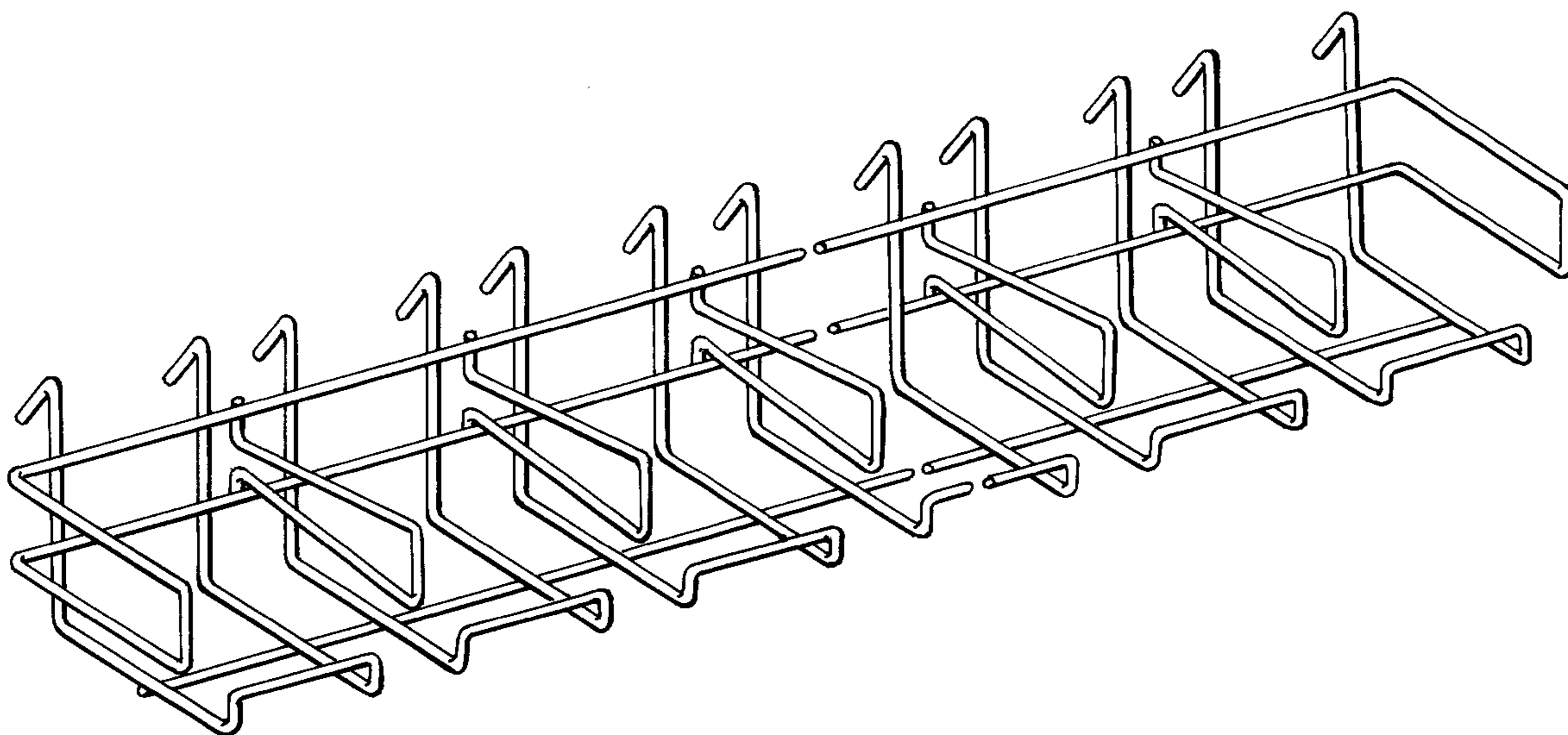
(57) **CLAIM**

The ornamental design for a merchandising display rack, as shown and described.

**DESCRIPTION**

FIG. 1 is a fragmented top, front, left side perspective view of a merchandise display rack showing our new design; FIG. 2 is a right side elevational view thereof, the left side being a mirror image of FIG. 2; FIG. 3 is a fragmented top plan view thereof; FIG. 4 is a fragmented front elevational view thereof; FIG. 5 is a fragmented bottom plan view thereof; and, FIG. 6 is a fragmented rear elevational view thereof. The elements are shown as fragmented in the views to indicate a repeating pattern of indeterminate length.

**1 Claim, 3 Drawing Sheets**



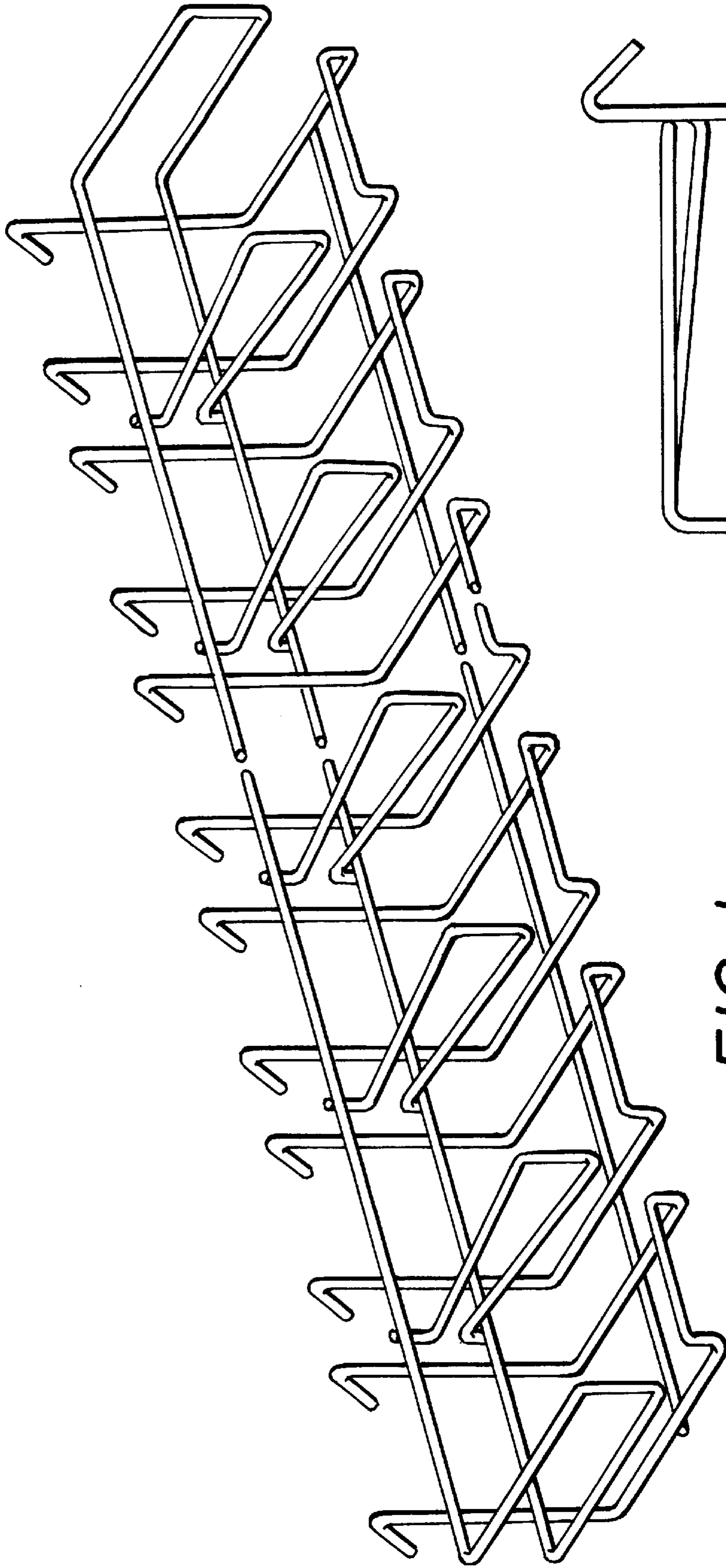


FIG. 1

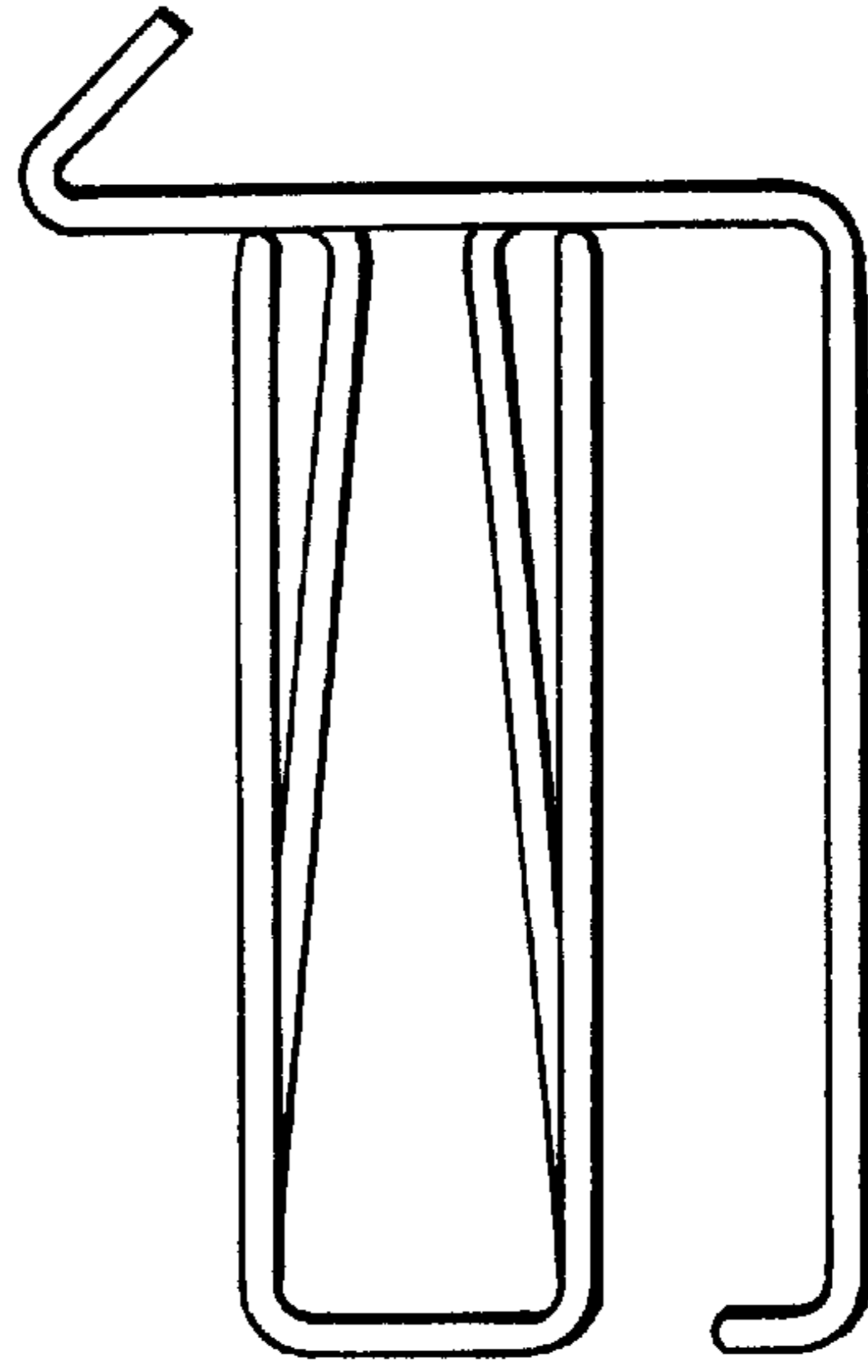


FIG. 2

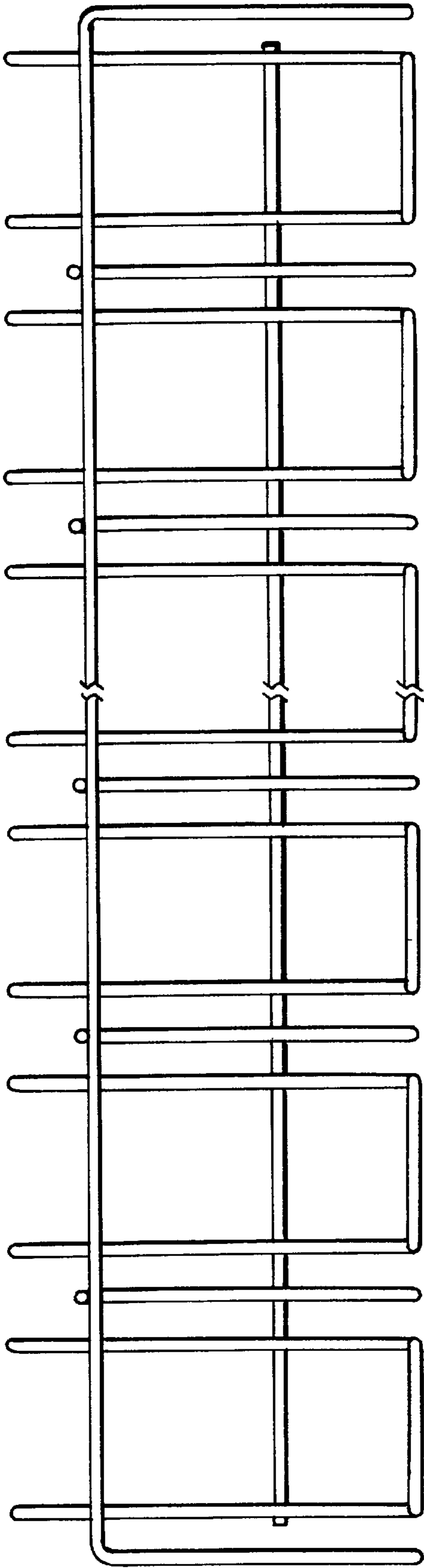


FIG. 3

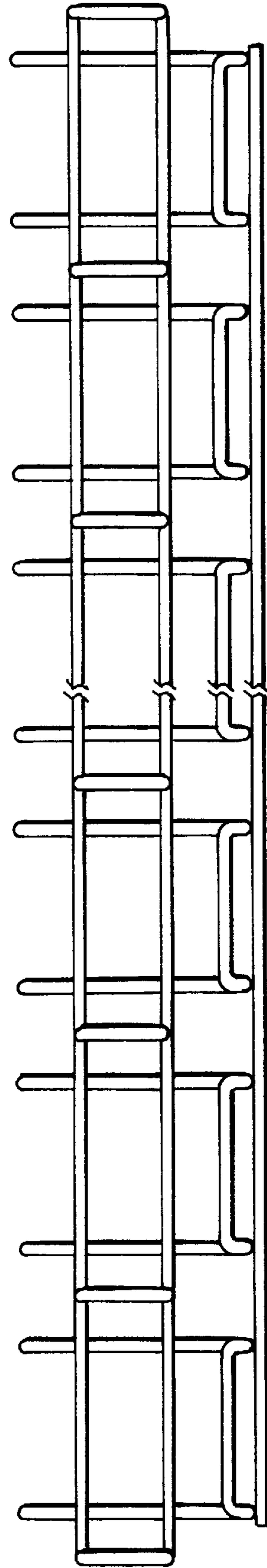


FIG. 4

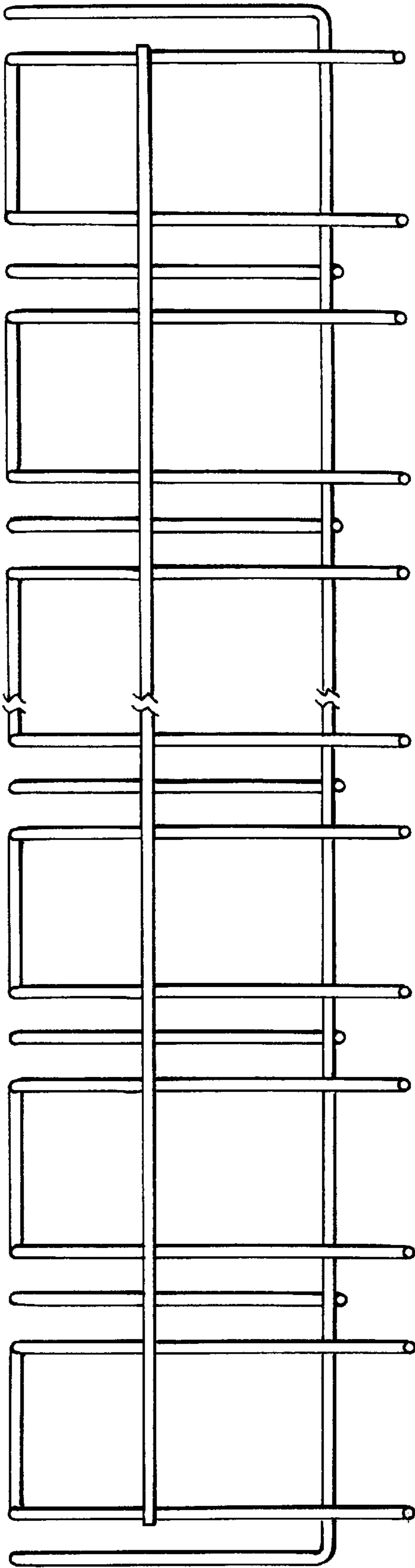


FIG. 5

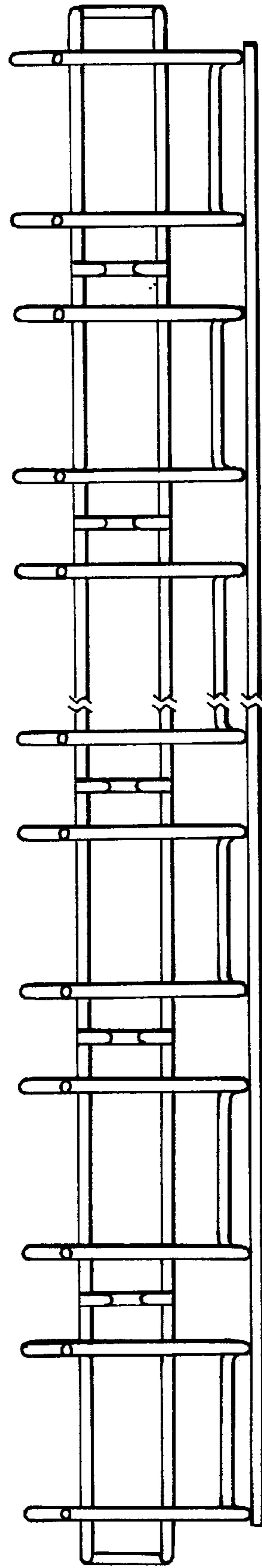


FIG. 6