



US00D473072S

(12) **United States Design Patent**
Seeley

(10) **Patent No.:** **US D473,072 S**

(45) **Date of Patent:** **** Apr. 15, 2003**

(54) **STORAGE SADDLE FOR COMPUTER TOWER**

(76) **Inventor:** **Oliver D. Seeley**, 1558 W. 123rd St.,
Los Angeles, CA (US) 90047-5315

(**) **Term:** **14 Years**

(21) **Appl. No.:** **29/163,271**

(22) **Filed:** **Jul. 2, 2002**

(51) **LOC (7) Cl.** **06-06**

(52) **U.S. Cl.** **D6/449**; D14/447; D19/92

(58) **Field of Search** D6/396, 397, 449,
D6/475, 476, 491, 495, 511; D14/432, 440,
447; D18/59; D19/86, 92; 206/215, 299,
557; 211/50, 126.1; 248/174, 176.1, 346.03;
312/223; 361/683

(56) **References Cited**

U.S. PATENT DOCUMENTS

D220,112 S	*	3/1971	Muller	D6/495
D252,875 S		9/1979	Daniels		
4,444,465 A		4/1984	Giulie et al.		
D275,771 S	*	10/1984	Evans	D19/92
4,560,066 A	*	12/1985	Croteau	206/501
D282,034 S	*	1/1986	Janke	D6/480
D293,493 S	*	12/1987	Garr	D6/449
D296,852 S	*	7/1988	Buchweitz, Jr. et al.	D6/449
D297,335 S	*	8/1988	Atwell	D19/86
D300,830 S		4/1989	Lowry		
D308,537 S	*	6/1990	Clark	D18/59
4,958,737 A	*	9/1990	Auerbach	206/557
D319,463 S	*	8/1991	Clyburn	D18/59

D330,467 S		10/1992	Pons et al.		
D331,045 S		11/1992	Moerke		
D348,904 S	*	7/1994	Linder	D19/92
5,398,905 A		3/1995	Hinson		
5,409,107 A		4/1995	Browne		
5,549,375 A		8/1996	Pagliaccio		
D377,128 S	*	1/1997	Baker	D6/479
D390,546 S		2/1998	Calfee		
D394,879 S		6/1998	Carbonaro		
5,934,487 A	*	8/1999	Hoeg	211/50
D431,403 S	*	10/2000	Ford	D6/511

* cited by examiner

Primary Examiner—Cathron C. Brooks

(74) *Attorney, Agent, or Firm*—Donald R. Schoonover

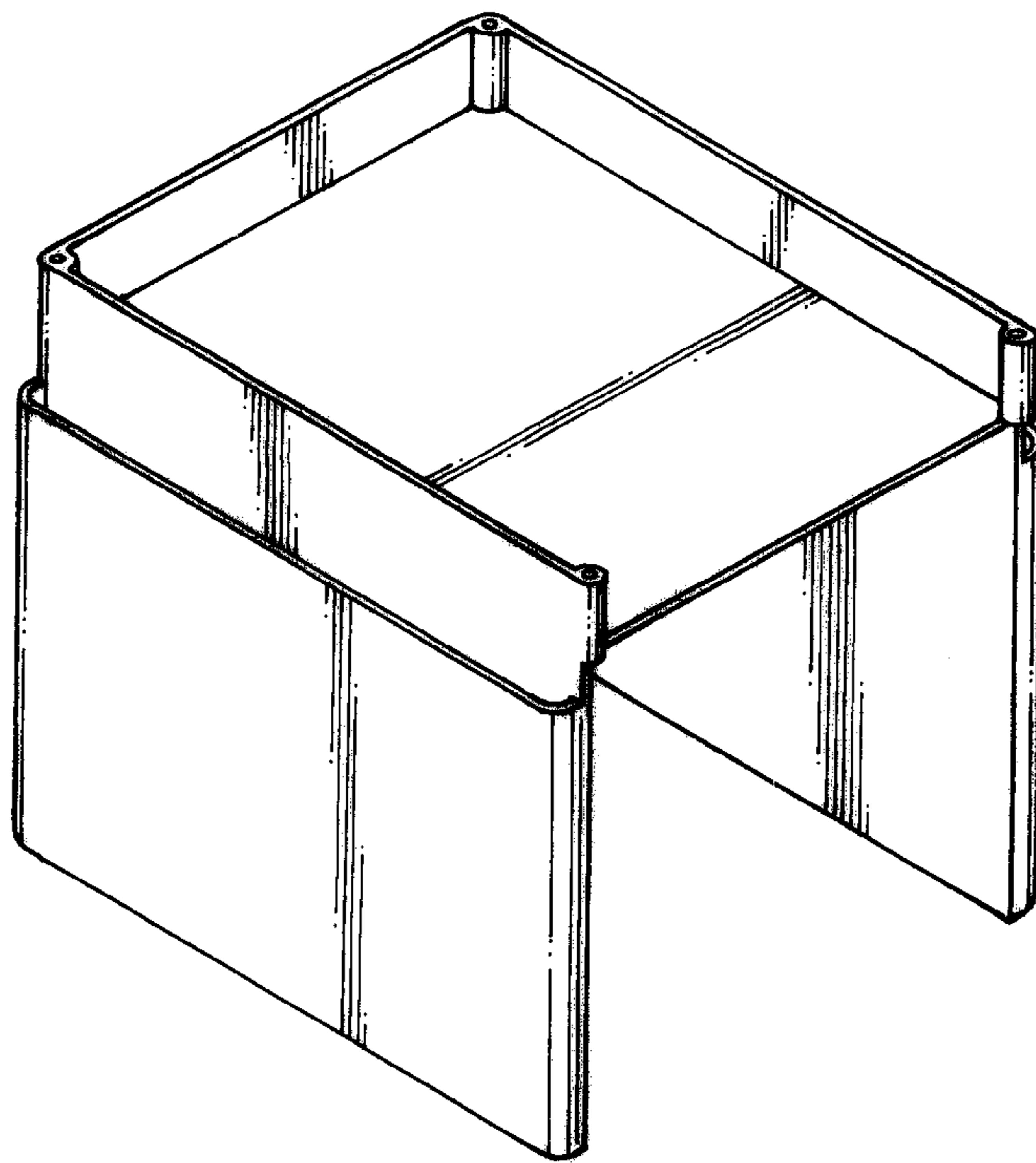
(57) **CLAIM**

The ornamental design for a storage saddle for computer tower, as shown and described.

DESCRIPTION

FIG. 1 is a perspective view of a storage saddle for computer tower embodying the design of the present invention; FIG. 2 is a front elevational view thereof; FIG. 3 is a rear elevational view thereof; FIG. 4 is a left side elevational view thereof; the right side elevational view being a mirror image thereof; FIG. 5 is a top plan view thereof; FIG. 6 is a bottom plan view thereof; and, FIG. 7 is a perspective view showing the storage saddle for computer tower in use; the broken lines depict environmental structure and form no part of the claimed design.

1 Claim, 4 Drawing Sheets



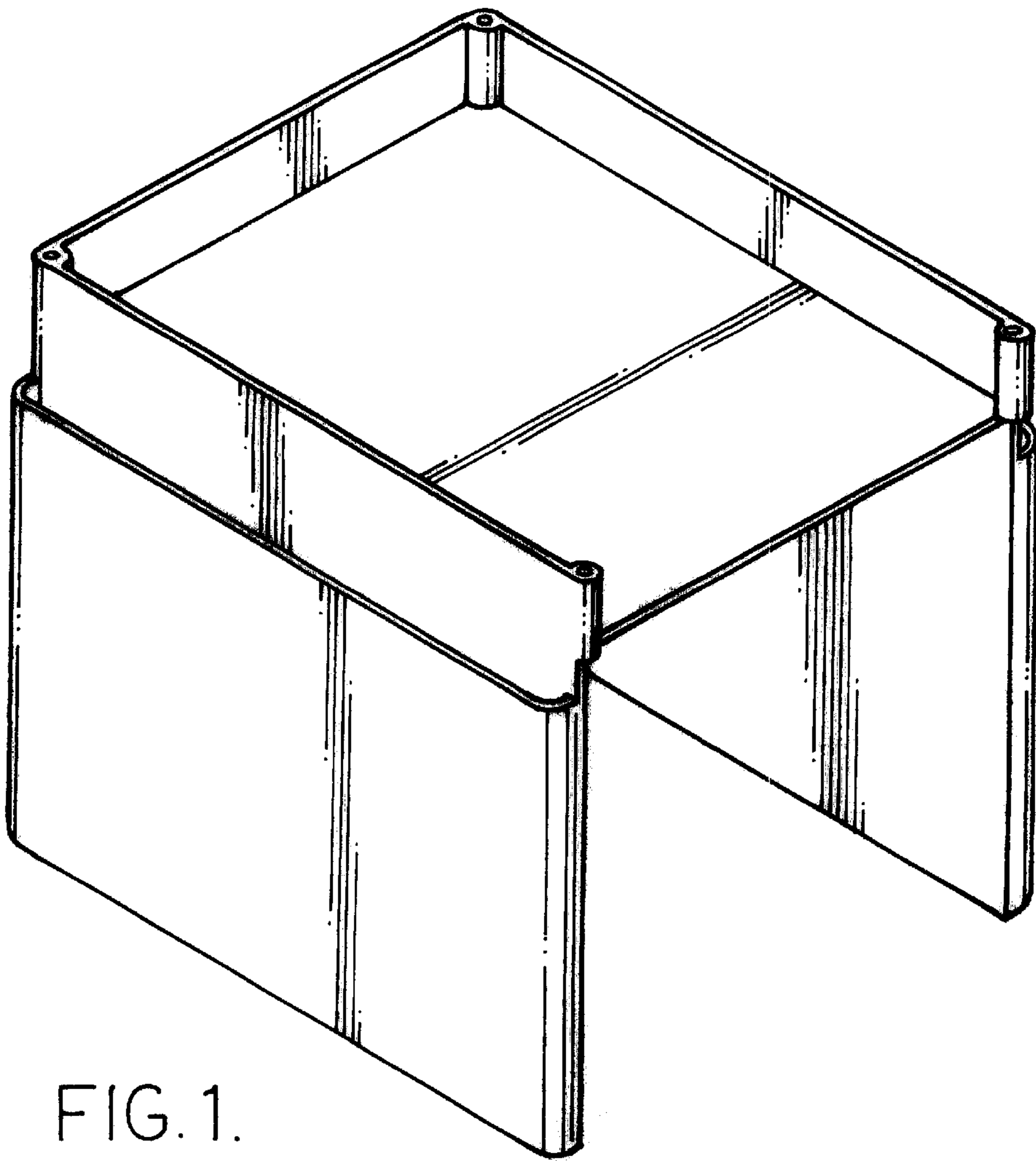


FIG. 1.



FIG. 4.

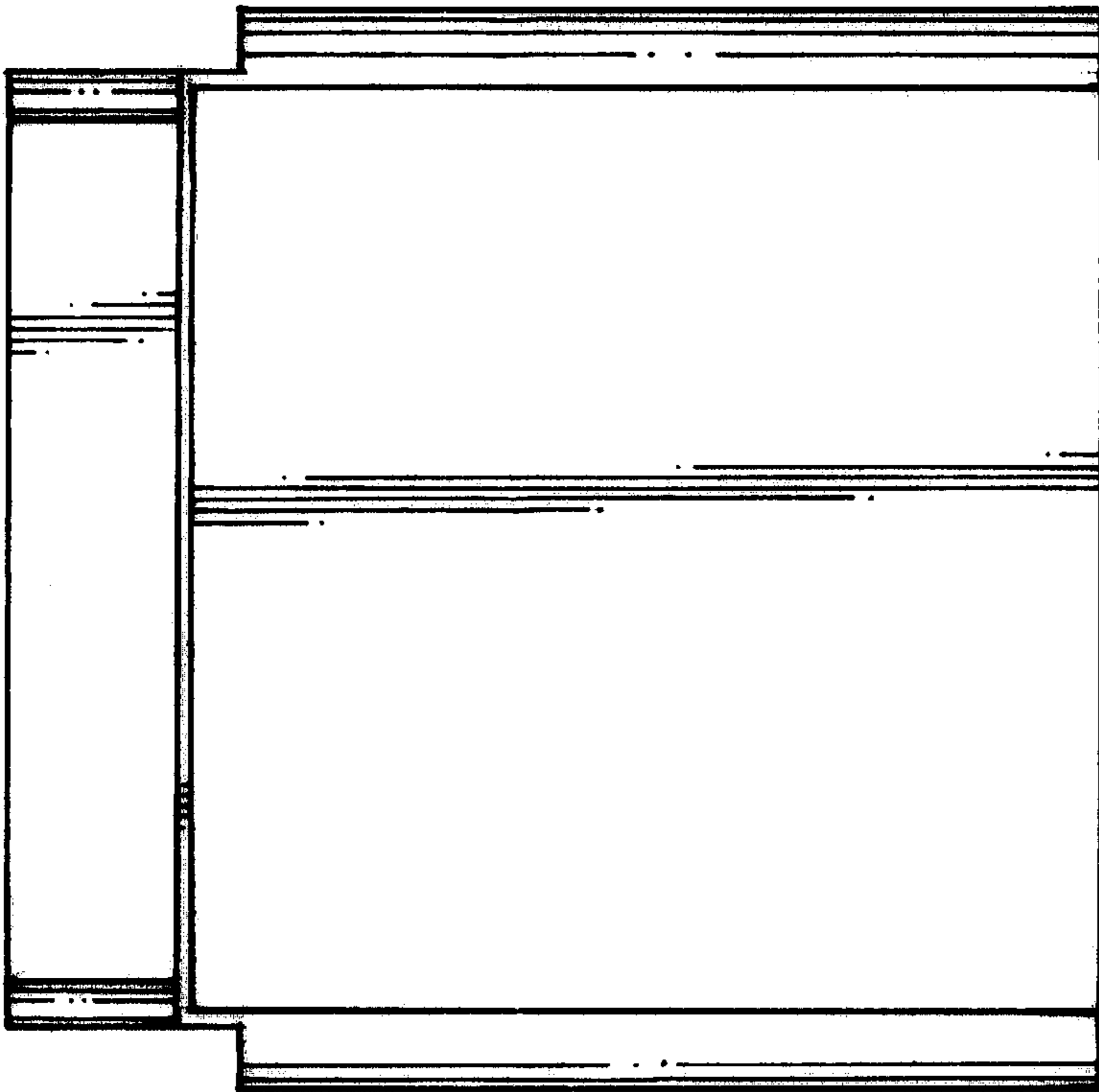


FIG. 2.

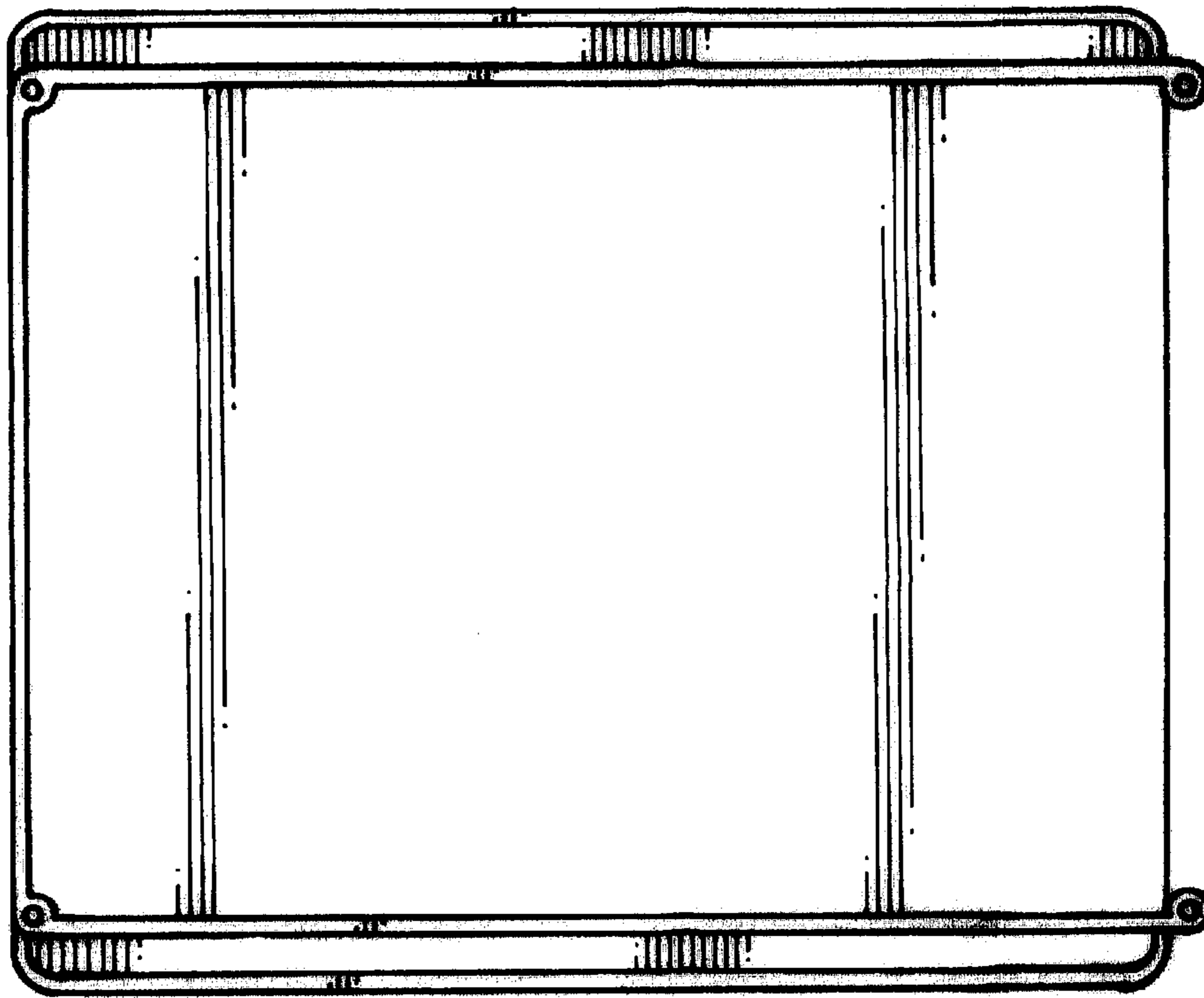


FIG. 5.

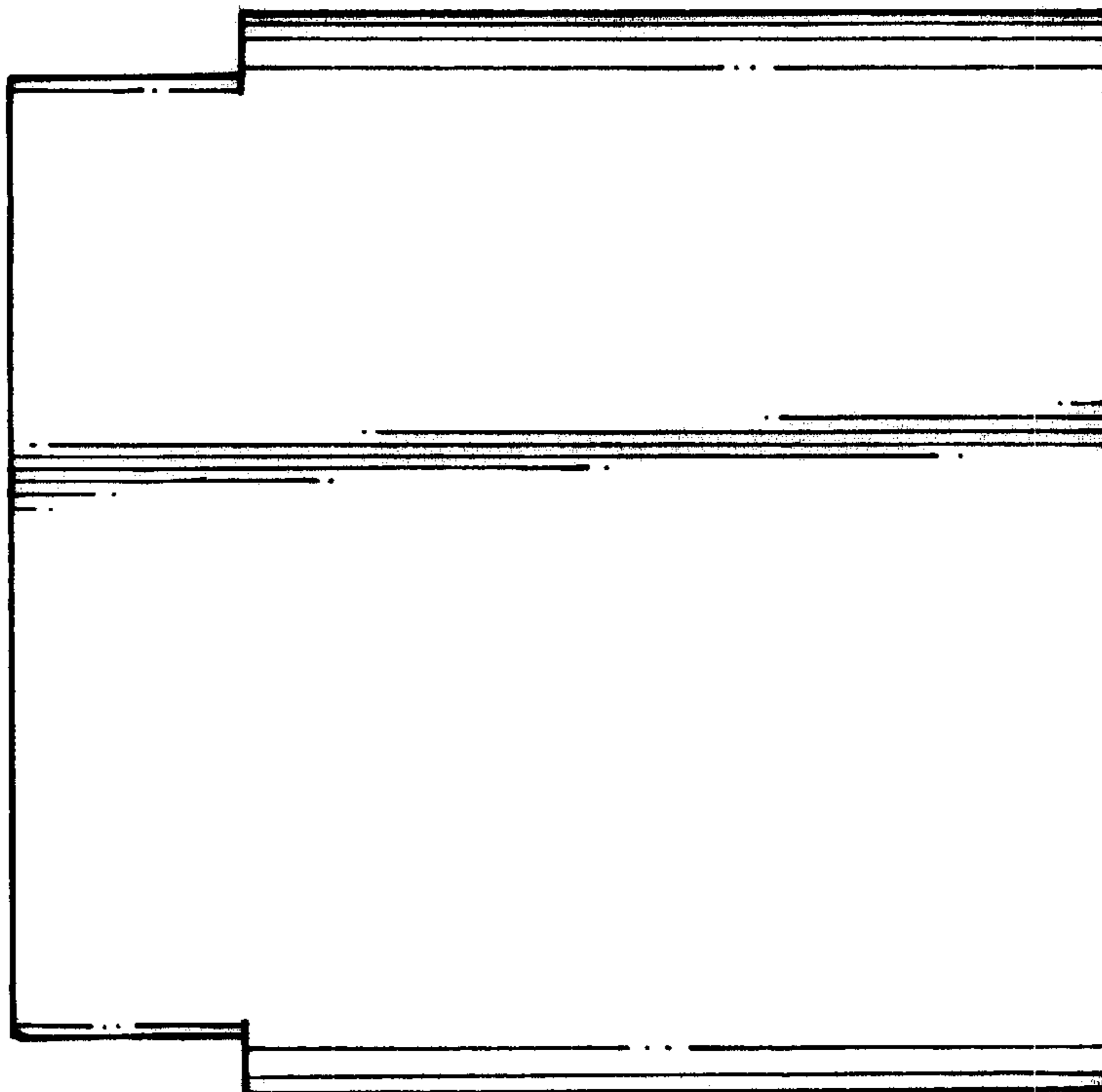


FIG. 3.

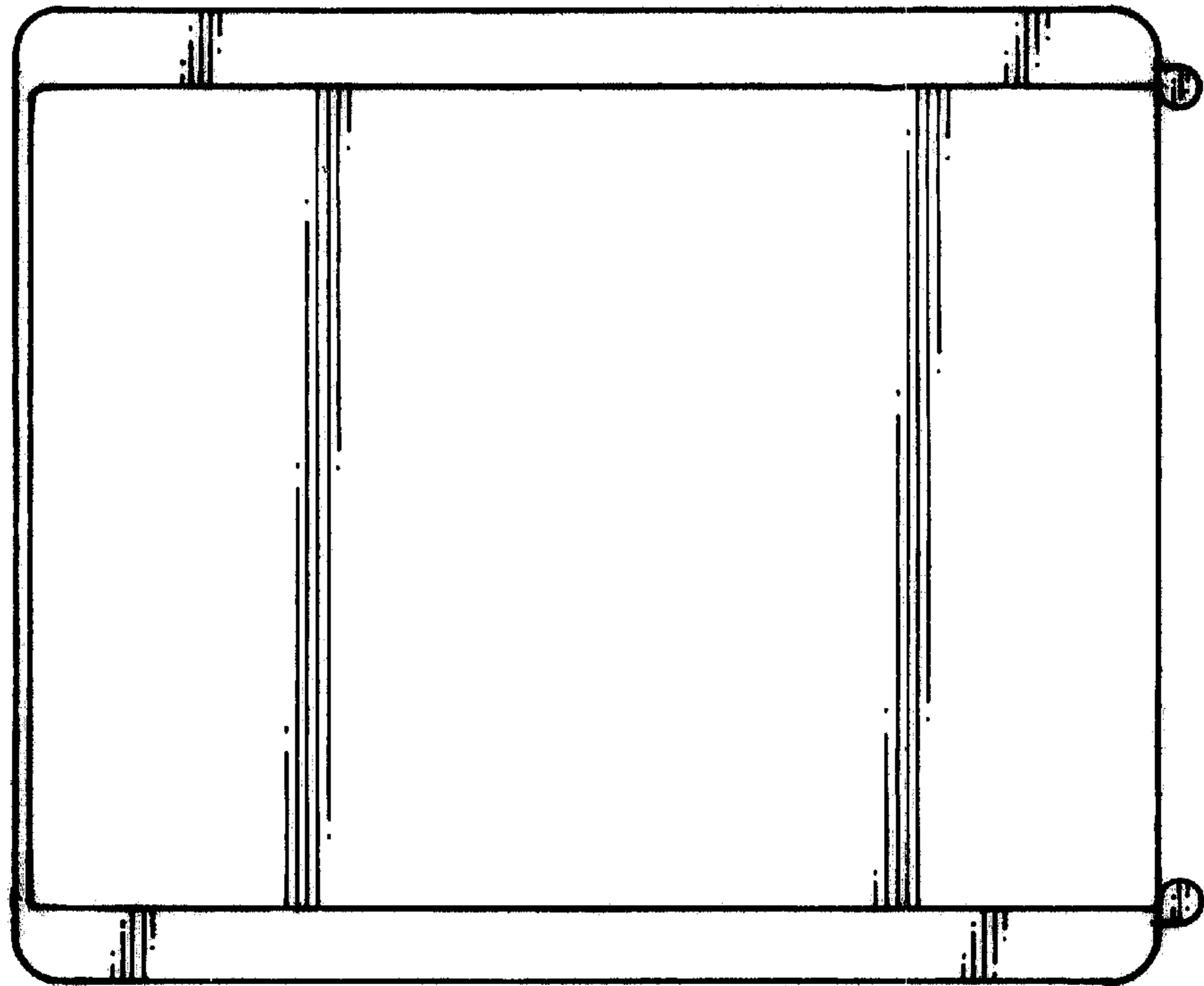


FIG. 6.

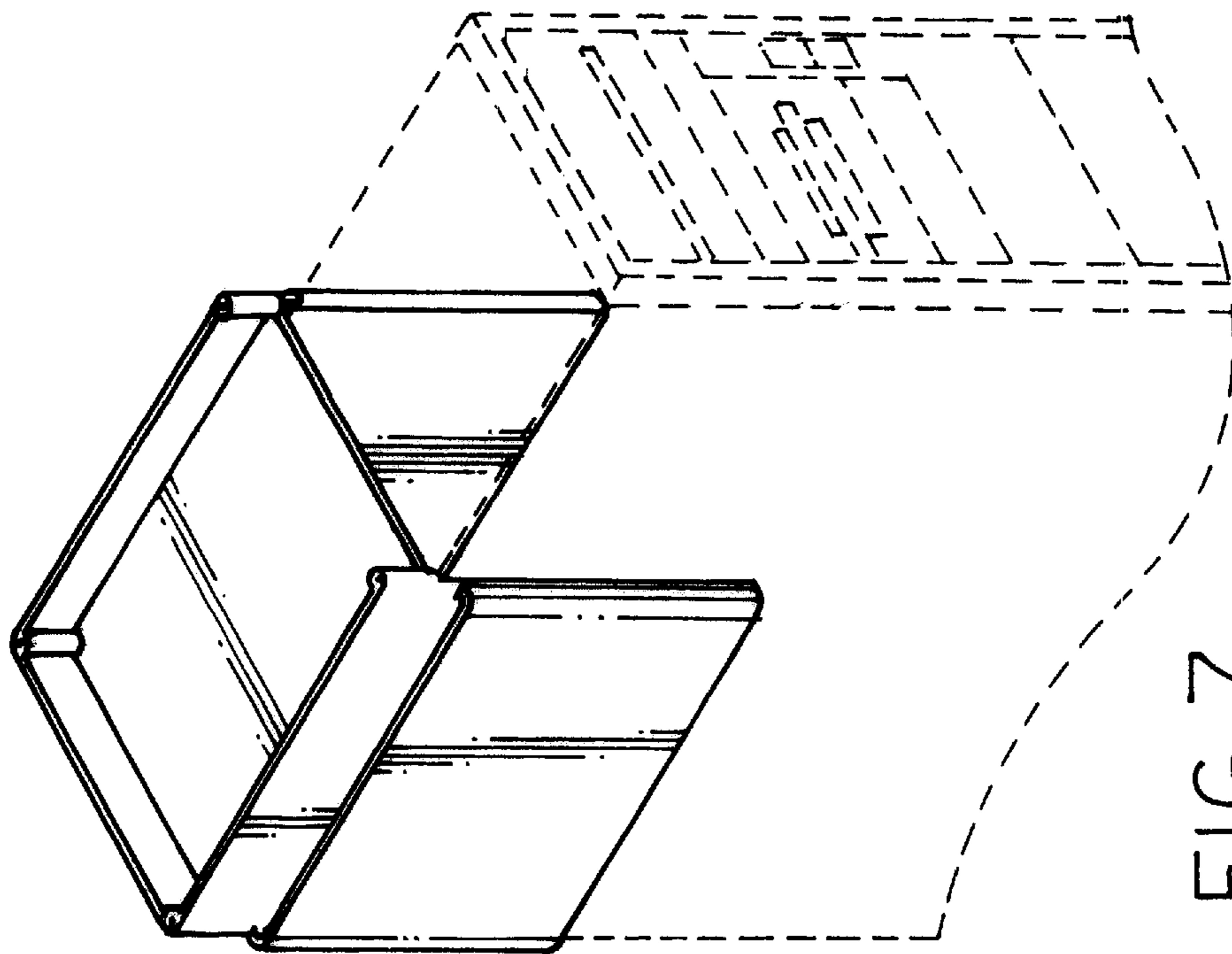


FIG. 7.