



US00D473068S

(12) **United States Design Patent**
Holbrook et al.

(10) **Patent No.:** **US D473,068 S**

(45) **Date of Patent:** **** Apr. 15, 2003**

(54) **DESK**

(75) **Inventors:** **Richard M. Holbrook**, Pasadena, CA (US); **Darren M. Mark**, Valencia, CA (US); **Jeffrey Bentzler**, Los Angeles, CA (US)

(73) **Assignee:** **Virco Mgmt. Corporation**, Torrance, CA (US)

(**) **Term:** **14 Years**

(21) **Appl. No.:** **29/162,671**

(22) **Filed:** **Jun. 19, 2002**

(51) **LOC (7) Cl.** **06-04**

(52) **U.S. Cl.** **D6/428; D6/429; D6/480**

(58) **Field of Search** D6/480-489, 495, D6/499, 422, 425, 429, 428, 511, 420; 108/153.1, 155, 156, 157.1, 161, 50.01, 50.02, 146, 145, 147.19; 248/188, 188.1, 188.8, 423; 312/194-196

(56) **References Cited**

U.S. PATENT DOCUMENTS

D216,710 S * 3/1970 Lambert et al. D6/420
D273,163 S * 3/1984 Halme D6/420

D352,845 S 11/1994 Hellwig et al.
D383,924 S * 9/1997 Dormon et al. D6/480
D398,452 S 9/1998 Reddig
D427,804 S * 7/2000 Olson D6/426
D435,366 S * 12/2000 McClintock et al. D6/480

OTHER PUBLICATIONS

Pages from the catalogues of several different chair manufacturers showing student desk designs.

* cited by examiner

Primary Examiner—Janice E. Seeger

(74) *Attorney, Agent, or Firm*—Sheldon & Mak; Denton L. Anderson; Robert M. Hupe

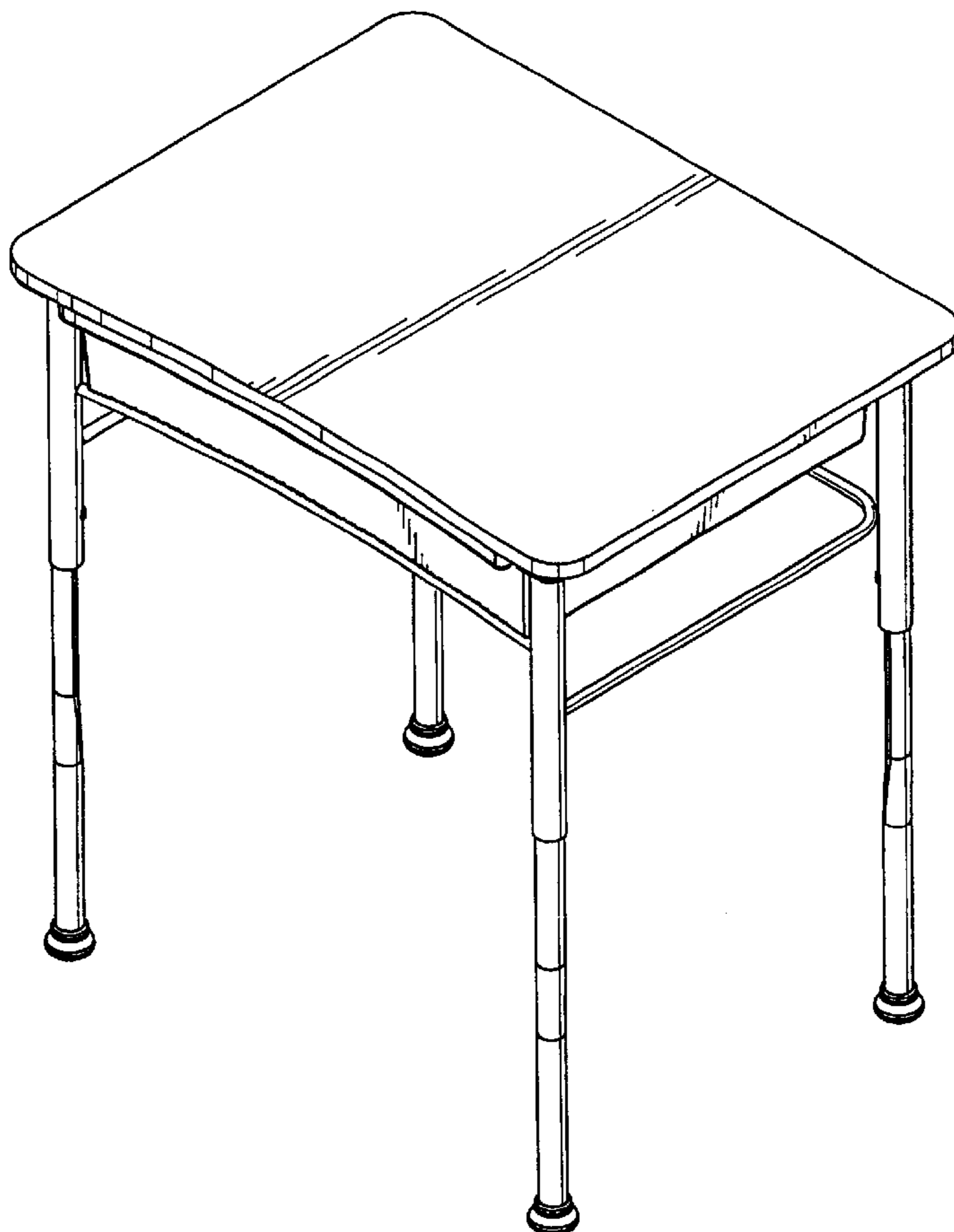
(57) **CLAIM**

The ornamental design for a desk, as shown and described.

DESCRIPTION

FIG. 1 is an isometric view of the desk of the invention; FIG. 2 is a top view of the desk illustrated in FIG. 1; FIG. 3 is a front side view of the desk illustrated in FIG. 1; FIG. 4 is a side view of the desk illustrated in FIG. 1, the reverse side being its mirror image; FIG. 5 is a rear view of the desk illustrated in FIG. 1; and, FIG. 6 is a bottom view of the desk illustrated in FIG. 6.

1 Claim, 3 Drawing Sheets



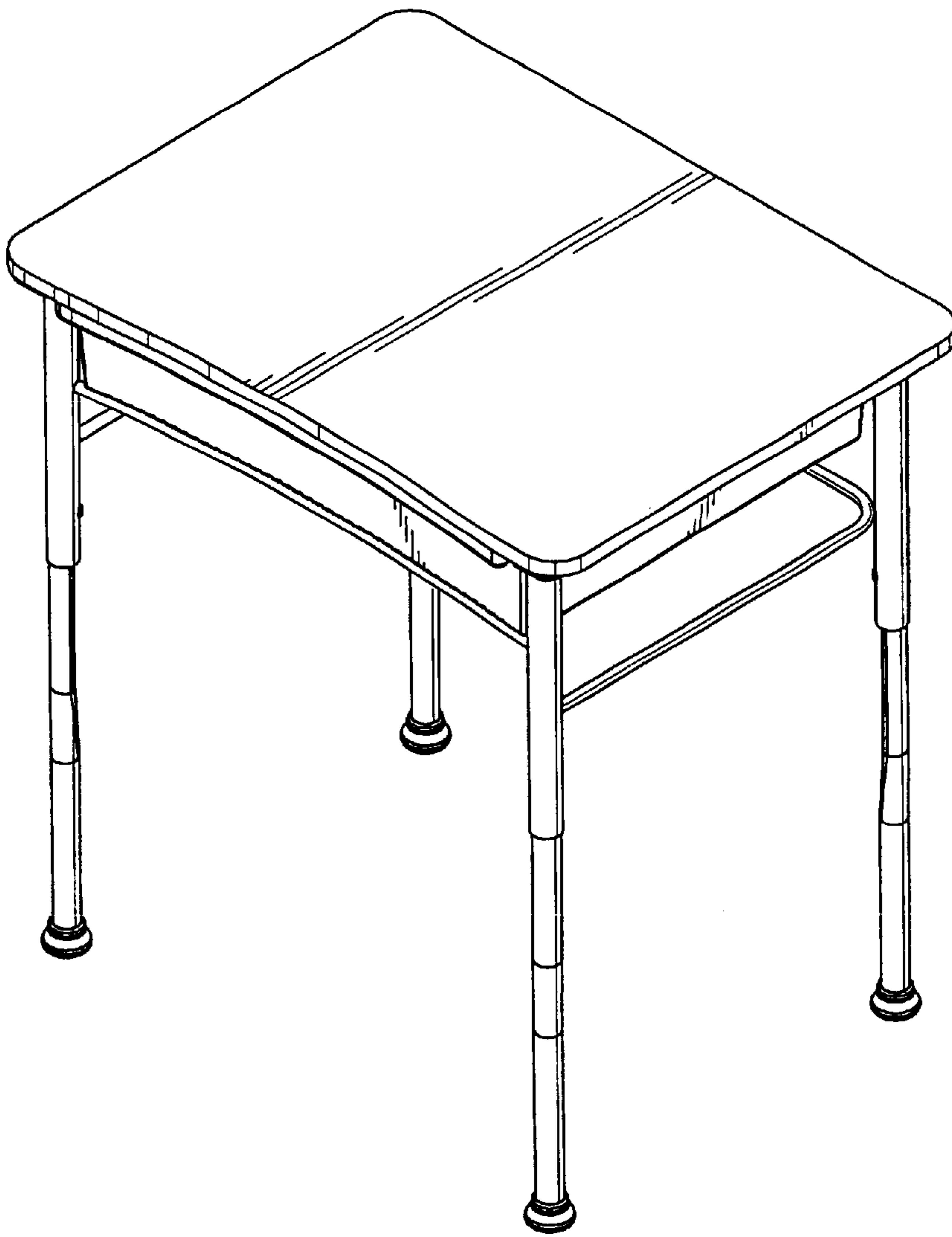


FIG. 1

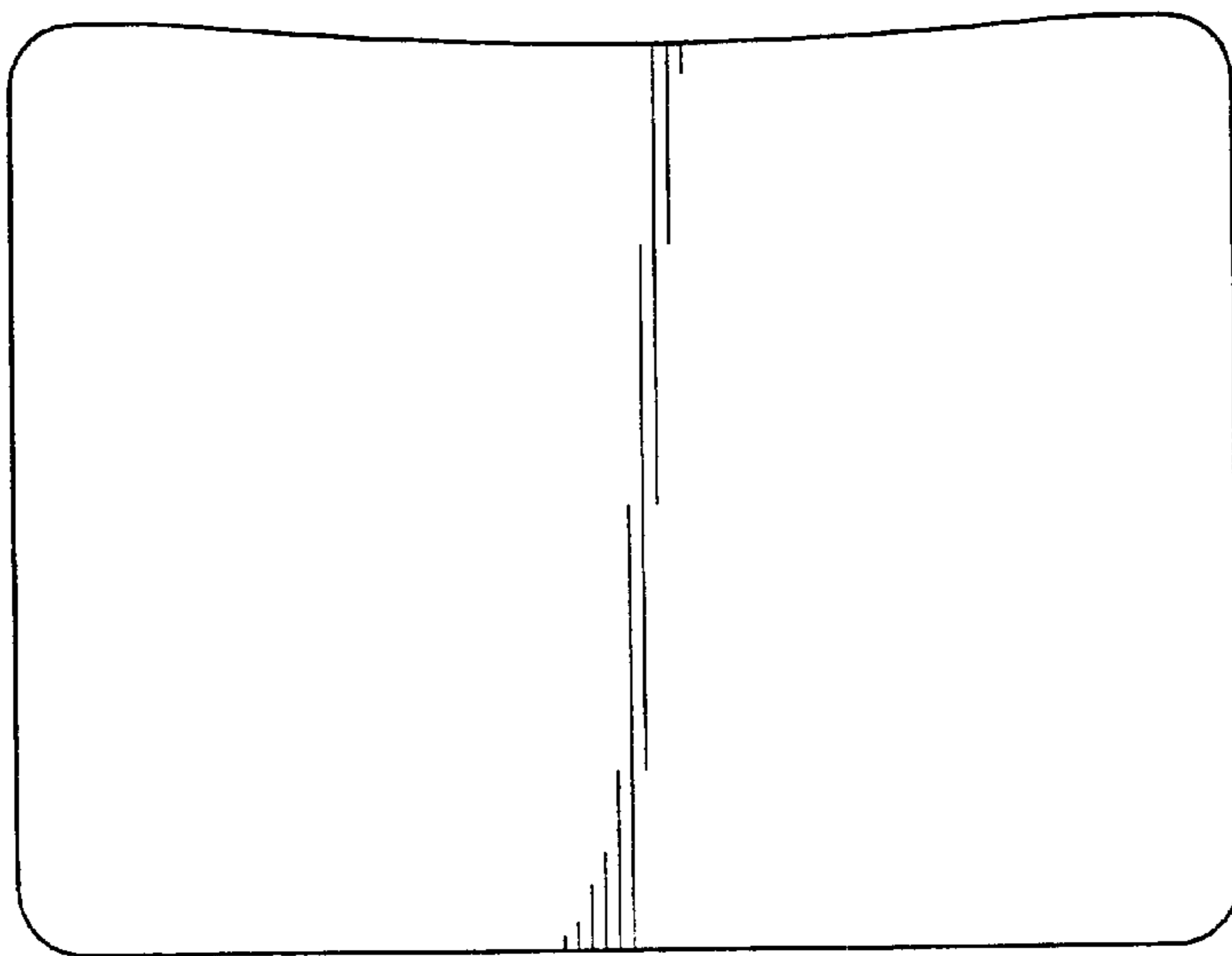


FIG. 2

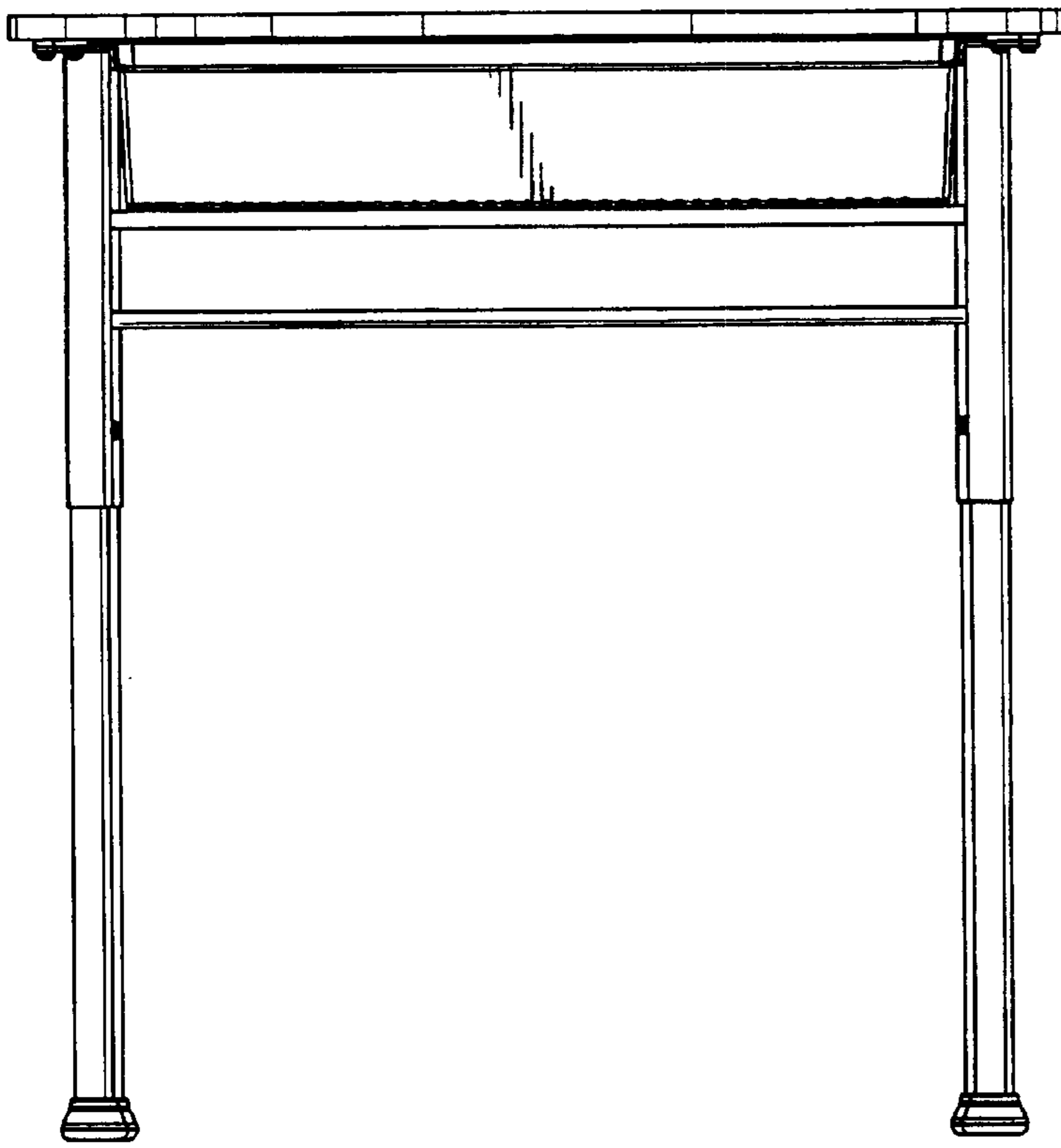


FIG. 3

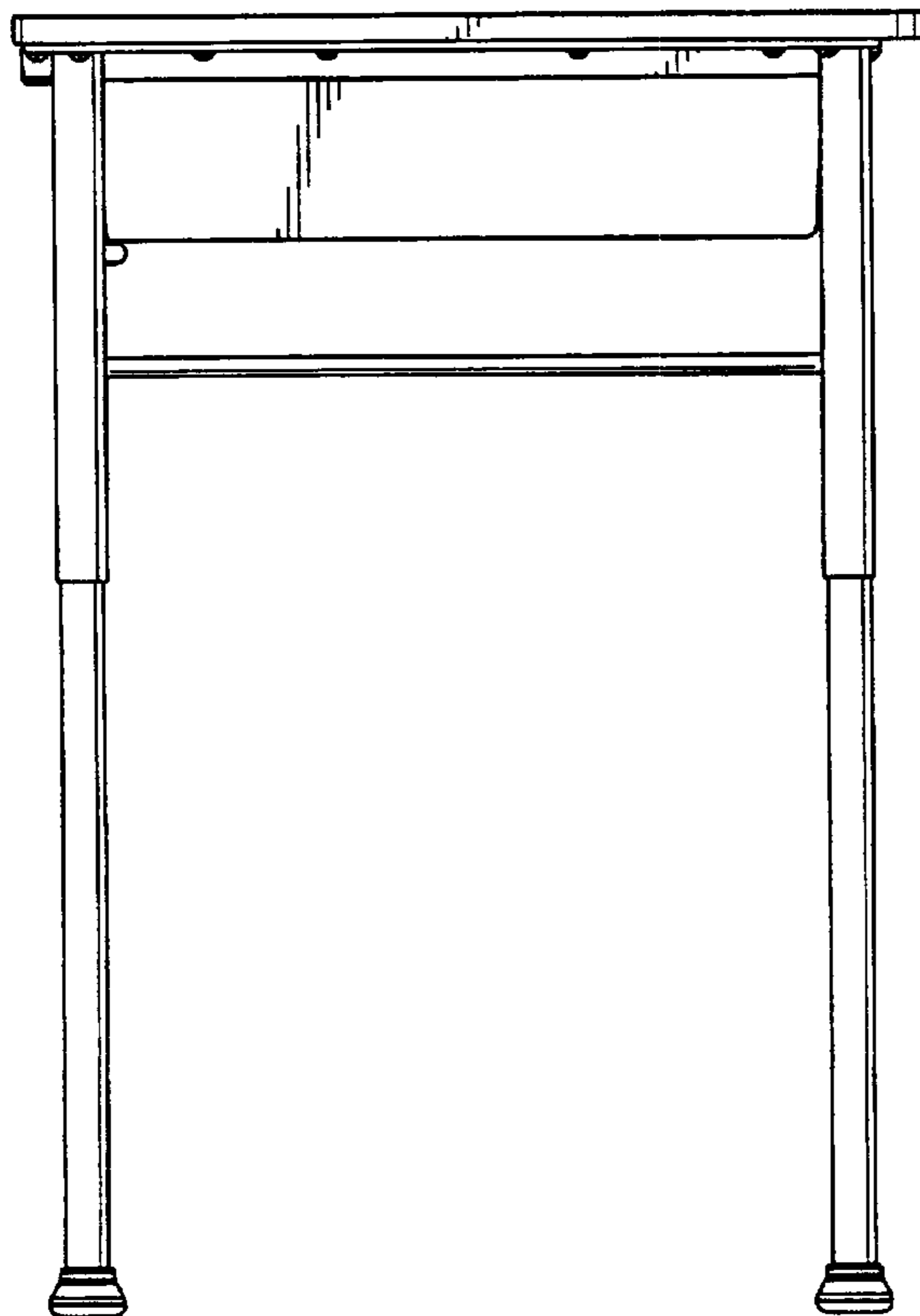


FIG. 4

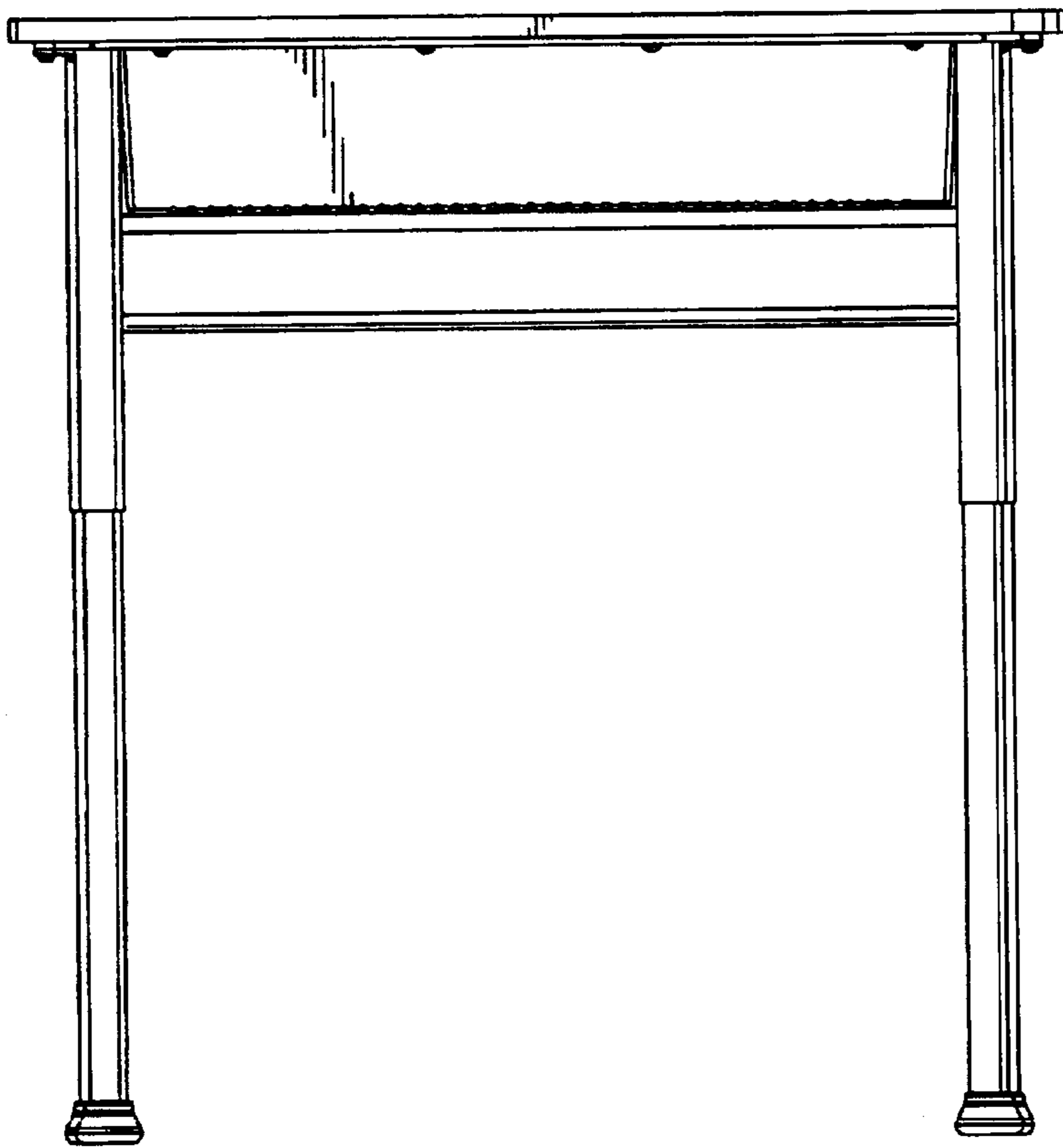


FIG. 5

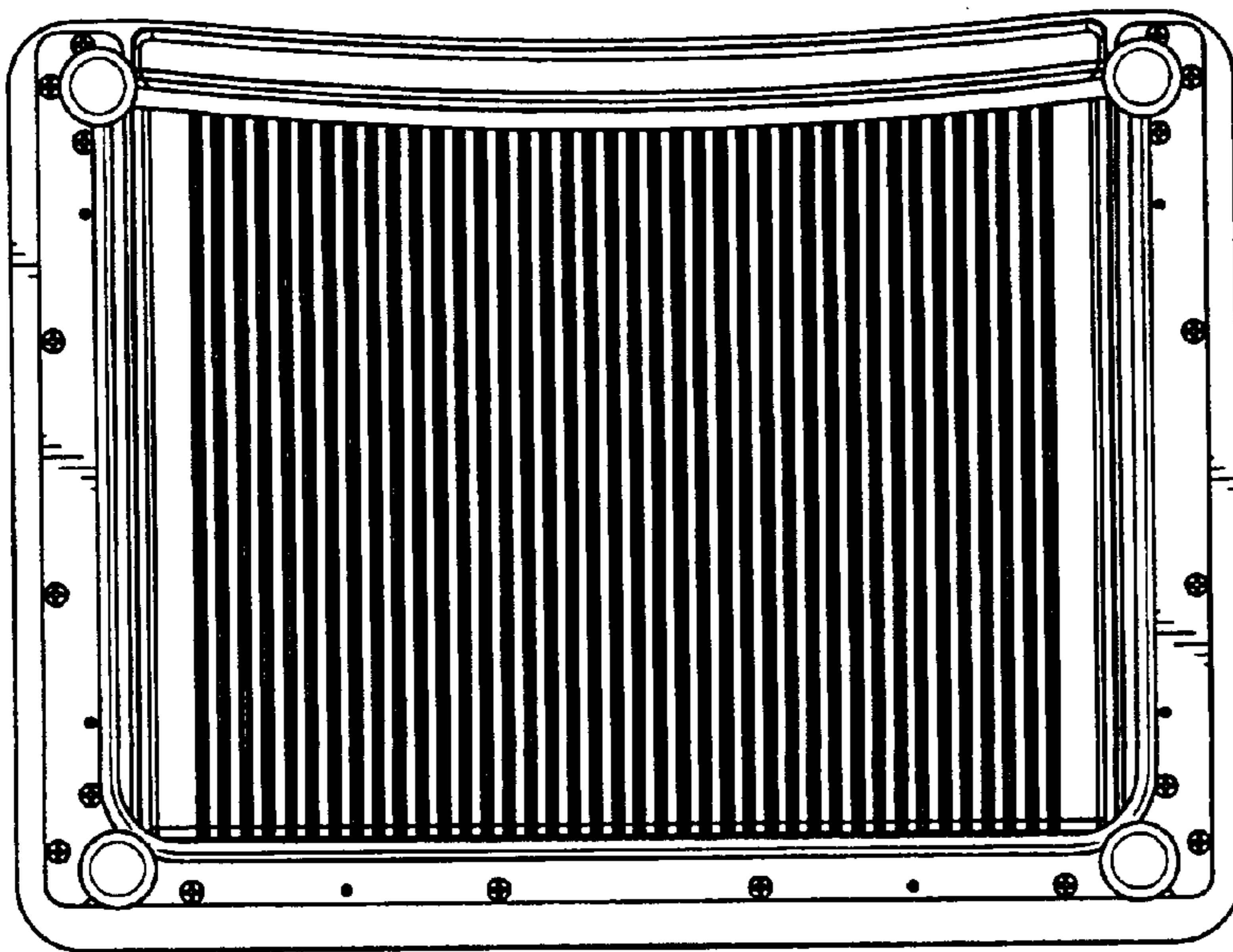


FIG. 6