



US00D473067S

(12) **United States Design Patent**
Chang

(10) **Patent No.:** **US D473,067 S**

(45) **Date of Patent:** **** Apr. 15, 2003**

(54) **COMPUTER TABLE**

D456,632 S * 5/2002 Chang D6/425
D462,195 S * 9/2002 Wang D6/425

(76) Inventor: **Wu-De Chang**, No. 27, Alley 43, Lane 192, Sec. 1, Dong-Shan Rd., Tai-Chung City (TW)

* cited by examiner

(**) Term: **14 Years**

Primary Examiner—Janice E. Seeger
(74) *Attorney, Agent, or Firm*—Charles E. Baxley

(21) Appl. No.: **29/162,196**

(57) **CLAIM**

(22) Filed: **Jun. 12, 2002**

The ornamental design for computer table, as shown and described.

(51) **LOC (7) Cl.** **06-04**

DESCRIPTION

(52) **U.S. Cl.** **D6/425; D6/426**

FIG. 1 is a perspective view of a computer table showing our new design thereof;

(58) **Field of Search** D6/422–428, 477, D6/479; 312/194–196, 204, 208.1, 208.2, 208.4, 239; 108/50.01, 50.02

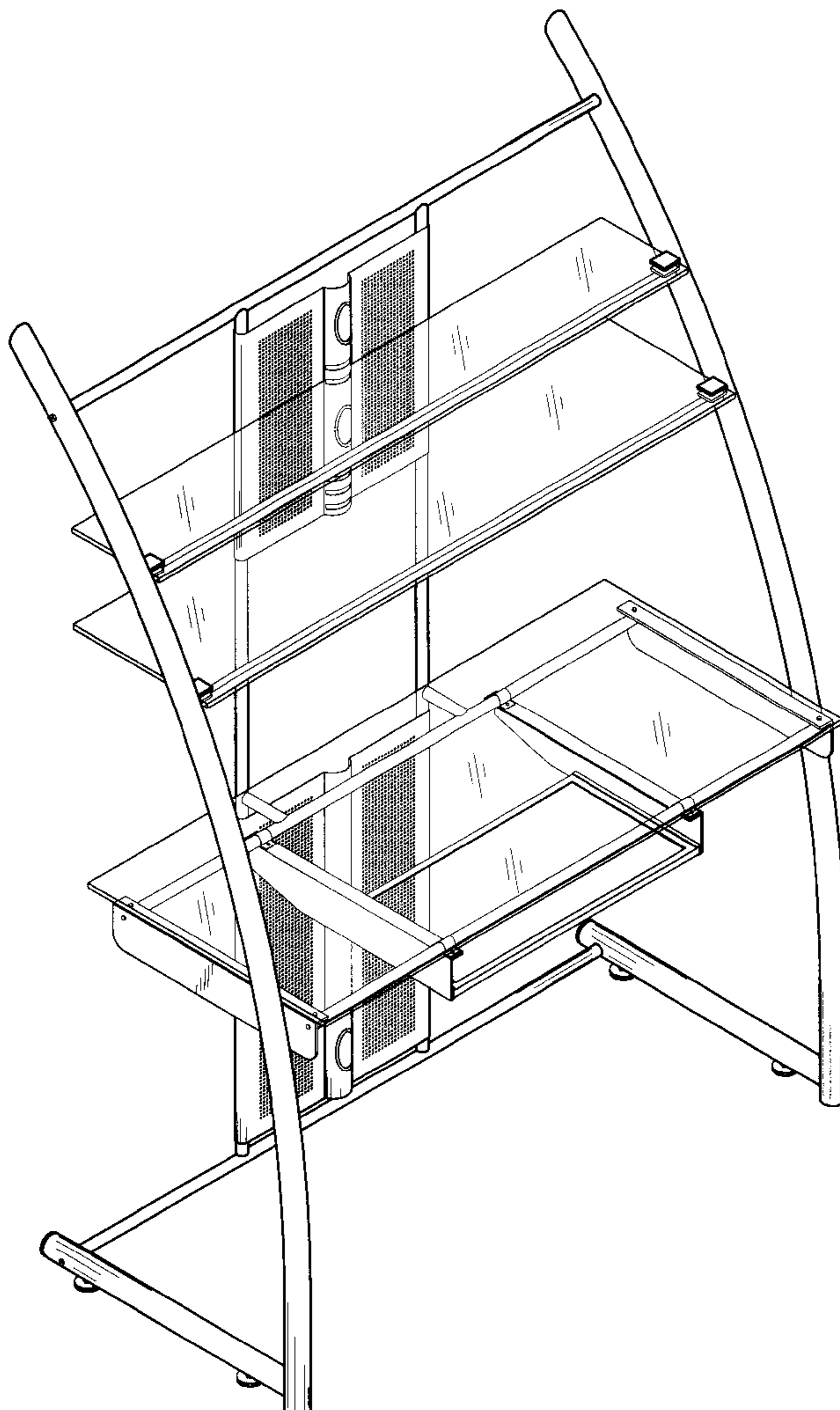
FIG. 2 is a front elevational view thereof;
FIG. 3 is a rear elevational view thereof;
FIG. 4 is a left side elevational view thereof;
FIG. 5 is a right side elevational view thereof;
FIG. 6 is a top plan view thereof; and,
FIG. 7 is a bottom plan view thereof.

(56) **References Cited**

U.S. PATENT DOCUMENTS

5,088,420 A * 2/1992 Russell 108/106
D456,170 S * 4/2002 Chang D6/425

1 Claim, 6 Drawing Sheets



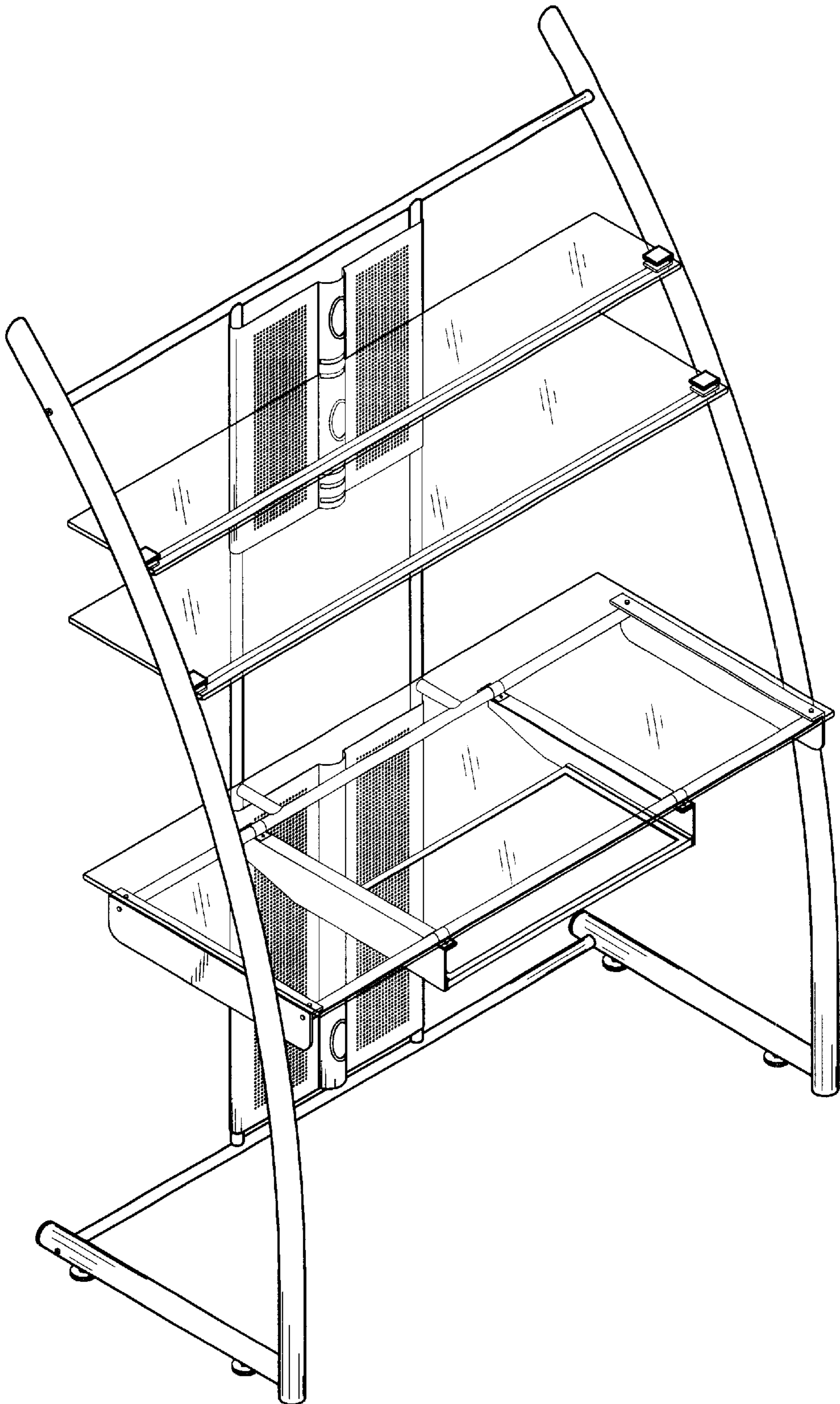


Fig. 1

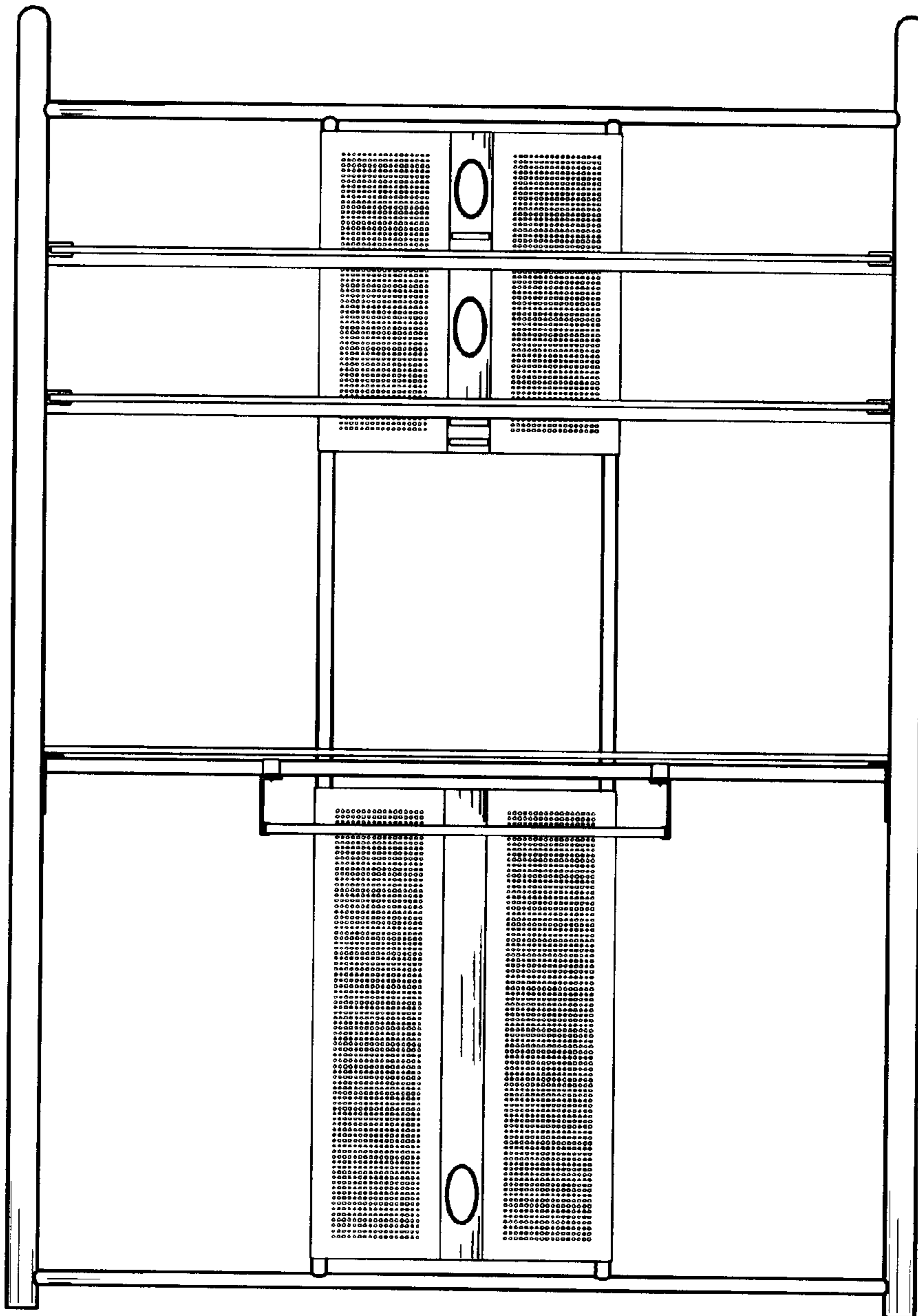


Fig. 2

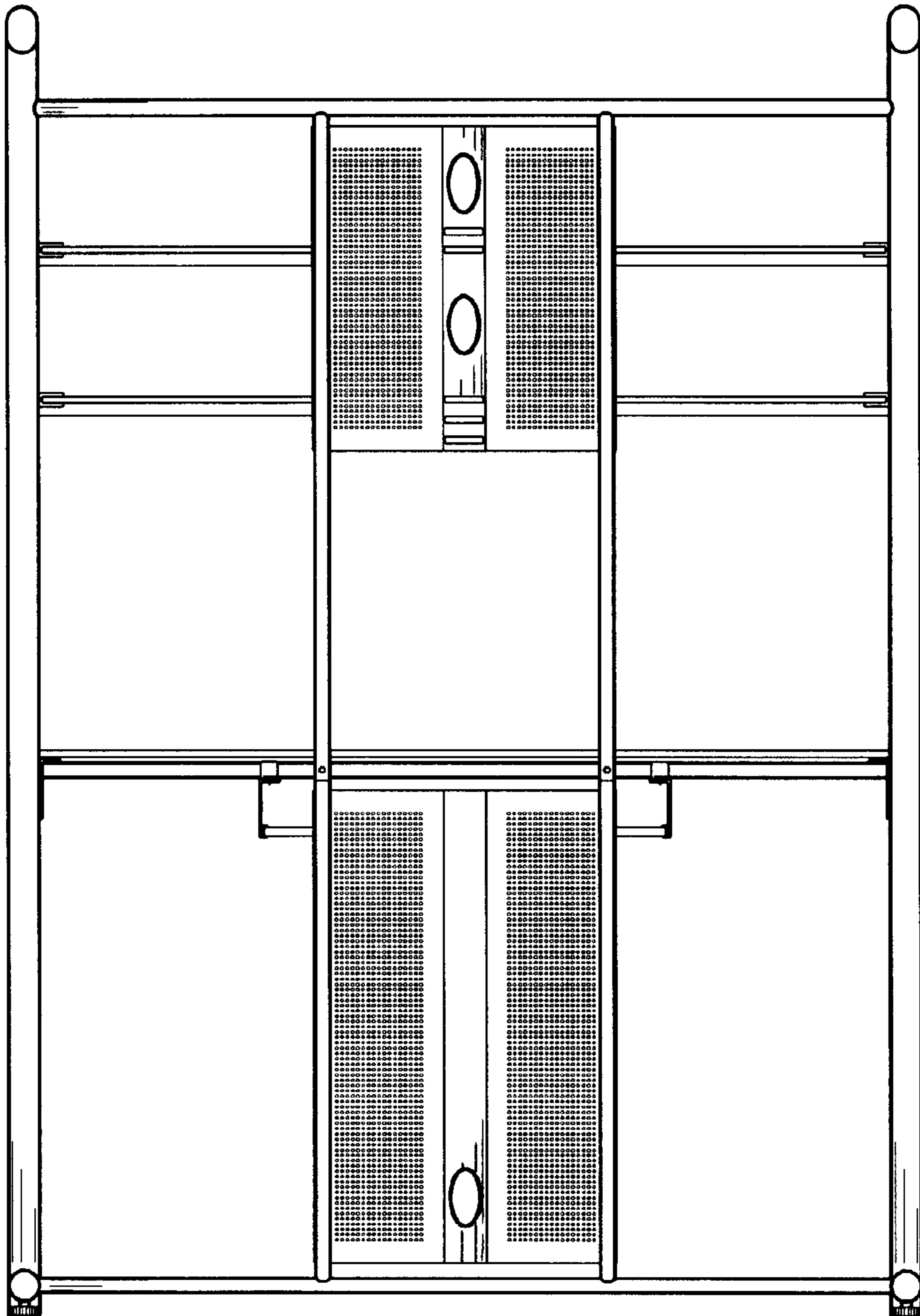


Fig. 3

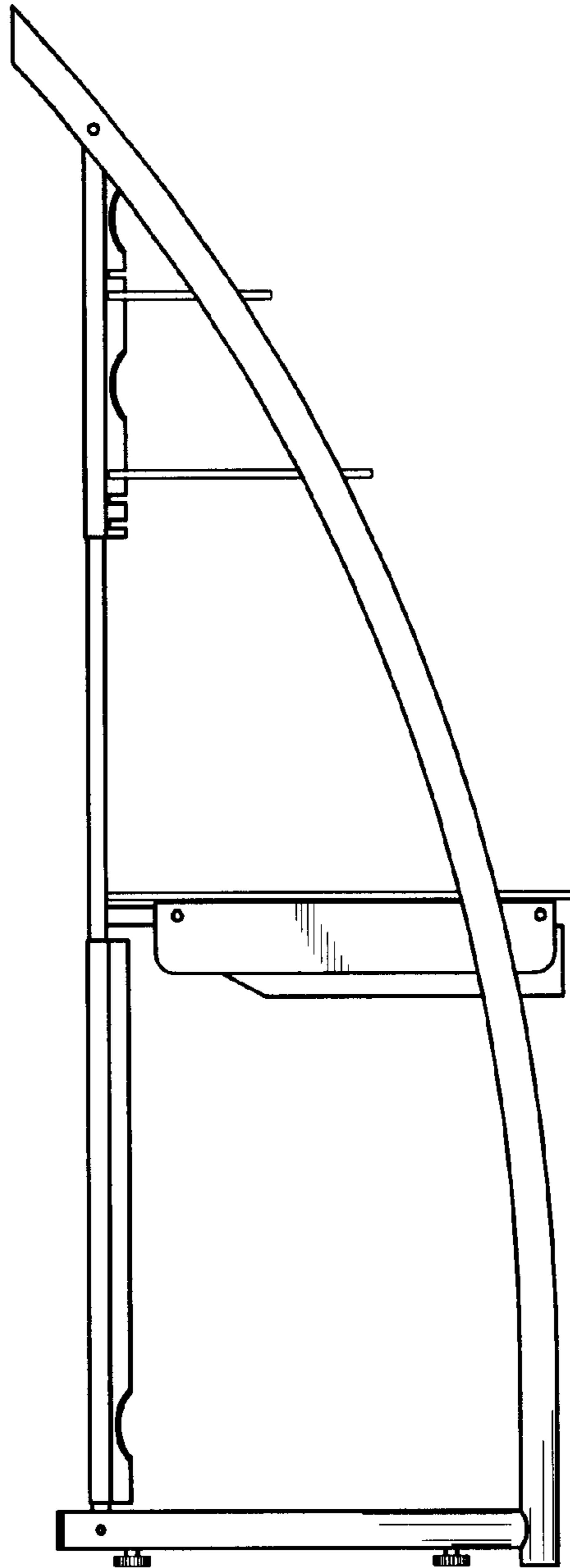


Fig.4

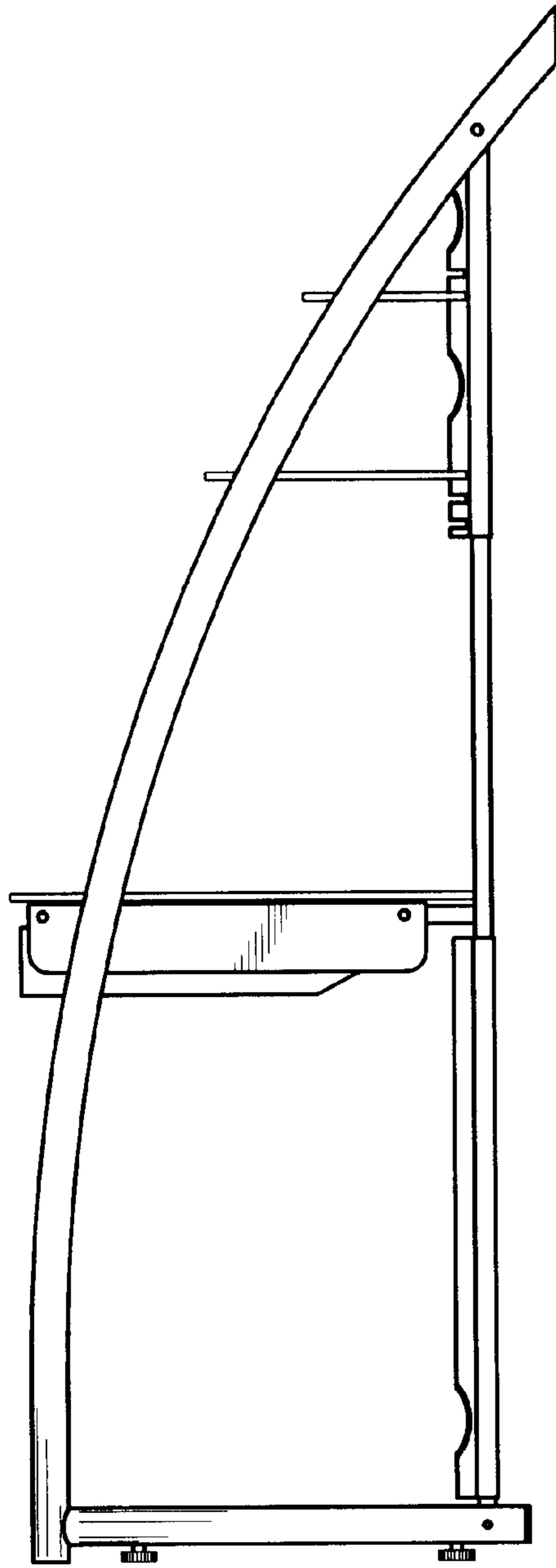


Fig. 5

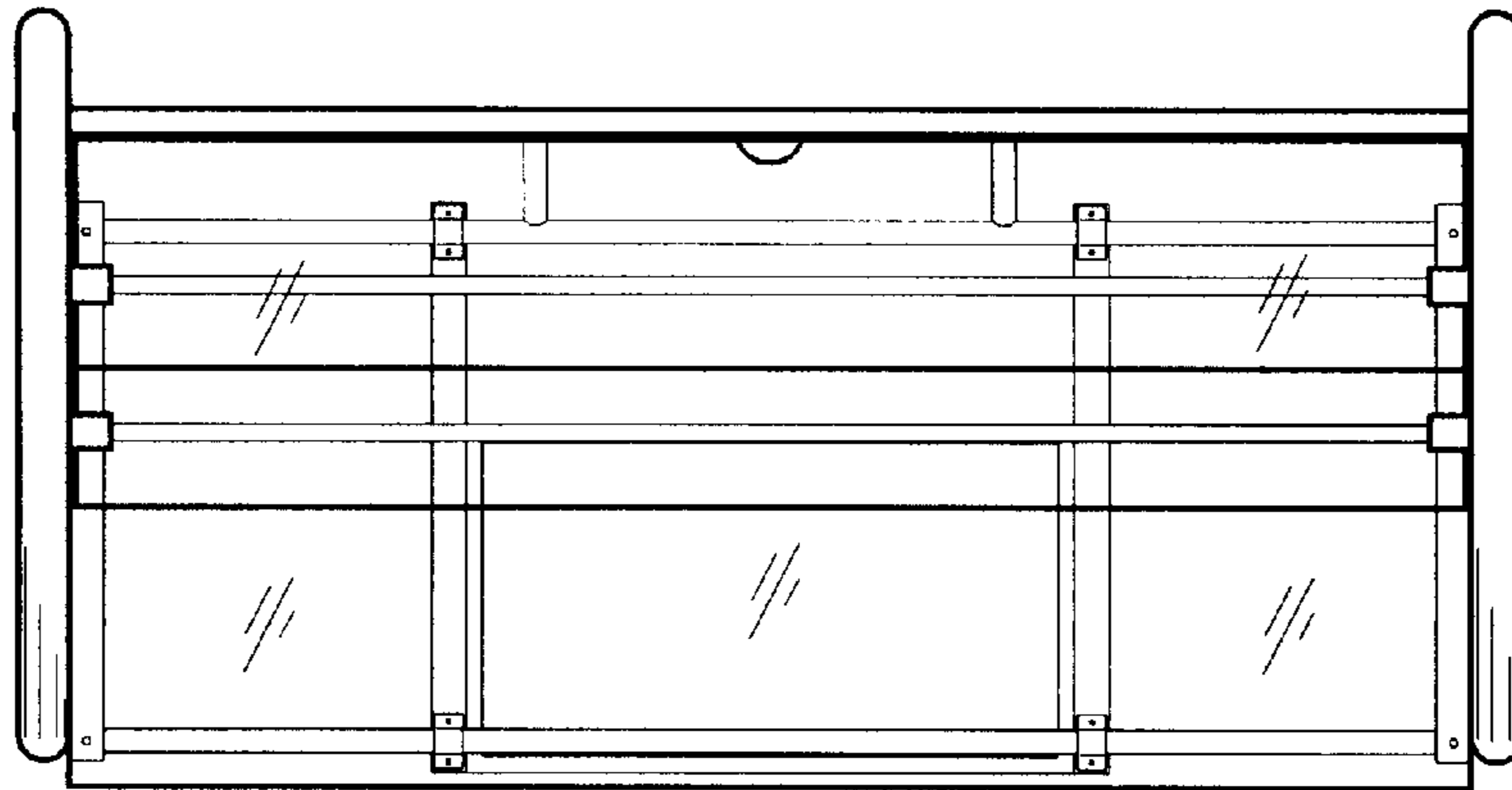


Fig.6

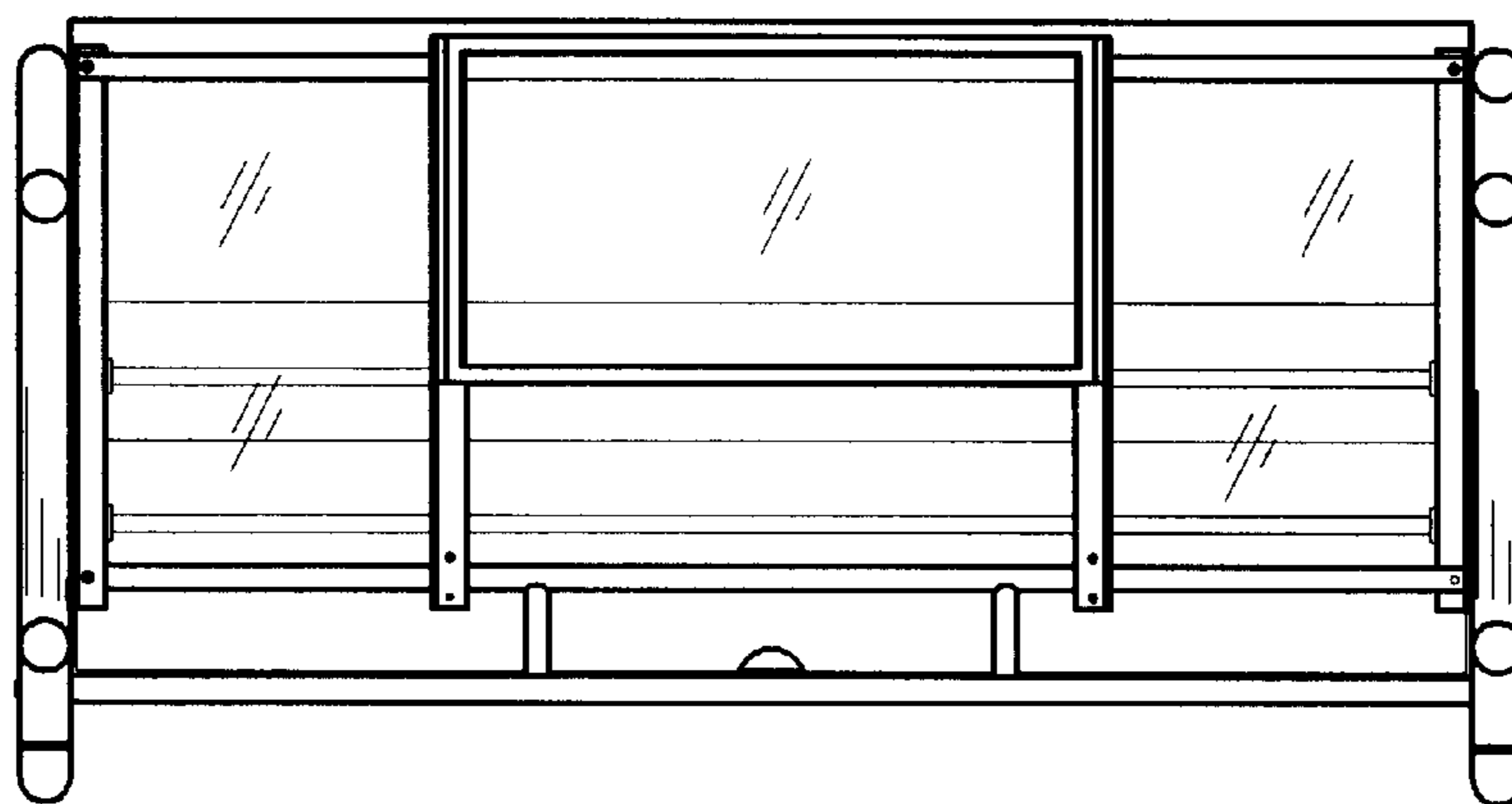


Fig.7