



US00D473066S

(12) **United States Design Patent**
Kwok

(10) **Patent No.:** **US D473,066 S**

(45) **Date of Patent:** **** Apr. 15, 2003**

(54) **STORAGE RACK FOR COMPACT DISCS,
CASSETTES, AND THE LIKE**

(75) **Inventor:** **Tat Cheong Kwok, Hong Kong (HK)**

(73) **Assignee:** **Kwok's Brother Manufacturing
Limited, Chaiwan (HK)**

(**) **Term:** **14 Years**

(21) **Appl. No.:** **29/160,784**

(22) **Filed:** **May 17, 2002**

(30) **Foreign Application Priority Data**

Apr. 26, 2002 (HK) 0210566

(51) **LOC (7) Cl.** **06-04**

(52) **U.S. Cl.** **D6/407; D6/411; D6/450;
D6/630**

(58) **Field of Search** **D6/407, 629, 630,
D6/449, 465, 477, 478, 479, 552, 450,
108/1, 3, 59, 60, 93, 94, 96, 147.11, 147.17,
150; 211/85.3, 34, 36, 42, 50, 70, 90.01,
90.04, 115, 144, 163; 312/9.1, 9.47, 9.48,
9.52, 9.53, 9.54**

(56) **References Cited**

U.S. PATENT DOCUMENTS

D85,502 S	*	11/1931	Wilhelm	D6/450
2,922,527 A	*	1/1960	Finn	211/40
D285,266 S	*	8/1986	Bowsher	D6/412
D320,515 S	*	10/1991	Staton	D6/411
D335,399 S	*	5/1993	Hubbard	D6/412
D341,500 S	*	11/1993	Klein et al.	D6/411

5,415,297 A	*	5/1995	Klein et al.	211/40
D398,787 S	*	9/1998	Malik	D6/411
D403,880 S	*	1/1999	Malik	D6/411
D424,320 S	*	5/2000	Klein et al.	D6/411
6,321,918 B1	*	11/2001	Rollins	211/40

* cited by examiner

Primary Examiner—Cathron C. Brooks

(74) *Attorney, Agent, or Firm*—Dorsey & Whitney LLP

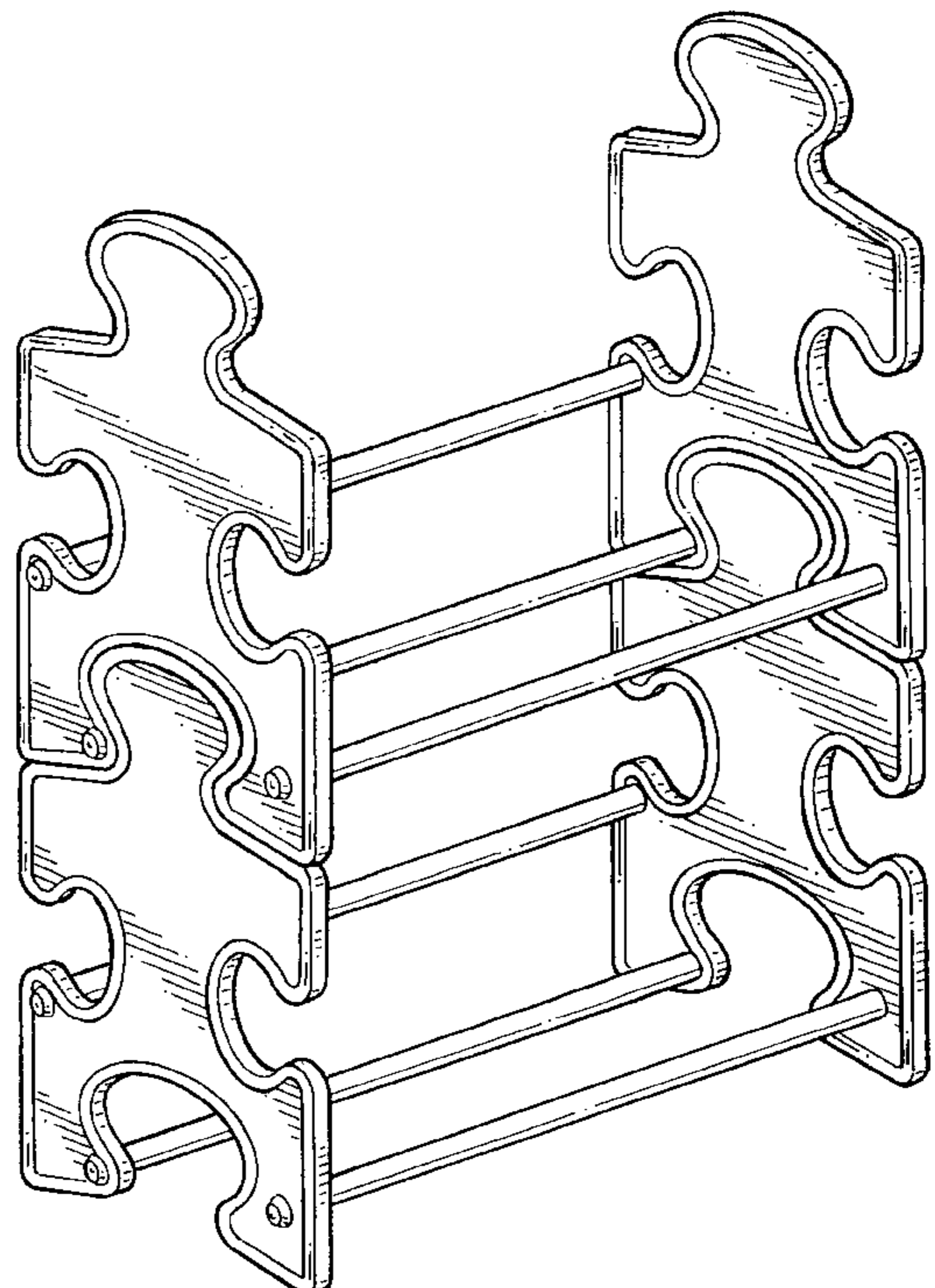
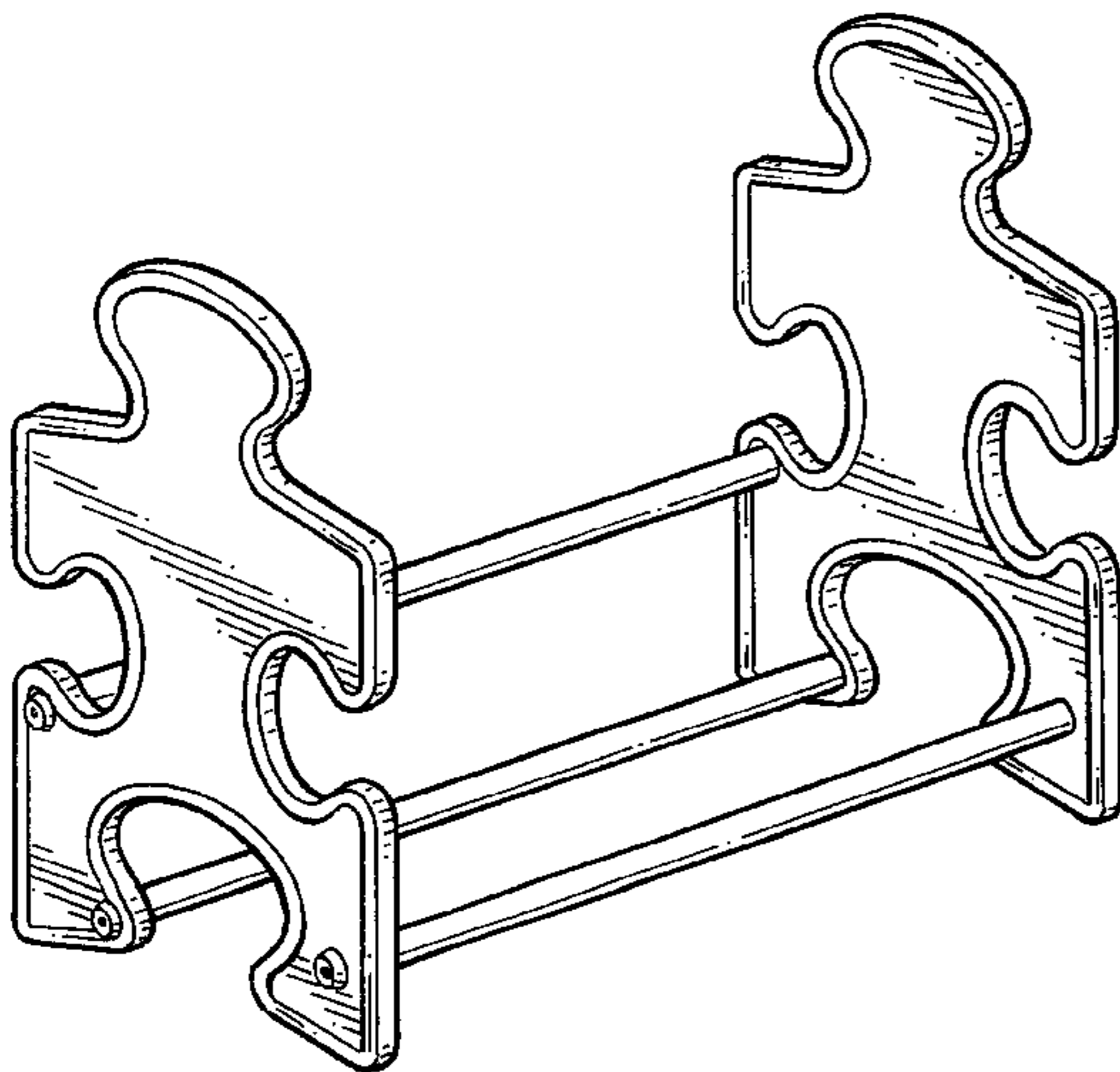
(57) **CLAIM**

The ornamental design for a storage rack for compact discs, cassettes, and the like, as shown and described.

DESCRIPTION

FIG. 1 is a perspective front left side of the rack showing a first embodiment of my new ornamental design;
 FIG. 2 is a front elevational view thereof;
 FIG. 3 is a rear elevational view thereof;
 FIG. 4 is a left elevational view thereof;
 FIG. 5 is a right elevational view thereof;
 FIG. 6 is a perspective view from front left side of a second embodiment of my new ornamental design, illustrating two articles in a stacked arrangement thereof;
 FIG. 7 is a front elevational view, illustrating two articles in a stacked arrangement thereof;
 FIG. 8 is a rear elevational view, illustrating two articles in a stacked arrangement thereof;
 FIG. 9 is a left elevational view, illustrating two articles in a stacked arrangement thereof; and,
 FIG. 10 is a right elevational view, illustrating two articles in a stacked arrangement thereof.

1 Claim, 10 Drawing Sheets



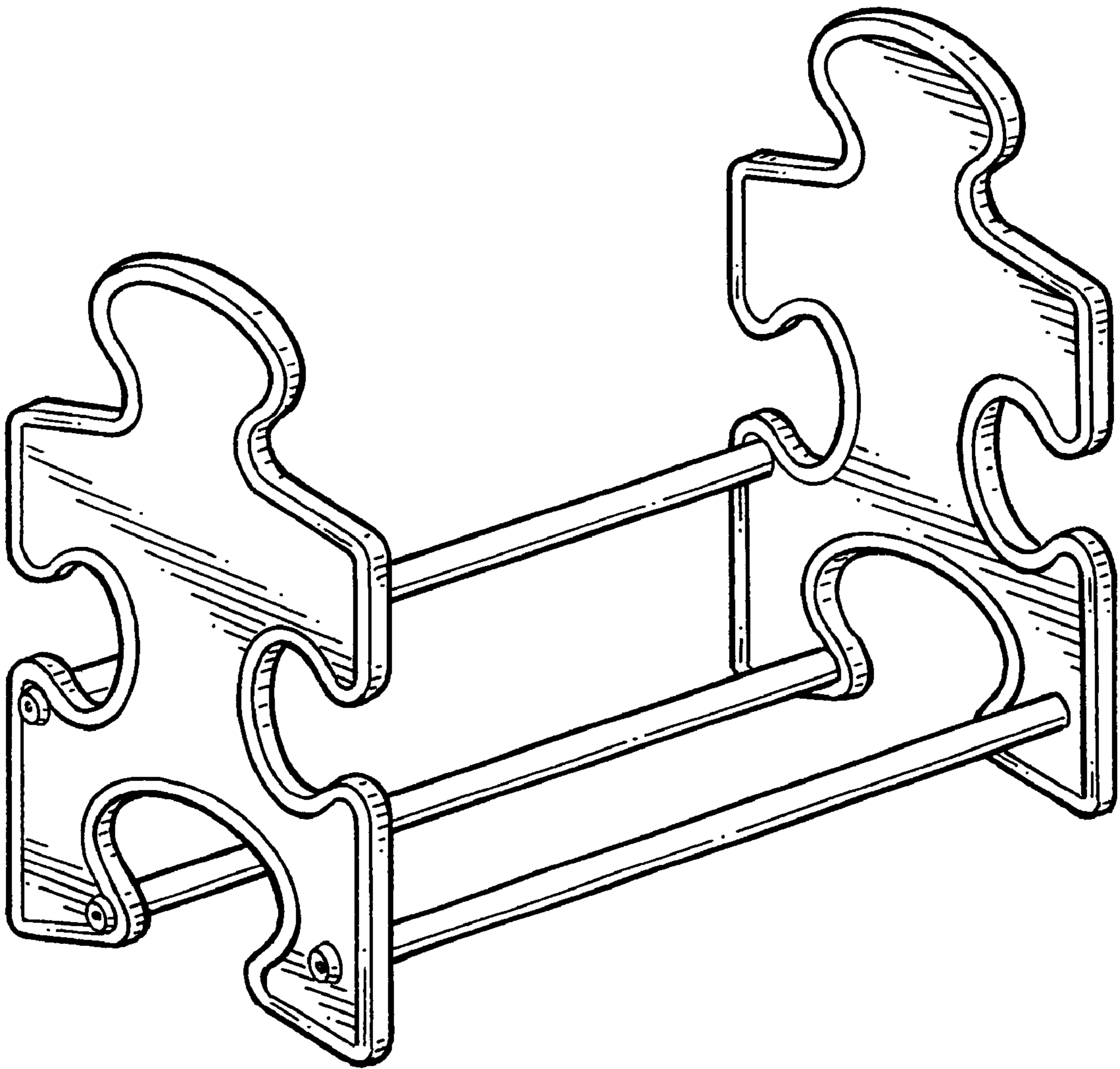


FIG. 1

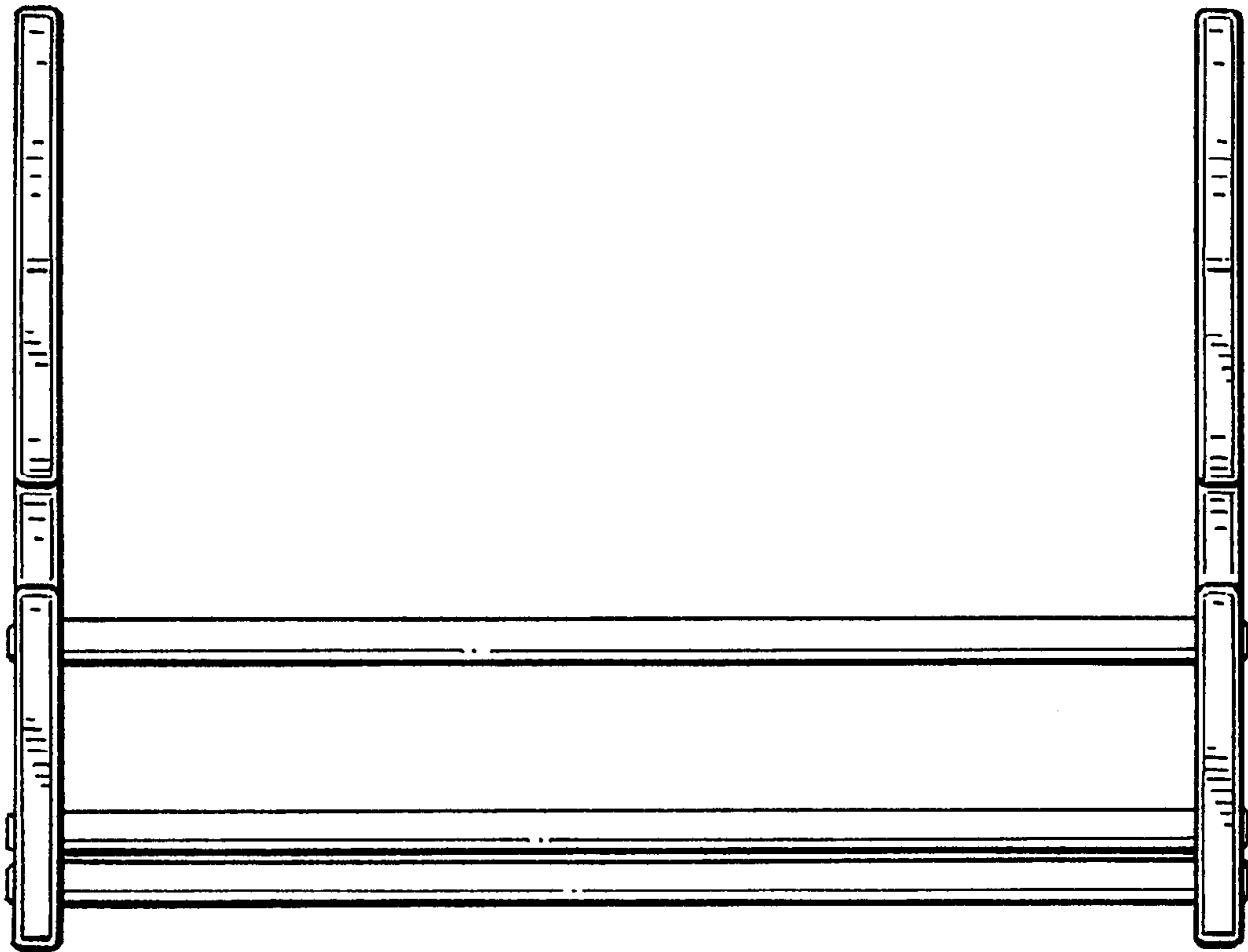


FIG. 2

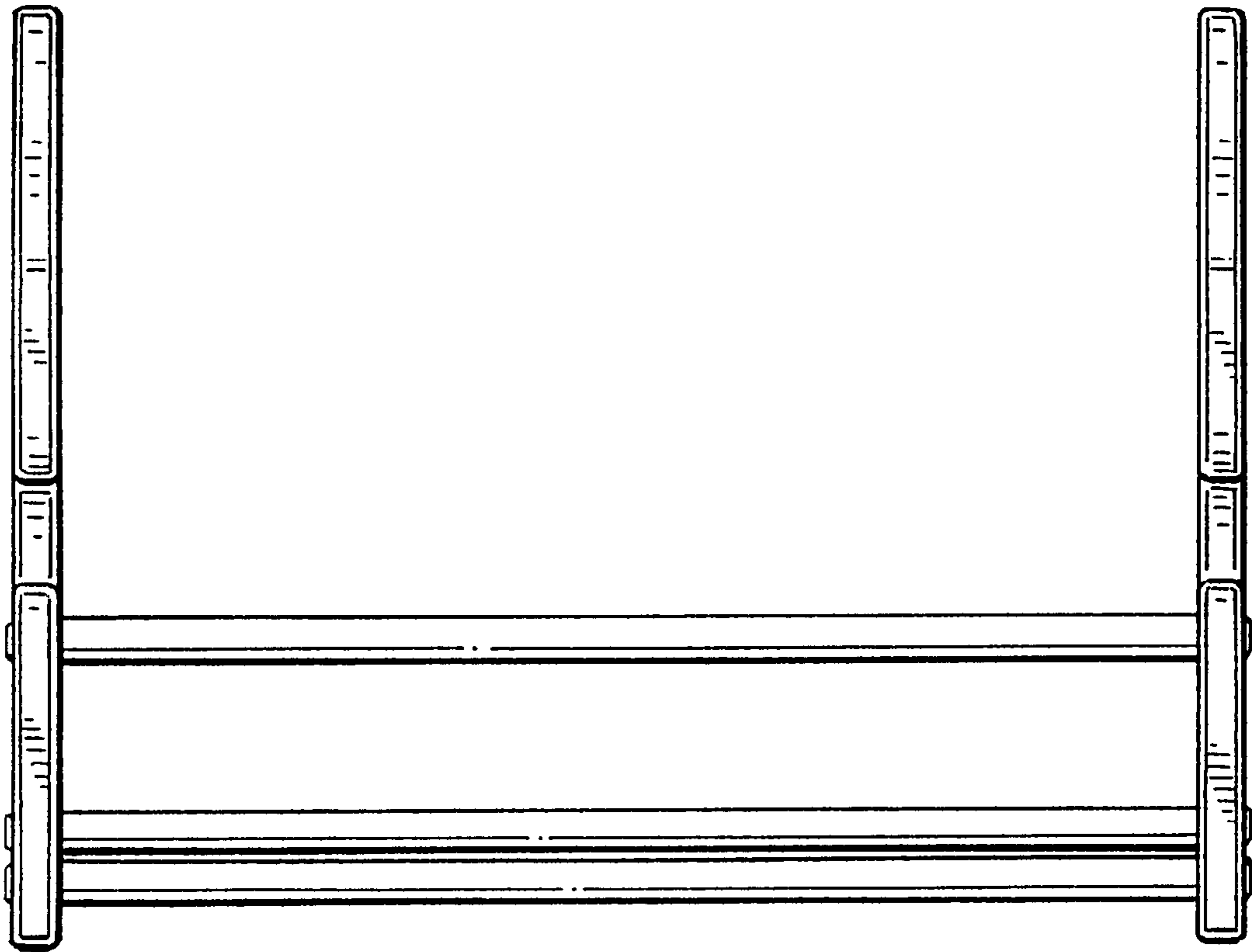


FIG. 3

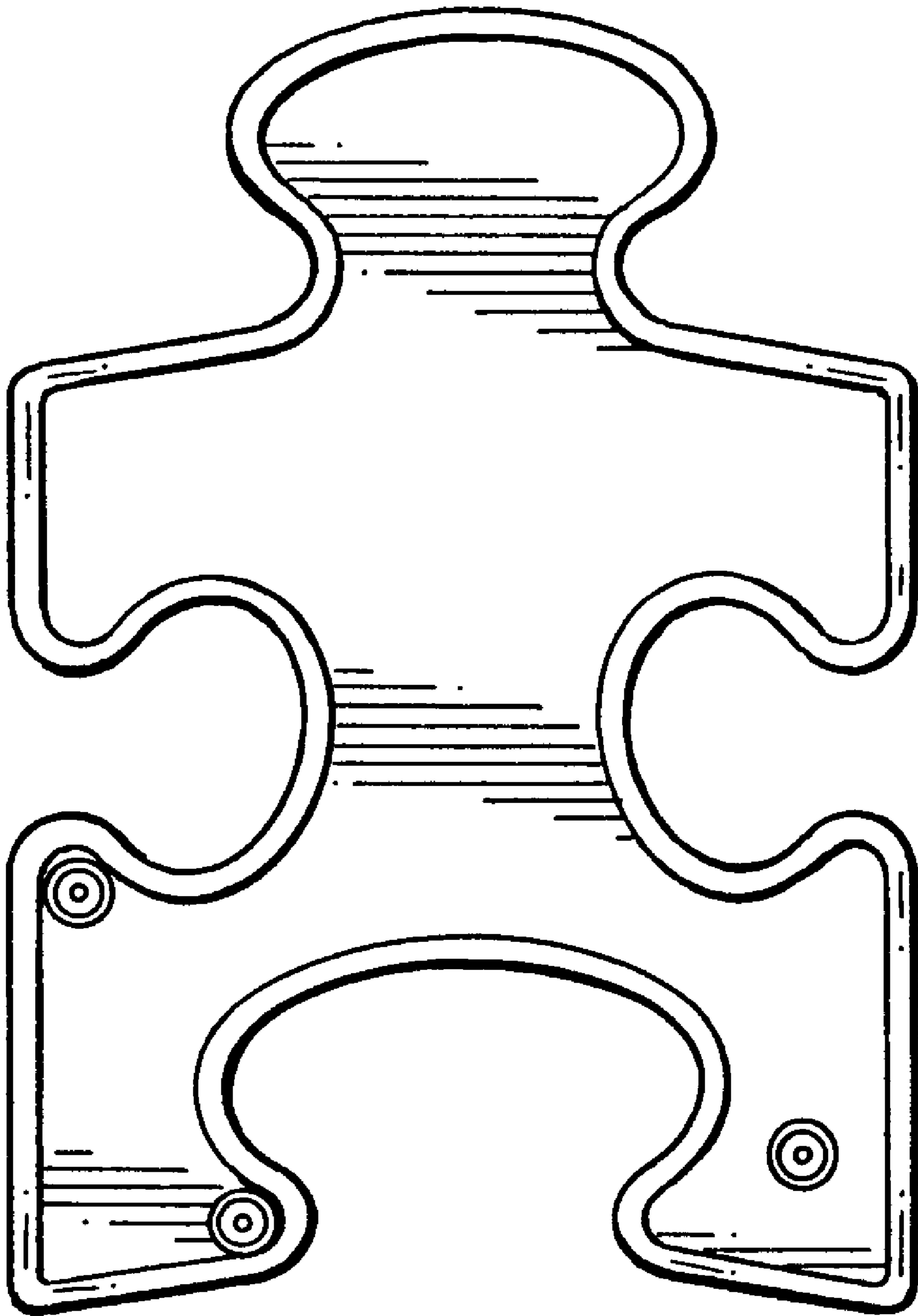


FIG. 4

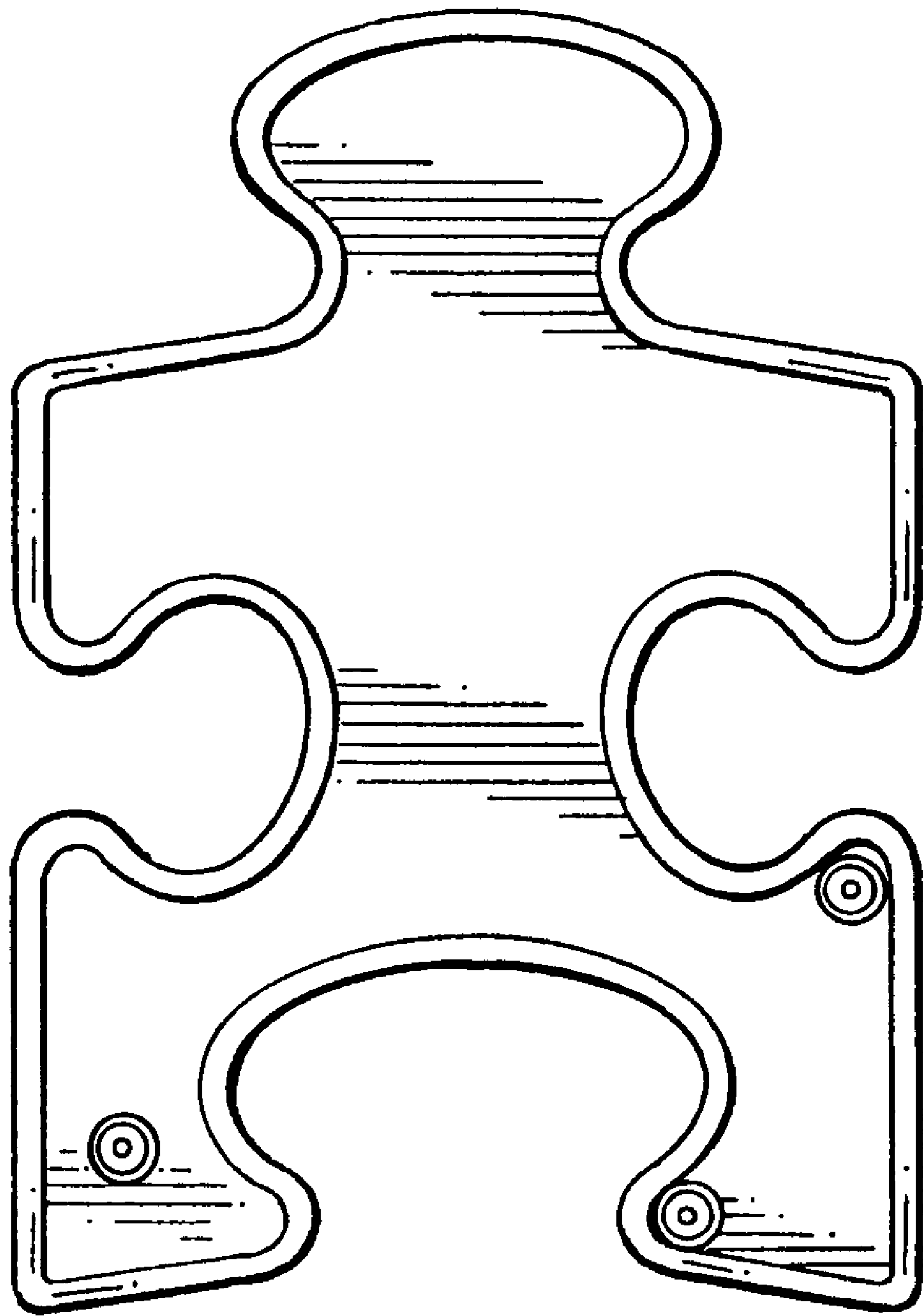


FIG. 5

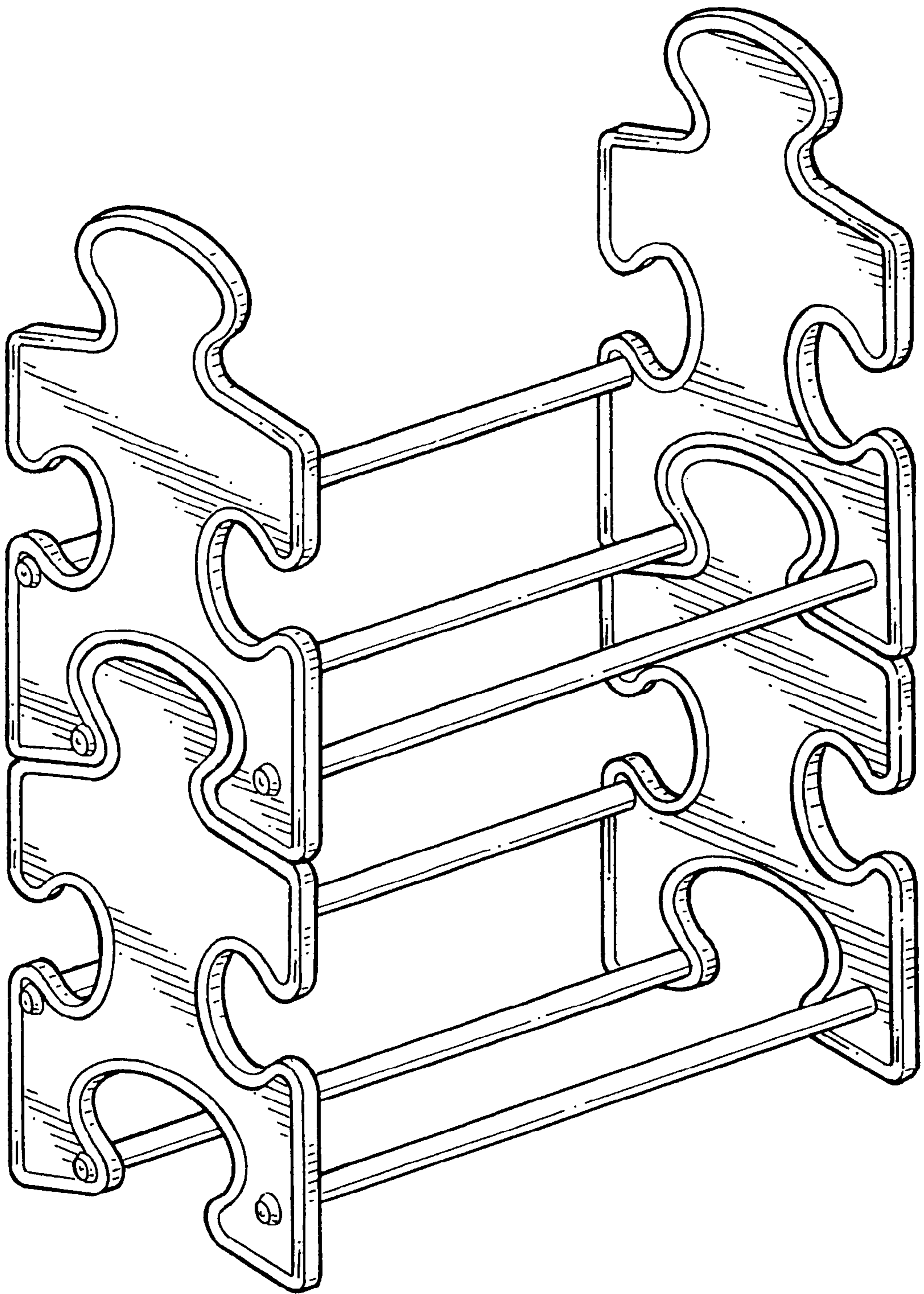


FIG. 6

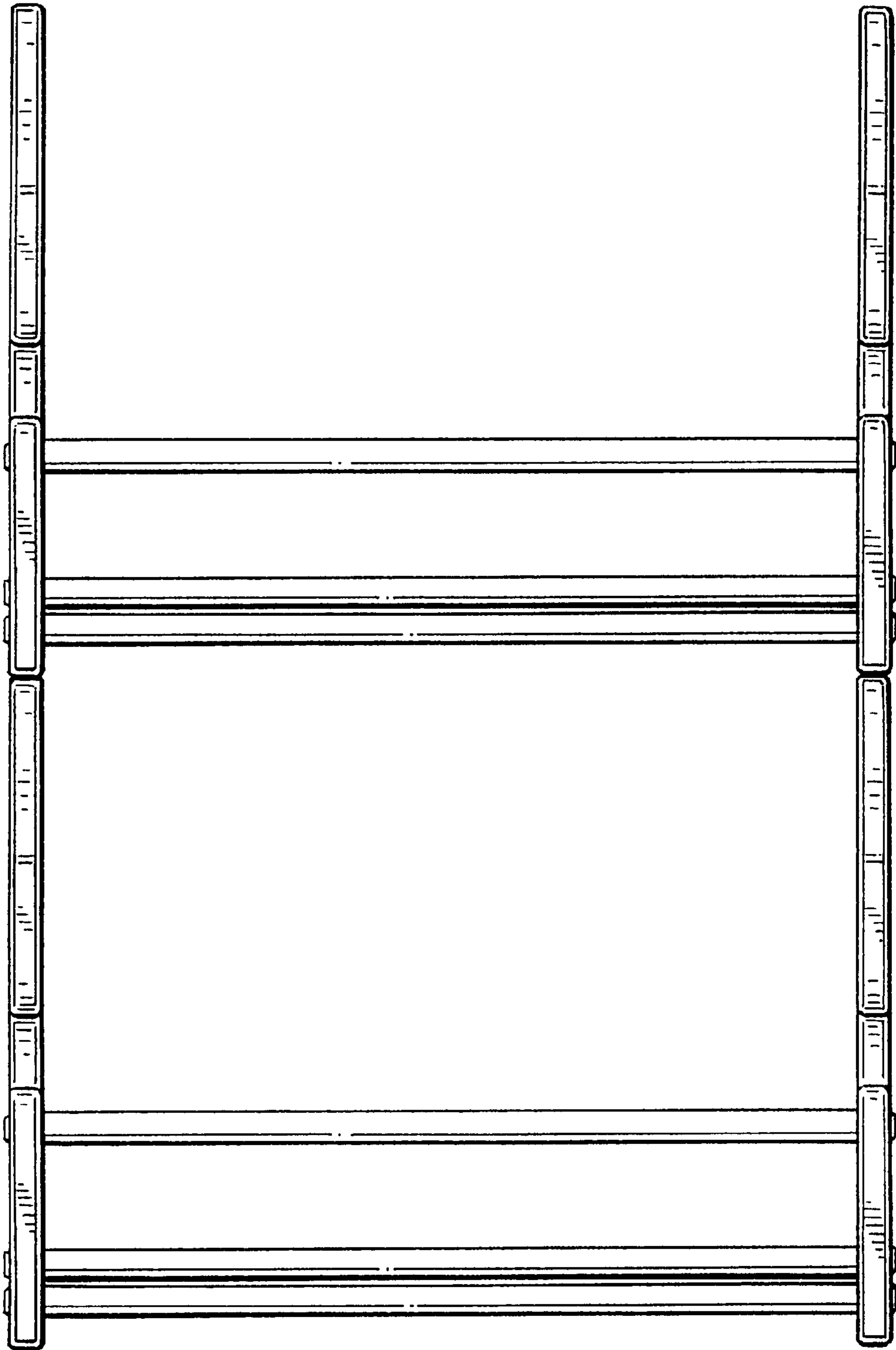


FIG. 7

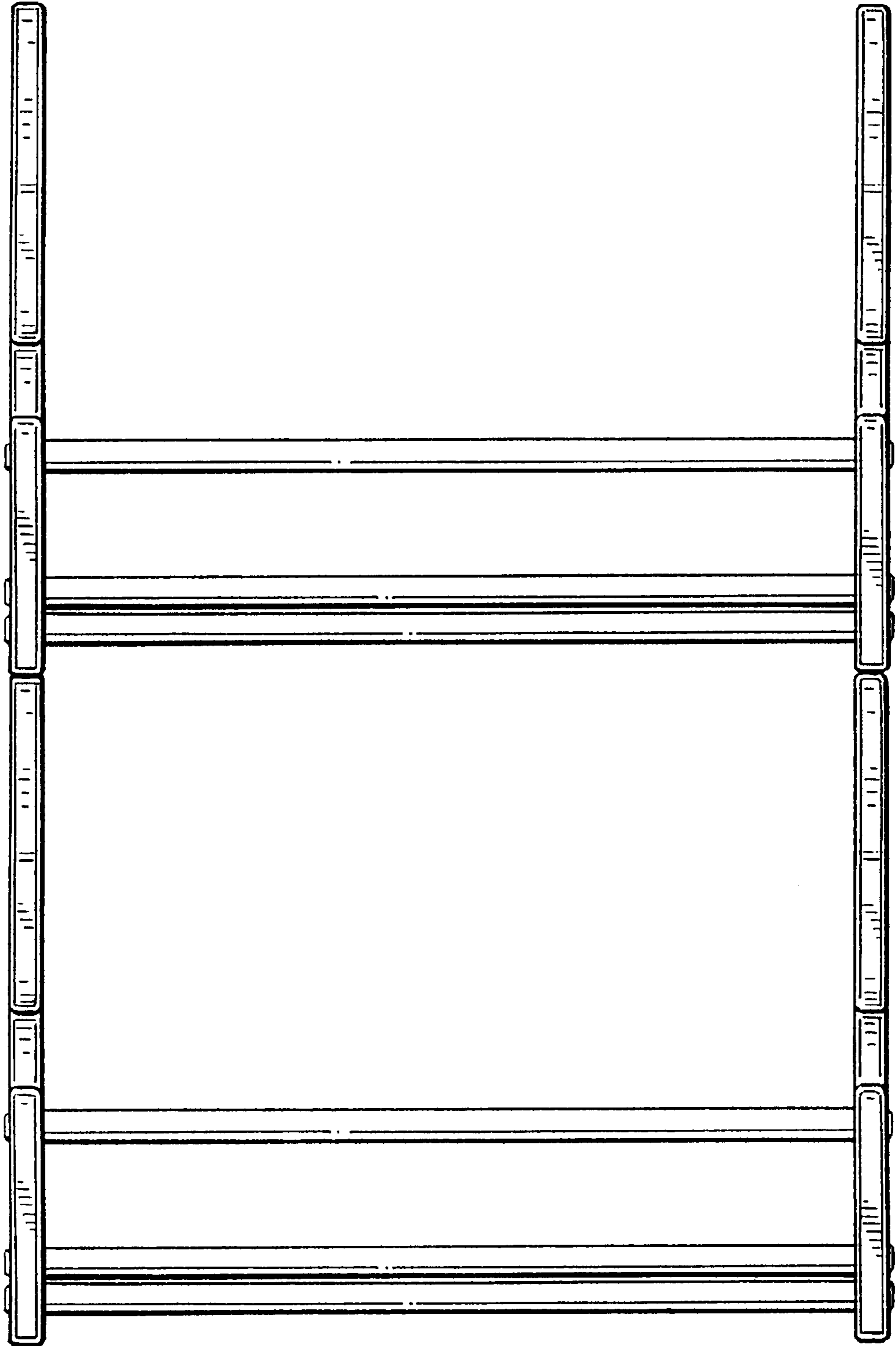


FIG. 8

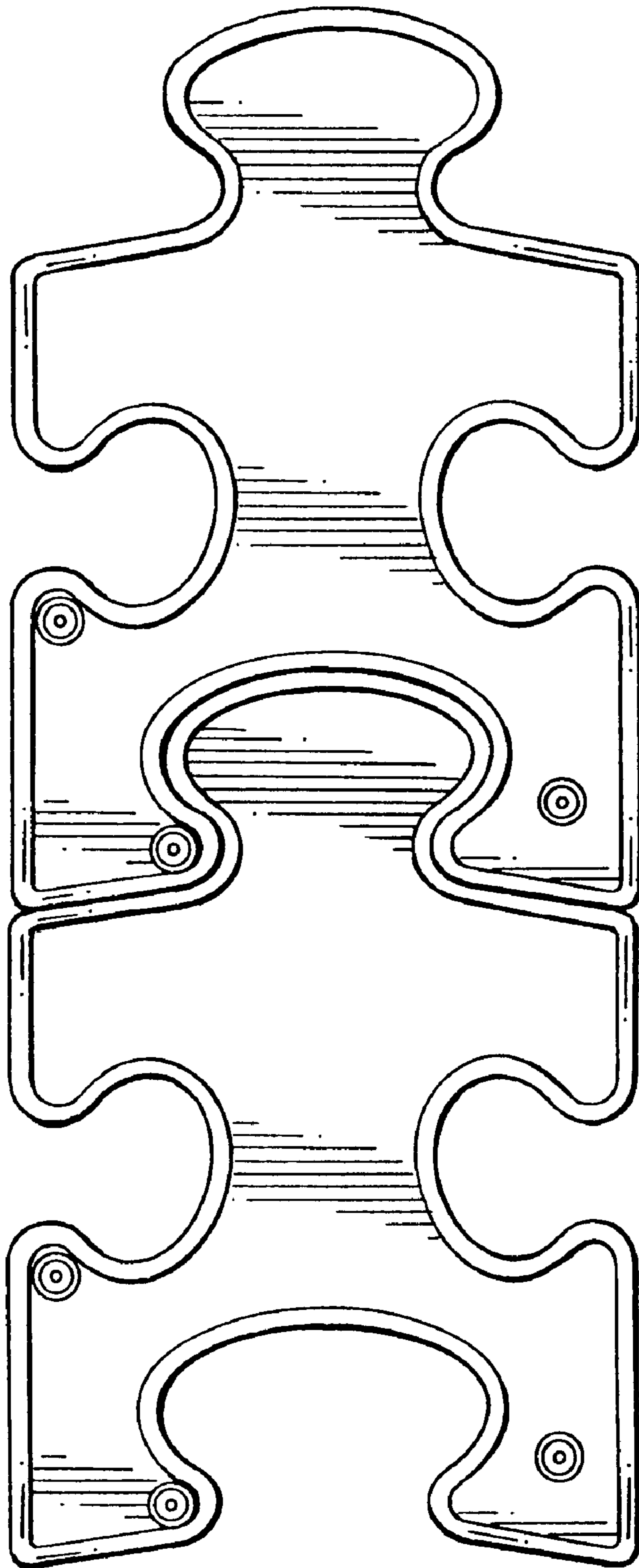


FIG. 9

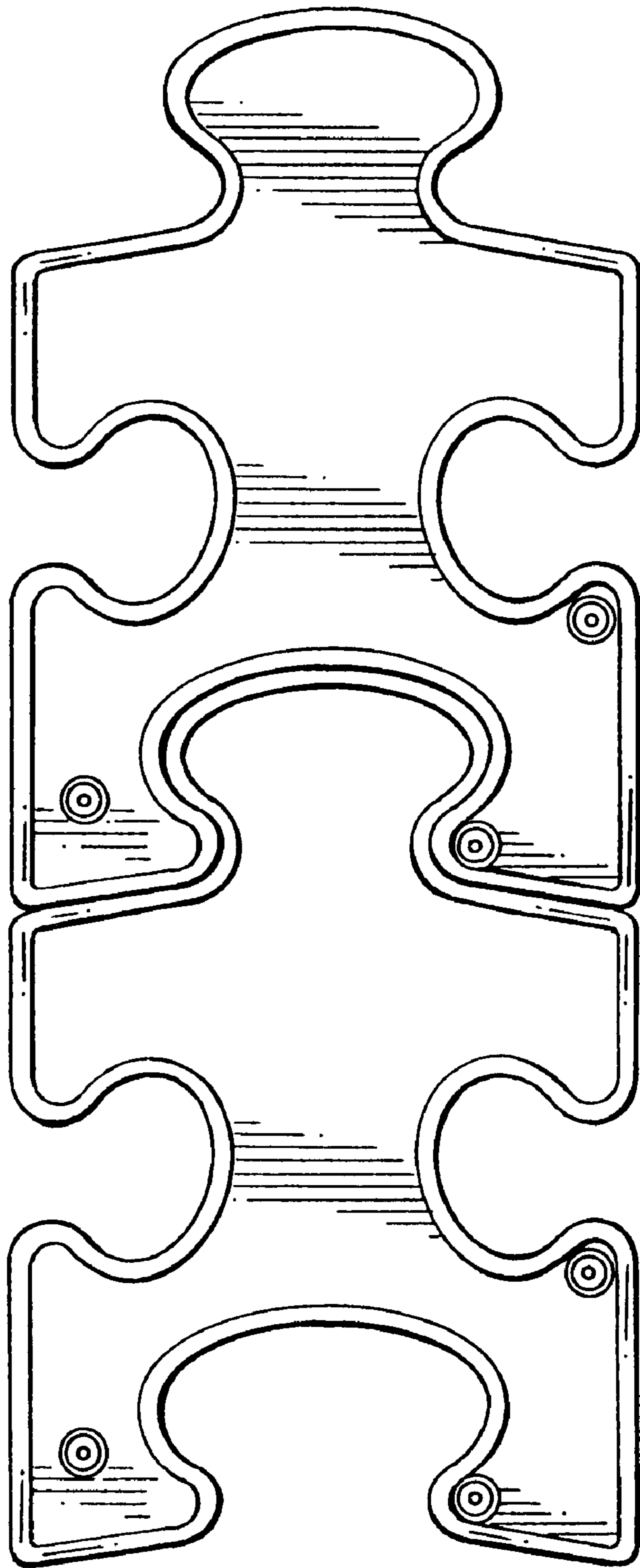


FIG. 10