



US00D473065S

(12) **United States Design Patent**
Wilson et al.

(10) **Patent No.:** **US D473,065 S**

(45) **Date of Patent:** **** Apr. 15, 2003**

(54) **MEDICAL BED TRAY**

(76) Inventors: **Steve D Wilson**, P.O. Box 2044, Elk City, OK (US) 73648; **Brenda D Wilson**, P.O. Box 2044, Elk City, OK (US) 73648

(**) **Term:** **14 Years**

(21) **Appl. No.:** **29/147,892**

(22) **Filed:** **Sep. 7, 2001**

(51) **LOC (7) Cl.** **06-06**

(52) **U.S. Cl.** **D6/406.1**

(58) **Field of Search** D6/406.1, 406.2, D6/406.3, 406.4, 406.5, 406.6, 310, 339, 419, 420, 429, 449, 511; D7/545, 550.1, 554.3, 554.4, 698; D12/415, 416, 426.1; D19/36, 52, 65, 75, 78, 86, 88, 90, 91, 92, 99; 108/36, 43, 44, 49, 129, 132; 224/42.11, 400; 248/166, 444, 451, 460, 463; 281/145; 297/148, 153; 312/231

(56) **References Cited**

U.S. PATENT DOCUMENTS

D33,418 S	*	10/1900	Thompson	D7/698
1,426,787 A		8/1922	Spencer		
1,630,889 A		5/1927	Clarke		
2,323,423 A	*	7/1943	Schmidt et al.	108/129
D137,877 S	*	5/1944	Smith	D6/406.3
2,640,597 A		6/1953	Thomson		
2,647,716 A	*	8/1953	Hudziak et al.	108/43
2,687,336 A		8/1954	Smith et al.		
2,720,436 A	*	10/1955	Covey	108/44

2,932,544 A	*	4/1960	Lambert	108/44
3,095,835 A	*	7/1963	Smith	D6/511
D204,998 S		6/1966	Klein		
3,335,679 A	*	8/1967	Bown	108/44
D274,878 S	*	7/1984	Kates	D6/511
D281,555 S	*	12/1985	Levy	D6/406.6
D288,375 S	*	2/1987	Okami	D6/406.4
D292,153 S	*	10/1987	Delaney, Sr.	D6/406.6
D316,727 S	*	5/1991	Greenspahn	D19/36
D322,813 S	*	12/1991	Wilson	D19/36
5,148,755 A		9/1992	Morales		
5,176,274 A	*	1/1993	Jenkins	D6/406.6
5,511,493 A	*	4/1996	Kanehl, Jr.	108/44
D377,294 S	*	1/1997	Brady	D7/554.3
5,722,586 A	*	3/1998	Hansen	108/44
D393,242 S	*	4/1998	Wood	D12/416
D401,214 S	*	11/1998	Benavidez et al.	D12/416
D415,995 S	*	11/1999	Kanehl, Jr.	D12/416
6,253,399 B1	*	7/2001	Wagner	108/49

* cited by examiner

Primary Examiner—Doris V. Coles
Assistant Examiner—T. Chase Nelson

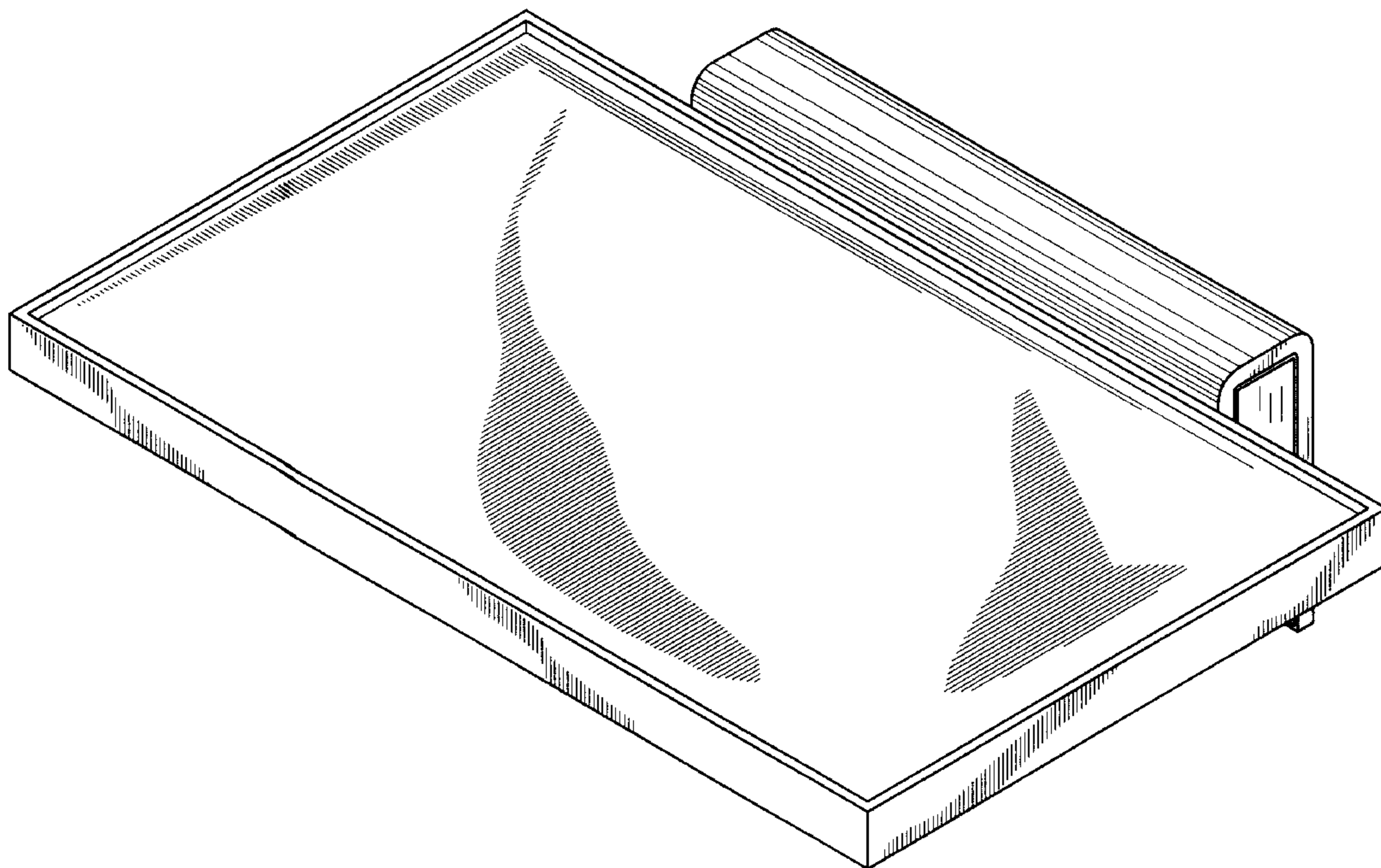
(57) **CLAIM**

The ornamental design for a medical bed tray, as shown and described.

DESCRIPTION

FIG. 1 is a bottom, rear, left side perspective view of the medical bed tray of the present invention; and, FIG. 2 is a top, front, right side perspective view of the medical bed tray of FIG. 1.

1 Claim, 2 Drawing Sheets



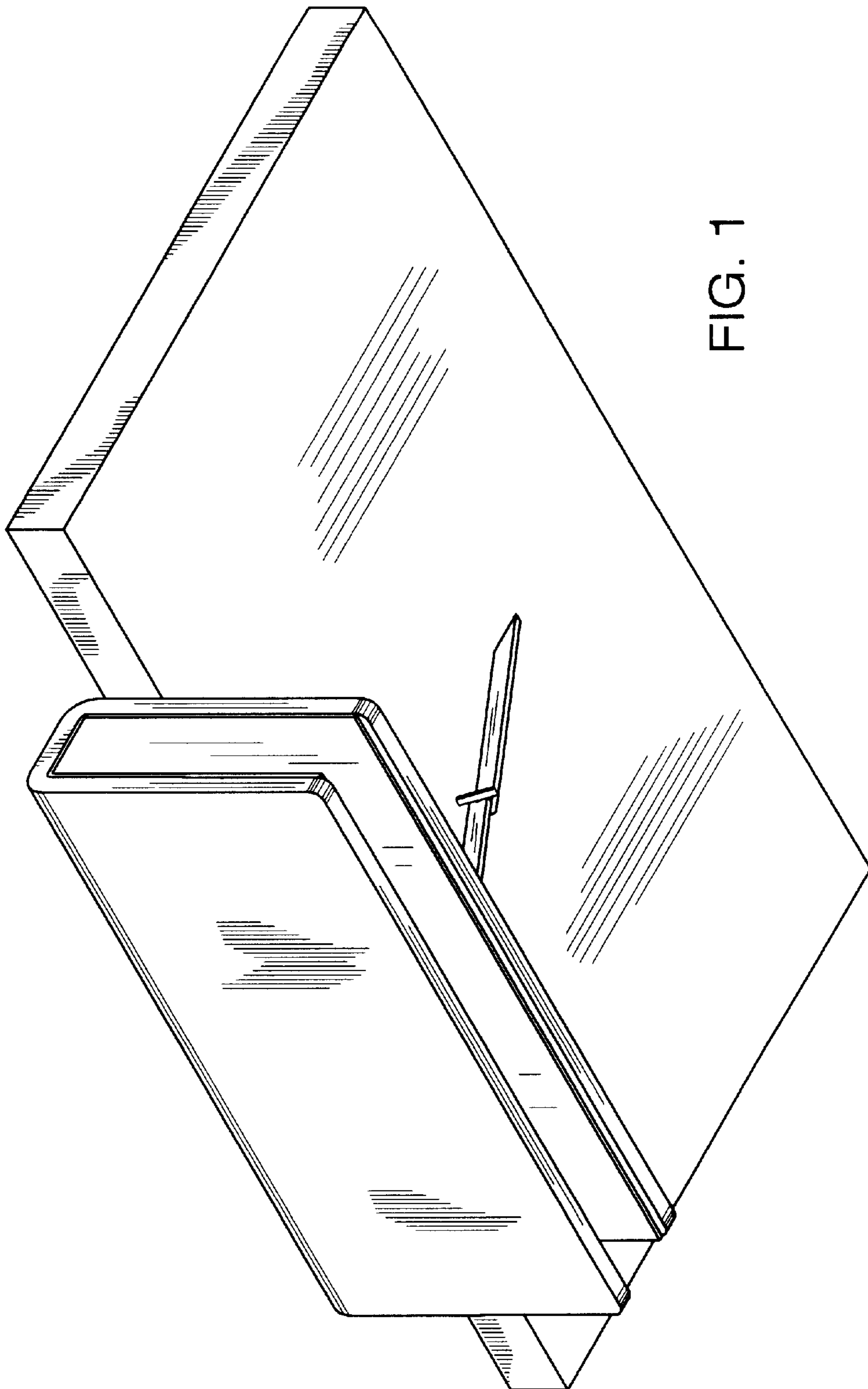


FIG. 1

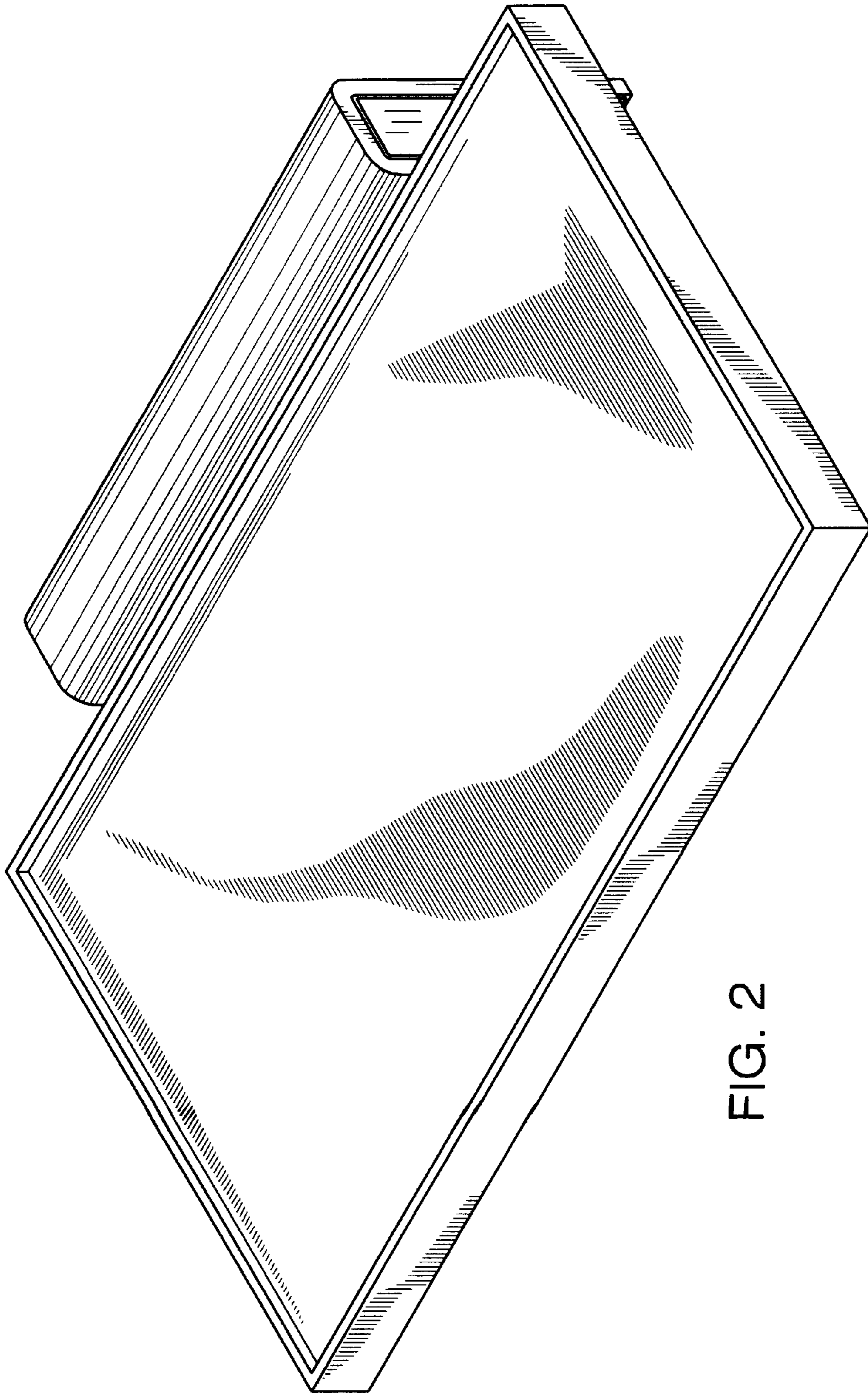


FIG. 2