



US00D473061S

(12) **United States Design Patent**
Goodman

(10) **Patent No.:** **US D473,061 S**

(45) **Date of Patent:** **** Apr. 15, 2003**

(54) **CHAIR**

(75) **Inventor:** **Lloyd Goodman**, Hialeah, FL (US)

(73) **Assignee:** **Pavilion Furniture, Inc.**, Miami, FL (US)

(**) **Term:** **14 Years**

(21) **Appl. No.:** **29/151,321**

(22) **Filed:** **Dec. 4, 2001**

(51) **LOC (7) Cl.** **06-01**

(52) **U.S. Cl.** **D6/379**

(58) **Field of Search** D6/334, 370, 371,
D6/373, 374, 375, 376, 379, 380, 500,
501, 502; 297/445.1, 448.1, DIG. 2

(56) **References Cited**

U.S. PATENT DOCUMENTS

D114,065 S	*	4/1939	Hasenstein	D6/379
D182,748 S	*	5/1958	Vanderminden	D6/370
D279,243 S	*	6/1985	Vanderminden	D6/370
D280,474 S	*	9/1985	Vanderminden	D6/380
4,674,799 A	*	6/1987	Schwartz et al.	..	297/DIG. 2 X
4,762,368 A	*	8/1988	Schwartz et al.	..	297/DIG. 2 X
4,966,414 A	*	10/1990	Schwartz et al.	..	297/DIG. 2 X
D323,249 S	*	1/1992	Schwartz	D6/370
D337,446 S	*	7/1993	Gibbs	D6/370
D410,802 S	*	6/1999	Olson	D6/379
D413,028 S	*	8/1999	Kaiser	D6/373
D420,824 S	*	2/2000	Lin	D6/370
D452,082 S	*	12/2001	Pluer	D6/375

OTHER PUBLICATIONS

Telescope 171, p. 15, chair at top right, ©1970.*
Winston 1994–1995 Season, p. 21, chair at mid–page left (as marked), ©1994.*

* cited by examiner

Primary Examiner—Gary D. Watson

(74) *Attorney, Agent, or Firm*—Lott & Friedland, P.A.

(57) **CLAIM**

The ornamental design for a chair, substantially as shown and described.

DESCRIPTION

FIG. 1 is a perspective view of a first embodiment of my new design;

FIG. 2 is a side elevational view of the embodiment of FIG. 1, the opposite side view being a mirror image thereof;

FIG. 3 is a front elevational view of the embodiment of FIG. 1;

FIG. 4 is a rear elevational view of the embodiment of FIG. 1;

FIG. 5 is a top view of the embodiment of FIG. 1;

FIG. 6 is a perspective view of a second embodiment of my new design;

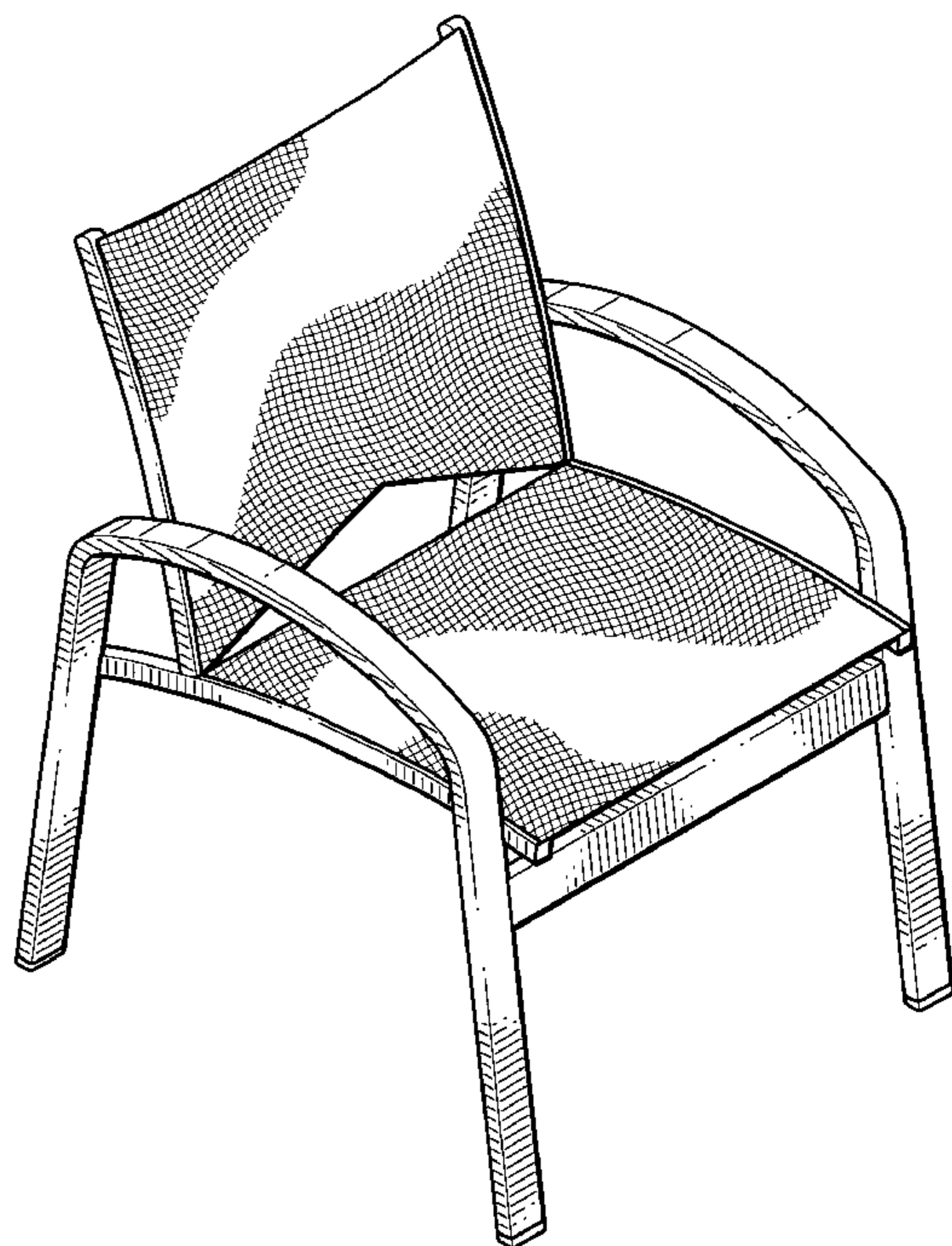
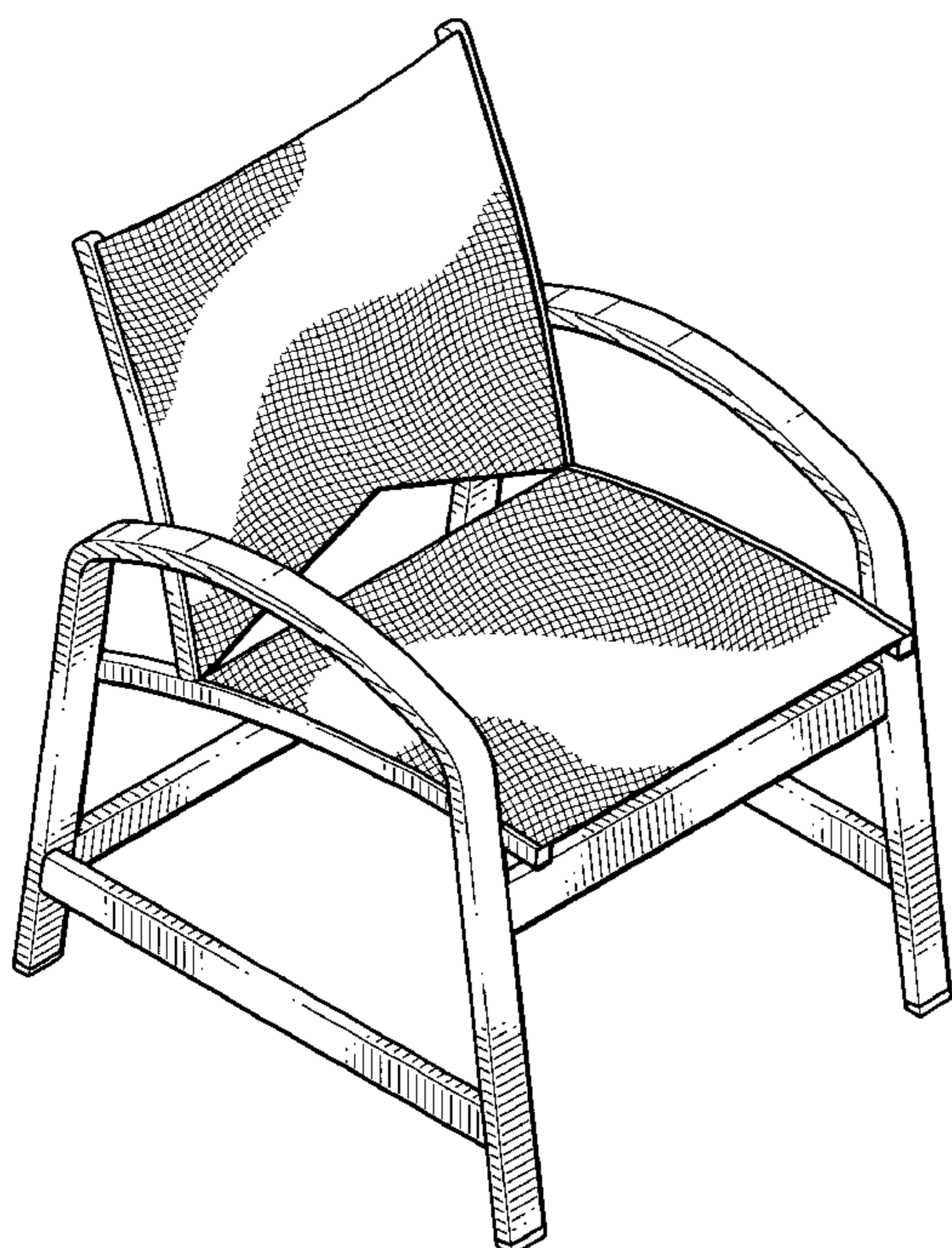
FIG. 7 is a side elevational view of the embodiment of FIG. 6, the opposite side view being a mirror image thereof;

FIG. 8 is a front elevational view of the embodiment of FIG. 6; and,

FIG. 9 is a rear elevational view of the embodiment of FIG. 6, the top view being identical to the top view for the first embodiment.

The fragmented pattern shown on the seat and backrest is understood to represent fabric and would be continuous throughout the circumscribed areas.

1 Claim, 6 Drawing Sheets



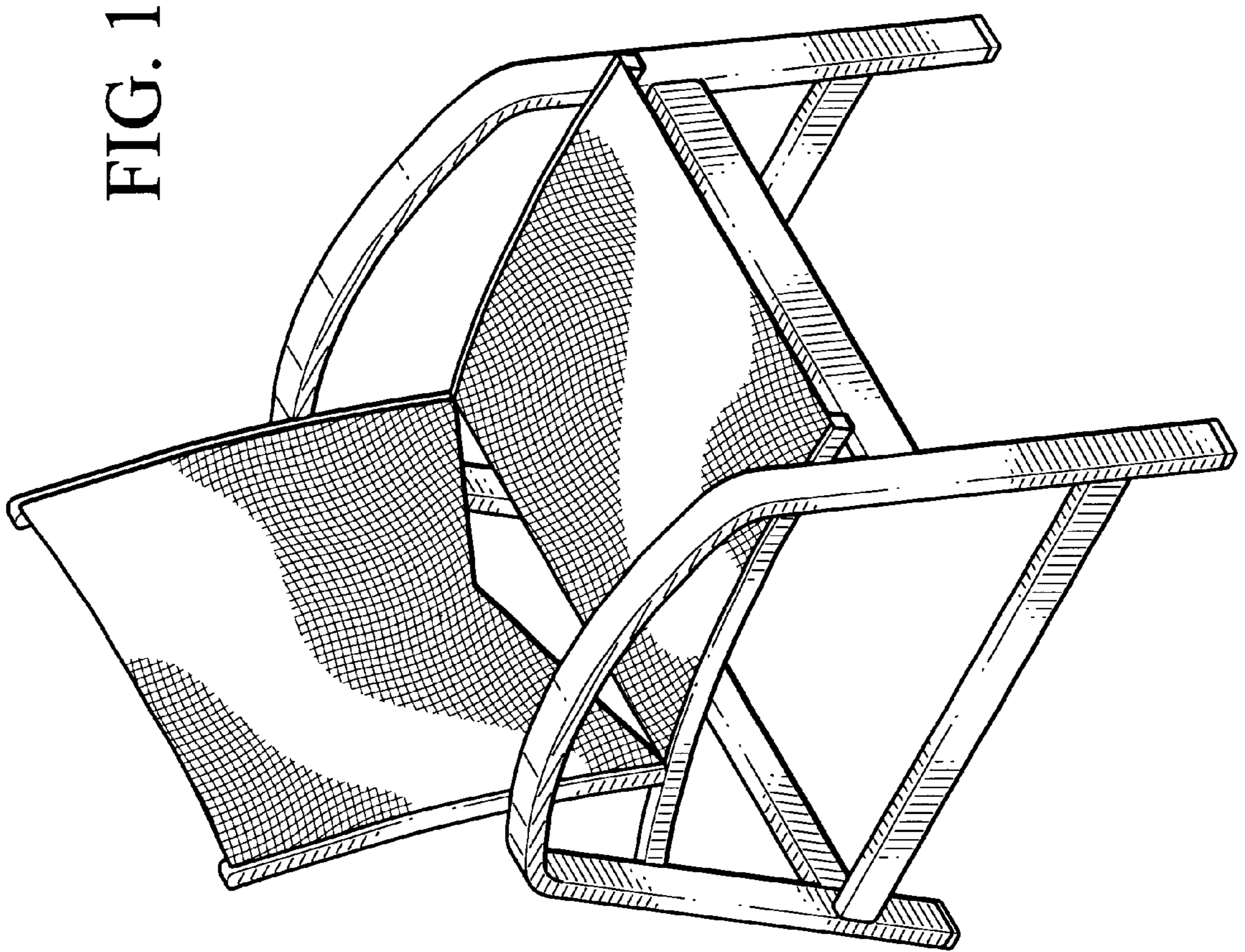


FIG. 1

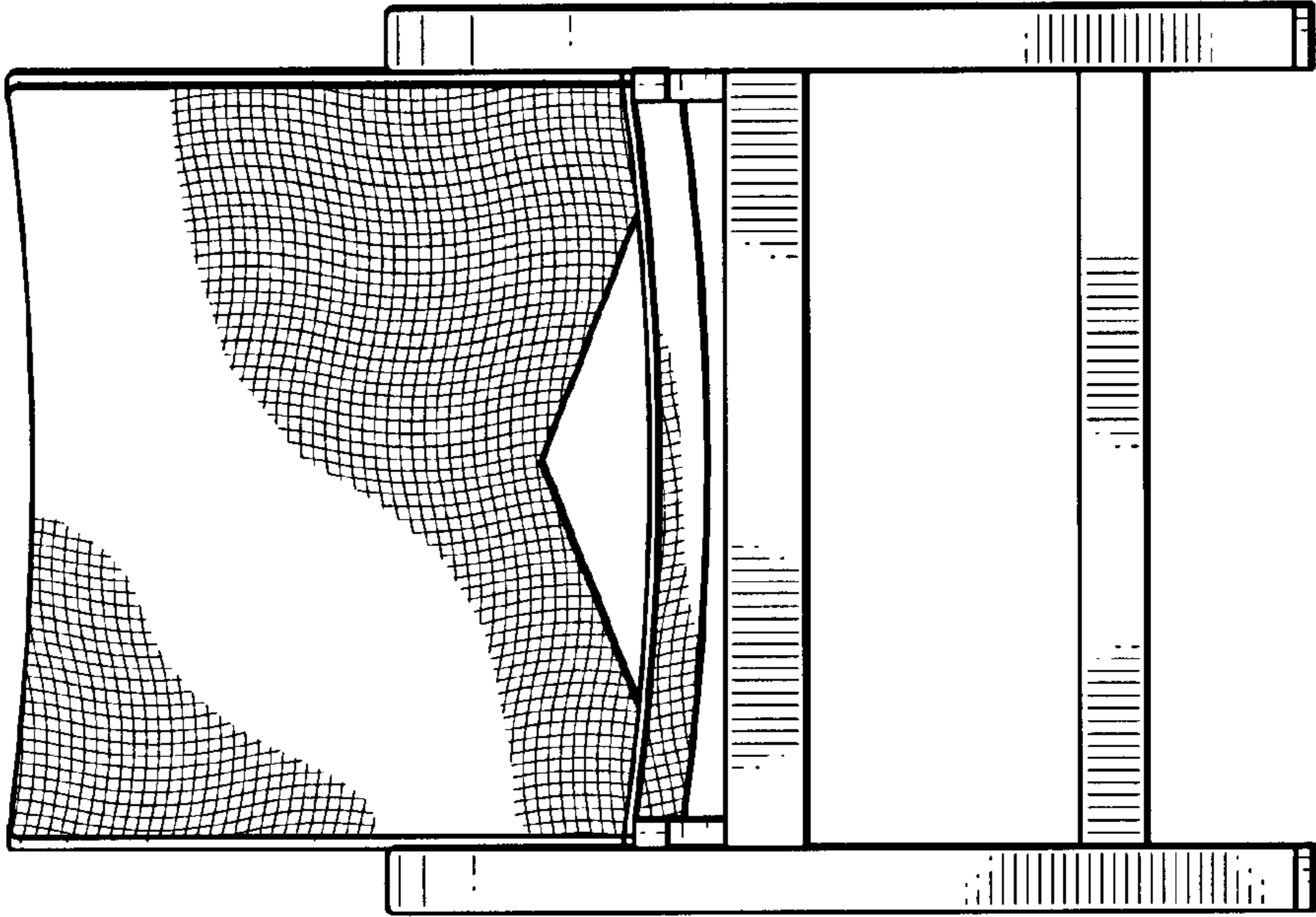


FIG. 3

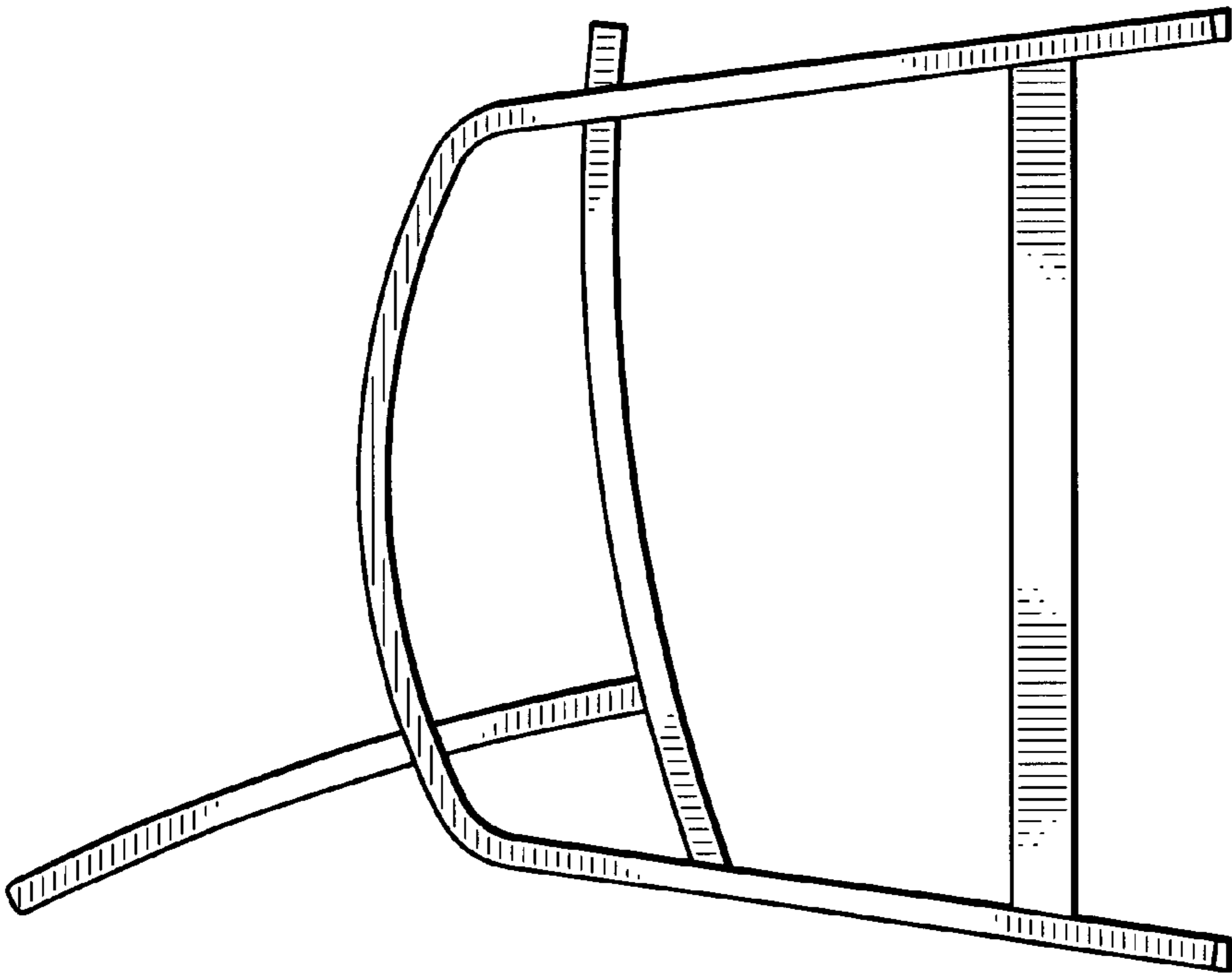


FIG. 2

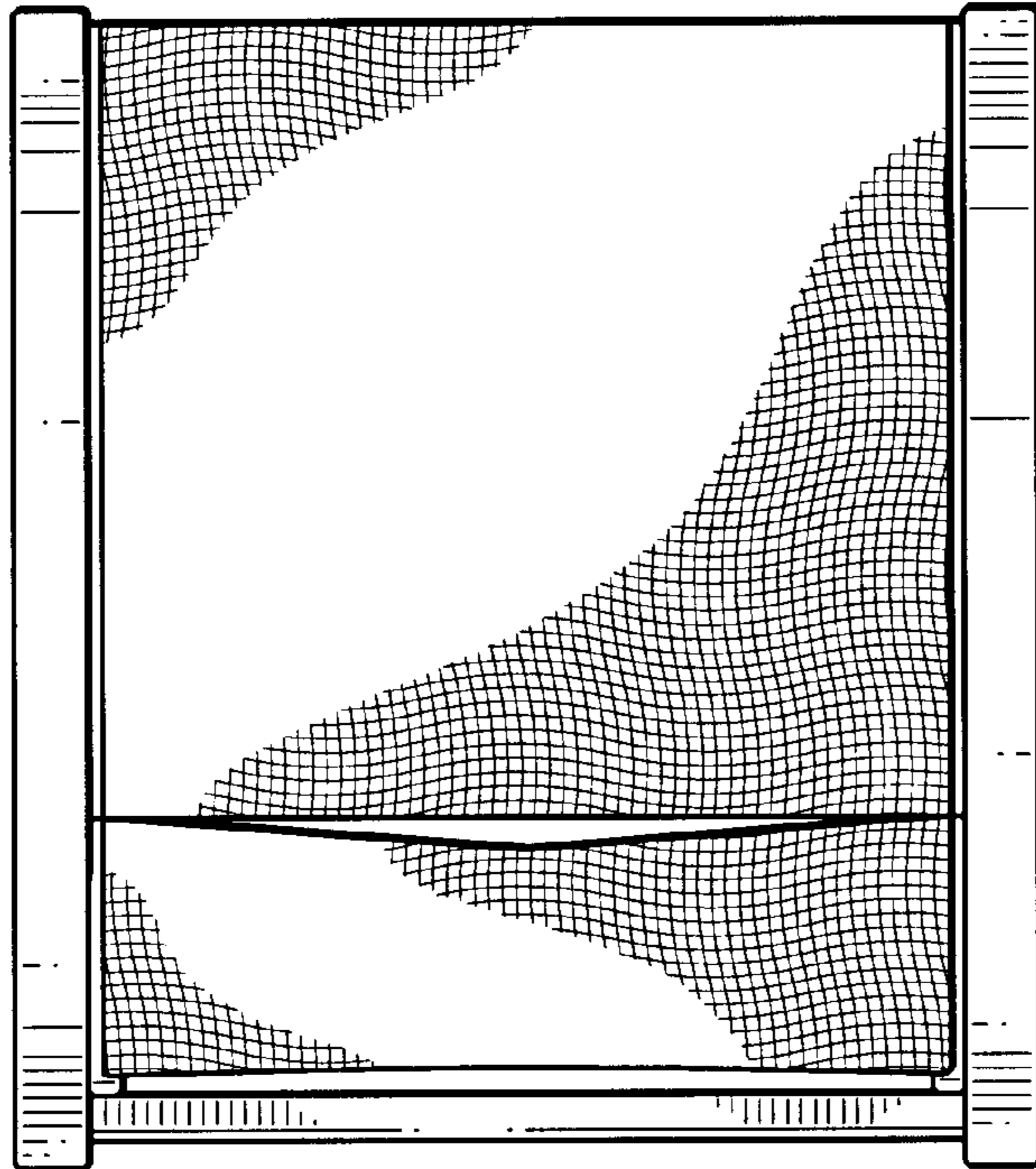


FIG. 5

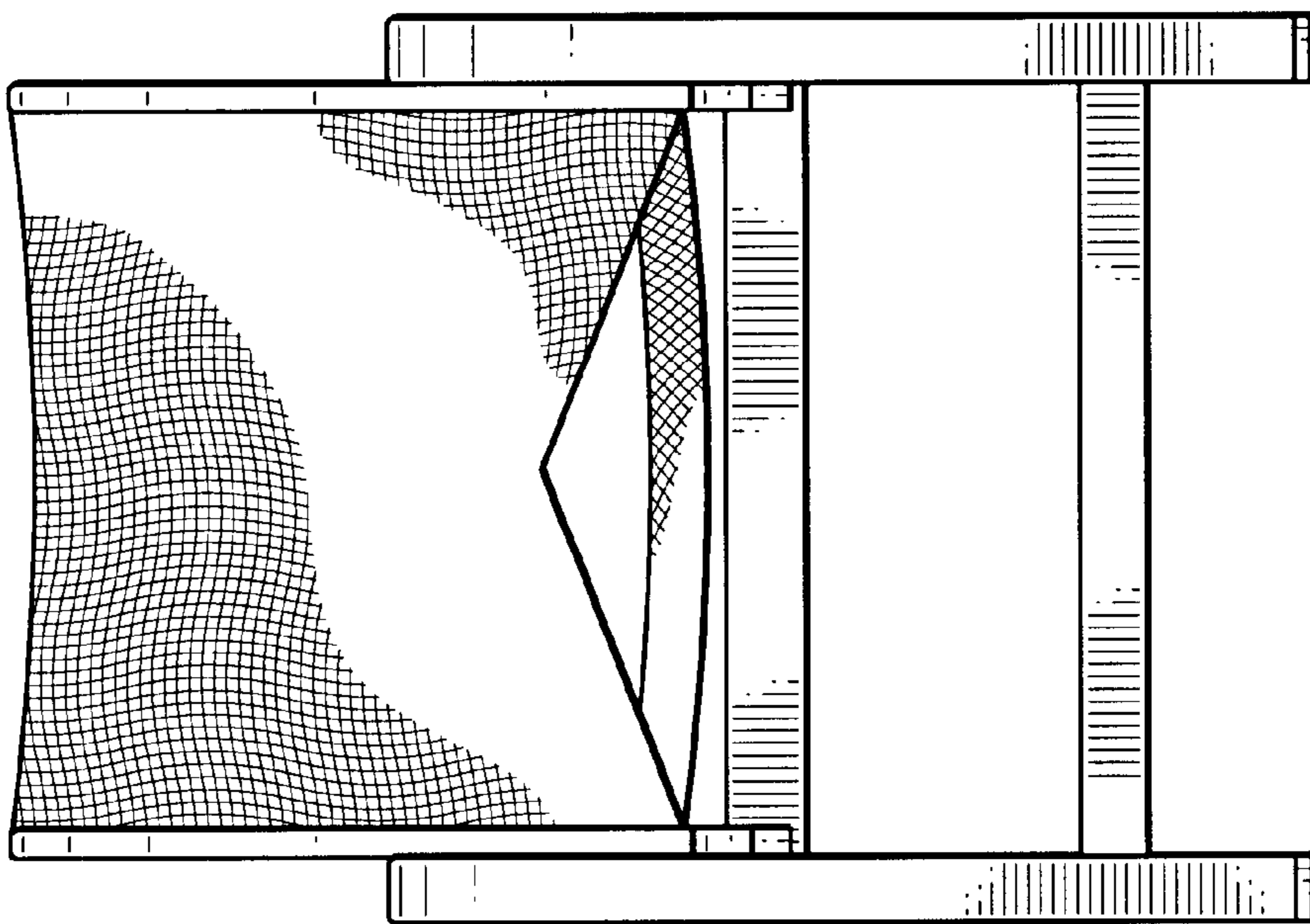
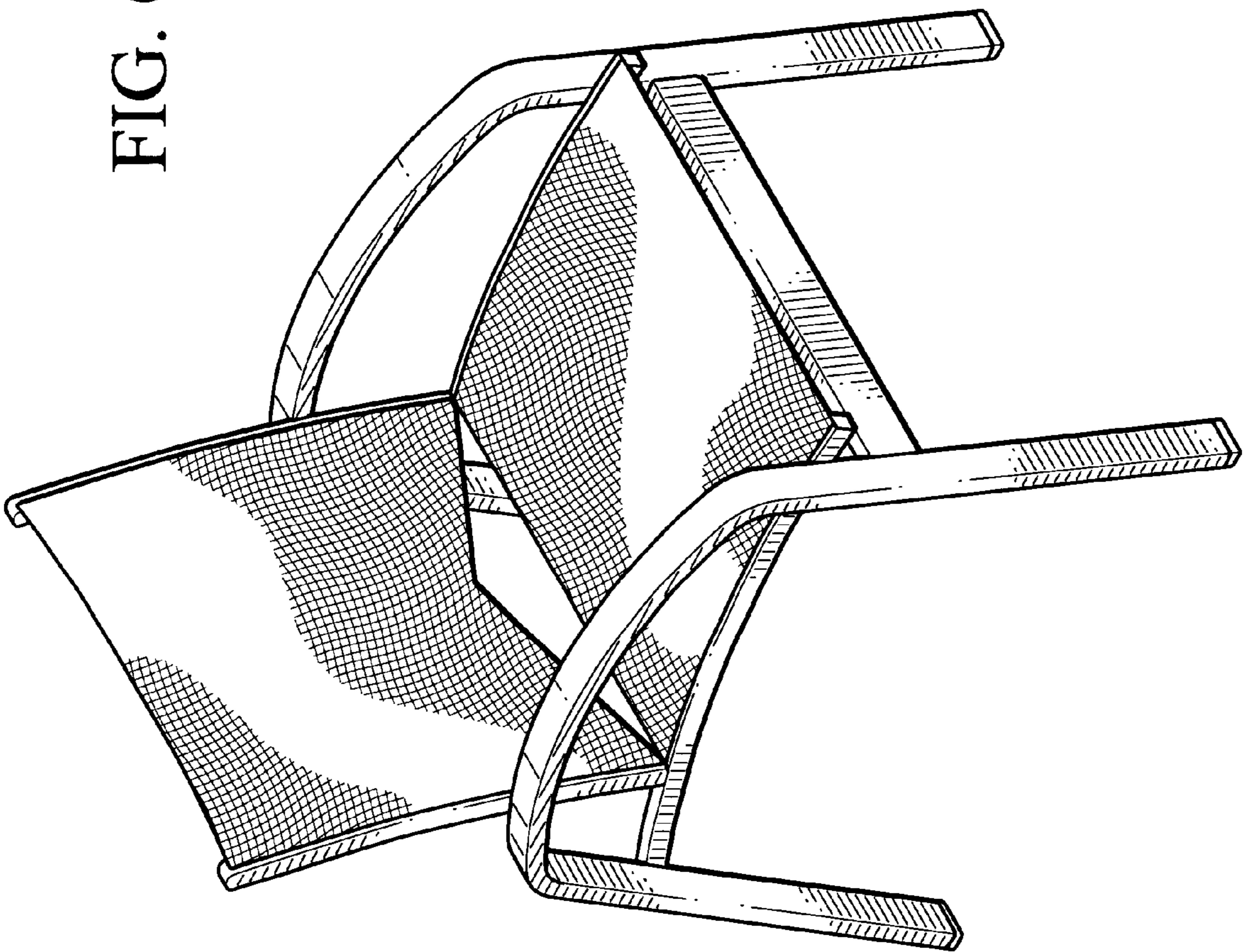


FIG. 4

FIG. 6



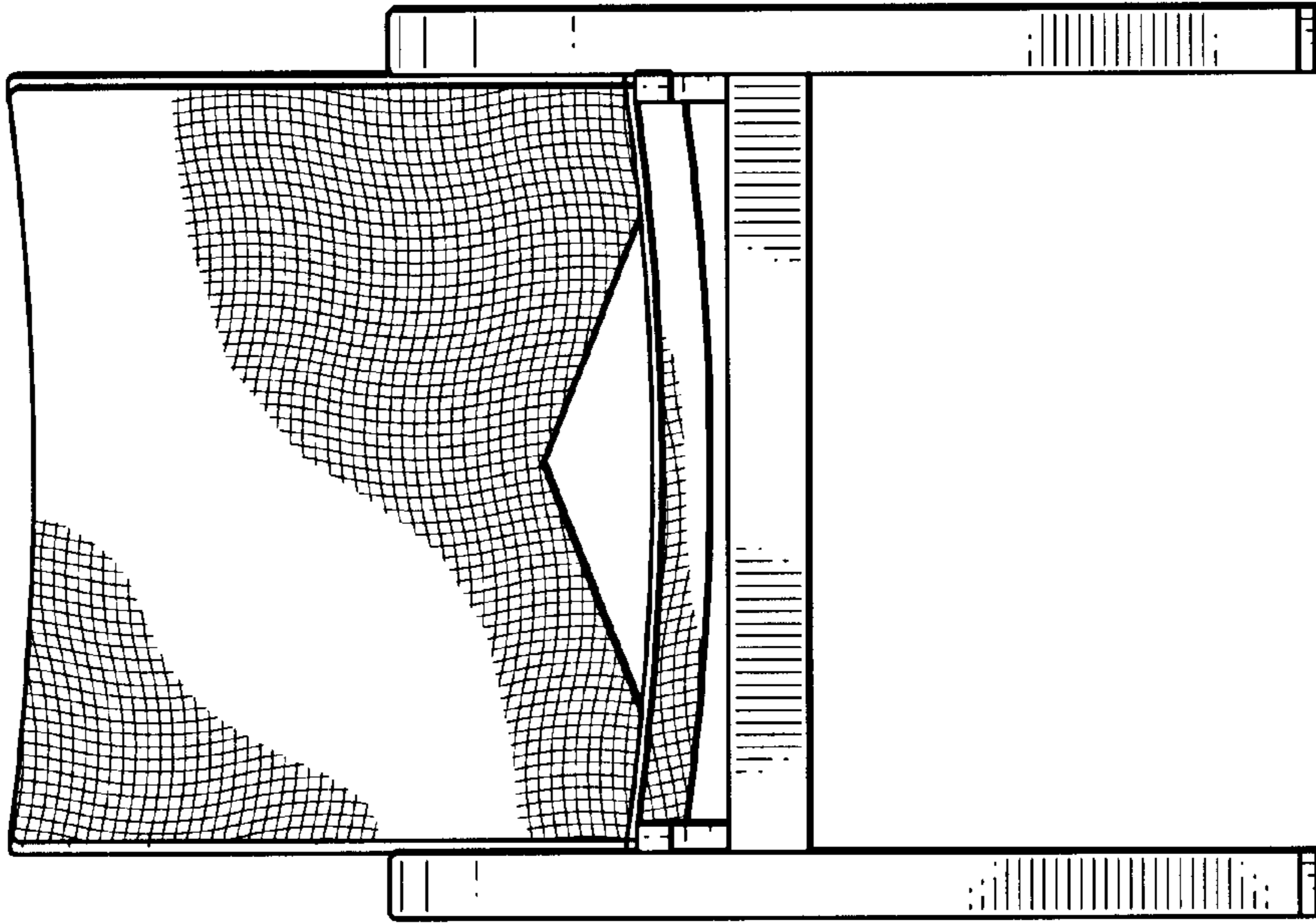


FIG. 8

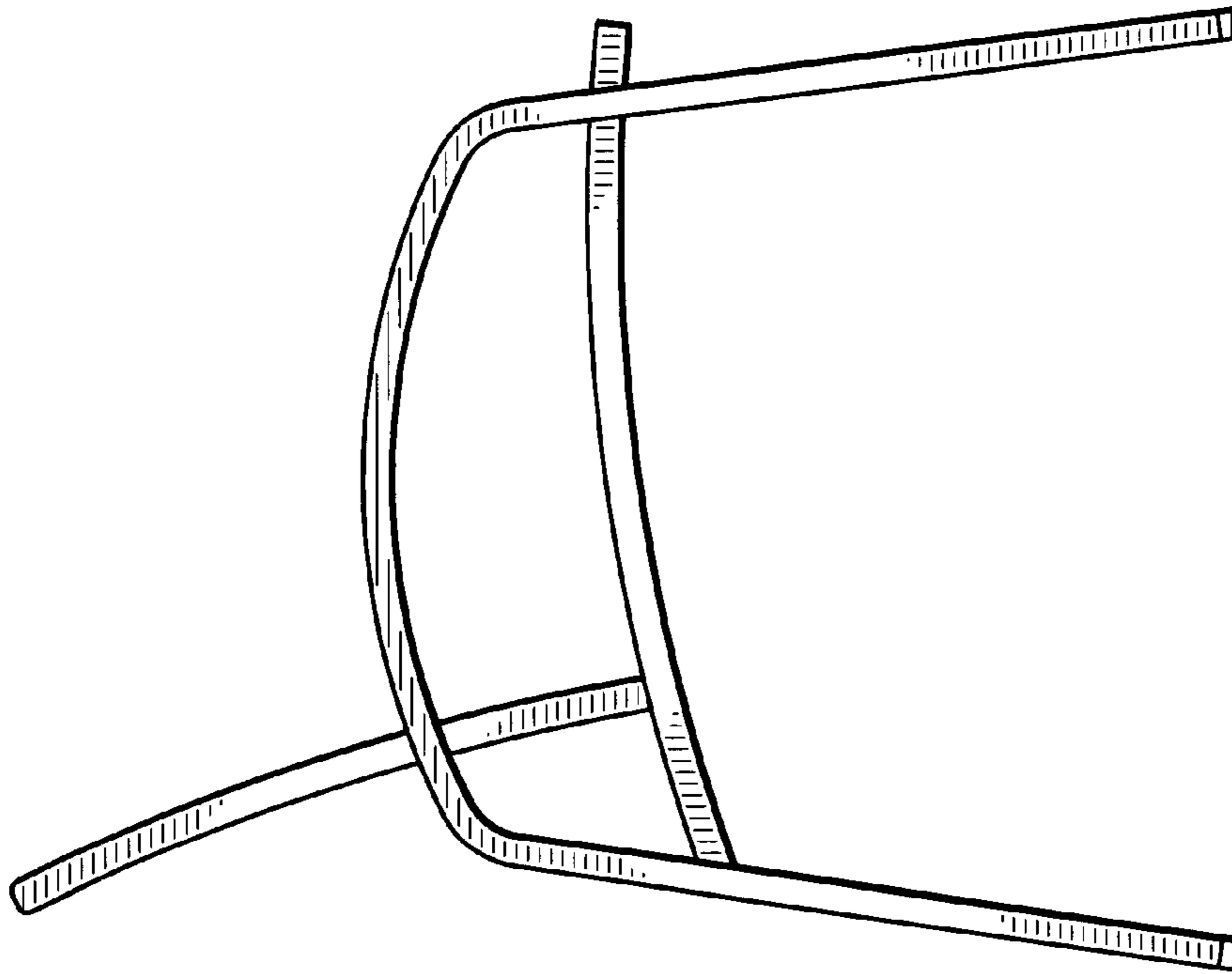


FIG. 7

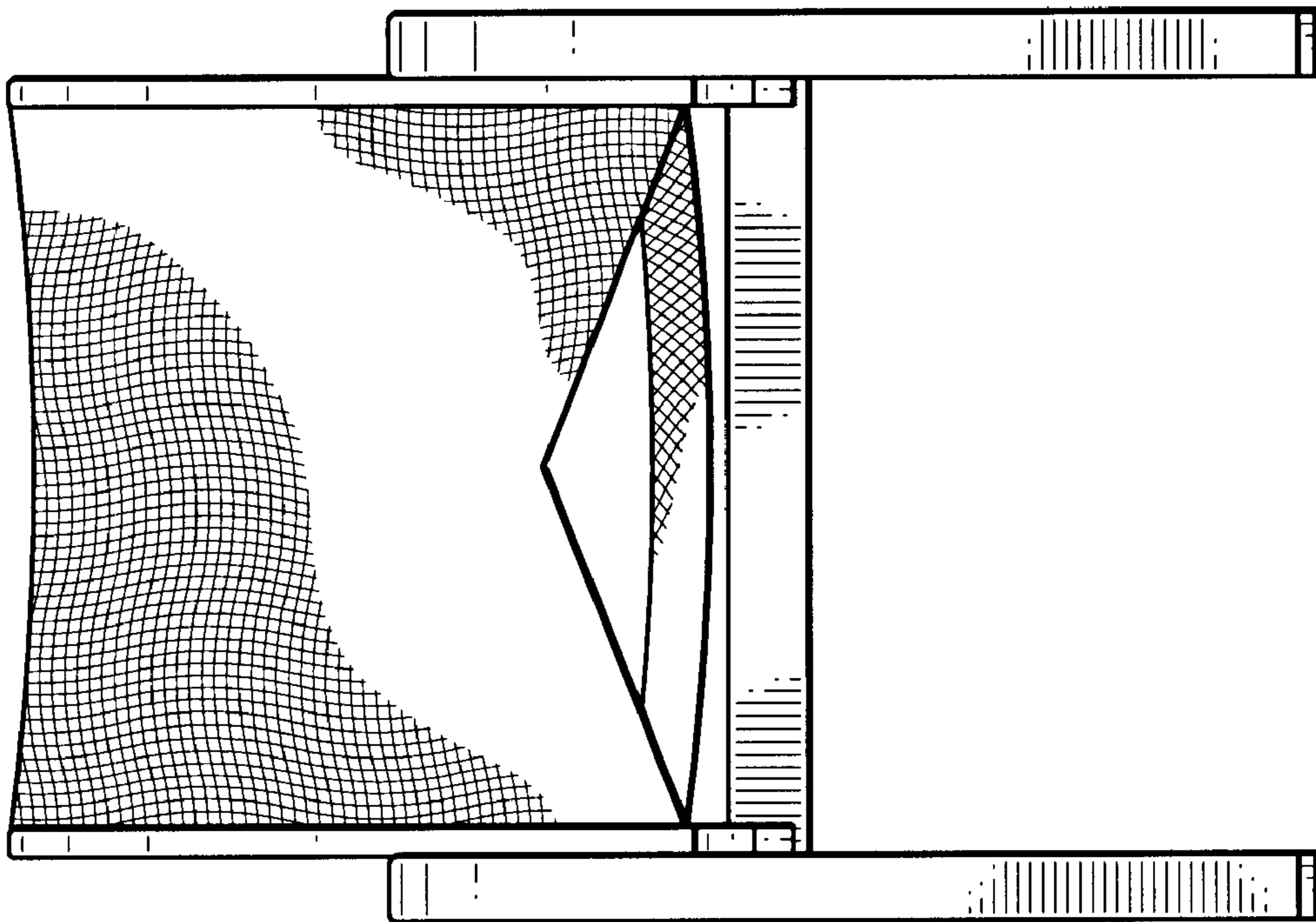


FIG. 9