



US00D473060S

(12) **United States Design Patent**
Hutton

(10) **Patent No.:** **US D473,060 S**

(45) **Date of Patent:** **** Apr. 15, 2003**

(54) **SEAT**

(75) **Inventor:** **John Hutton**, West Islip, NY (US)

(73) **Assignee:** **Sutherland**, Dallas, TX (US)

(**) **Term:** **14 Years**

(21) **Appl. No.:** **29/158,211**

(22) **Filed:** **Mar. 29, 2002**

(51) **LOC (7) Cl.** **06-01**

(52) **U.S. Cl.** **D6/369; D6/381**

(58) **Field of Search** **D6/334, 369, 370,**
D6/374, 379, 381, 500, 501, 502; 297/451.9,
452.64

(56) **References Cited**

U.S. PATENT DOCUMENTS

D165,914 S	*	2/1952	Grundy	D6/369
3,504,942 A	*	4/1970	Wong	297/451.9
D263,655 S	*	4/1982	Claman	D6/369
D329,545 S	*	9/1992	Fong	D6/369
D380,309 S	*	7/1997	Diaz-Azcuy	D6/369
D380,311 S	*	7/1997	Diaz-Azcuy	D6/369
D439,068 S	*	3/2001	Vanderbyl	D6/379
D460,873 S	*	7/2002	Frinier	D6/369

* cited by examiner

Primary Examiner—Gary D. Watson

(74) *Attorney, Agent, or Firm*—Gardere Wynne Sewell LLP

(57) **CLAIM**

The ornamental designs for a seat, as shown and described.

DESCRIPTION

FIG. 1 is a perspective view of a seat, in the form of a club chair in accordance with my invention;

FIG. 2 is a front elevation view of the club chair shown in FIG. 1;

FIG. 3 is a rear elevation view of the club chair shown in FIG. 1;

FIG. 4 is a right side elevation view of the club chair shown in FIG. 1;

FIG. 5 is a left side elevation view of the club chair shown in FIG. 1;

FIG. 6 is a top plan view of the club chair shown in FIG. 1;

FIG. 7 is a bottom plan view of the club chair shown in FIG. 1;

FIG. 8 is a perspective view of a seat, in the form of a sofa in accordance with my invention;

FIG. 9 is a front elevation view of the sofa shown in FIG. 8;

FIG. 10 is a rear elevation view of the sofa shown in FIG. 8;

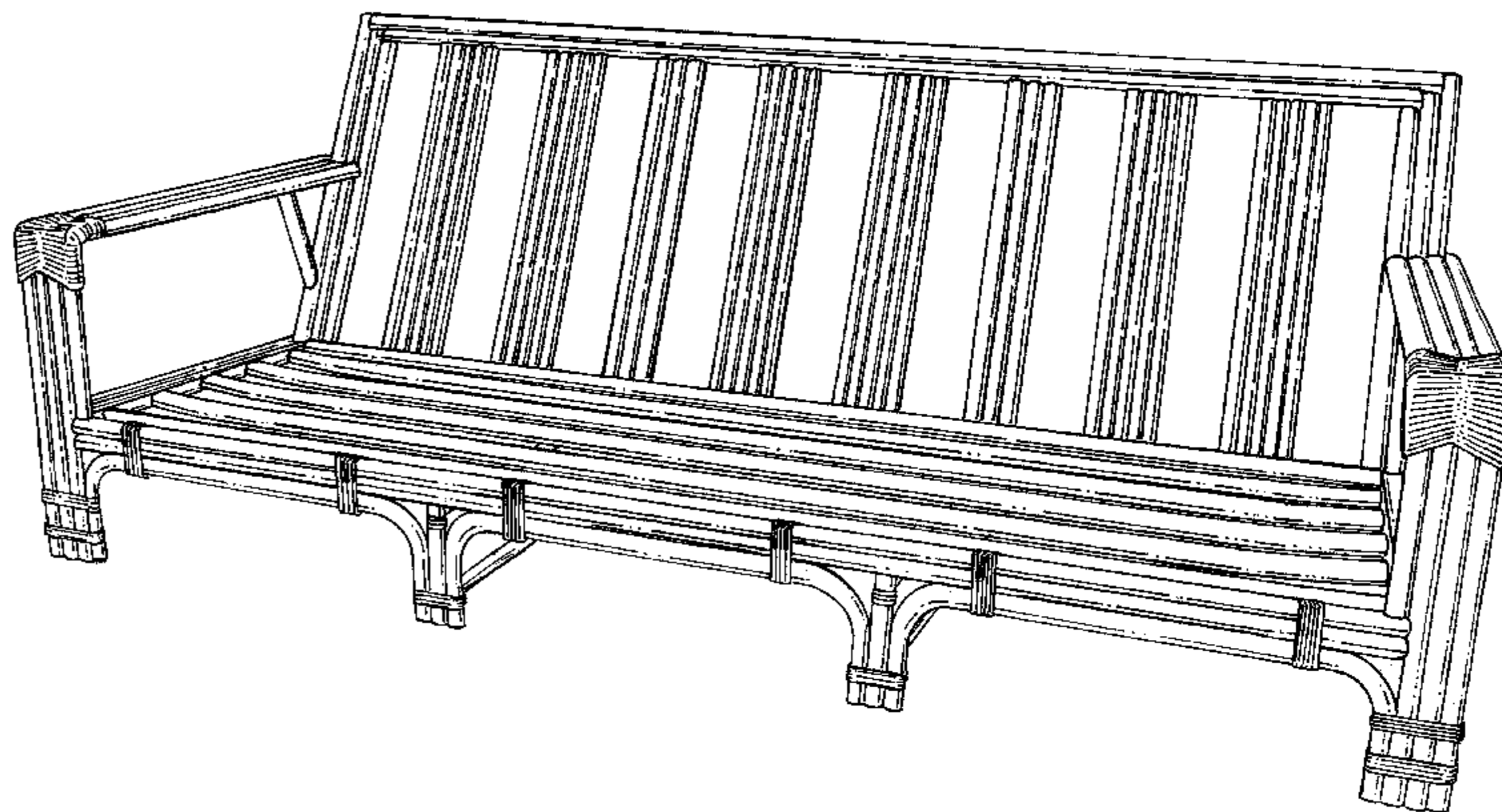
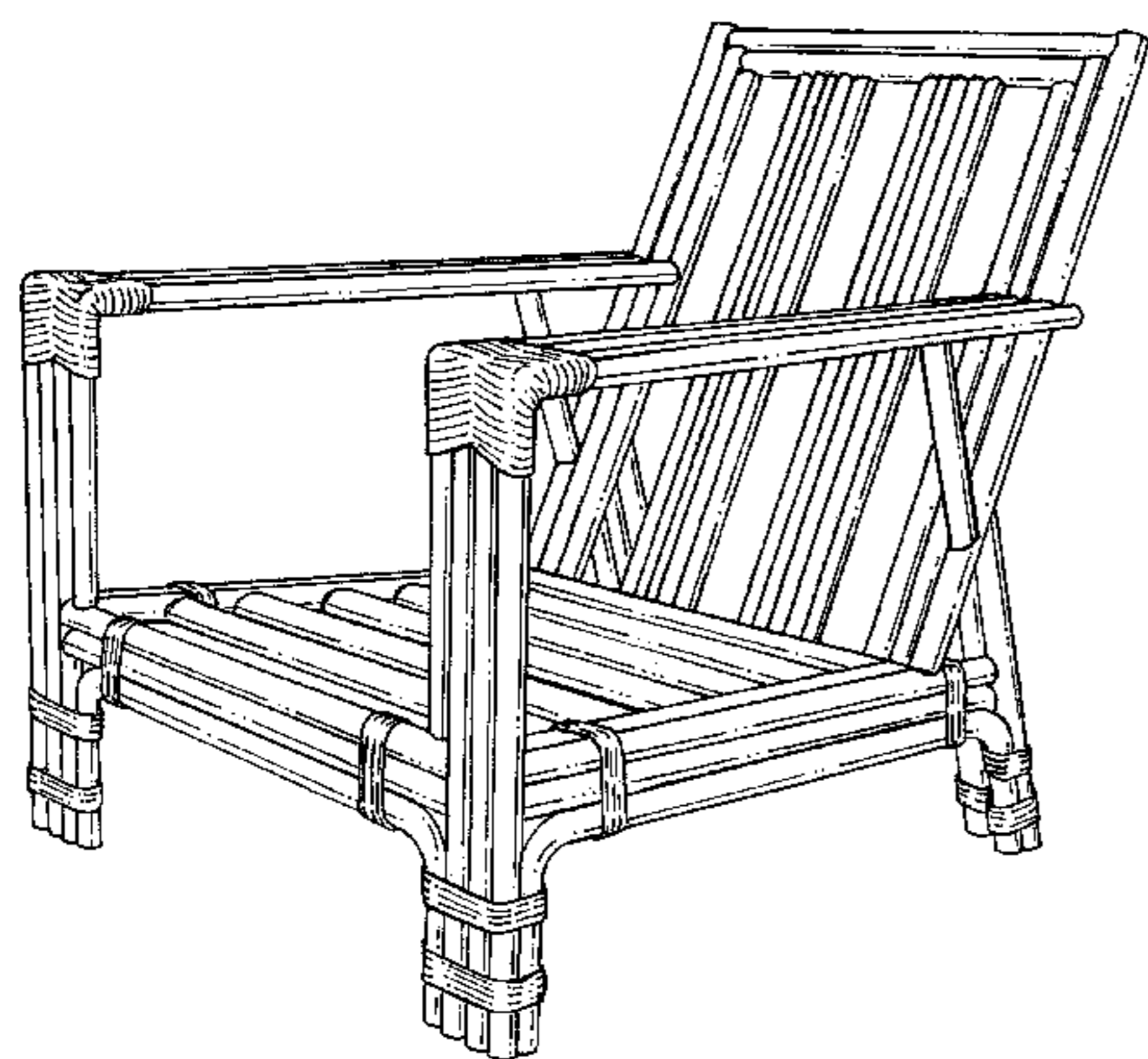
FIG. 11 is a right side elevation view of the sofa shown in FIG. 8;

FIG. 12 is a left side elevation view of the sofa shown in FIG. 8;

FIG. 13 is a top plan view of the sofa shown in FIG. 8; and,

FIG. 14 is a bottom plan view of the sofa shown in FIG. 8.

1 Claim, 10 Drawing Sheets



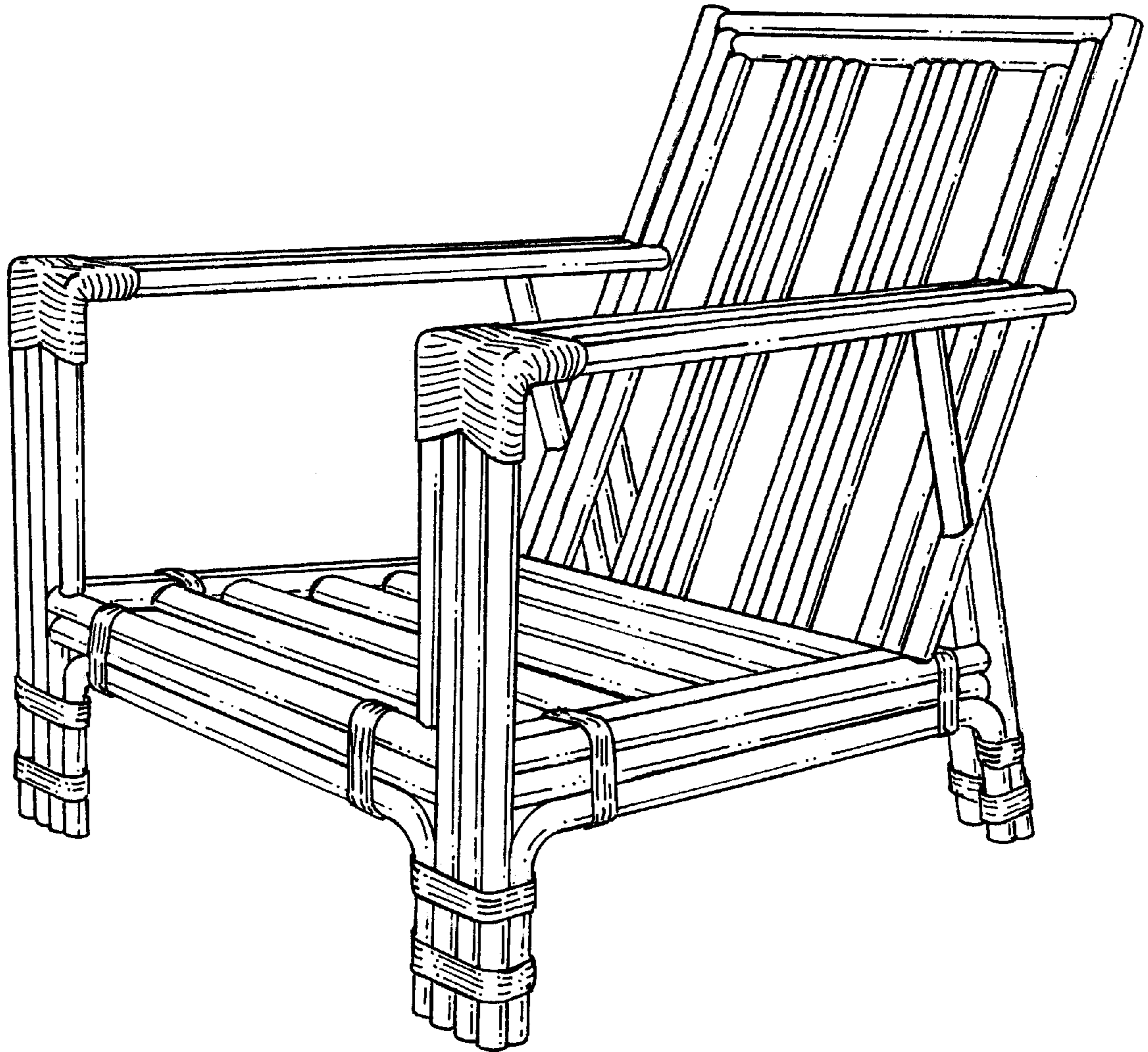


FIG. 1

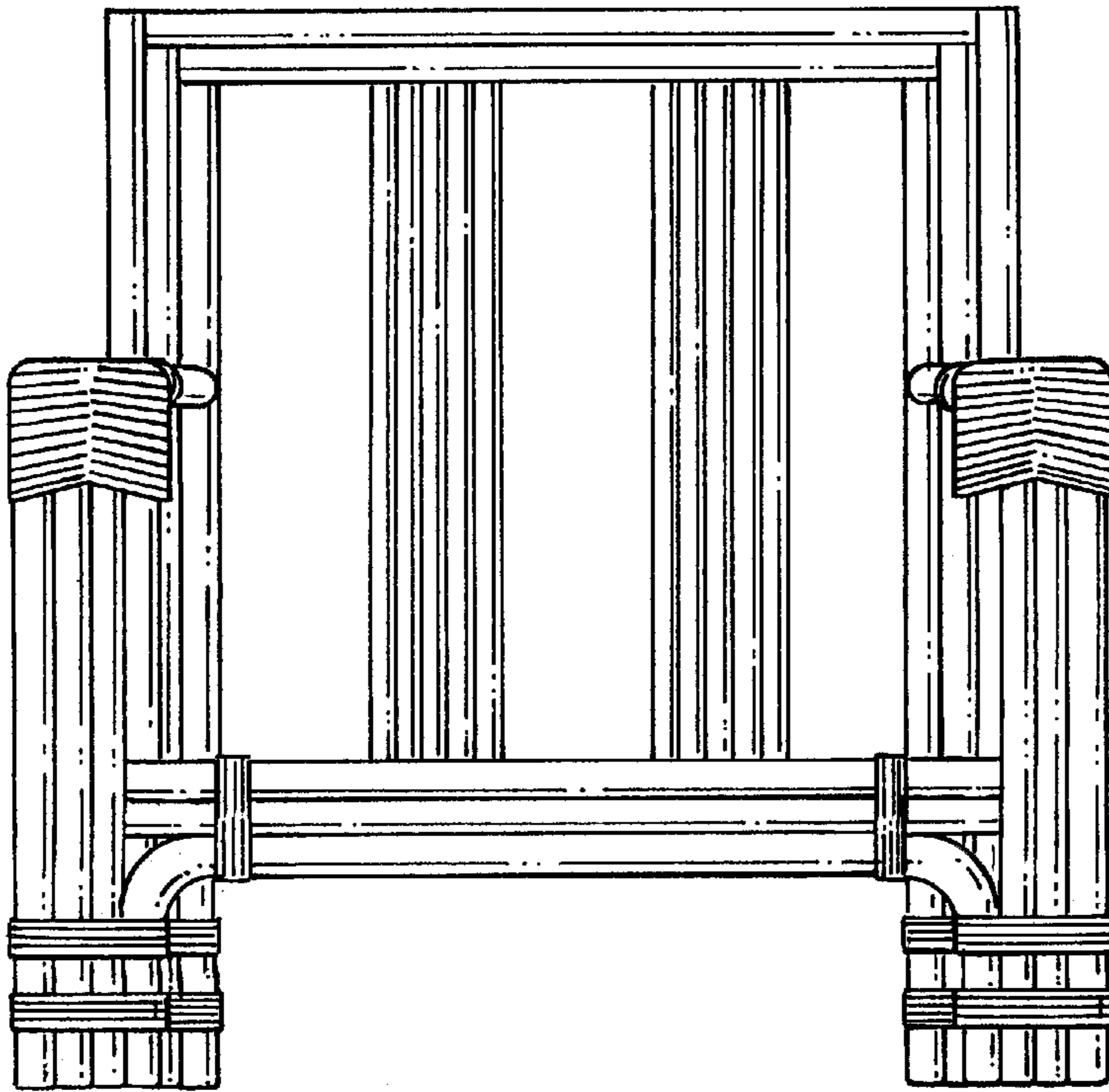
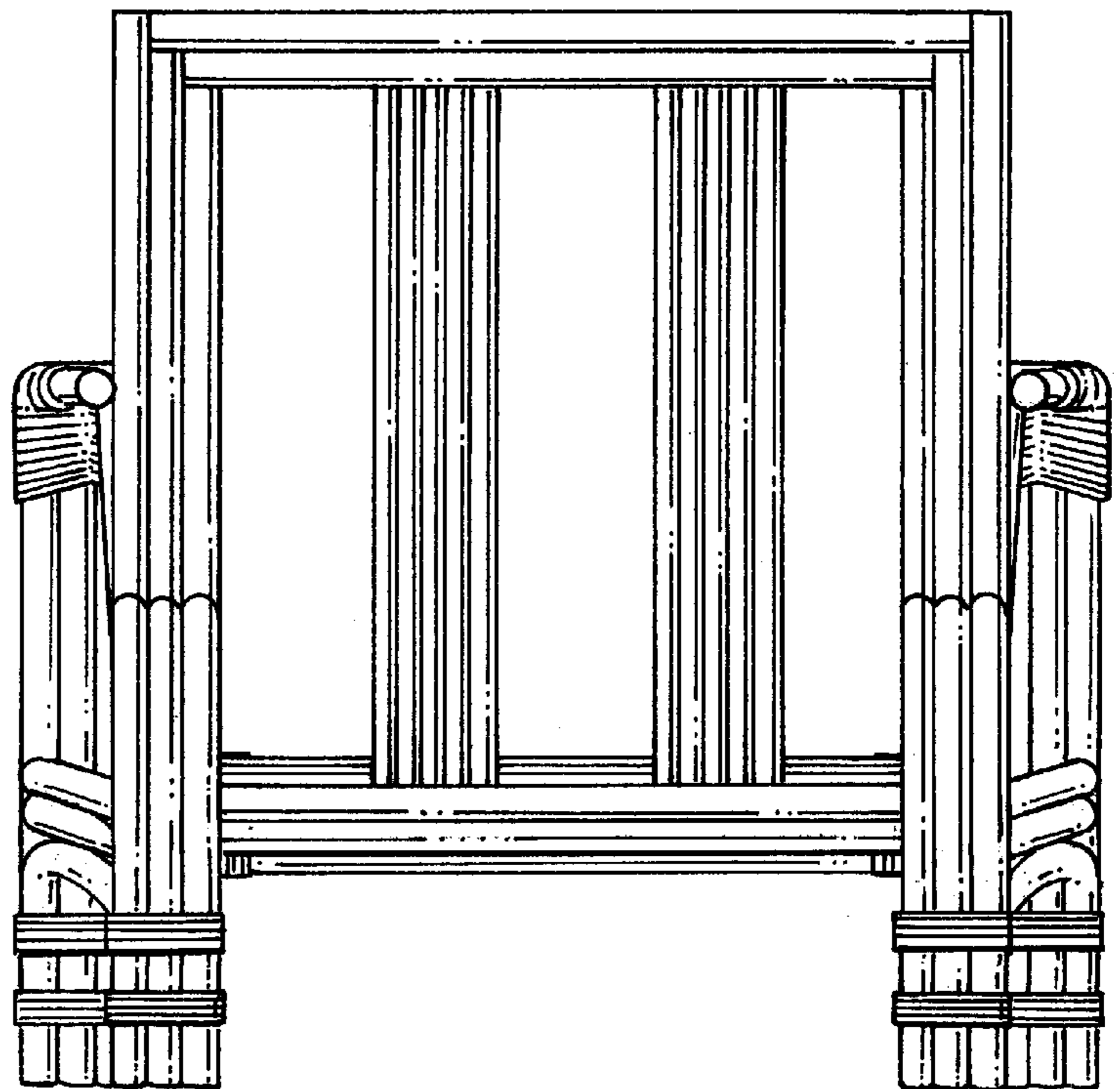


FIG. 2

FIG. 3



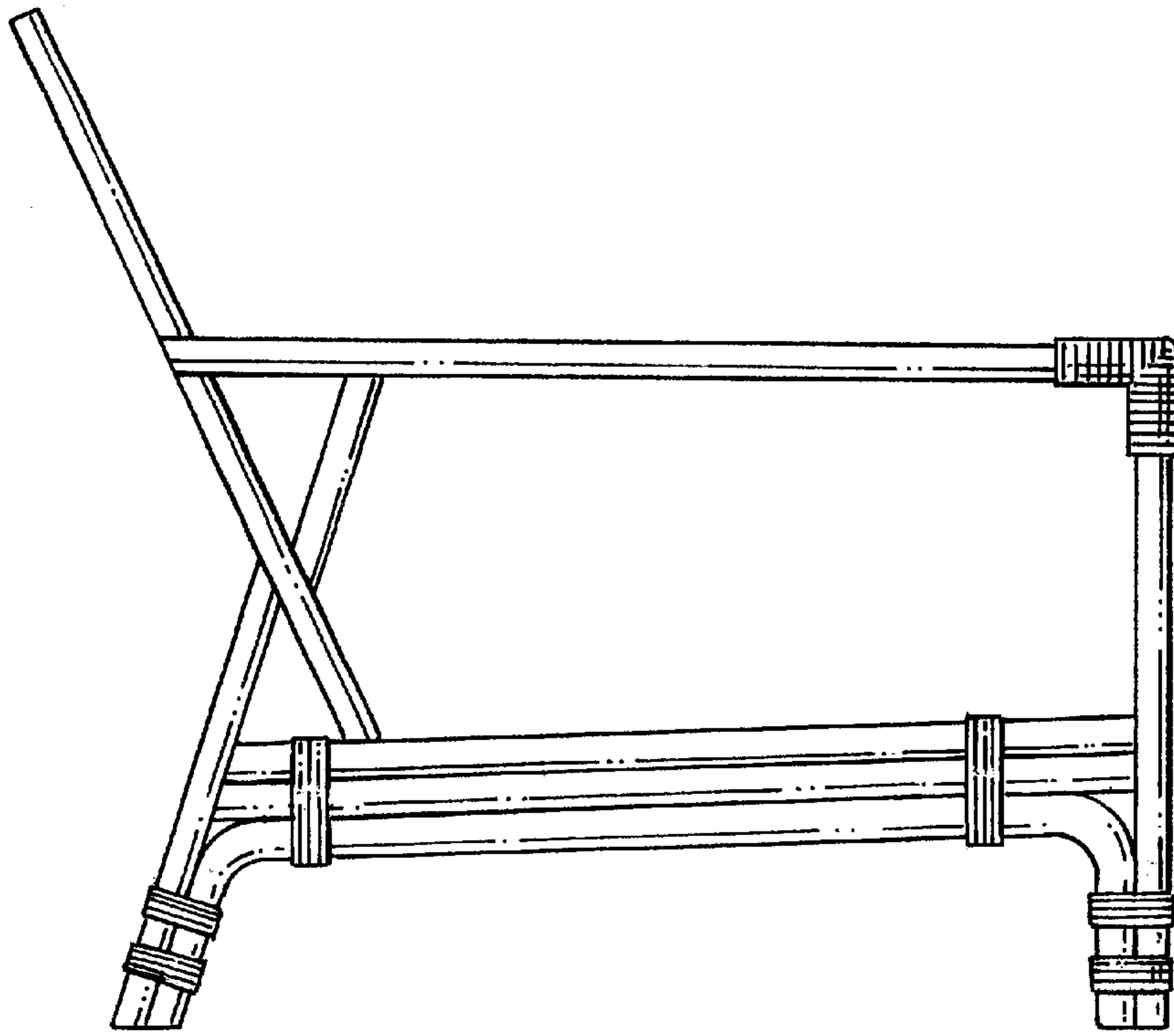


FIG. 4

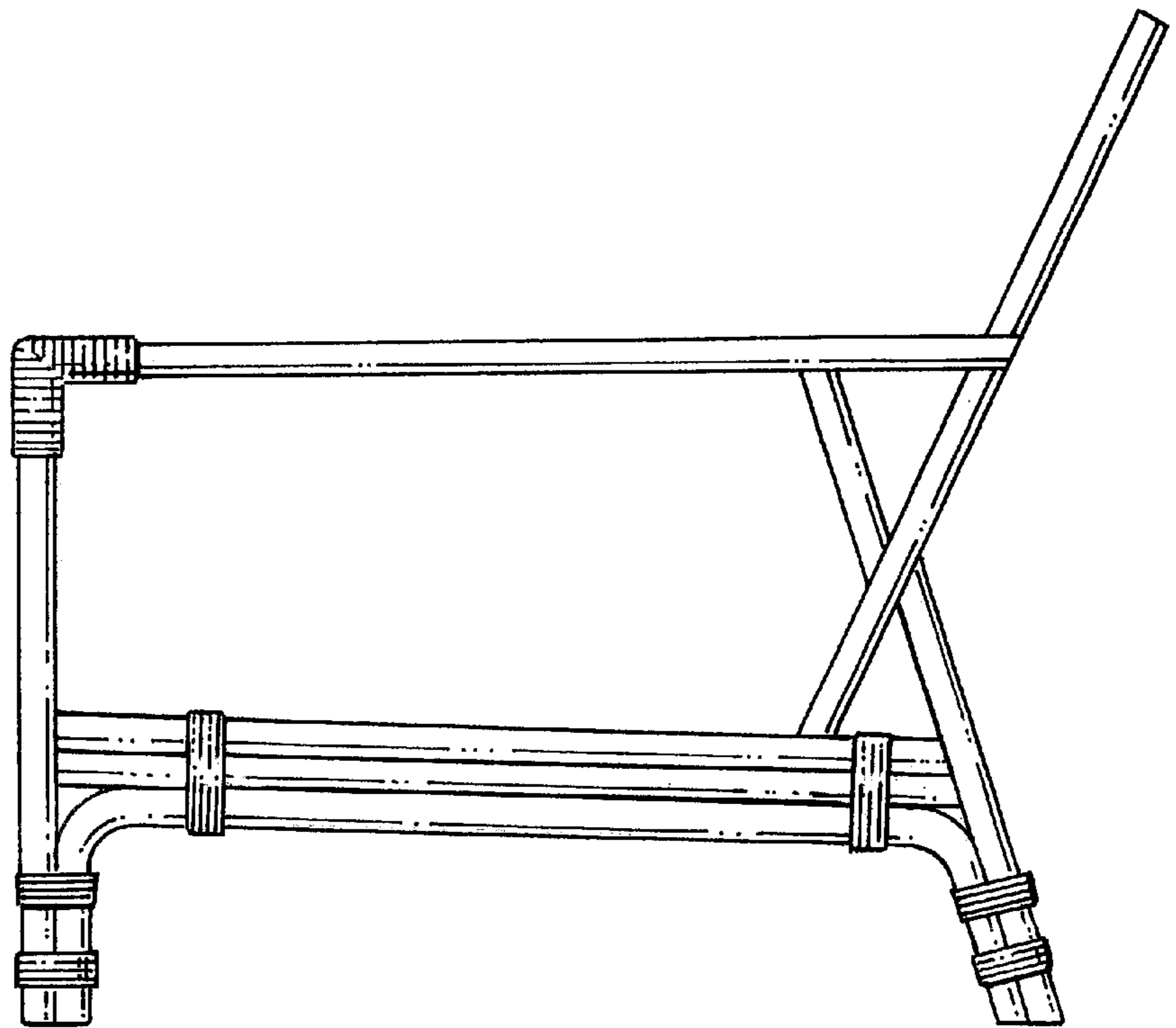


FIG. 5

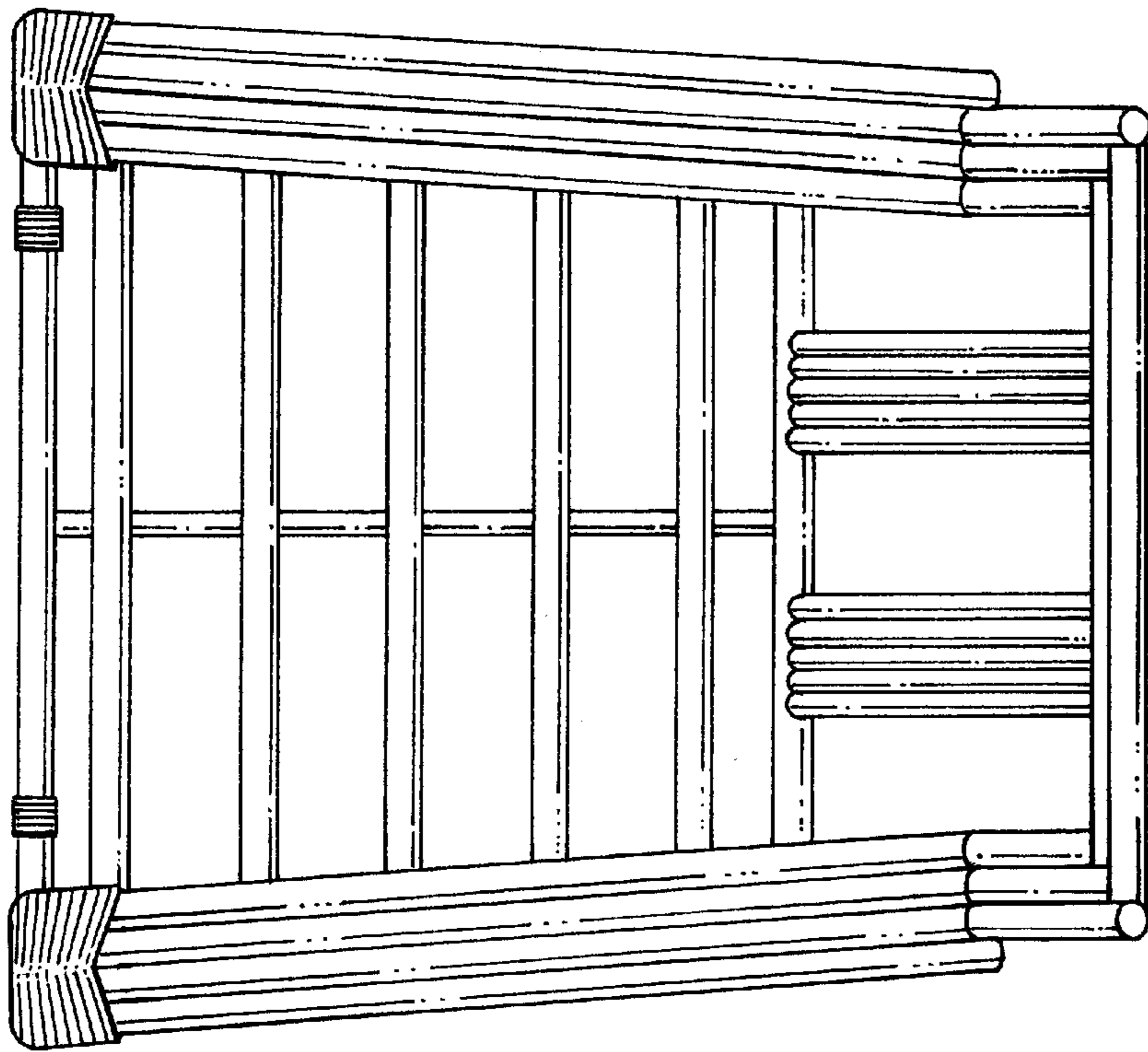


FIG. 6

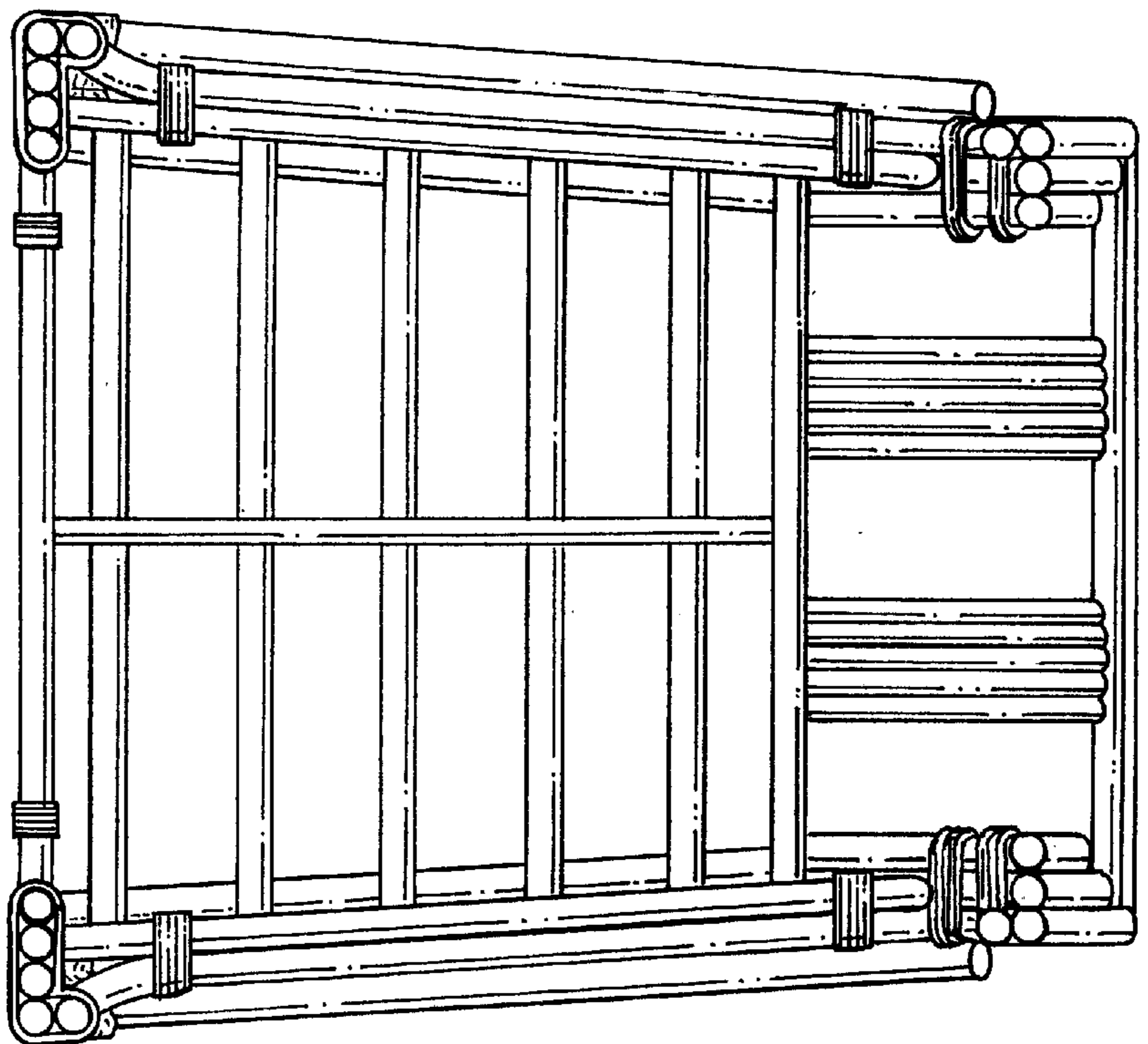


FIG. 7

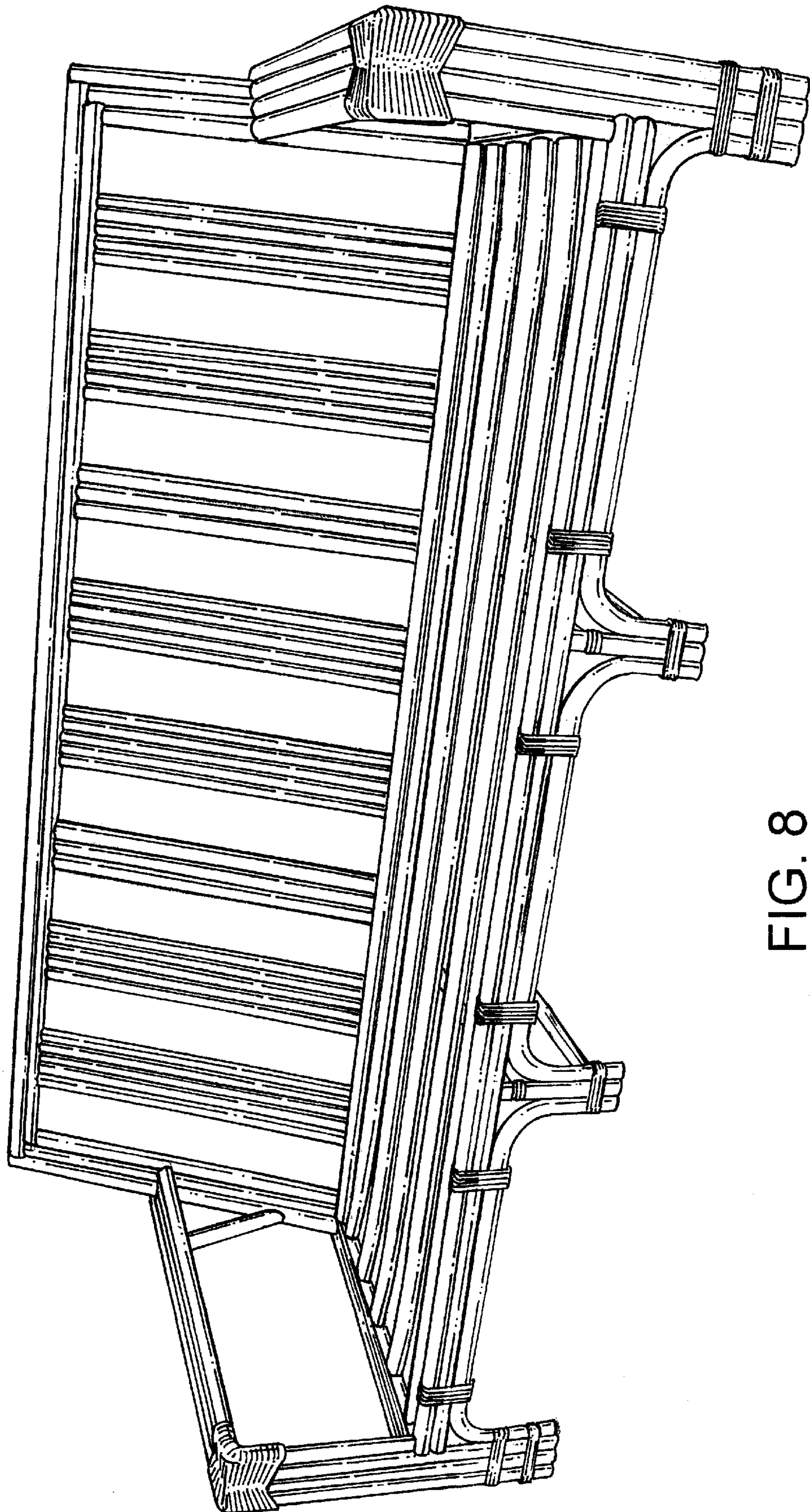


FIG. 8

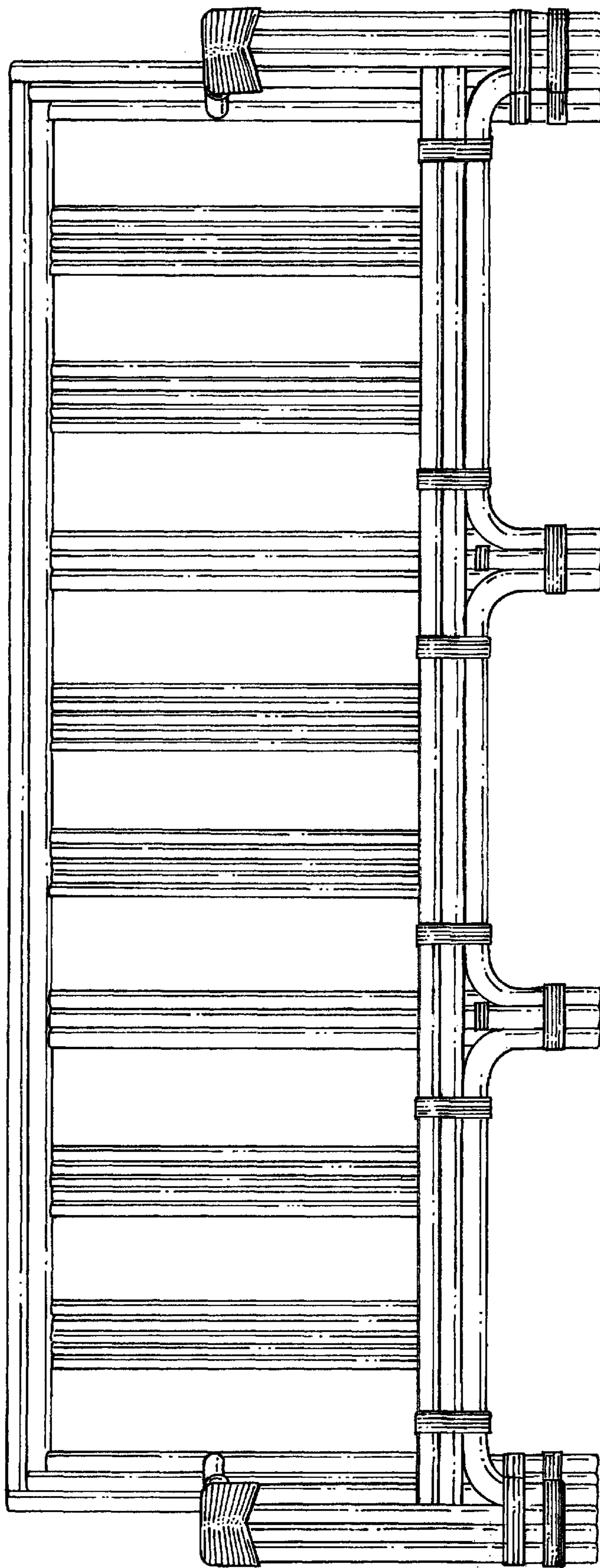


FIG. 9

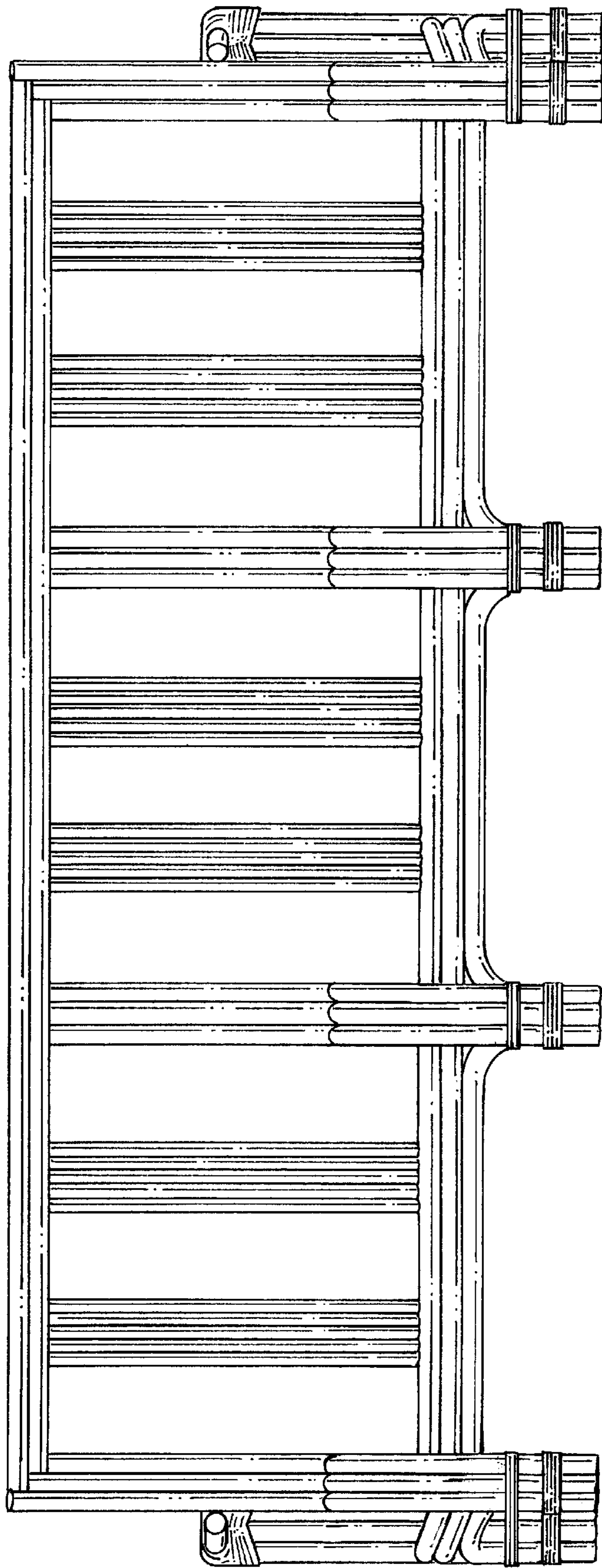


FIG. 10

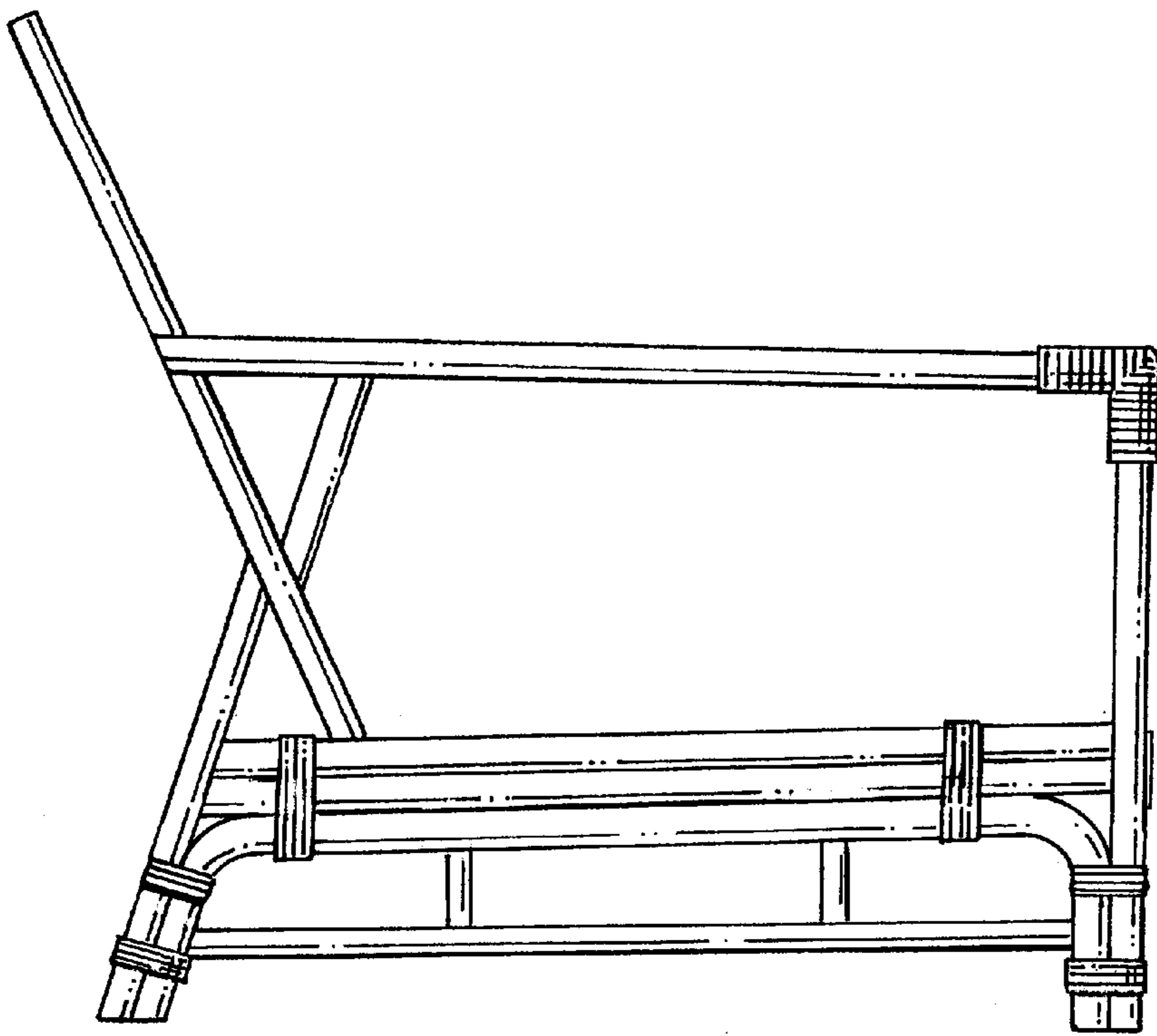


FIG. 11

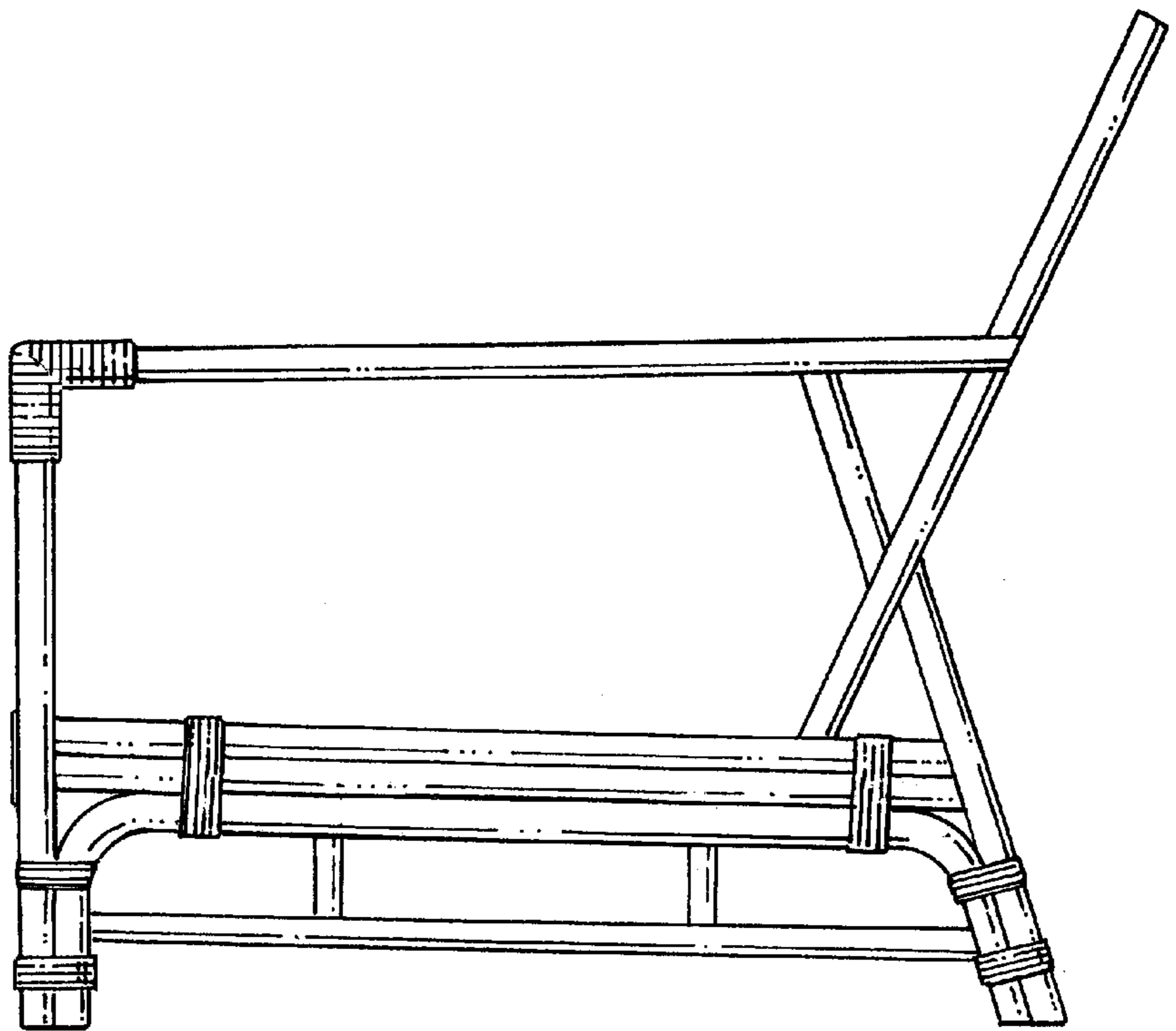


FIG. 12

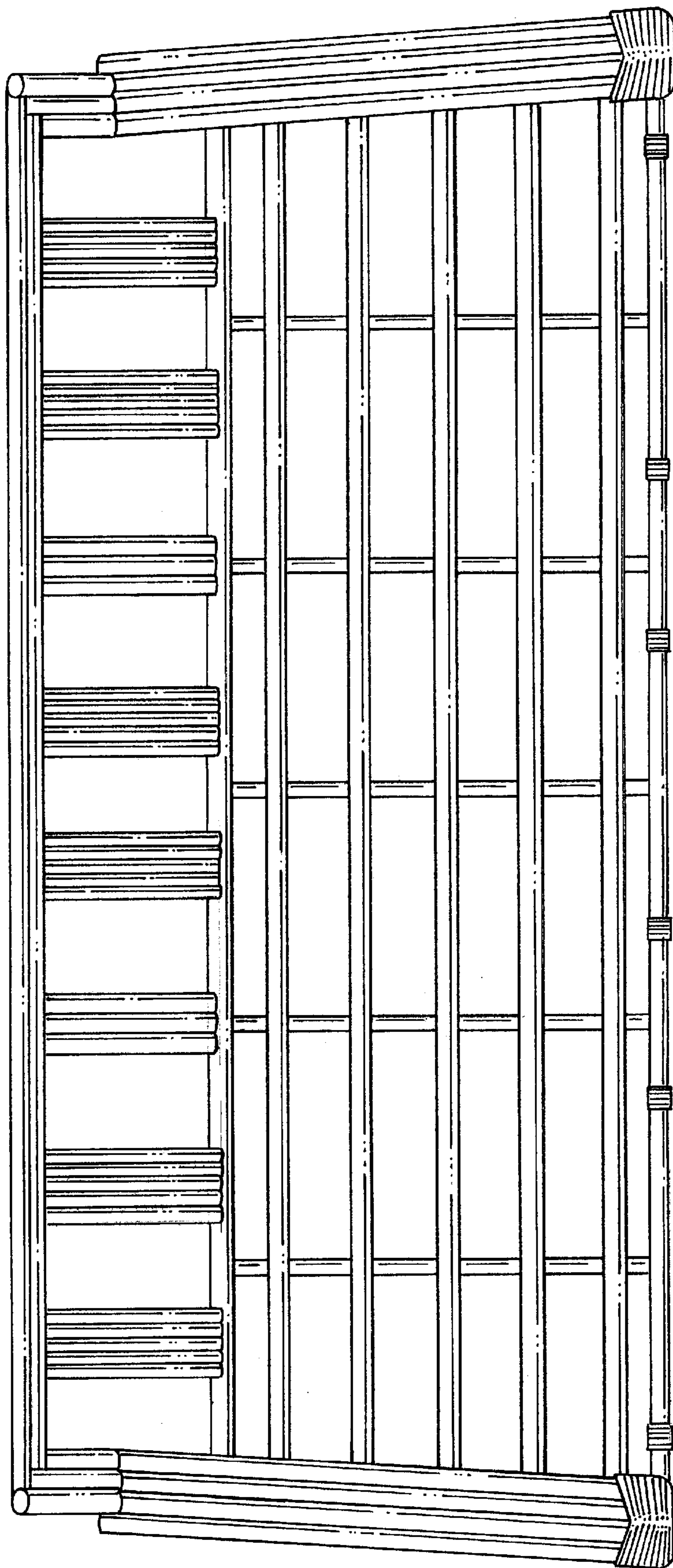


FIG. 13

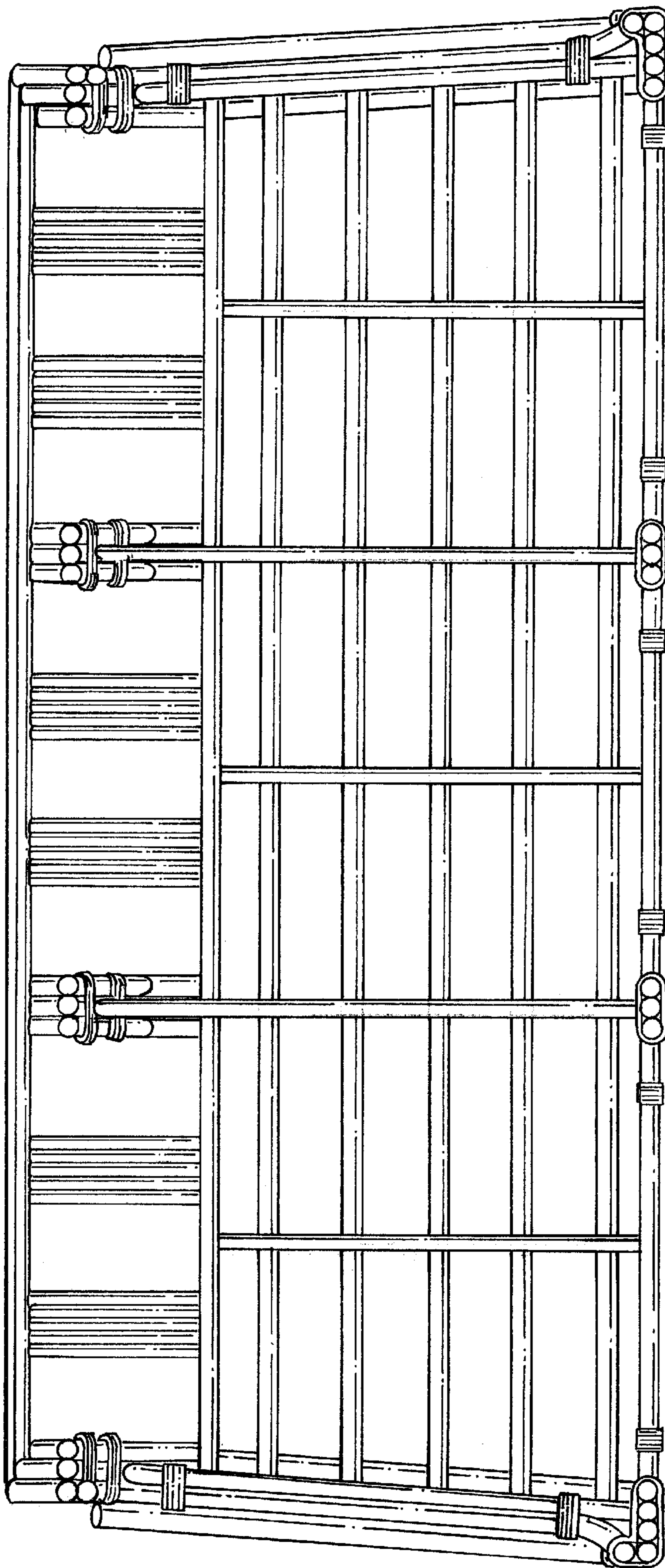


FIG. 14