



US00D473059S

(12) **United States Design Patent**  
**Haney et al.**

(10) **Patent No.:** **US D473,059 S**

(45) **Date of Patent:** **\*\* Apr. 15, 2003**

(54) **GLIDER CHAIR**

(75) Inventors: **Thayne B. Haney**, Syracuse, UT (US);  
**Kent Ashby**, Logan, UT (US)

(73) Assignee: **Lifetime Products, Inc.**, Clearfield, UT (US)

(\*\*) Term: **14 Years**

(21) Appl. No.: **29/168,304**

(22) Filed: **Sep. 30, 2002**

**Related U.S. Application Data**

(62) Division of application No. 29/161,484, filed on May 29, 2002.

(51) **LOC (7) Cl.** ..... **06-01**

(52) **U.S. Cl.** ..... **D6/344**

(58) **Field of Search** ..... D6/334, 335, 336,  
D6/344, 347, 369, 370, 375, 376, 379,  
380, 381, 500-502; 248/370; 297/232,  
273, 280, 281, 287, 452.63, 452.2, 452.18,  
452.19

(56) **References Cited**

**U.S. PATENT DOCUMENTS**

- D135,777 S \* 6/1943 Smith ..... D6/347
- D152,129 S \* 12/1948 Sanford ..... D6/344
- D153,162 S \* 3/1949 Nelems ..... D6/375

- D154,356 S \* 7/1949 Allmand ..... D6/347
- 2,567,612 A \* 9/1951 McGehee ..... 297/281
- 3,047,334 A \* 7/1962 Vanderminden ..... 297/281
- D281,378 S \* 11/1985 Parker ..... D6/379
- D290,911 S \* 7/1987 Pomeroy et al. .... D6/347
- D432,323 S \* 10/2000 Pomeroy et al. .... D6/344
- 6,199,950 B1 \* 3/2001 Noll ..... 297/273

\* cited by examiner

*Primary Examiner*—Doris V. Coles

*Assistant Examiner*—Mimosa De

(74) *Attorney, Agent, or Firm*—Workman, Nydegger & Seeley

(57) **CLAIM**

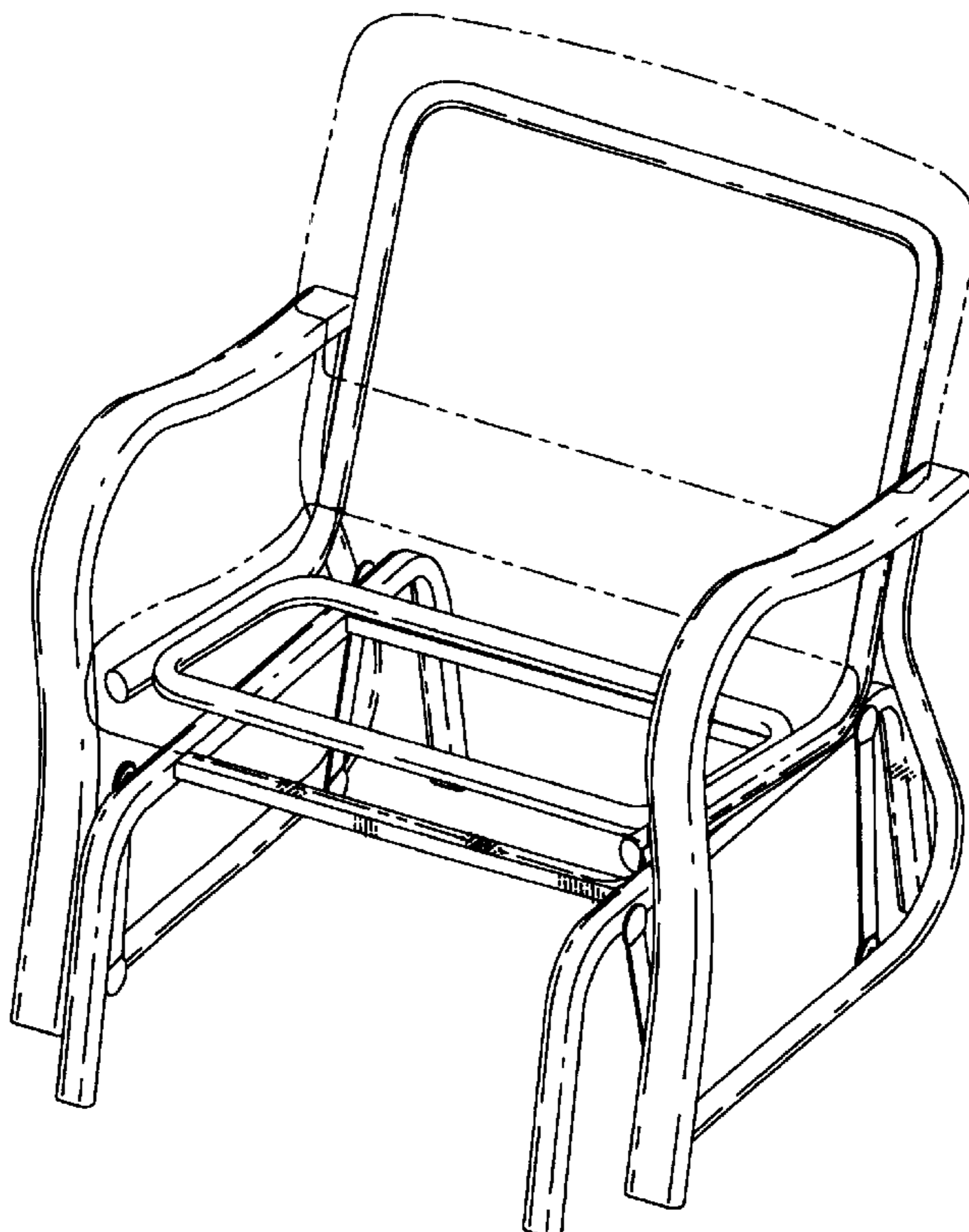
The ornamental design for a glider chair, as shown and described.

**DESCRIPTION**

FIG. 1 is a perspective view of a glider chair;  
FIG. 2 is a front view of the glider chair shown in FIG. 1;  
FIG. 3 is a back view of the glider chair shown in FIG. 1;  
FIG. 4 is a left side view of the glider chair shown in FIG. 1, with the right side view being a mirror image thereof;  
FIG. 5 is a top view of the glider chair shown in FIG. 1; and  
FIG. 6 is bottom plan view of the glider chair shown in FIG. 1.

The broken line shown in the drawing is for illustrative purposes only and forms no part of the claimed design.

**1 Claim, 3 Drawing Sheets**



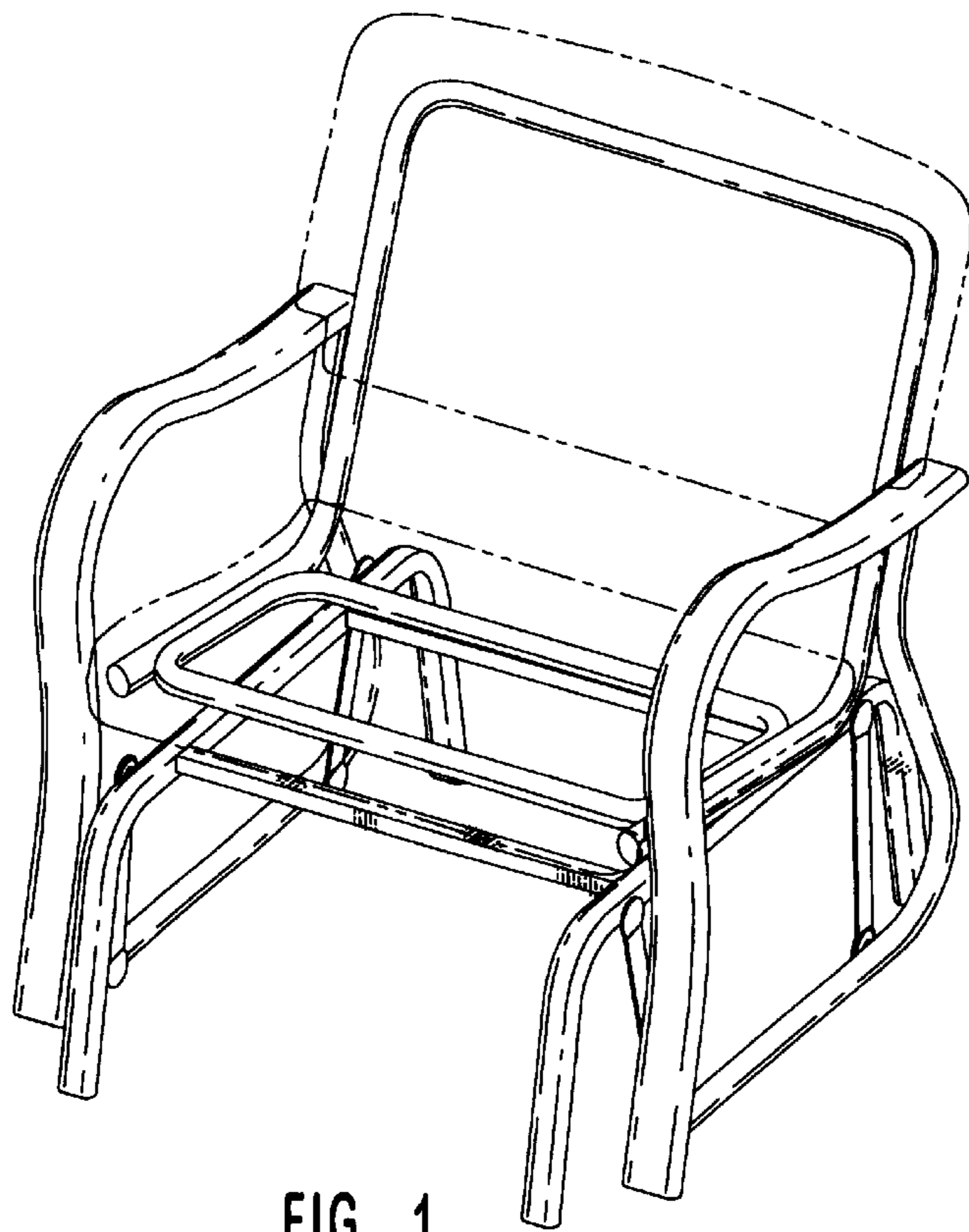


FIG. 1

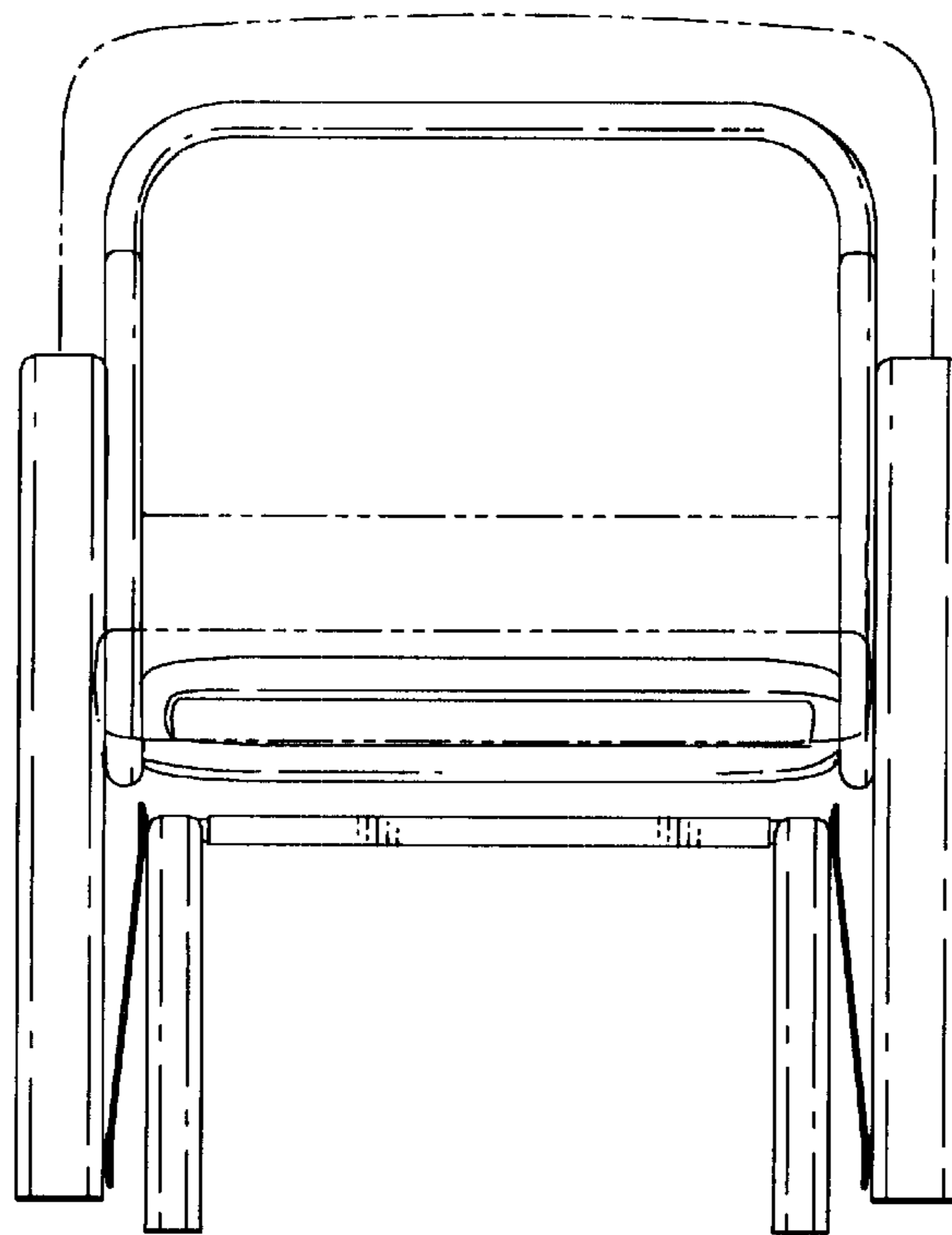


FIG. 2

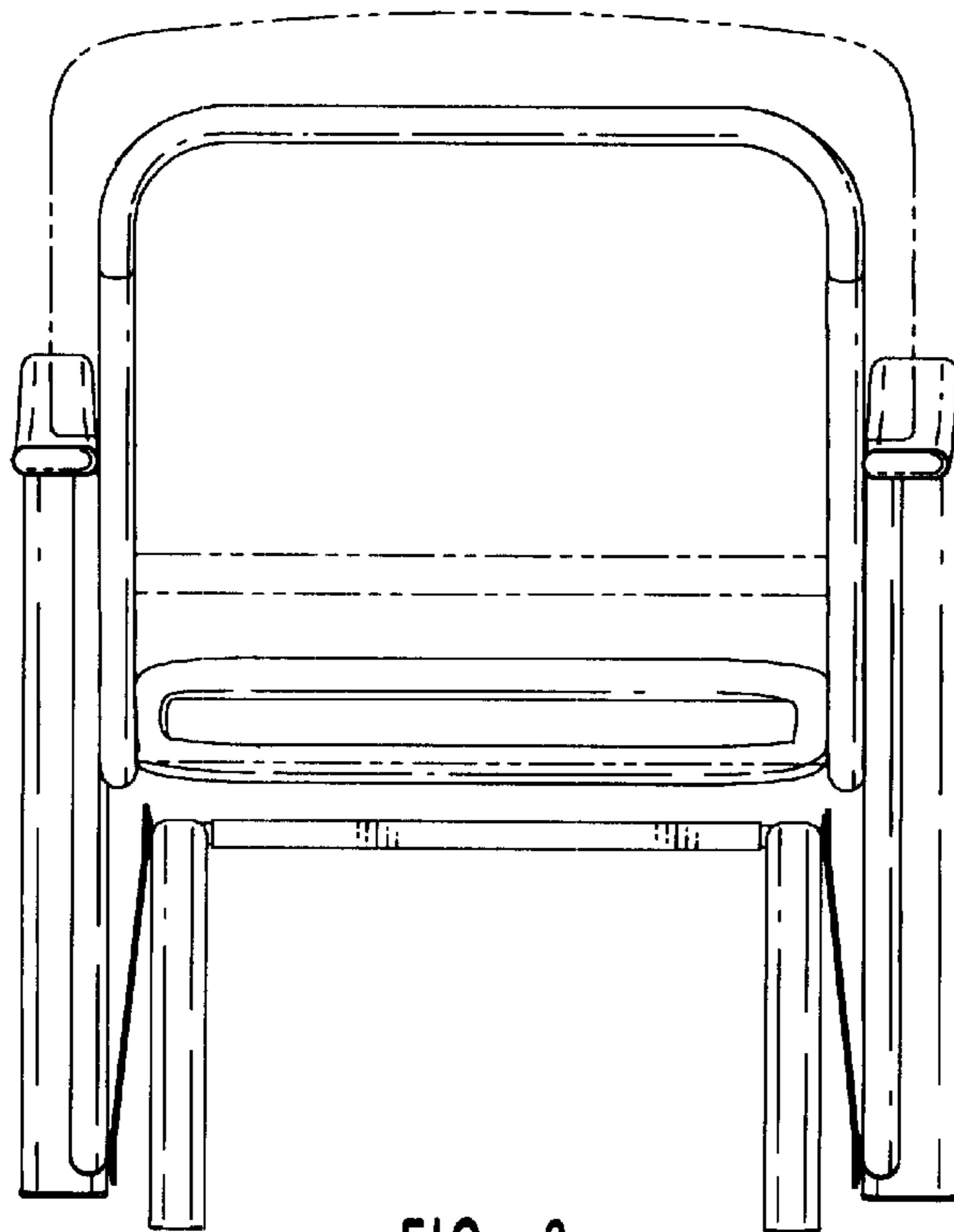


FIG. 3

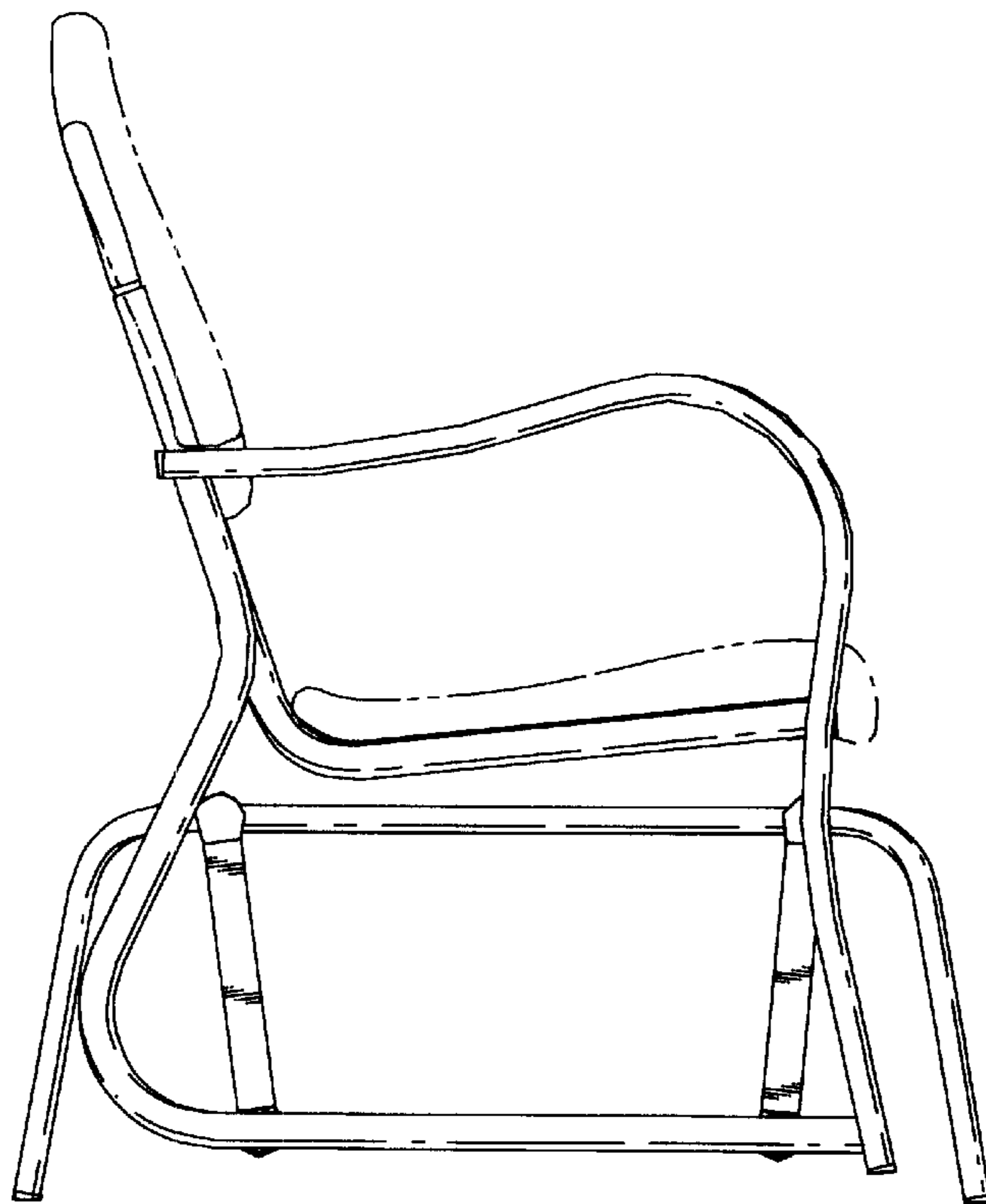


FIG. 4

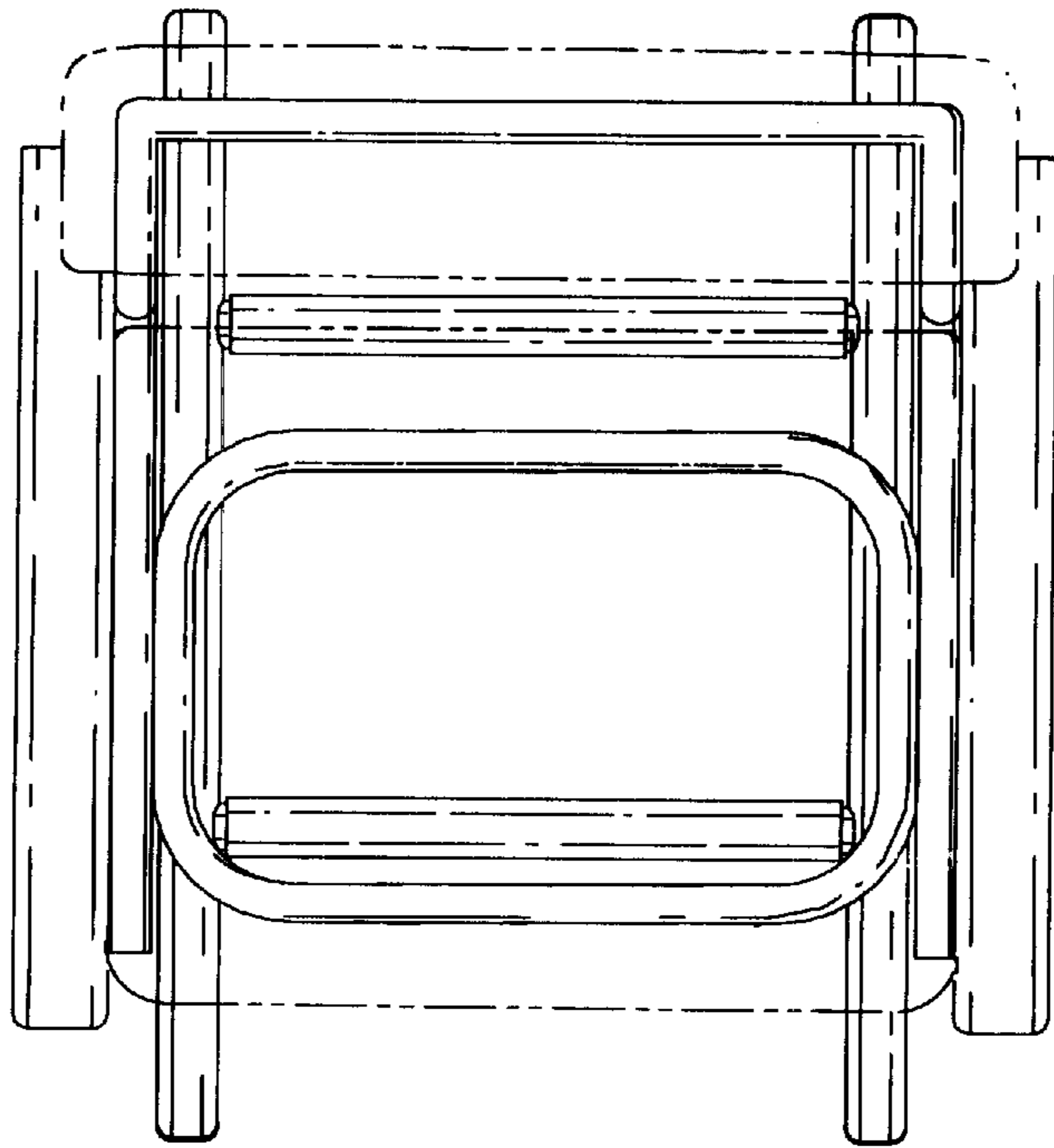


FIG. 5

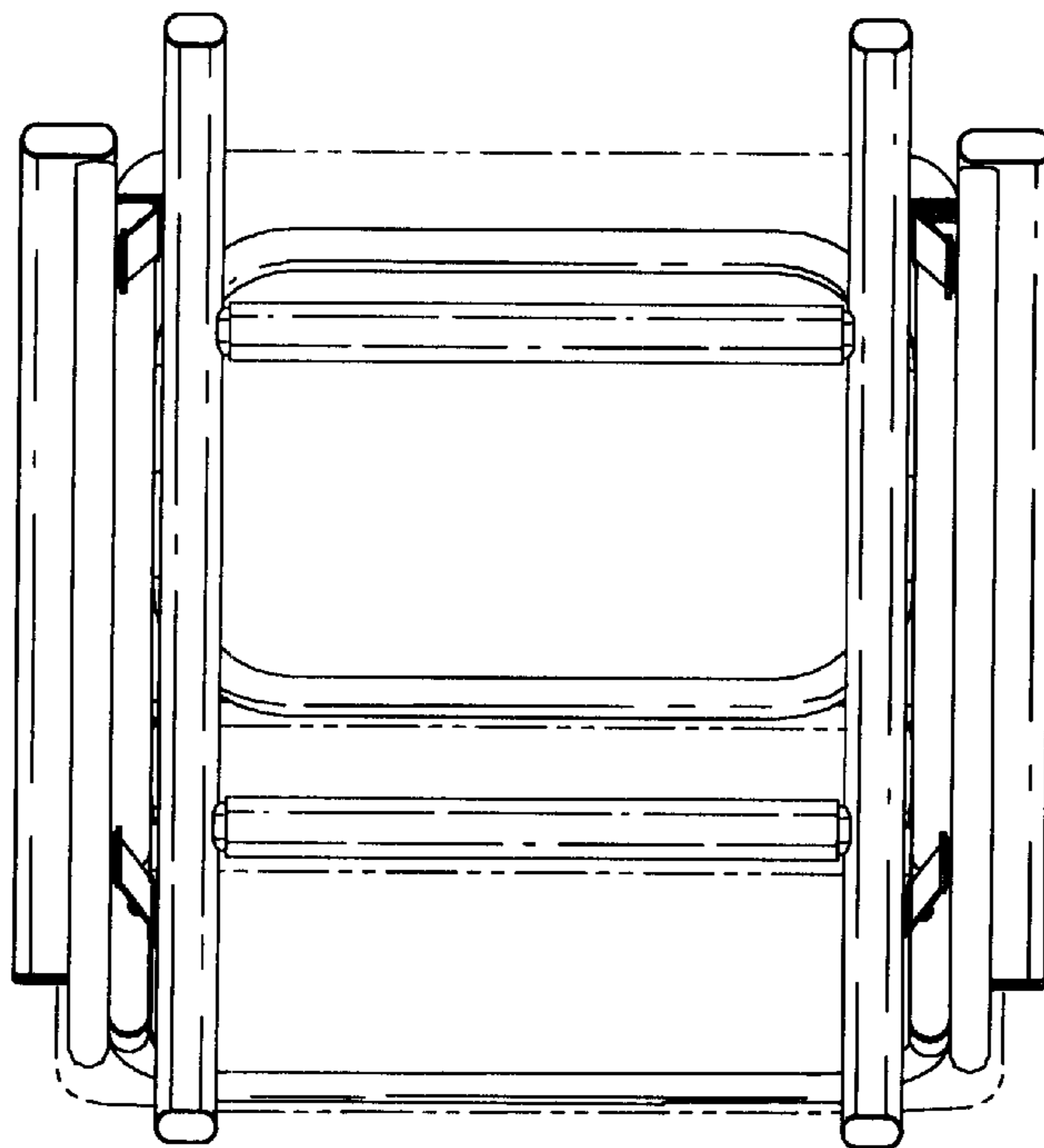


FIG. 6