



US00D473058S

(12) **United States Design Patent**
Ingles

(10) **Patent No.:** **US D473,058 S**

(45) **Date of Patent:** **** Apr. 15, 2003**

(54) **STAND FOR LARGE STRINGED INSTRUMENT**

6,005,176 A * 12/1999 Yu 84/327
6,127,612 A * 10/2000 Yu 84/327
D435,365 S * 12/2000 Eason et al. D6/466

(76) **Inventor:** **Glen H. Ingles**, 2309 Ruhland Ave., #B, Redondo Beach, CA (US) 90278

* cited by examiner

(**) **Term:** **14 Years**

Primary Examiner—Ruth McInroy
(74) *Attorney, Agent, or Firm*—Timothy Thut Tyson; Freilich, Hornbaker & Rosen

(21) **Appl. No.:** **29/152,844**

(22) **Filed:** **Jan. 3, 2002**

(57) **CLAIM**

(51) **LOC (7) Cl.** **06-07**

The ornamental design for a stand for large stringed instrument, as shown.

(52) **U.S. Cl.** **D6/312; D6/466; D17/99**

(58) **Field of Search** D17/13, 20, 99; D6/466, 462, 310, 312; D16/244; D7/402-403, 366; 248/148, 154, 149, 163.1, 432, 676, 371, 158; 84/327, 453, 421

DESCRIPTION

(56) **References Cited**

U.S. PATENT DOCUMENTS

D236,227 S	*	8/1975	Kester, Jr.	D6/431
D329,342 S	*	9/1992	Schoenig	D6/466
D332,882 S	*	2/1993	Graves	D6/466
5,375,497 A	*	12/1994	Pirchio et al.	84/327
D357,828 S	*	5/1995	Liao	D6/466
5,959,225 A	*	9/1999	Hsu	84/327

FIG. 1 is a front elevation view of a stand for large stringed instrument showing my new design;
FIG. 2 is a bottom plan view thereof;
FIG. 3 is a top plan view thereof;
FIG. 4 is a right side elevation view thereof;
FIG. 5 is a rear elevation view thereof; and,
FIG. 6 is a front, top, left side perspective view thereof.
The cello and bow shown in broken lines in FIG. 6 are shown for illustrative purposes only and form no part of the claimed design.

1 Claim, 3 Drawing Sheets

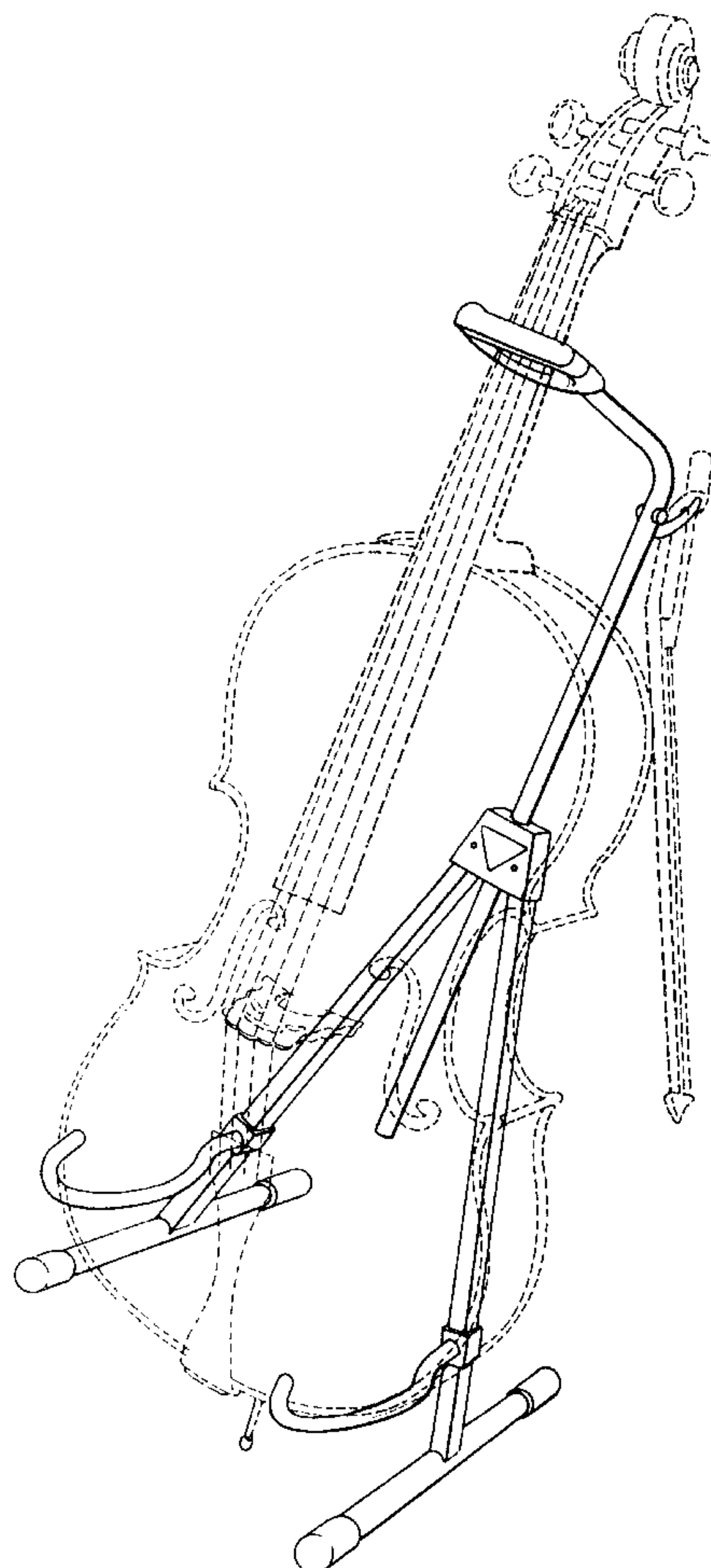
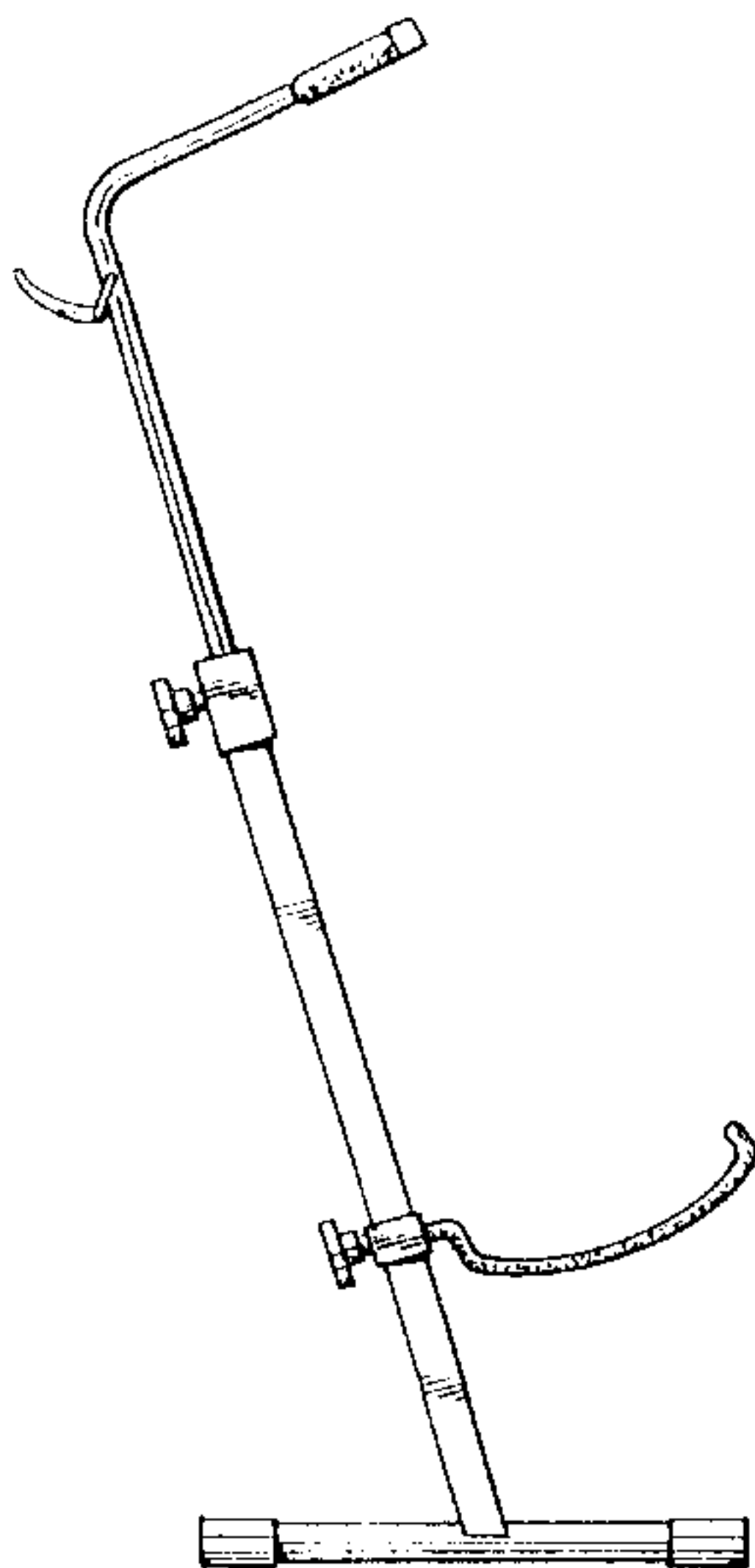
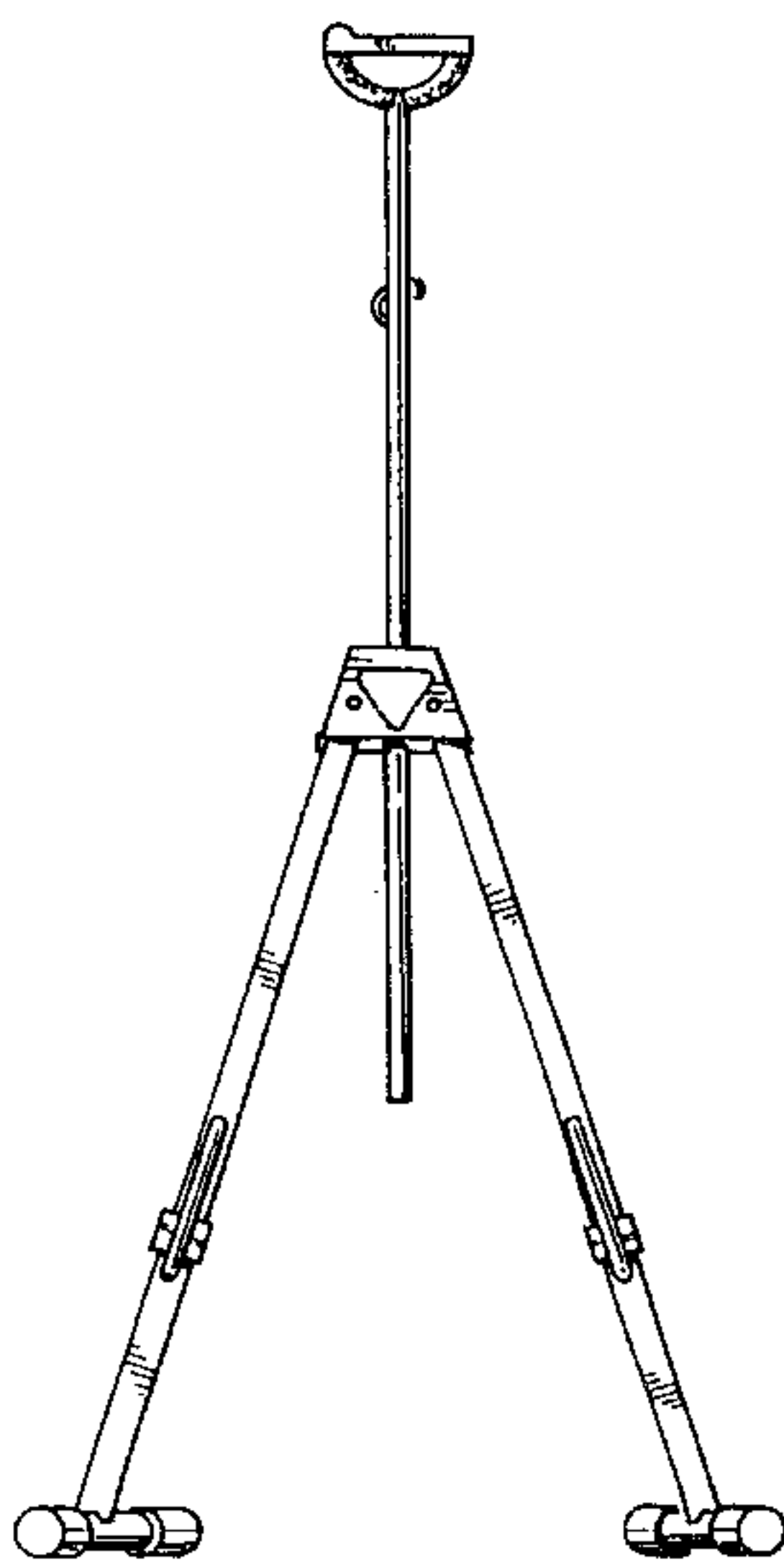


FIG. 1

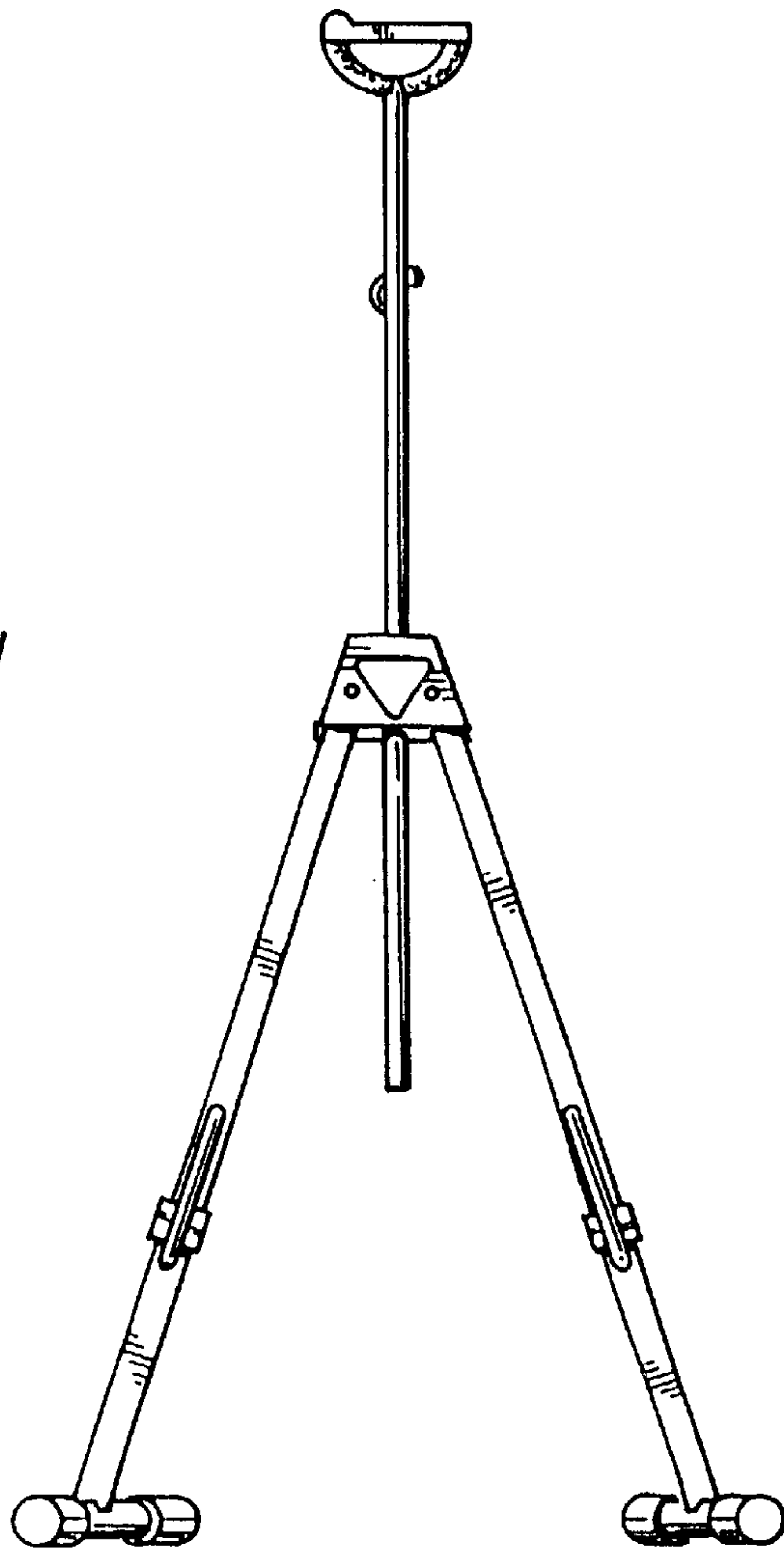
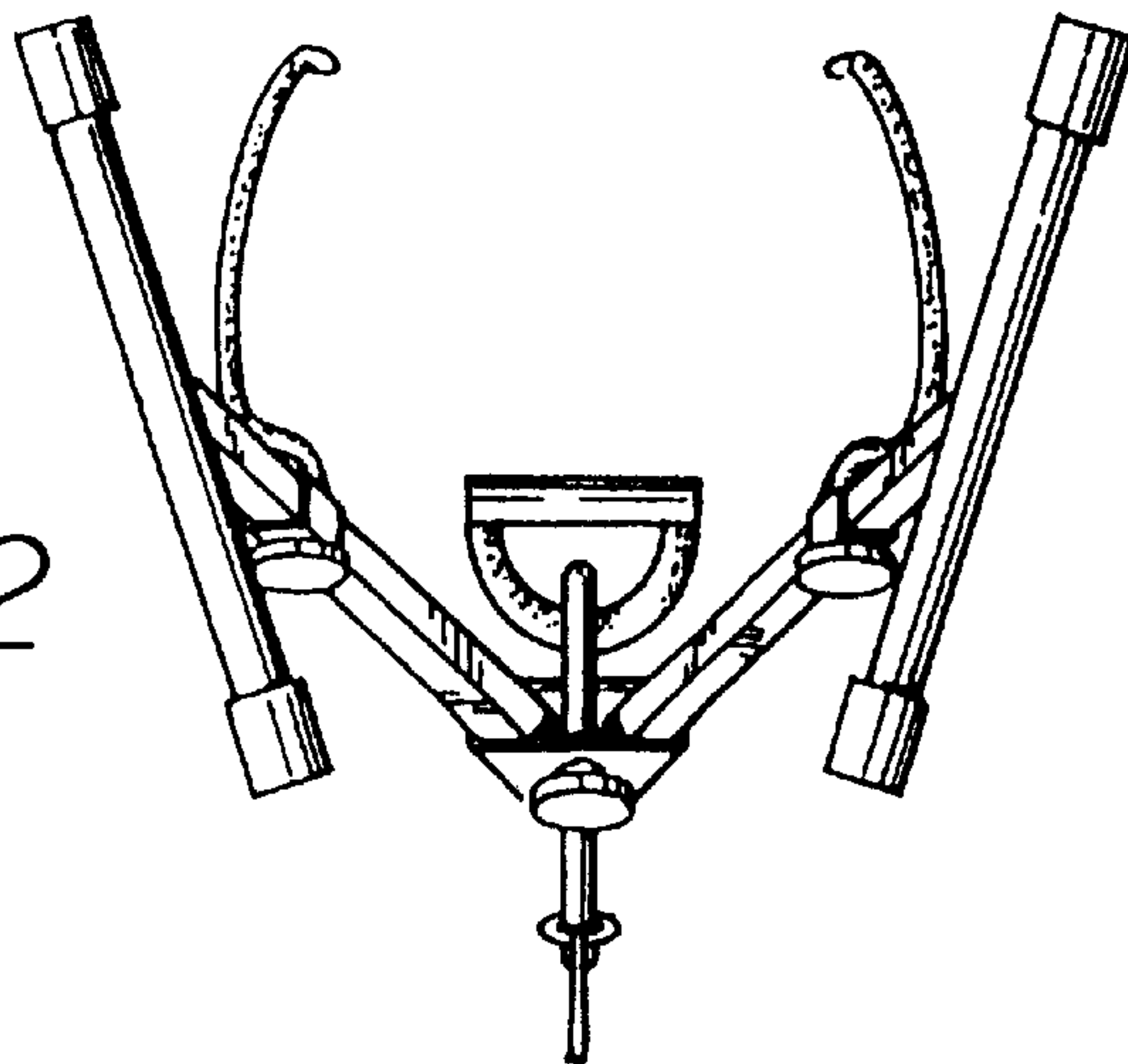


FIG. 2



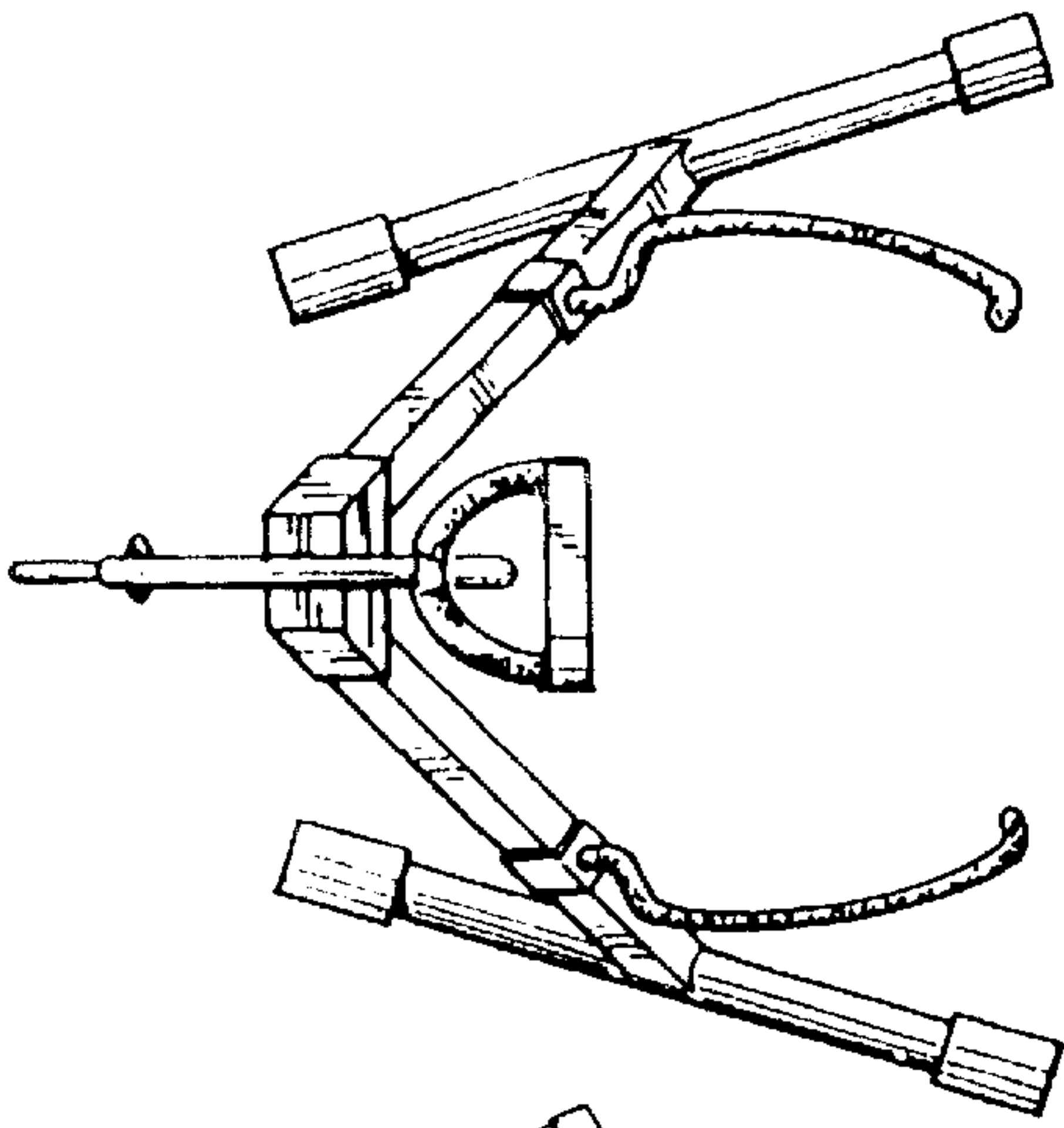


FIG. 3

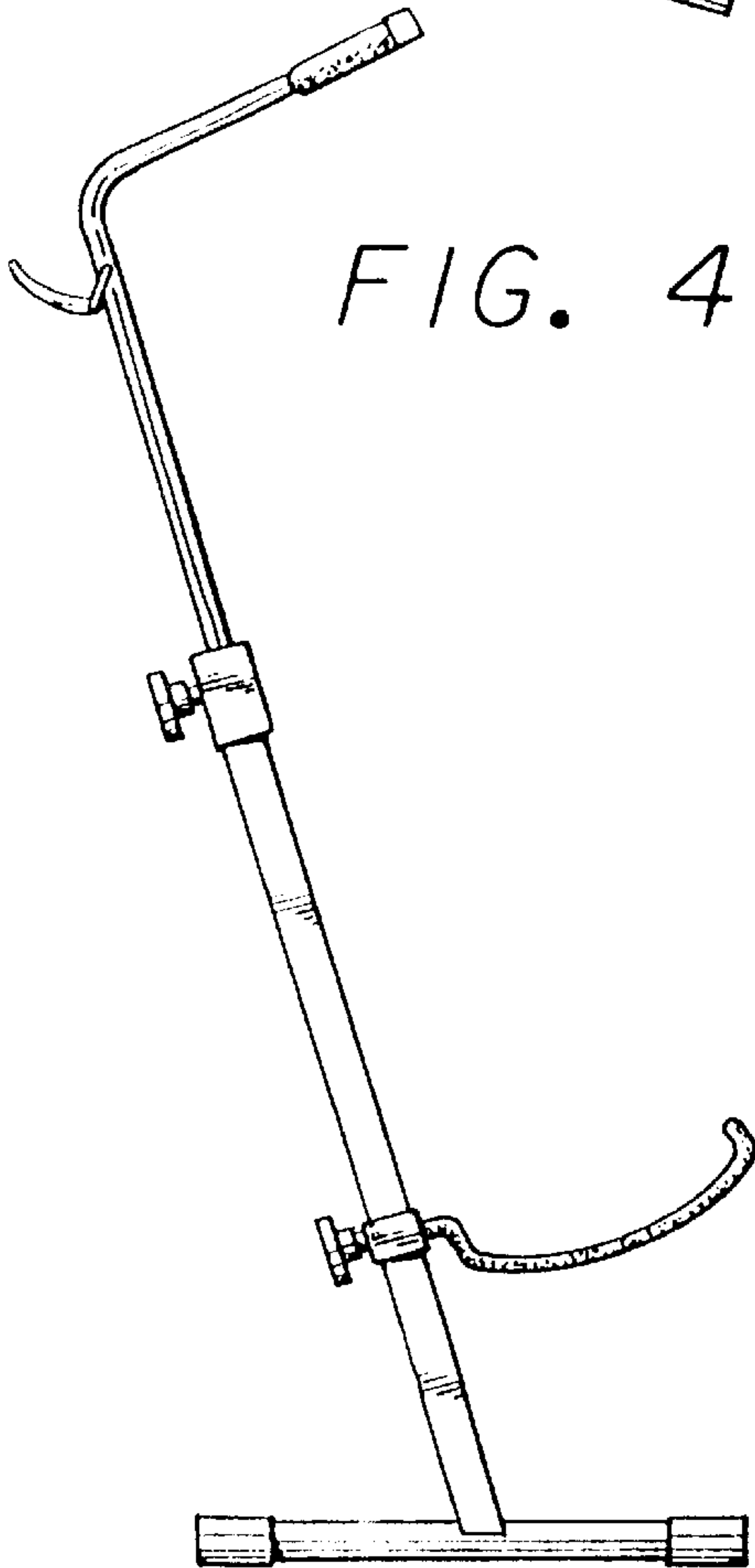


FIG. 4

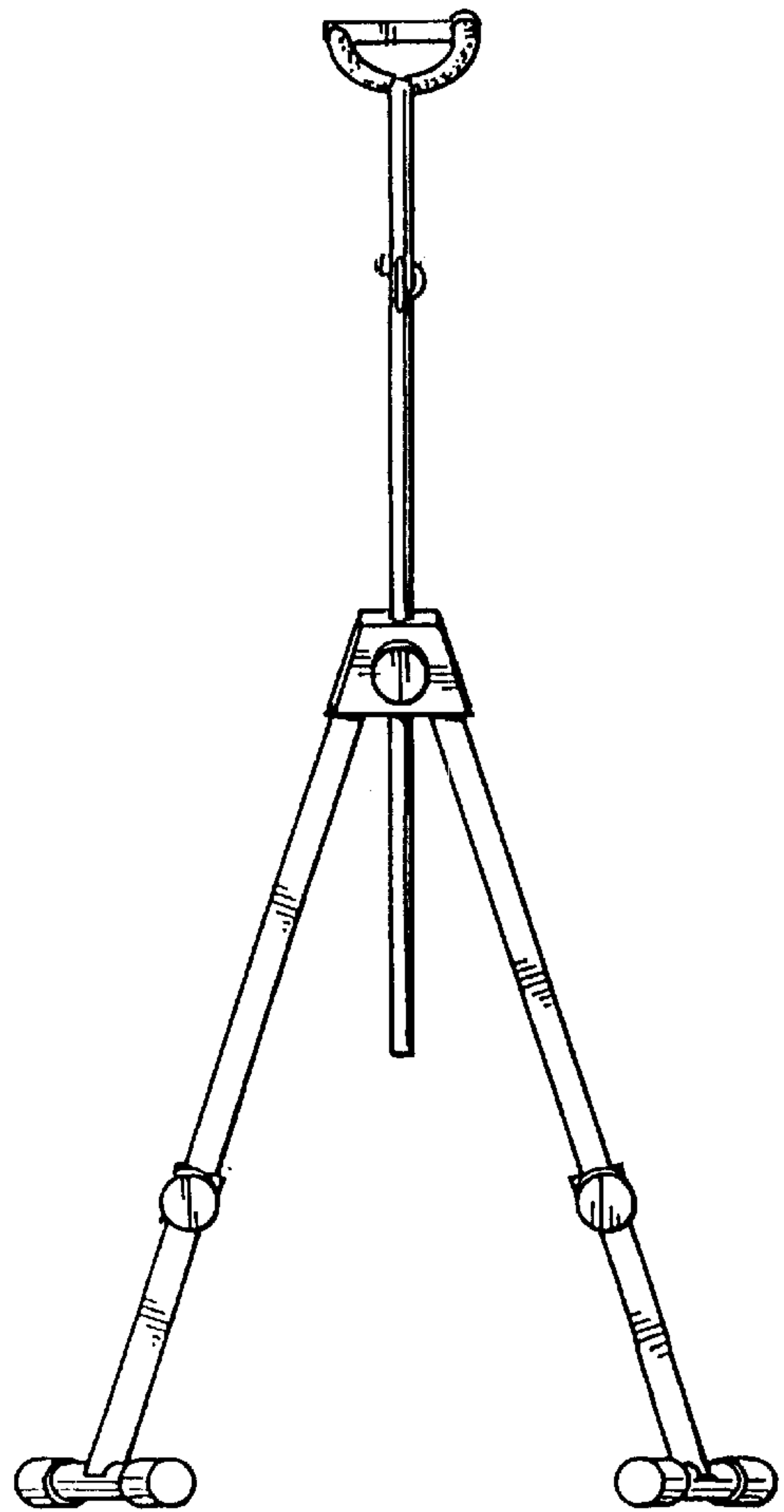


FIG. 5

FIG. 6

