



US00D473056S

(12) **United States Design Patent**  
**Prince et al.**

(10) **Patent No.:** **US D473,056 S**

(45) **Date of Patent:** **\*\* Apr. 15, 2003**

(54) **PAINT APPLICATOR**

(75) Inventors: **Michael D. Prince**, Chicago, IL (US);  
**Michael H. Reedy**, Chicago, IL (US);  
**Sona N. Patadia**, Hanover Park, IL (US)

(73) Assignee: **Newell Operating Company**, Freeport, IL (US)

(\*\*) Term: **14 Years**

(21) Appl. No.: **29/152,527**

(22) Filed: **Dec. 21, 2001**

(51) **LOC (7) Cl.** ..... **08-05**

(52) **U.S. Cl.** ..... **D4/122**

(58) **Field of Search** ..... D4/122, 138, 199;  
15/143.1, 210.5, 230.11; 16/421, 430

(56) **References Cited**

**U.S. PATENT DOCUMENTS**

- 3,386,124 A \* 6/1968 Feine ..... 15/230.11
- 4,870,757 A \* 10/1989 Kirkpatrick et al. .... 16/430 X
- 5,606,772 A \* 3/1997 Ilic ..... 16/421
- 5,623,740 A \* 4/1997 Burns et al. .... 15/230.11
- D465,090 S \* 11/2002 Robinson ..... D4/122

\* cited by examiner

*Primary Examiner*—Alan P. Douglas  
*Assistant Examiner*—Lavone D. Tabor

(74) *Attorney, Agent, or Firm*—Marshall Gerstein & Borun

(57) **CLAIM**

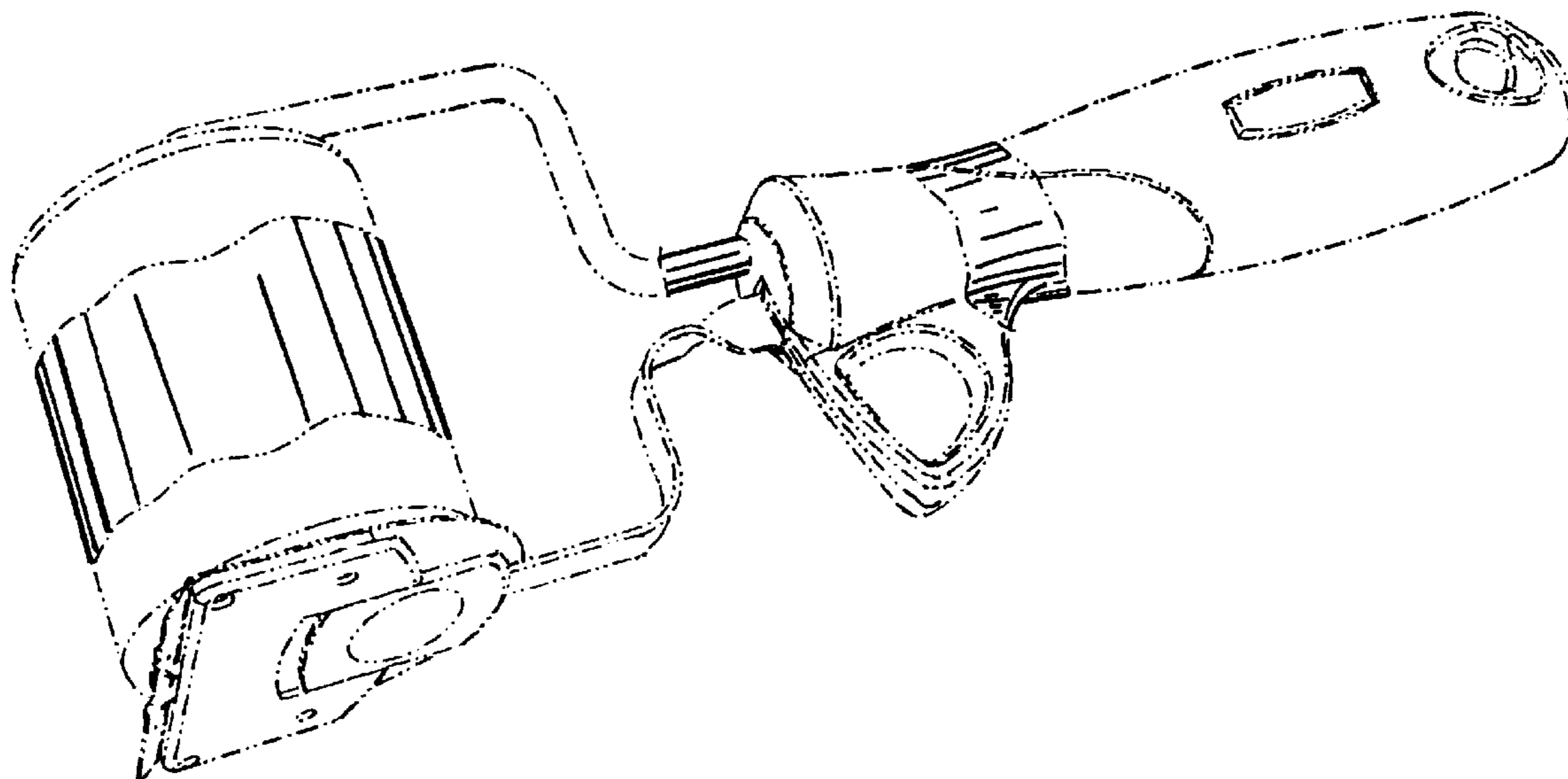
The ornamental design for a paint applicator, as shown and described.

**DESCRIPTION**

FIG. 1 is a perspective of an exemplary embodiment of an ornamental design for a paint applicator handle;  
 FIG. 2 is a top plan view thereof;  
 FIG. 3 is a rear elevational view thereof;  
 FIG. 4 is a bottom plan view thereof;  
 FIG. 5 is a front elevational view thereof;  
 FIG. 6 is a right end elevational view thereof;  
 FIG. 7 is a left end elevational view thereof;  
 FIG. 8 is a perspective view of an alternative embodiment of the paint applicator handle of FIG. 1;  
 FIG. 9 is a top plan view thereof;  
 FIG. 10 is a rear elevational view thereof;  
 FIG. 11 is a bottom plan view thereof;  
 FIG. 12 is a front elevational view thereof;  
 FIG. 13 is a right end elevational view thereof; and,  
 FIG. 14 is a left end elevational view thereof.

The broken lines immediately adjacent the ends of the claimed portions represent the bounds of the claimed design. All of the other broken lines are for illustrative purposes only. None of the broken lines form part of the claimed design.

**1 Claim, 6 Drawing Sheets**



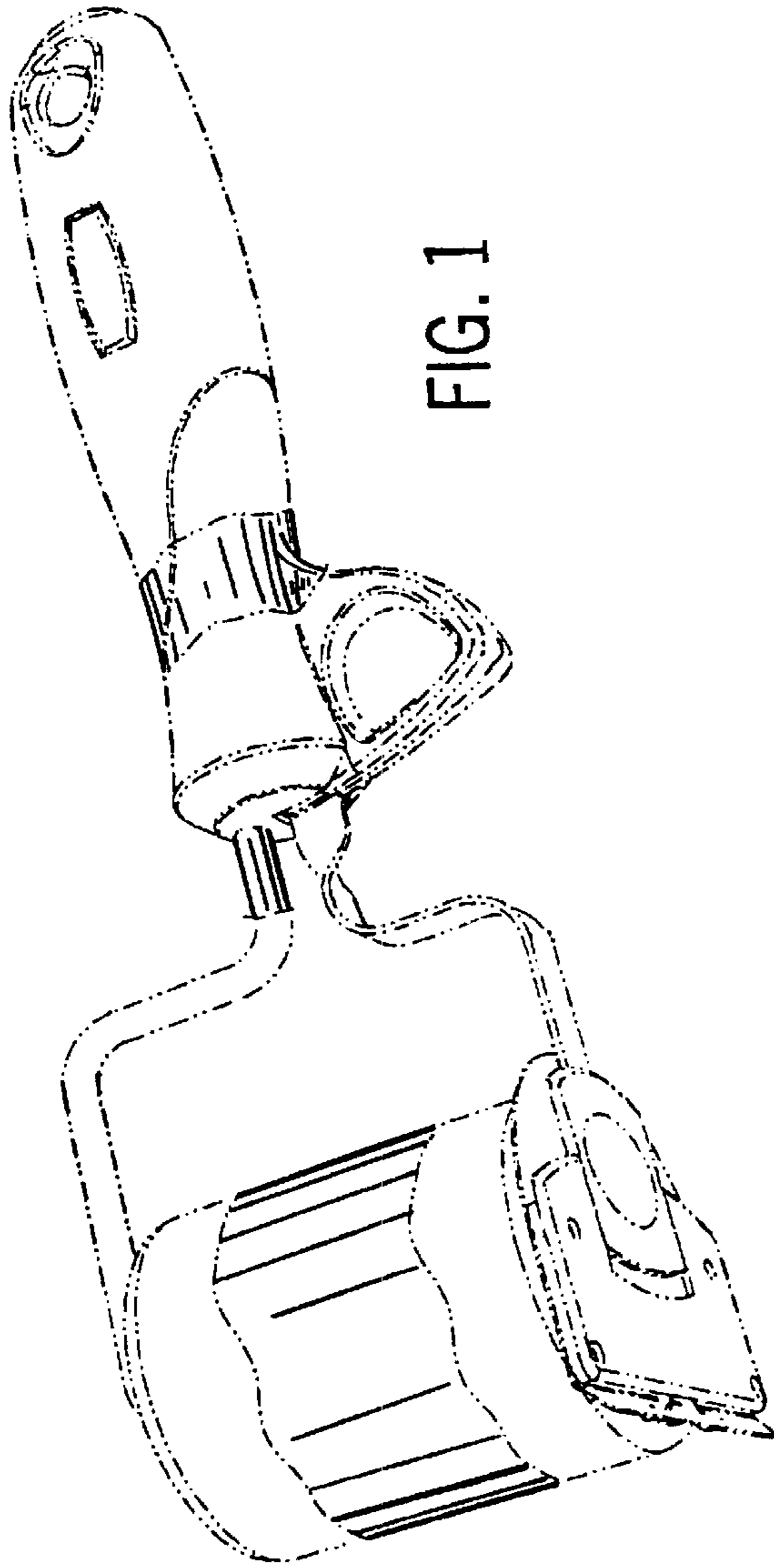


FIG. 1

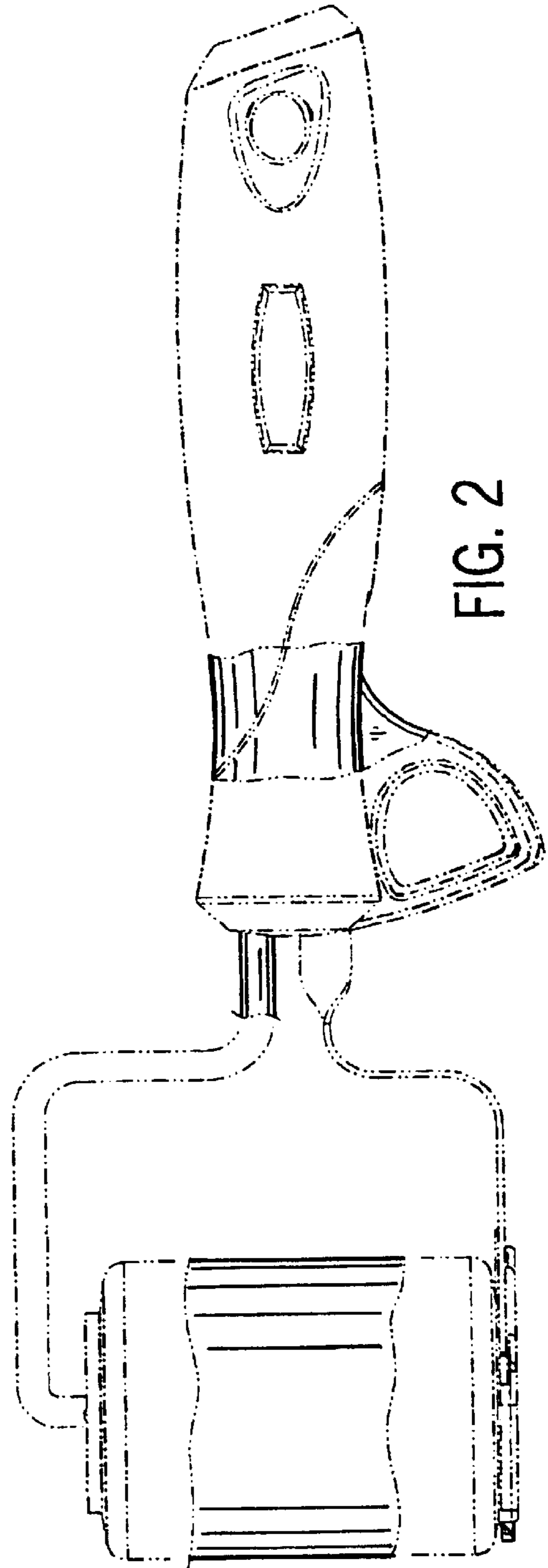


FIG. 2

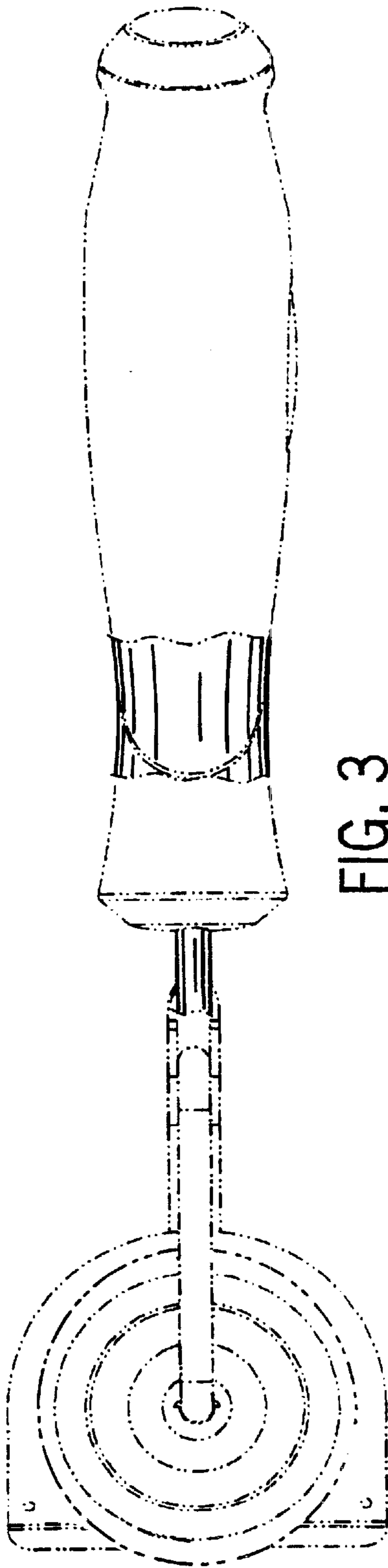


FIG. 3

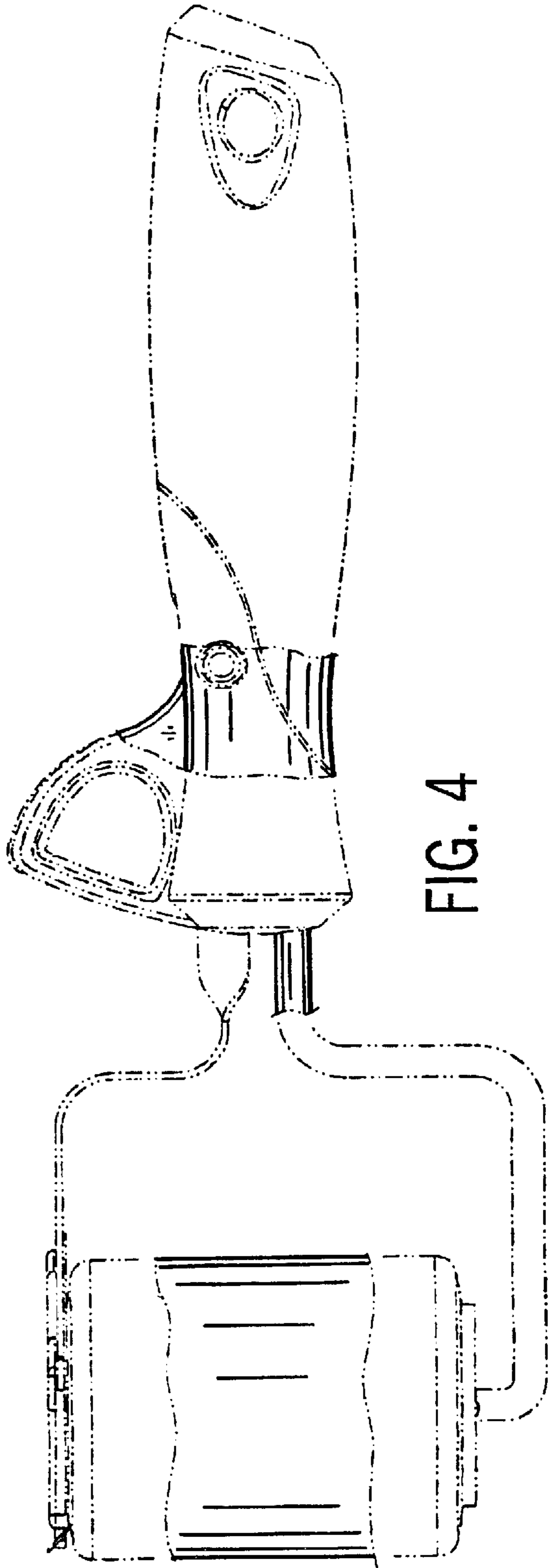


FIG. 4

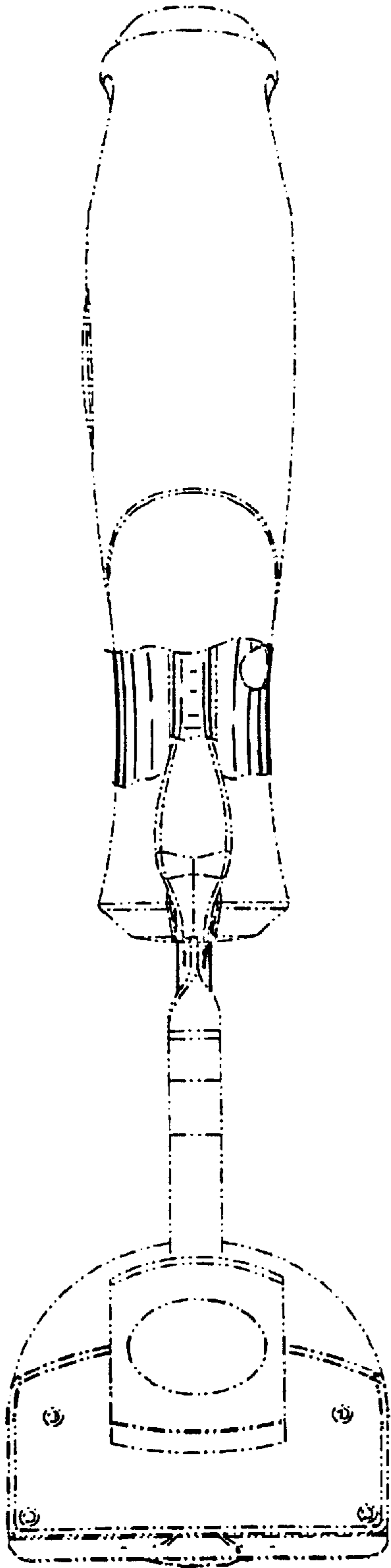


FIG. 5

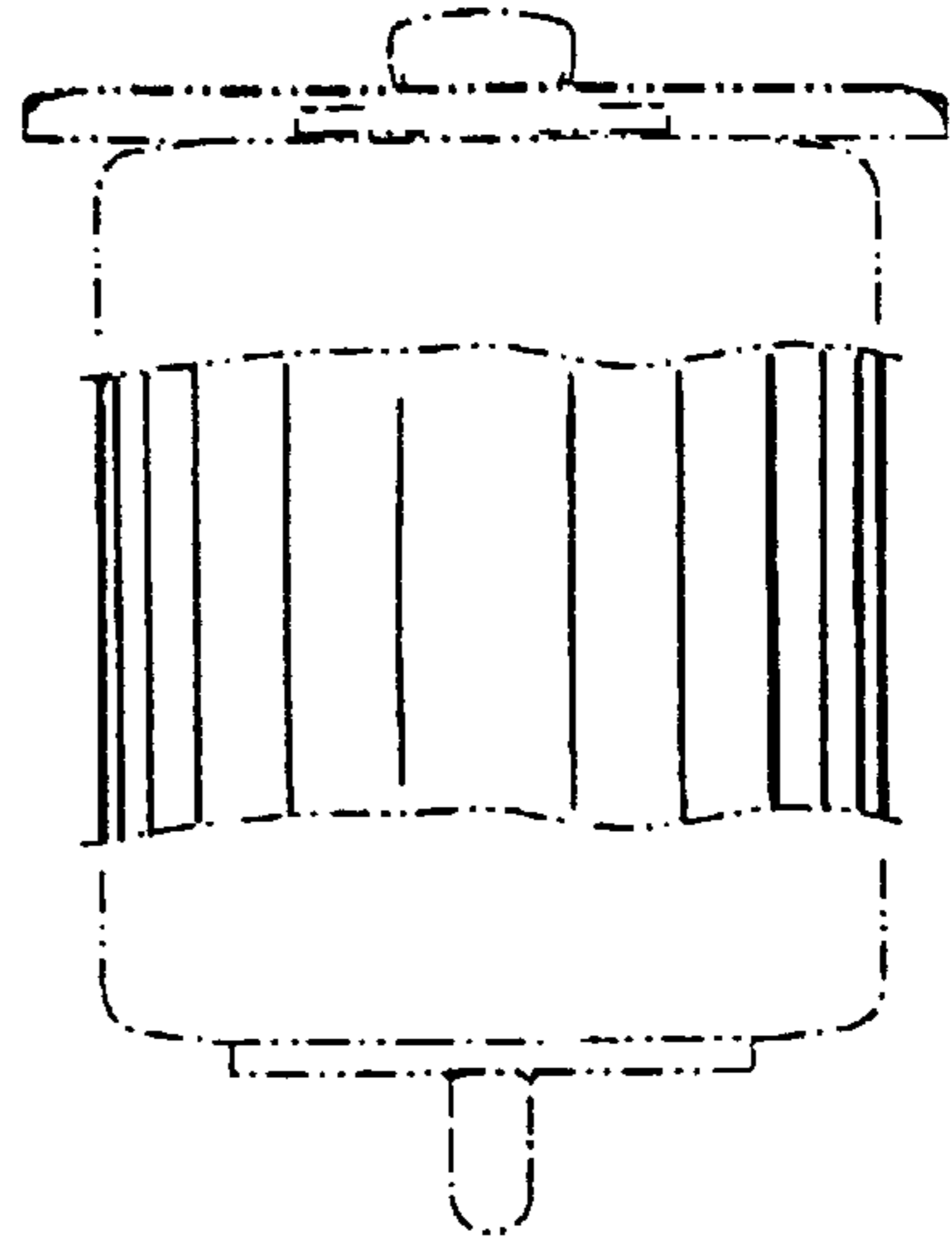


FIG. 7

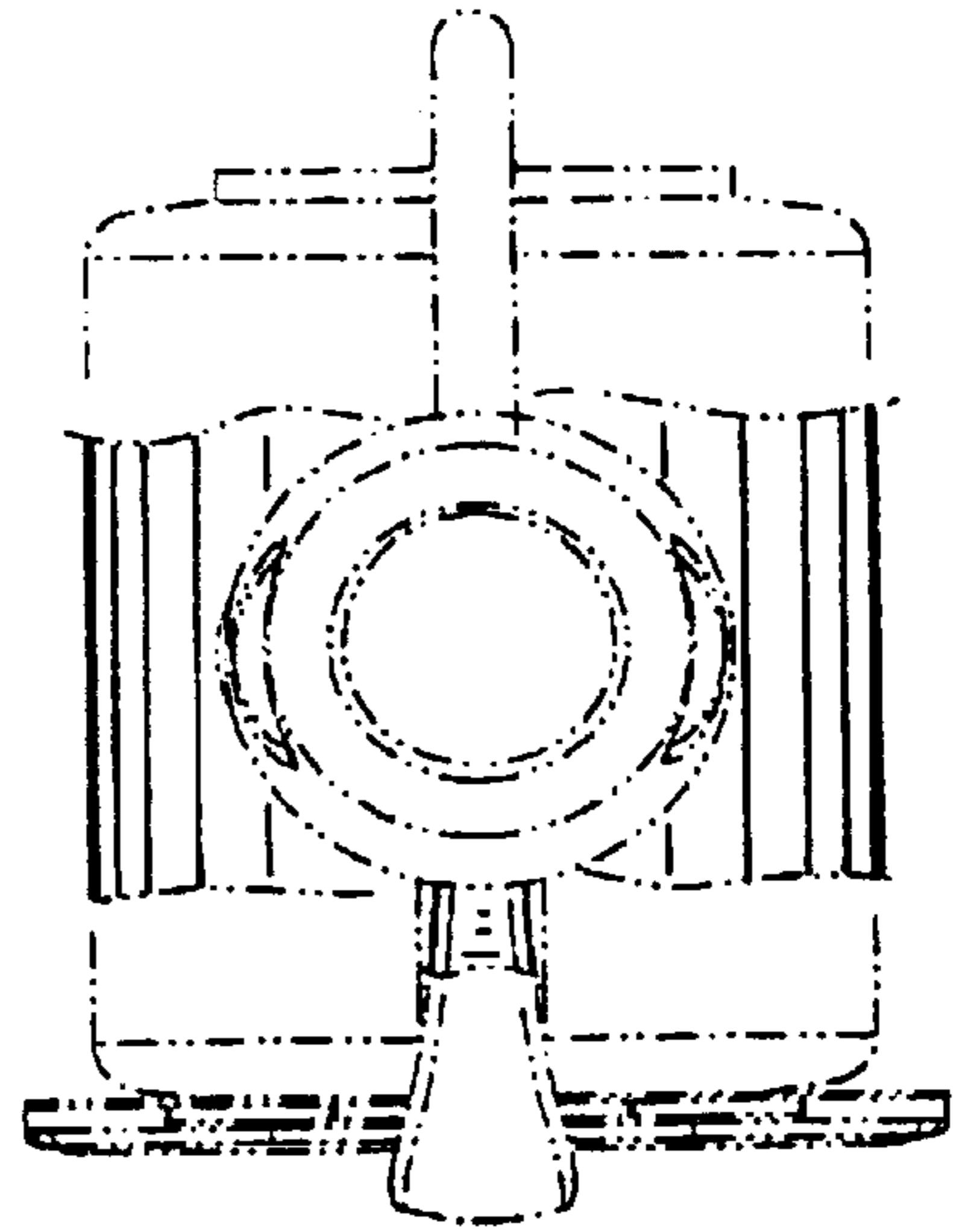


FIG. 6

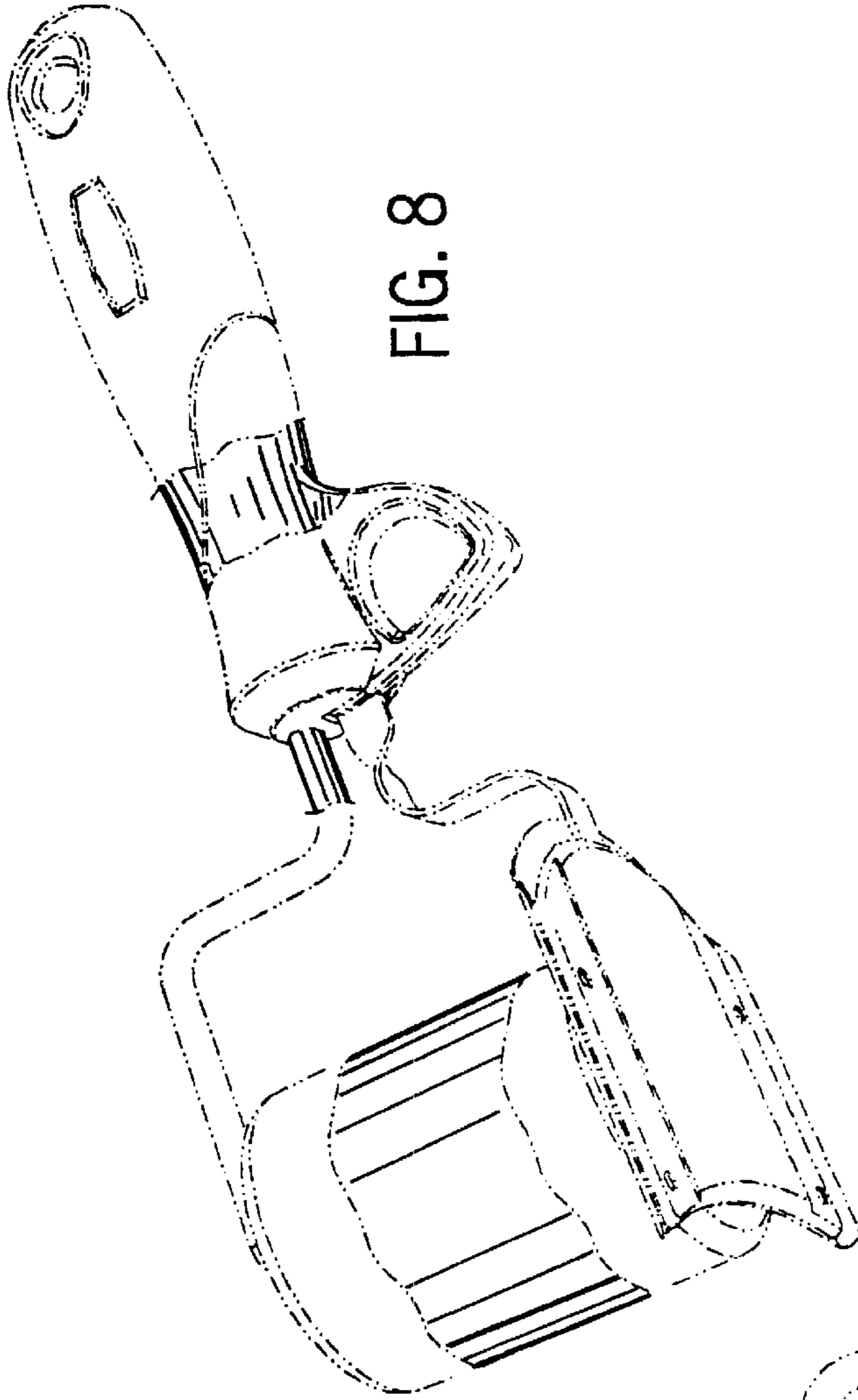


FIG. 8

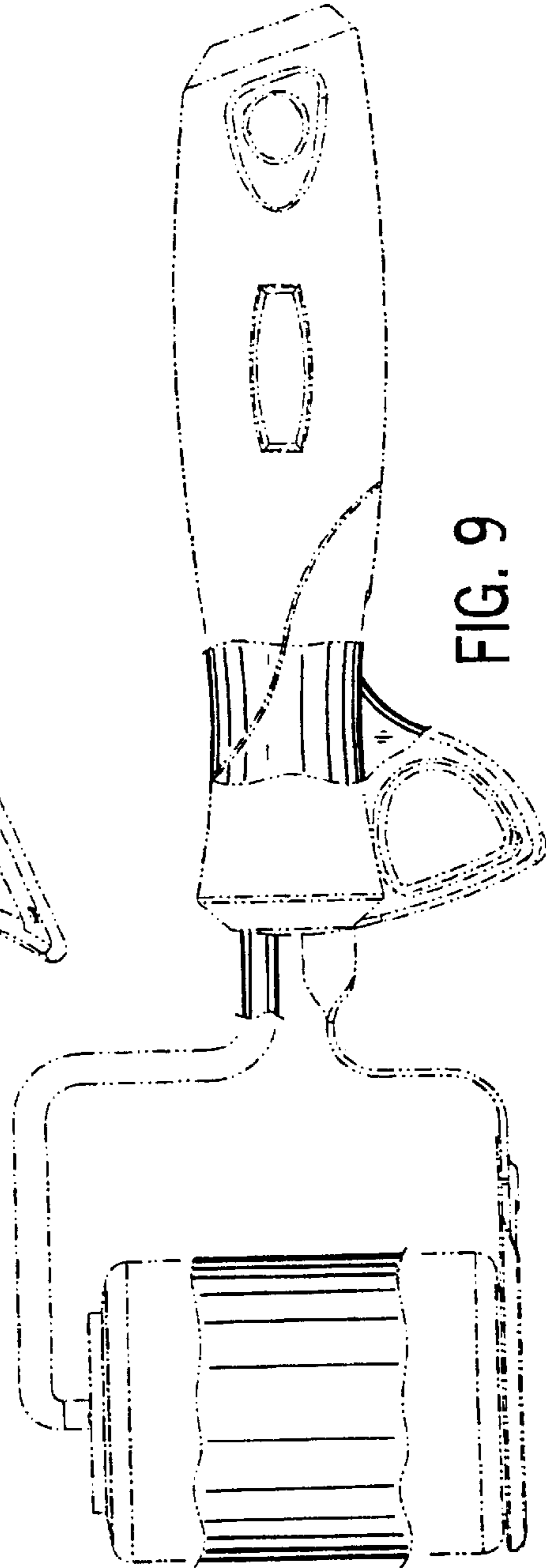
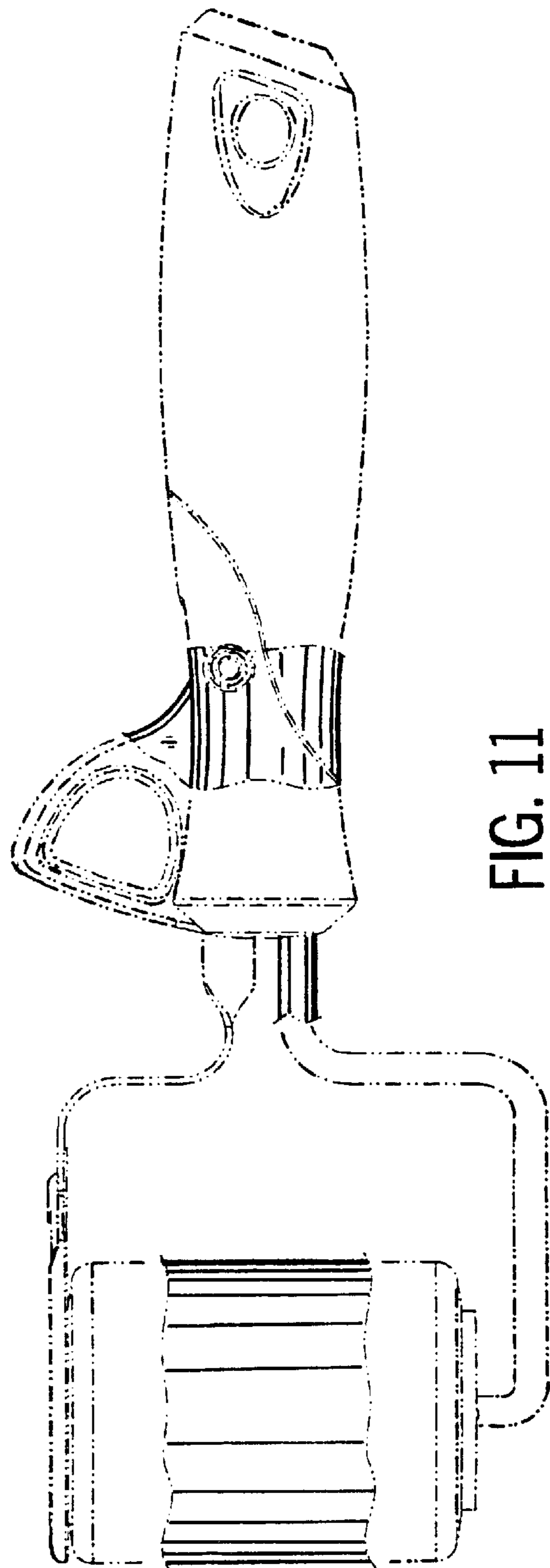
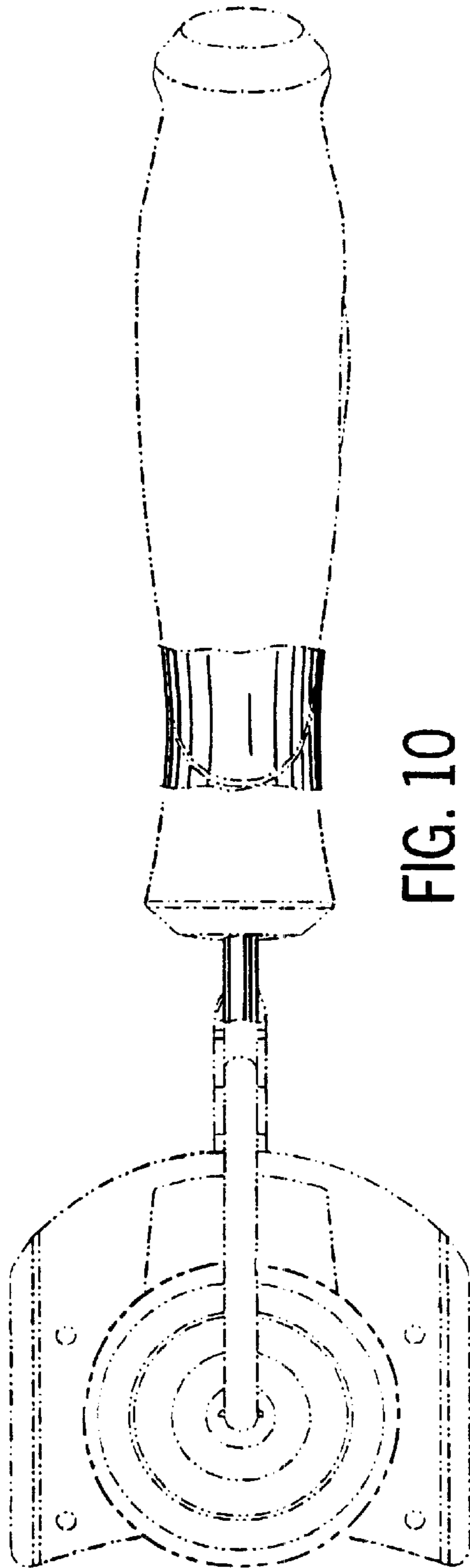


FIG. 9





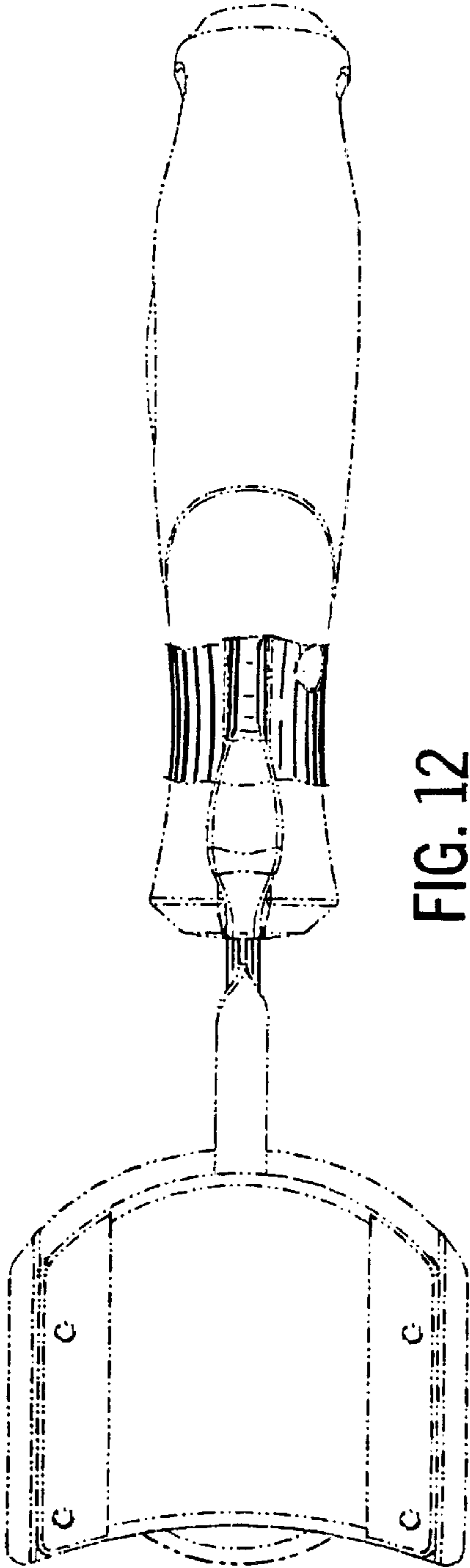


FIG. 12

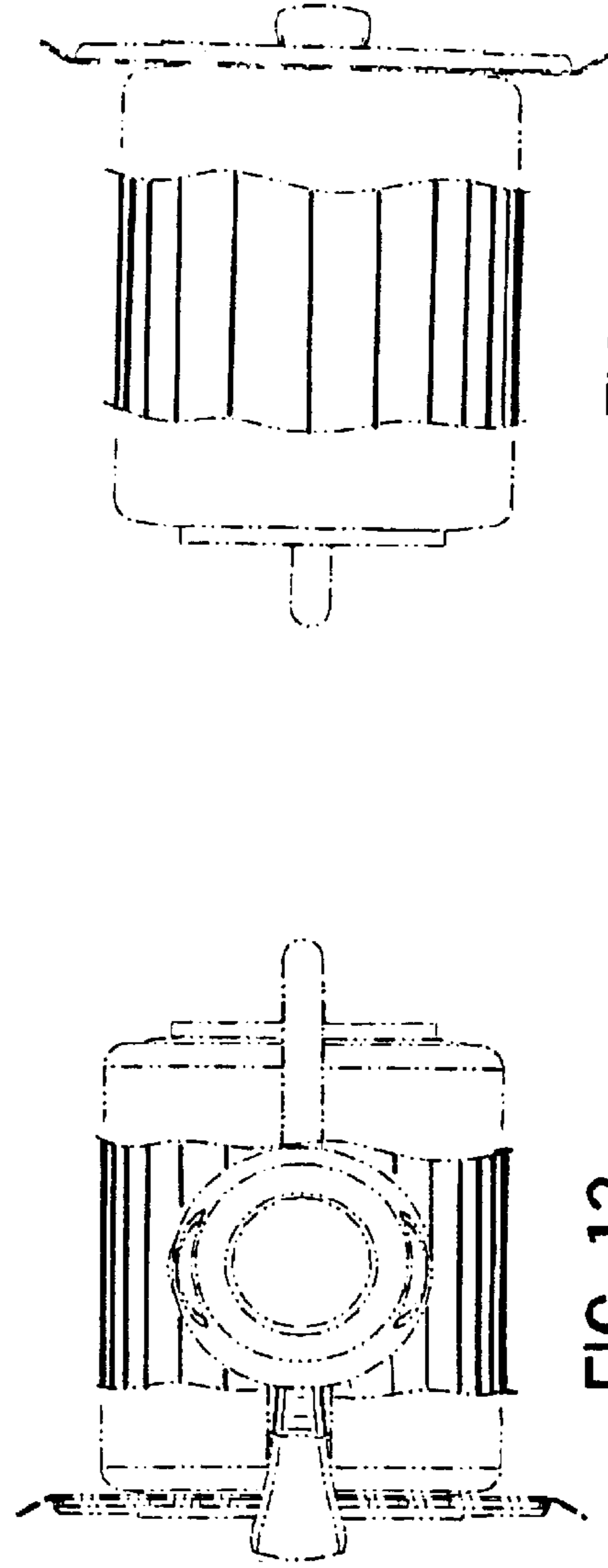


FIG. 13

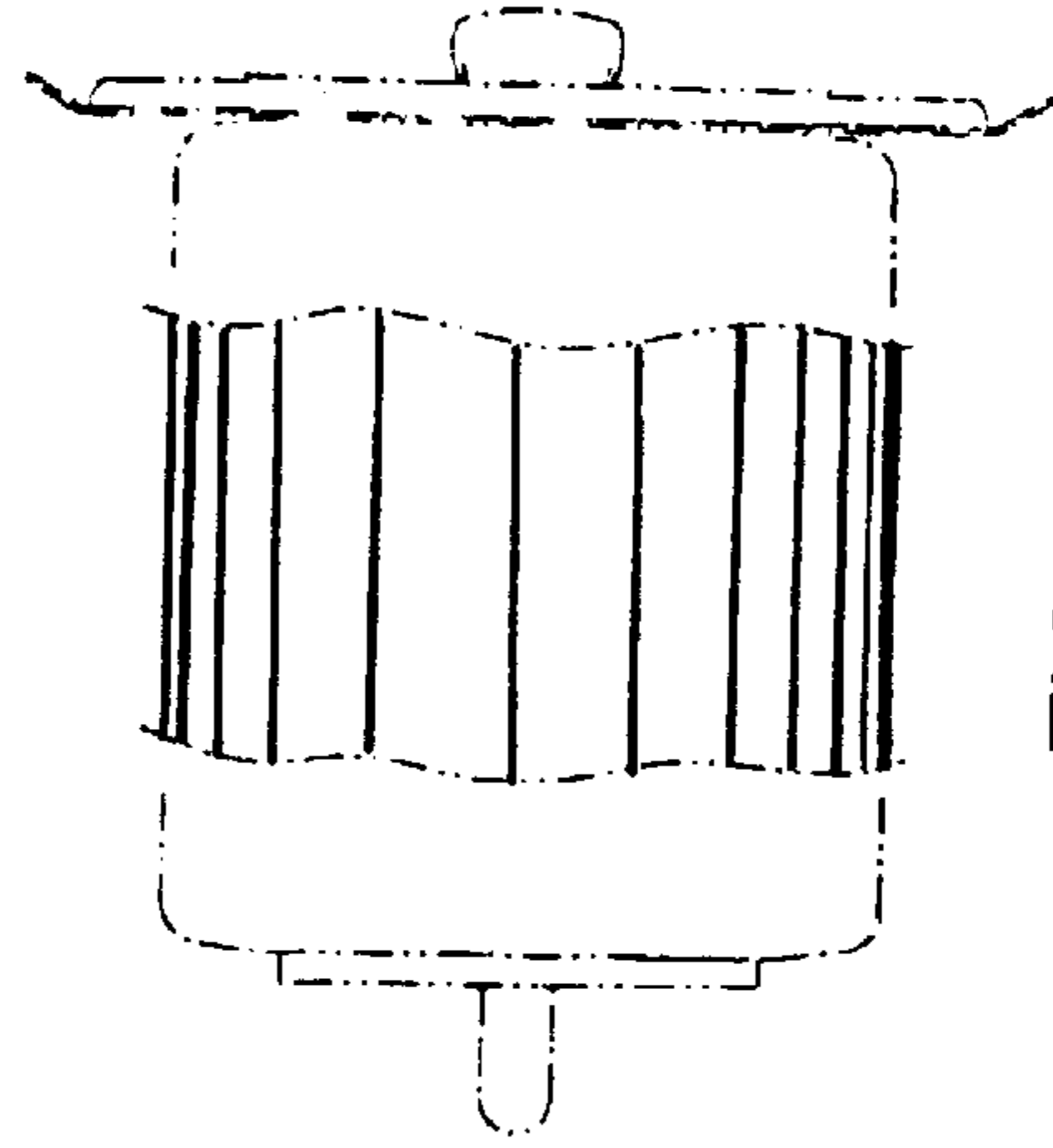


FIG. 14