



US00D473054S

(12) **United States Design Patent**
Roehrig

(10) **Patent No.:** **US D473,054 S**

(45) **Date of Patent:** **** Apr. 15, 2003**

(54) **CONTAINER FOR A PACIFIER**

D364,563 S * 11/1995 Miller et al. D9/423
D460,690 S * 7/2002 Doerschlag D9/423

(75) Inventor: **Peter Roehrig**, Vienna (AT)

* cited by examiner

(73) Assignee: **Mam Babyartikel Gesellschaft**, Vienna (AT)

Primary Examiner—Lucy Lieberman
(74) *Attorney, Agent, or Firm*—Abelman, Frayne, & Schwab

(**) Term: **14 Years**

(21) Appl. No.: **29/141,980**

(22) Filed: **May 16, 2001**

(30) **Foreign Application Priority Data**

Nov. 23, 2000 (AT) MU 4592/2000

(51) **LOC (7) Cl.** **03-01**

(52) **U.S. Cl.** **D3/295; D3/294; D3/203; D9/347; D9/420**

(58) **Field of Search** D3/294, 295, 273, D3/203, 205, 263; D9/341, 347, 423, 418, 420, 424, 345; 220/553, 555; 206/438, 63.5

(56) **References Cited**

U.S. PATENT DOCUMENTS

- D159,157 S * 6/1950 Koester D9/341
- D256,994 S * 9/1980 MacGregor D9/347
- D281,398 S * 11/1985 Kesselring D9/341
- D287,336 S * 12/1986 Roehrig D9/341
- D302,209 S * 7/1989 Roehrig D3/294
- D306,182 S * 2/1990 Ukisu D3/295
- D308,331 S * 6/1990 Slavin et al. D9/341
- D327,220 S * 6/1992 Proffitt et al. D9/423
- D332,917 S * 2/1993 McDevitt et al. D9/423
- D339,423 S * 9/1993 Rohrig D24/193

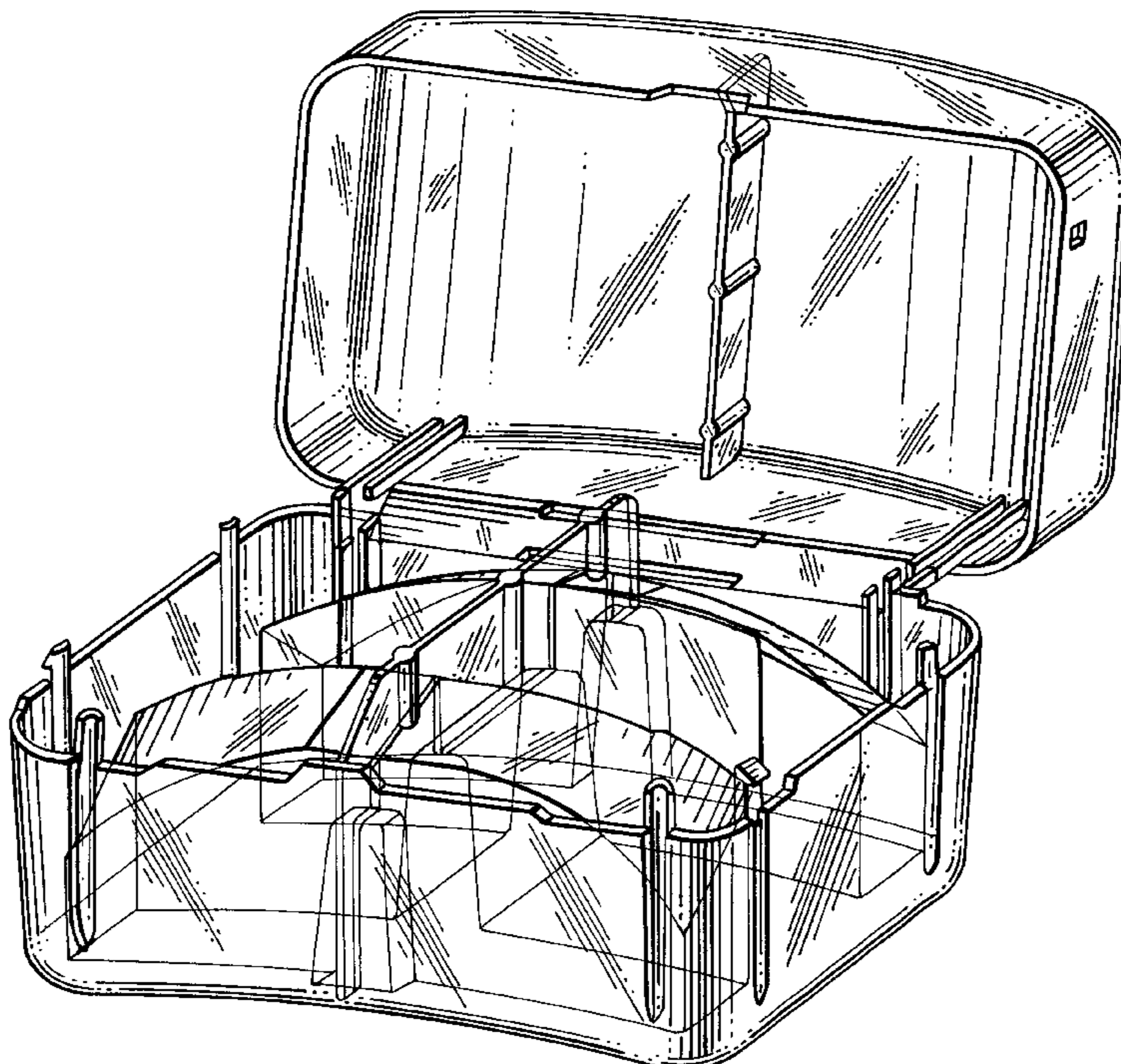
(57) **CLAIM**

The ornamental design for a container for a pacifier, as shown and described.

DESCRIPTION

FIG. 1 is a top plan view of a container for a pacifier, in a fully opened position, showing my new design;
 FIG. 2 is a bottom plan view thereof;
 FIG. 3 is a left side view thereof;
 FIG. 4 is a right side view thereof;
 FIG. 5 is a front view thereof;
 FIG. 6 is a rear view thereof;
 FIG. 7 is a perspective view thereof, in a partially opened position;
 FIG. 8 is a top plan view of the design in a closed position;
 FIG. 9 is a bottom plan view thereof;
 FIG. 10 is a left side view thereof;
 FIG. 11 is a right side view thereof;
 FIG. 12 is a front view thereof;
 FIG. 13 is a rear view thereof;
 FIG. 14 is a perspective view thereof;
 FIG. 15 is a cross-sectional view taken through line 15—15 of FIG. 14; and,
 FIG. 16 is a cross-sectional view taken through line 16—16 of FIG. 14.

1 Claim, 16 Drawing Sheets



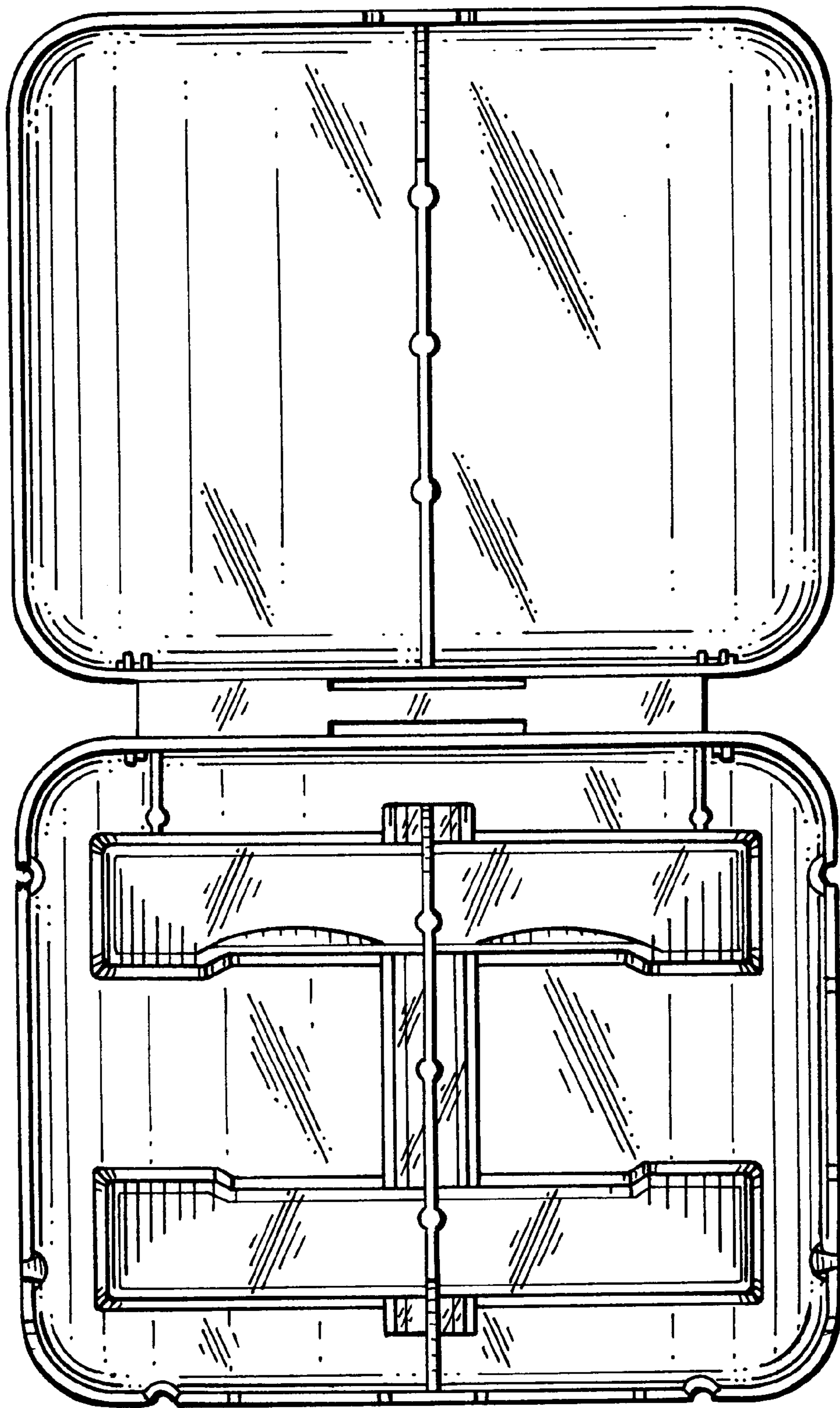


FIG. 1

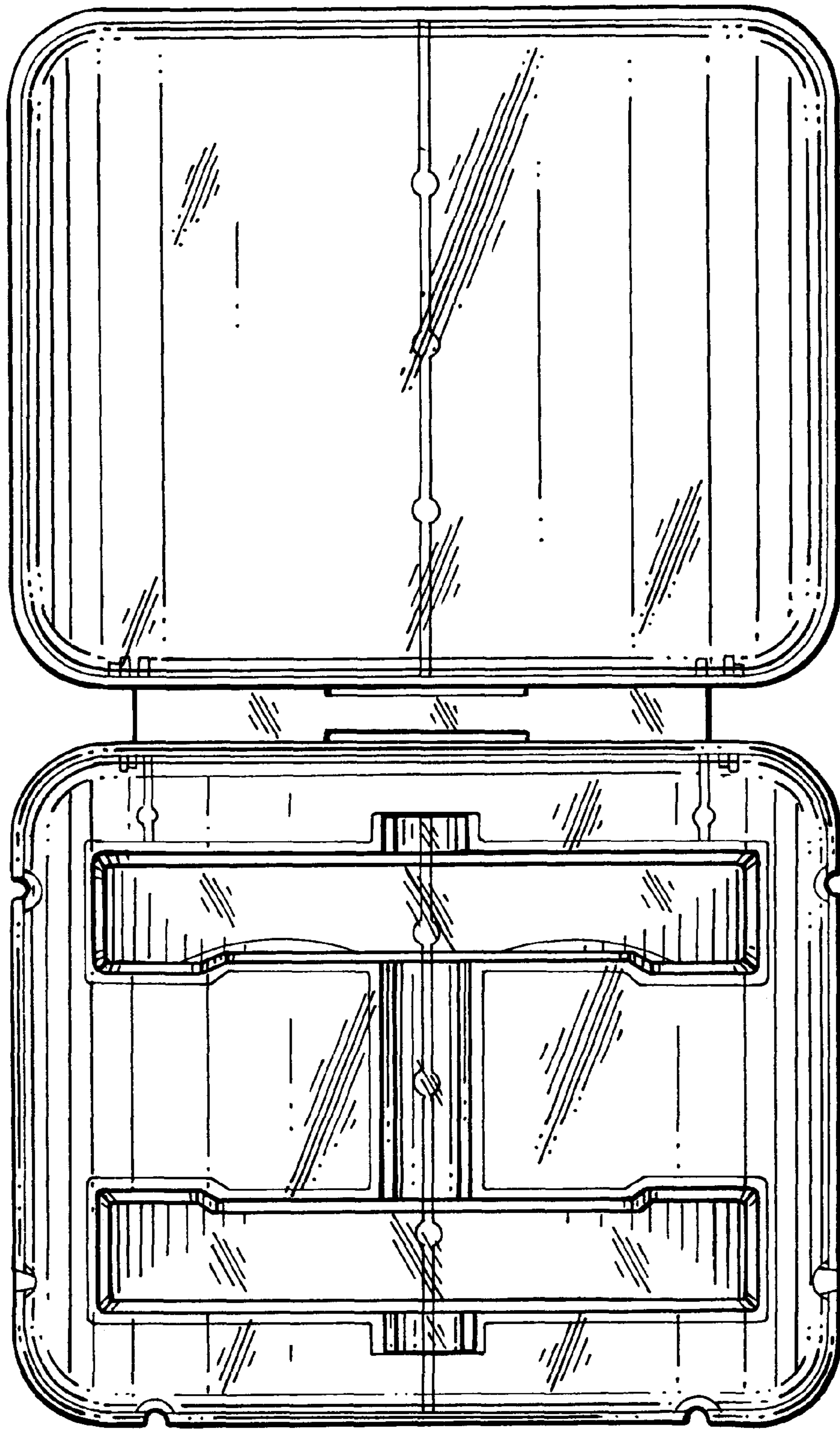


FIG. 2

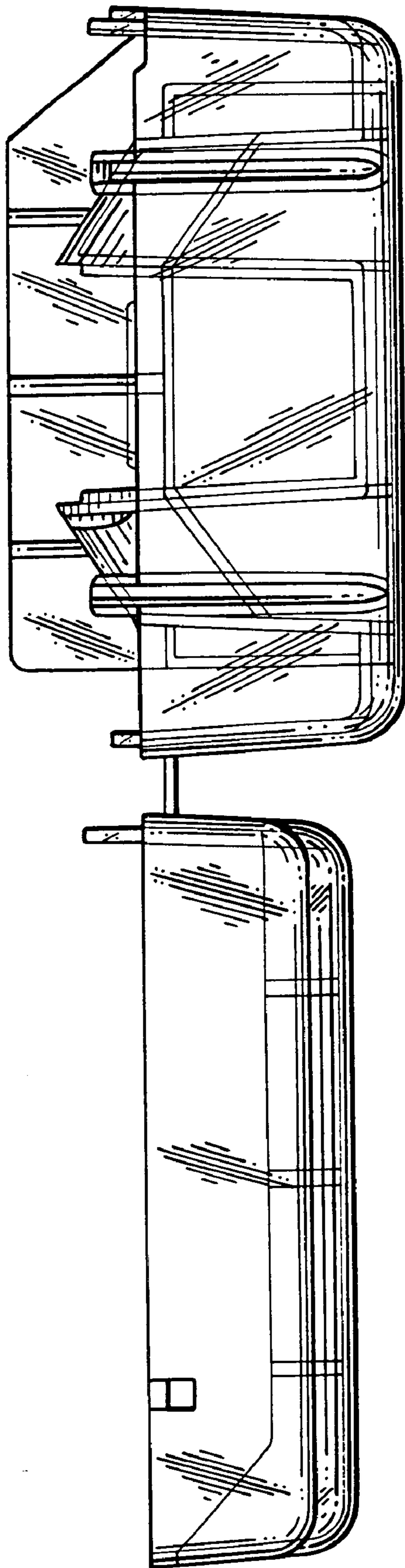


FIG. 3

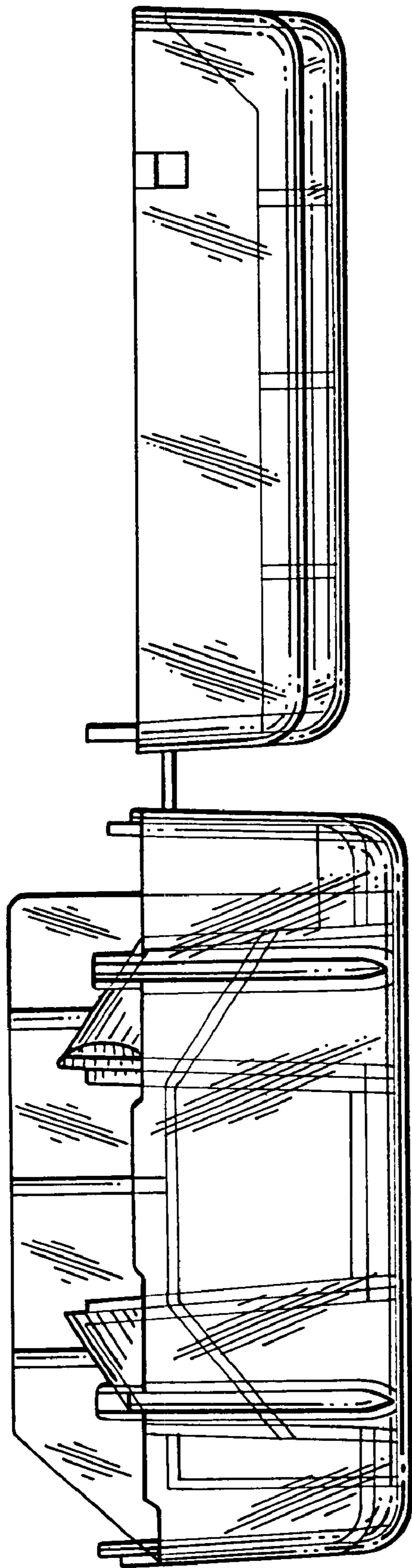


FIG. 4

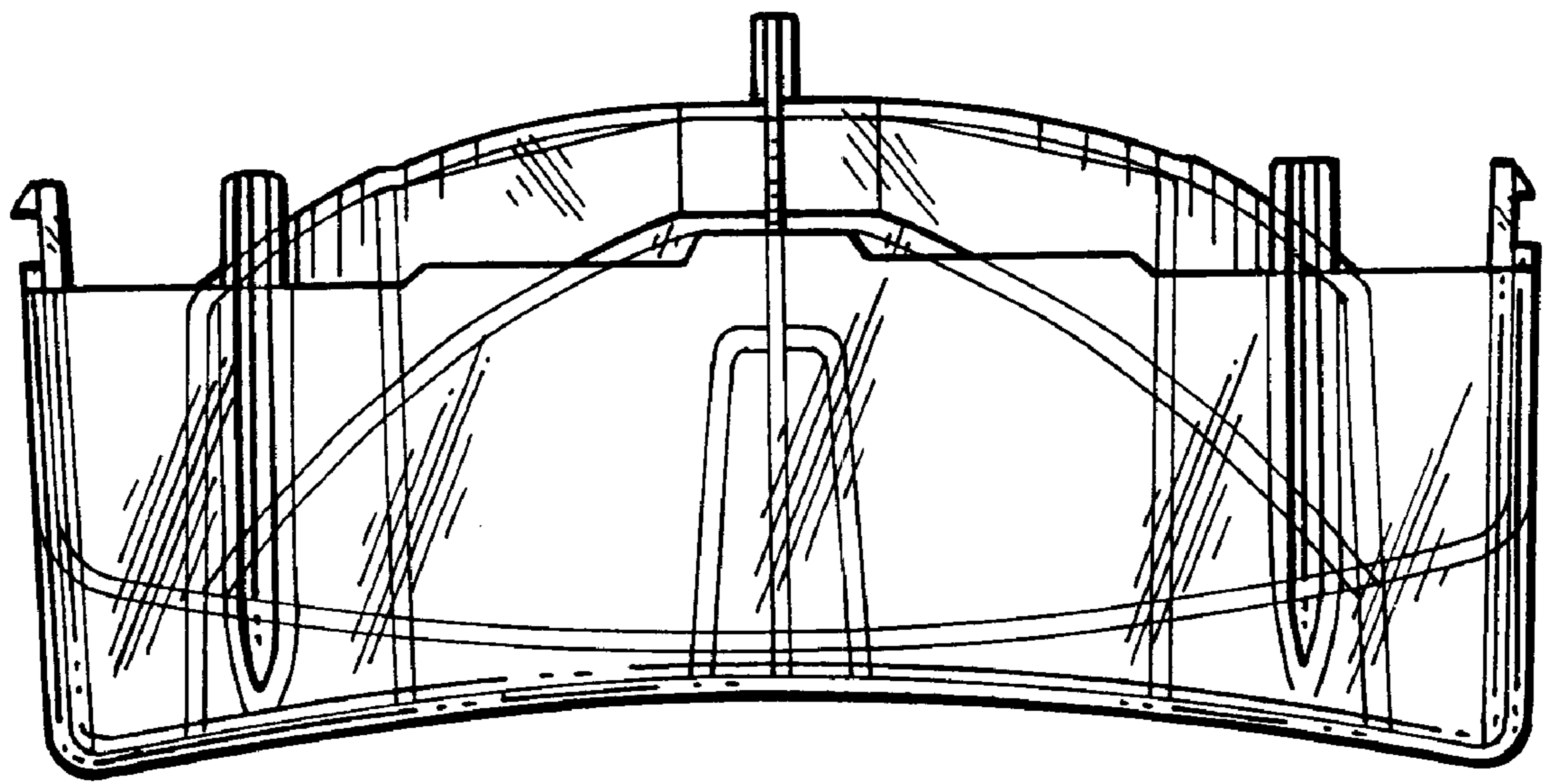


FIG. 5

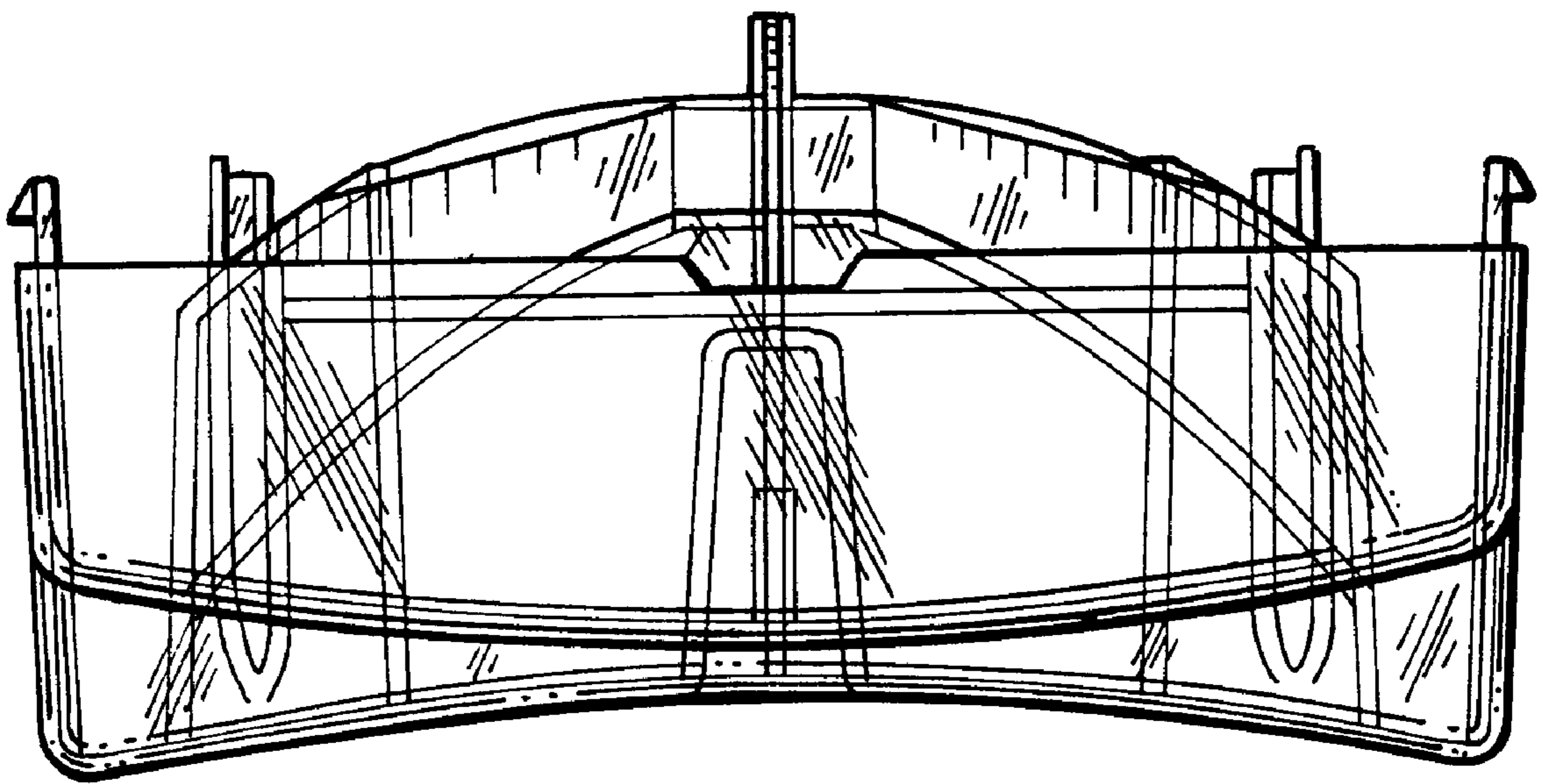


FIG. 6

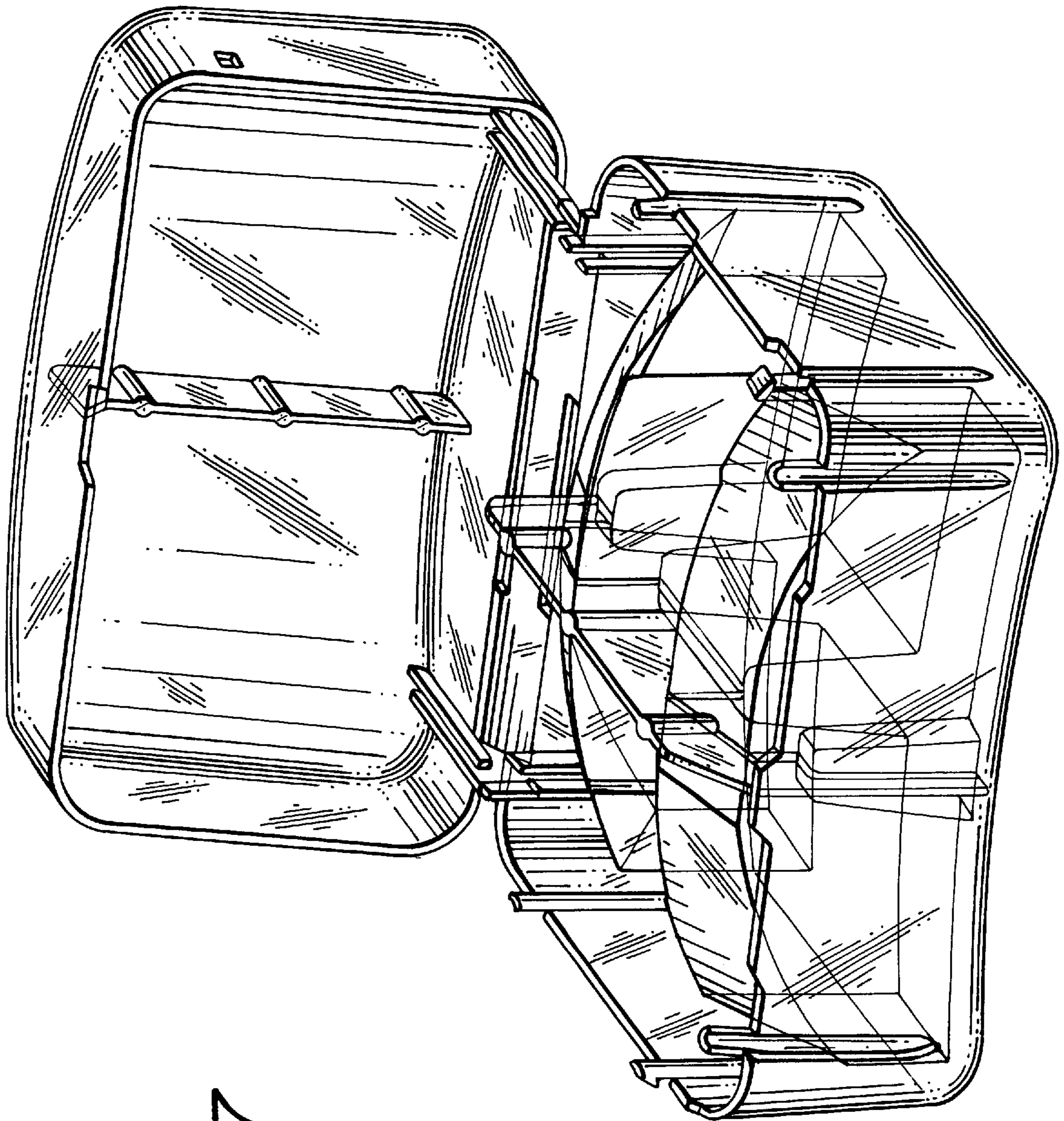


FIG. 7

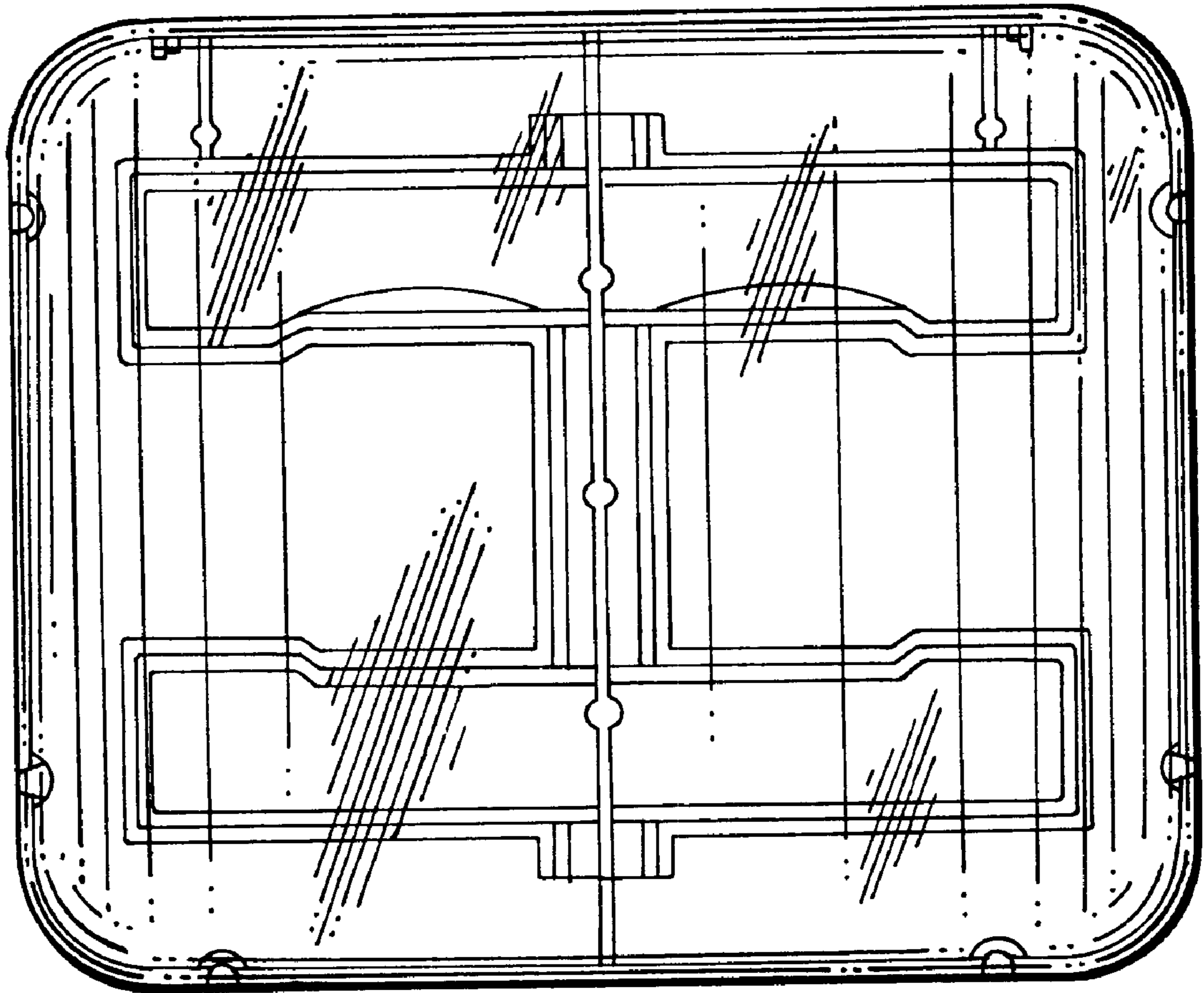


FIG. 8

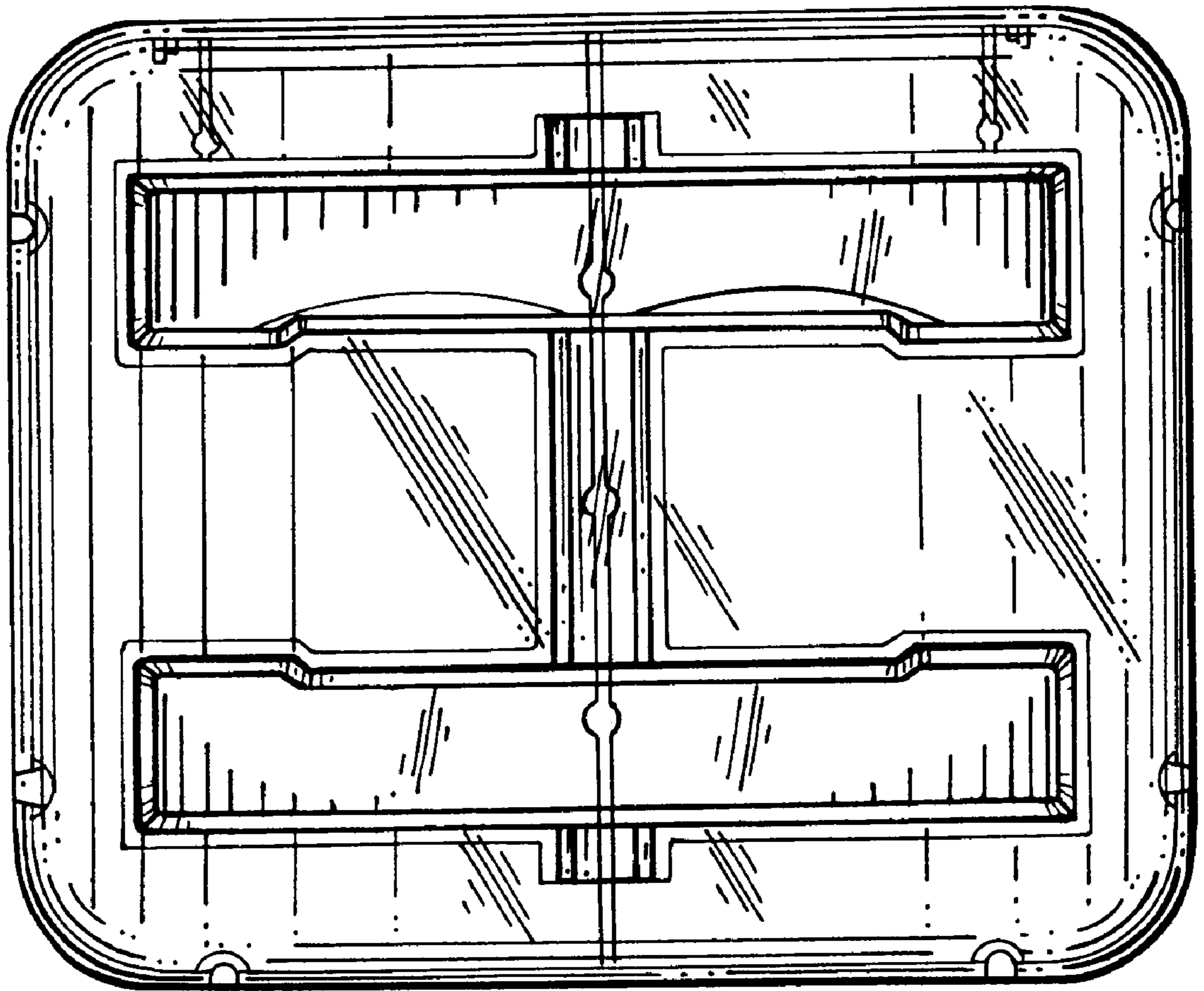


FIG. 9

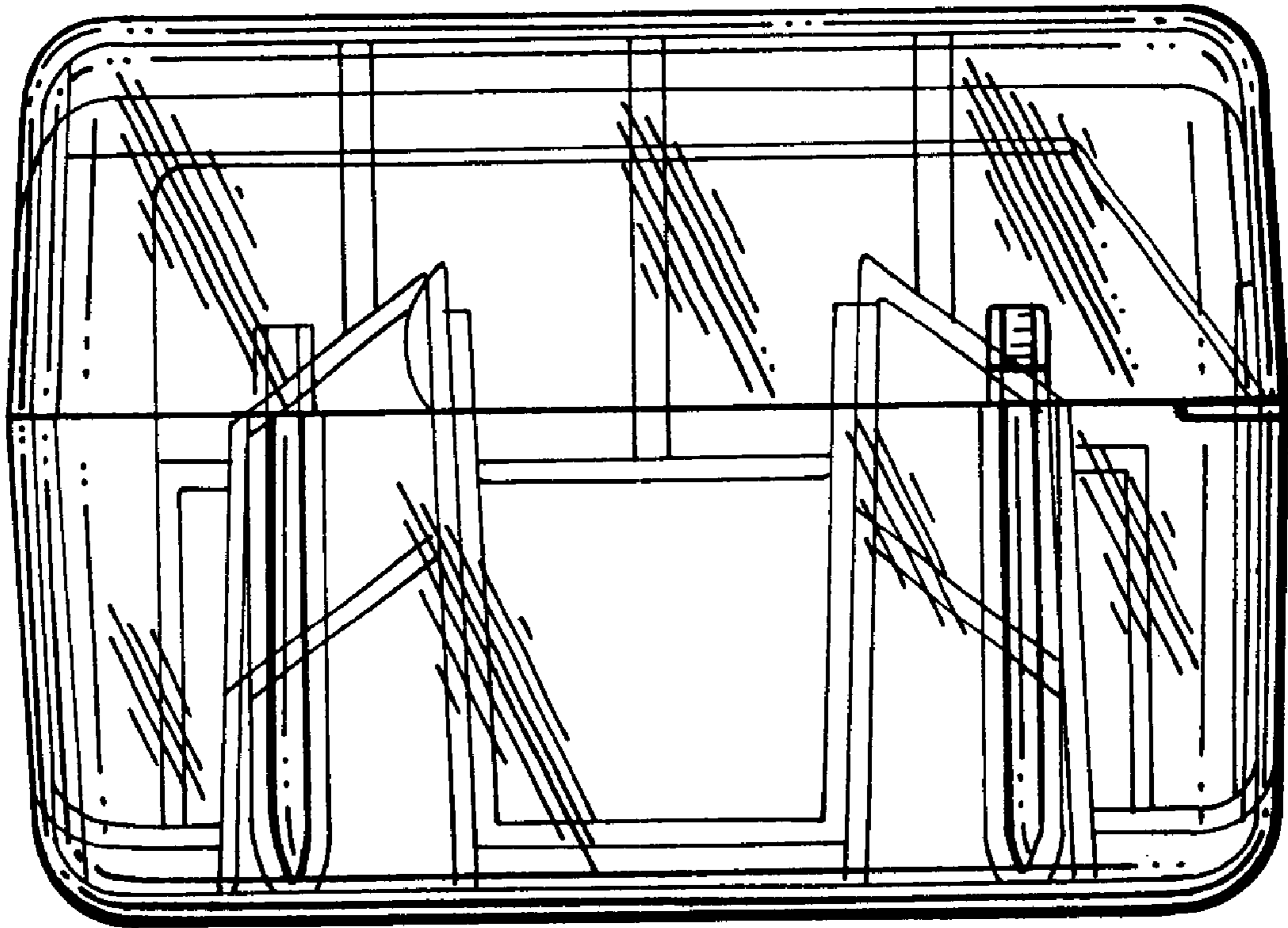


FIG. 10

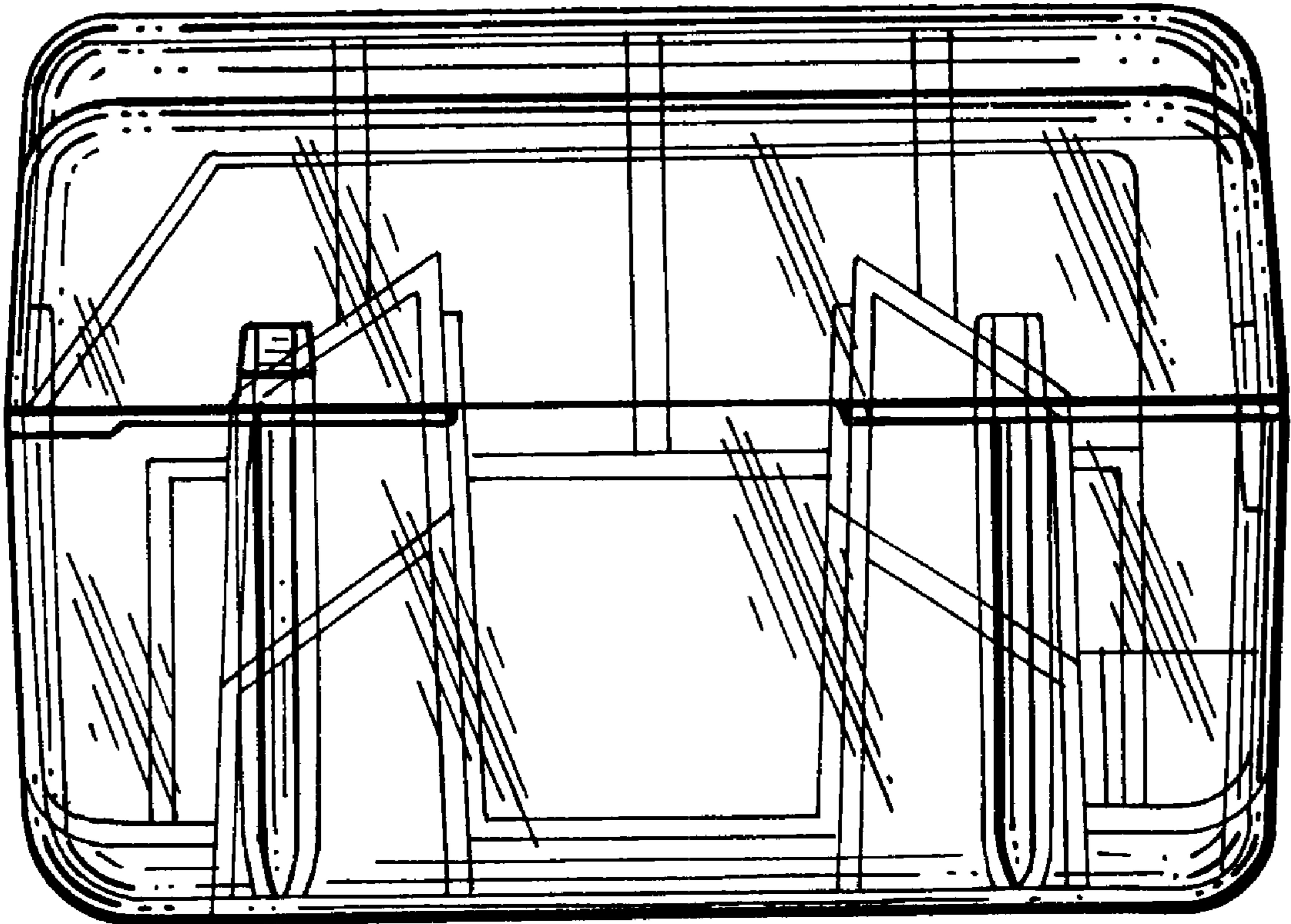


FIG. 11

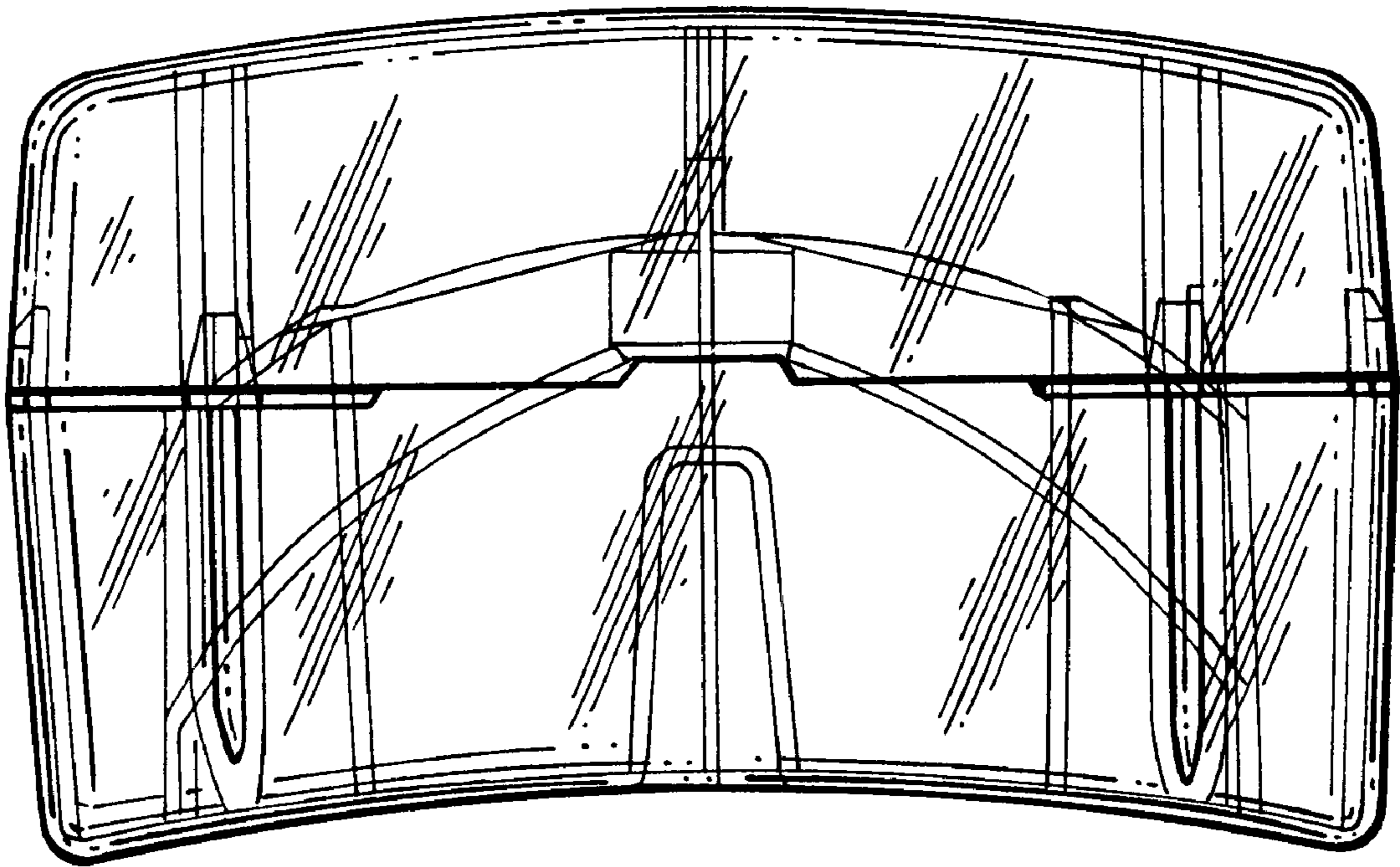


FIG. 12

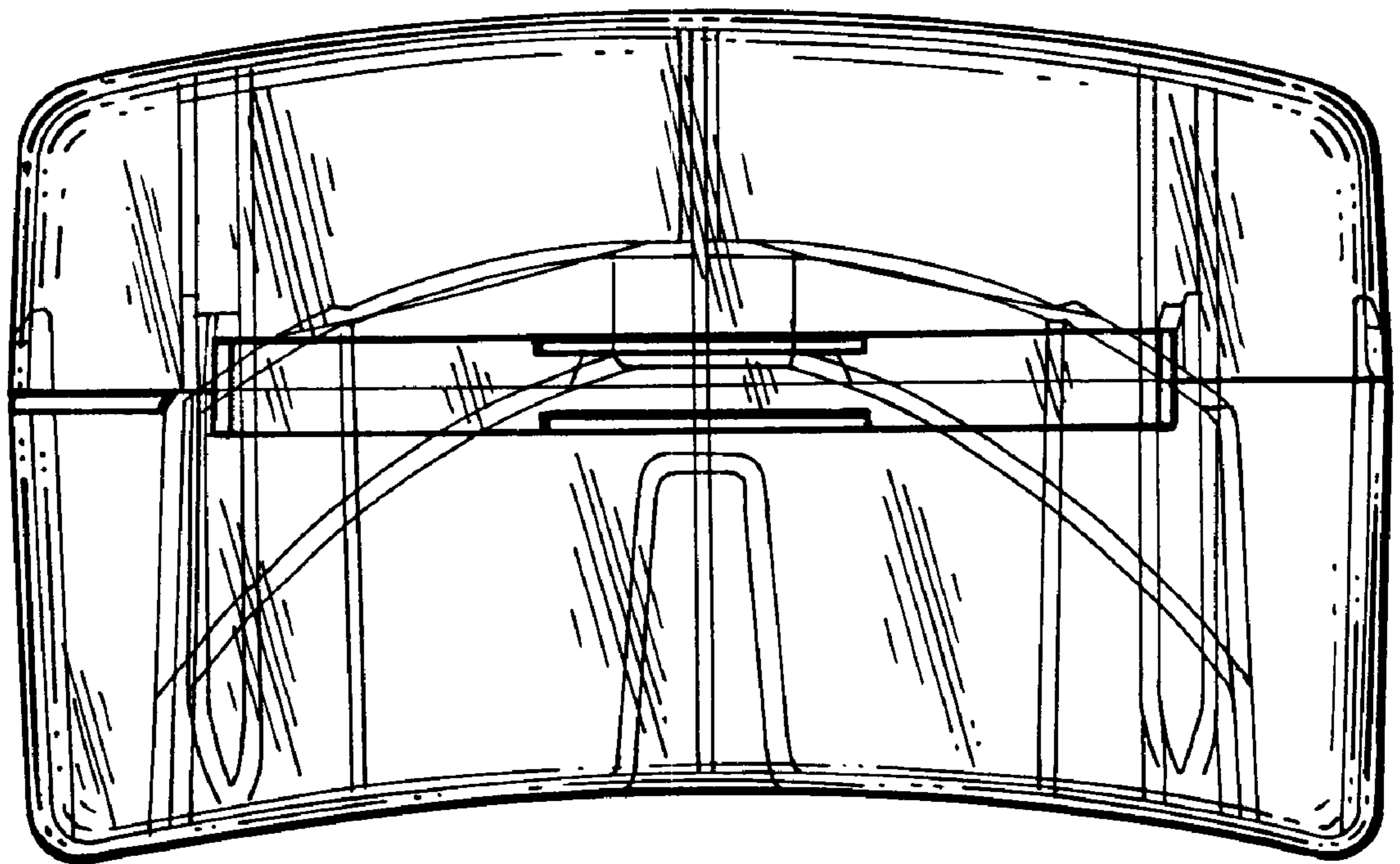


FIG. 13

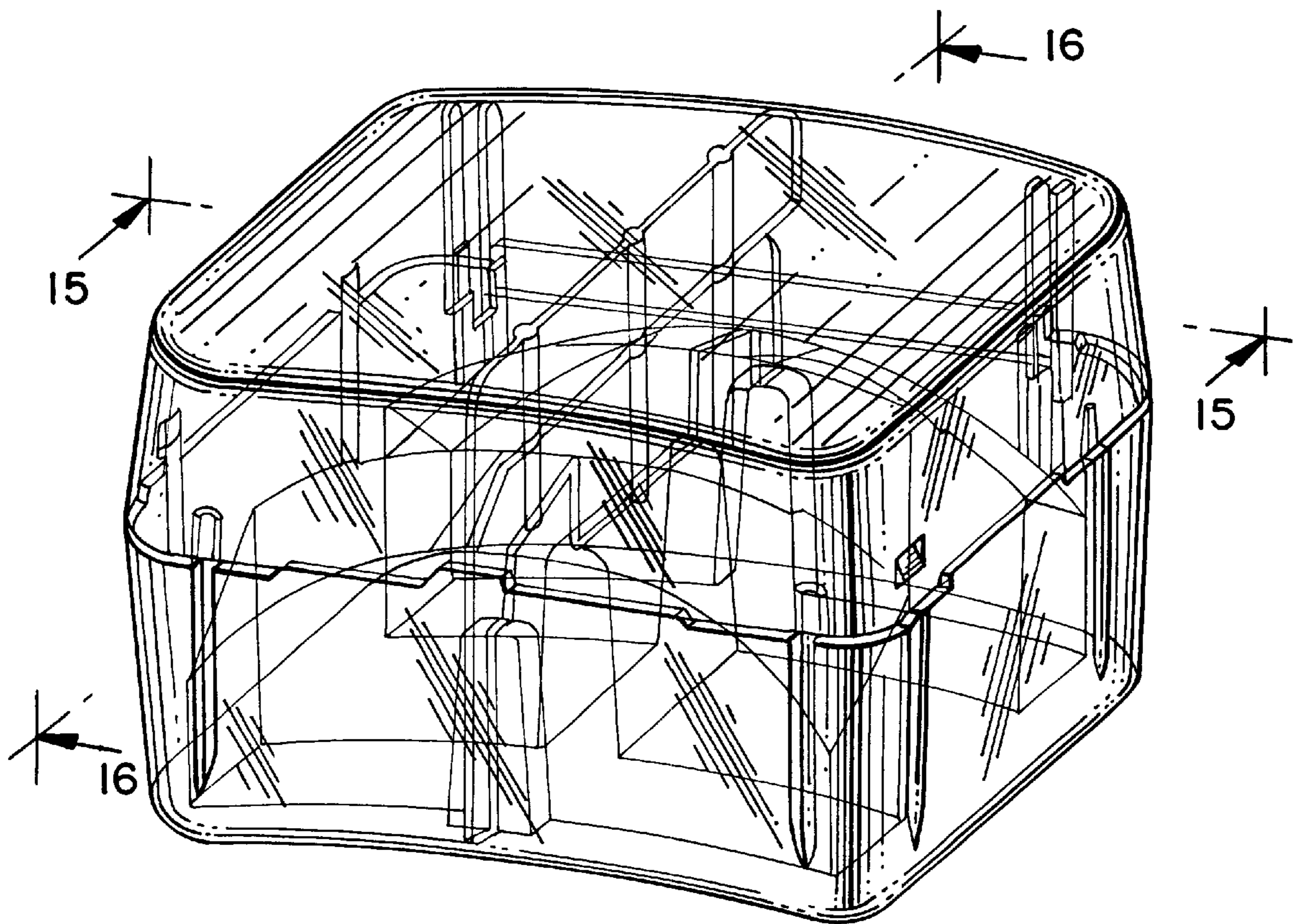


FIG. 14

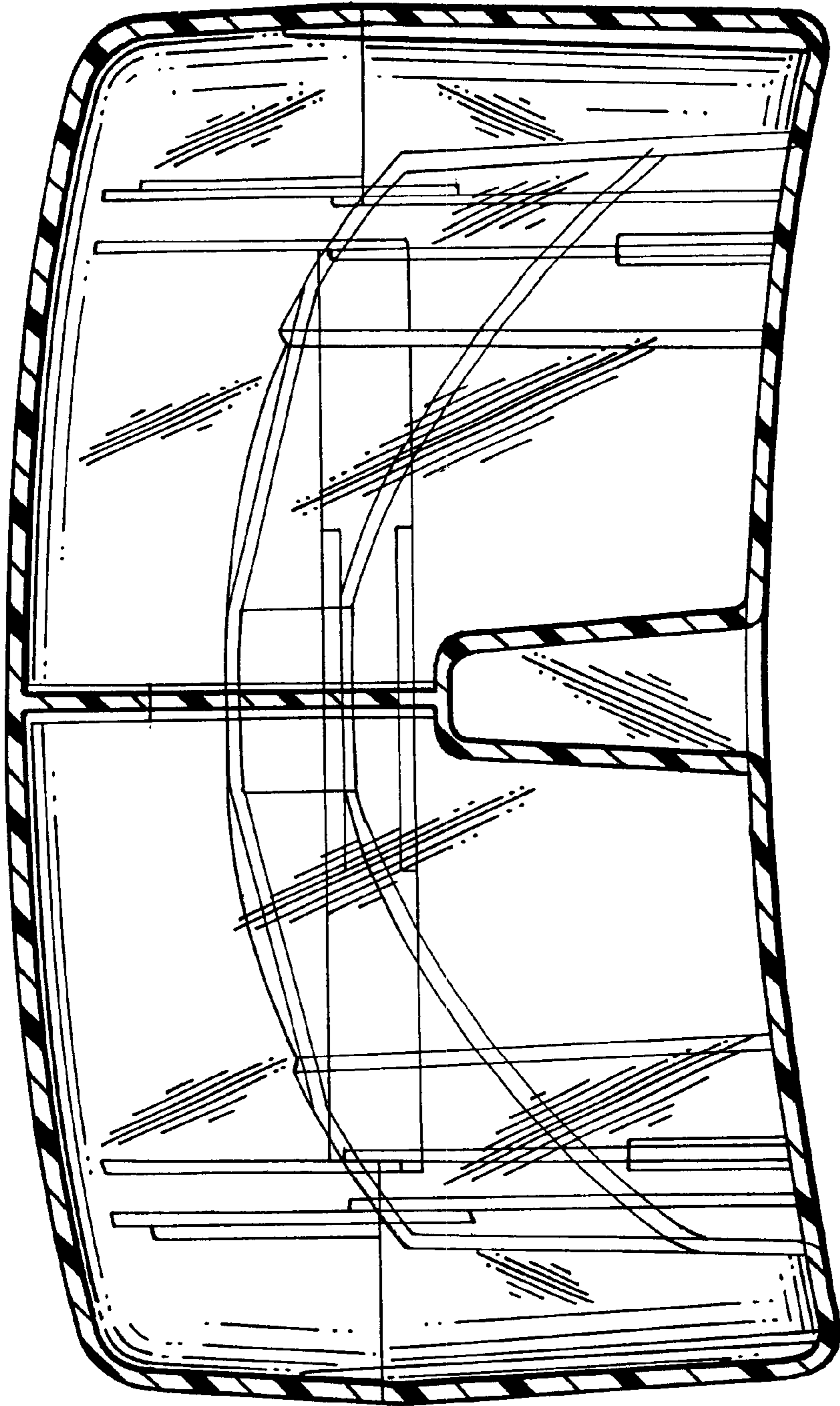


FIG. 15

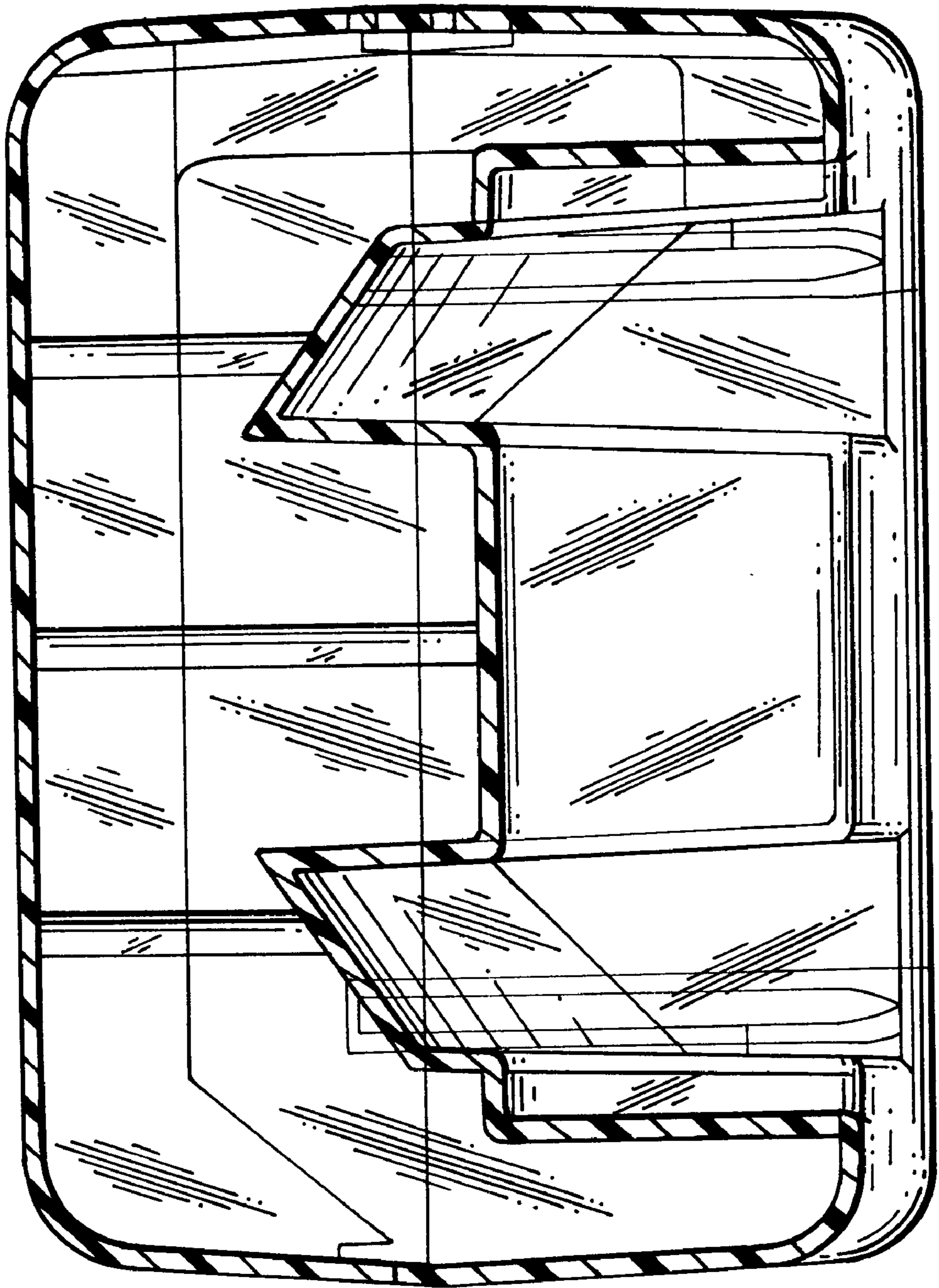


FIG. 16