



US00D473053S

(12) **United States Design Patent**
Spitler

(10) **Patent No.:** **US D473,053 S**

(45) **Date of Patent:** **** Apr. 15, 2003**

(54) **CHEST**

(76) **Inventor:** **Michael L. Spitler**, 292 Oak Ridge Dr.,
Lake Ozark, MO (US) 65049

(**) **Term:** **14 Years**

(21) **Appl. No.:** **29/158,507**

(22) **Filed:** **Apr. 4, 2002**

(51) **LOC (7) Cl.** **03-01**

(52) **U.S. Cl.** **D3/273**

(58) **Field of Search** D3/272, 273, 276,
D3/274, 281, 282, 302, 294, 295; 190/19,
25; 52/79.1, 90.1; 206/349; D25/15, 16;
D6/432; 217/65

(56) **References Cited**

U.S. PATENT DOCUMENTS

D268,311 S	*	3/1983	De Persia	D6/433
D328,676 S	*	8/1992	Miller	D6/440
D334,662 S	*	4/1993	van Berne	D3/272
D354,518 S	*	1/1995	Dietterich et al.	D19/82
D421,181 S	*	2/2000	Tisbo et al.	D3/273
D429,418 S	*	8/2000	Tisbo et al.	D3/272
D444,626 S	*	7/2001	Anderson et al.	D3/273

* cited by examiner

Primary Examiner—Philip S. Hyder

(74) *Attorney, Agent, or Firm*—Senniger, Powers, Leavitt
& Roedel

(57) **CLAIM**

The ornamental design for a chest, as shown and described.

DESCRIPTION

FIG. 1 is a perspective view of a chest according to my new design;

FIG. 2 is a front elevational view thereof;

FIG. 3 is a rear elevational view thereof;

FIG. 4 is a right side elevational view thereof, the left side elevational view being a mirror image of the right side elevational view;

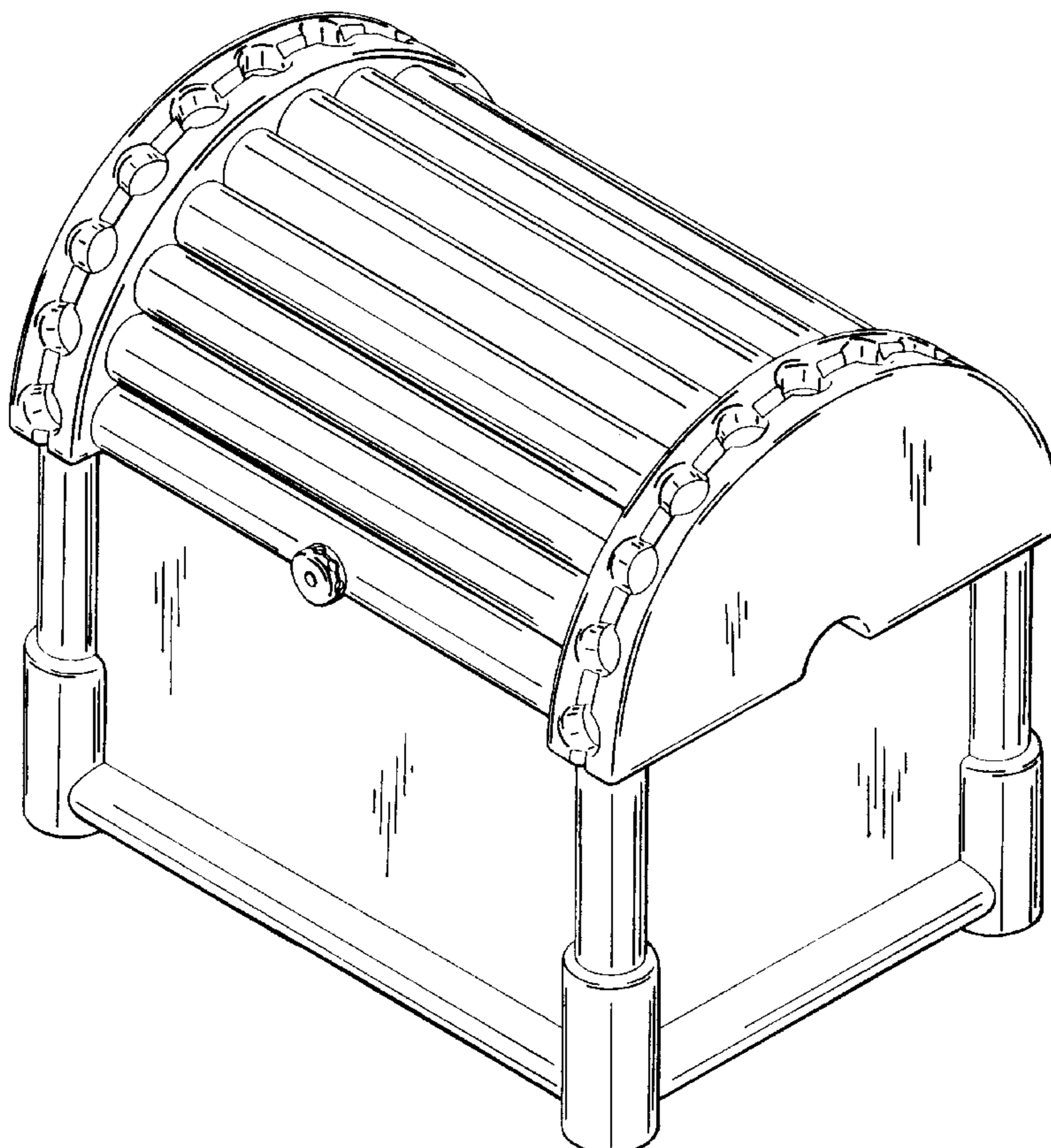
FIG. 5 is a top view thereof;

FIG. 6 is a bottom view thereof;

FIG. 7 is a perspective view of a second embodiment of the chest of my new design; and,

FIG. 8 is a front elevational view of the second embodiment, the rear elevational view, the right side and left side elevational views and the top and bottom views being identical to the respective views of the first embodiment.

1 Claim, 8 Drawing Sheets



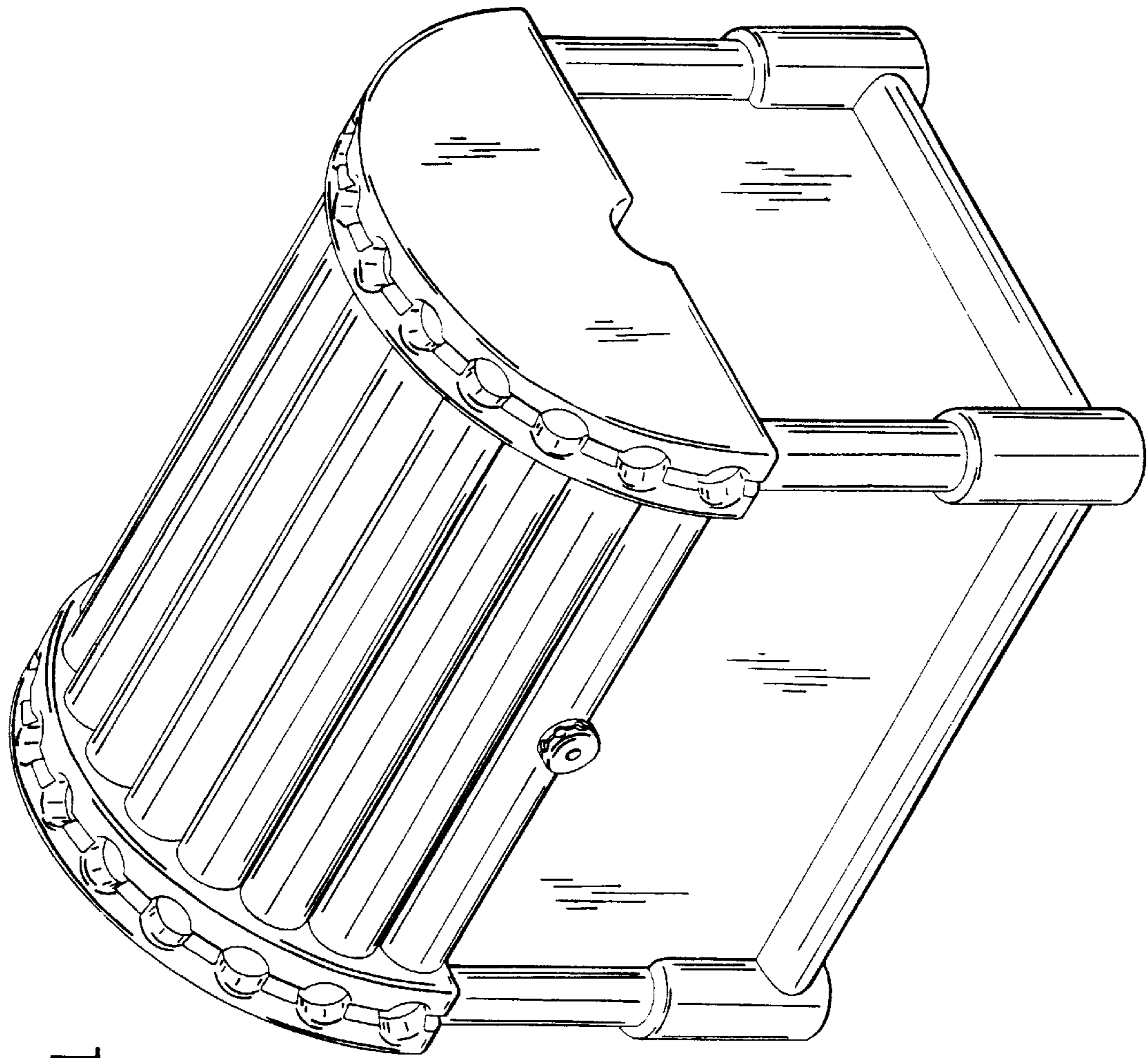


FIG. 1

FIG. 2

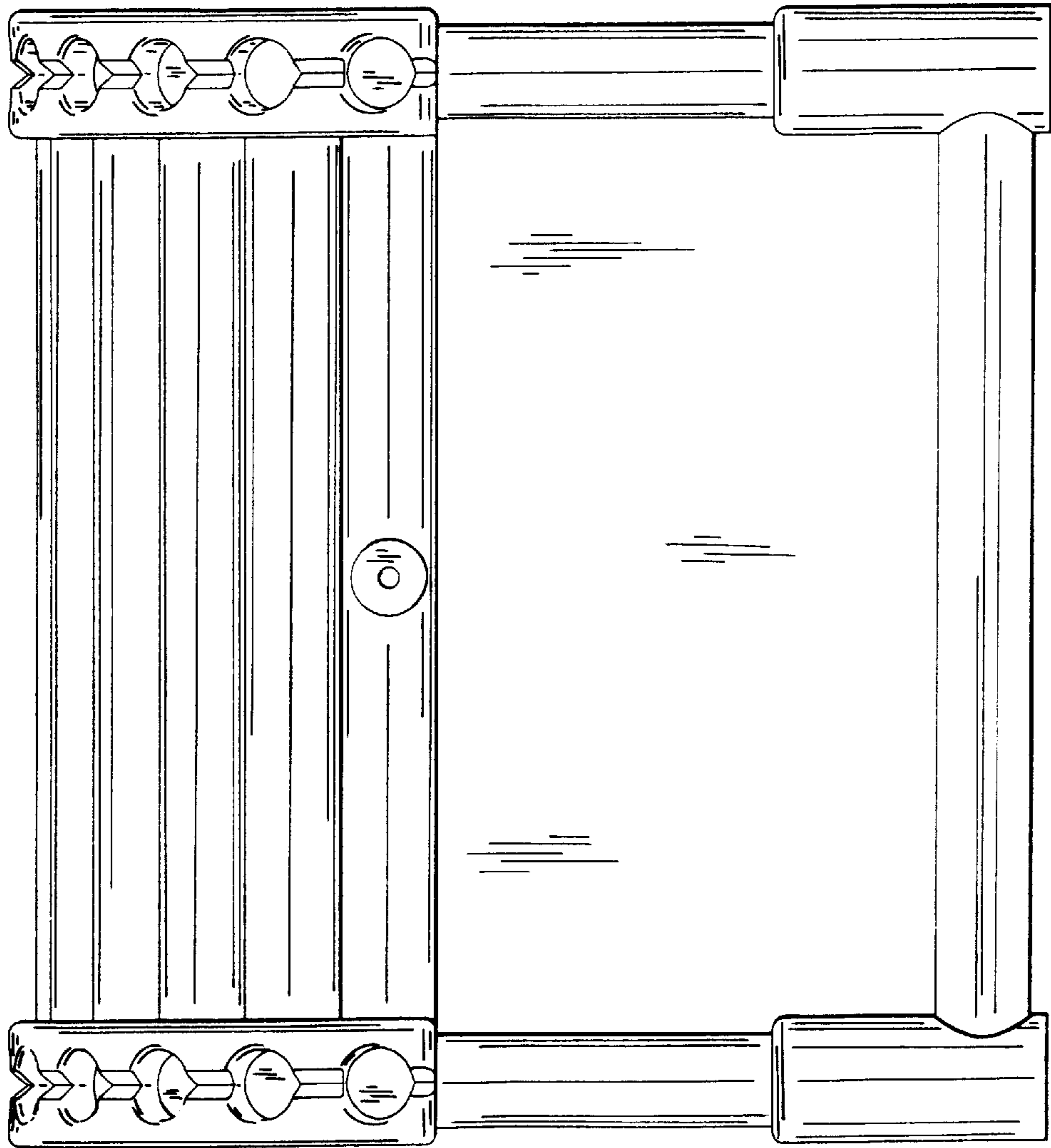


FIG. 3

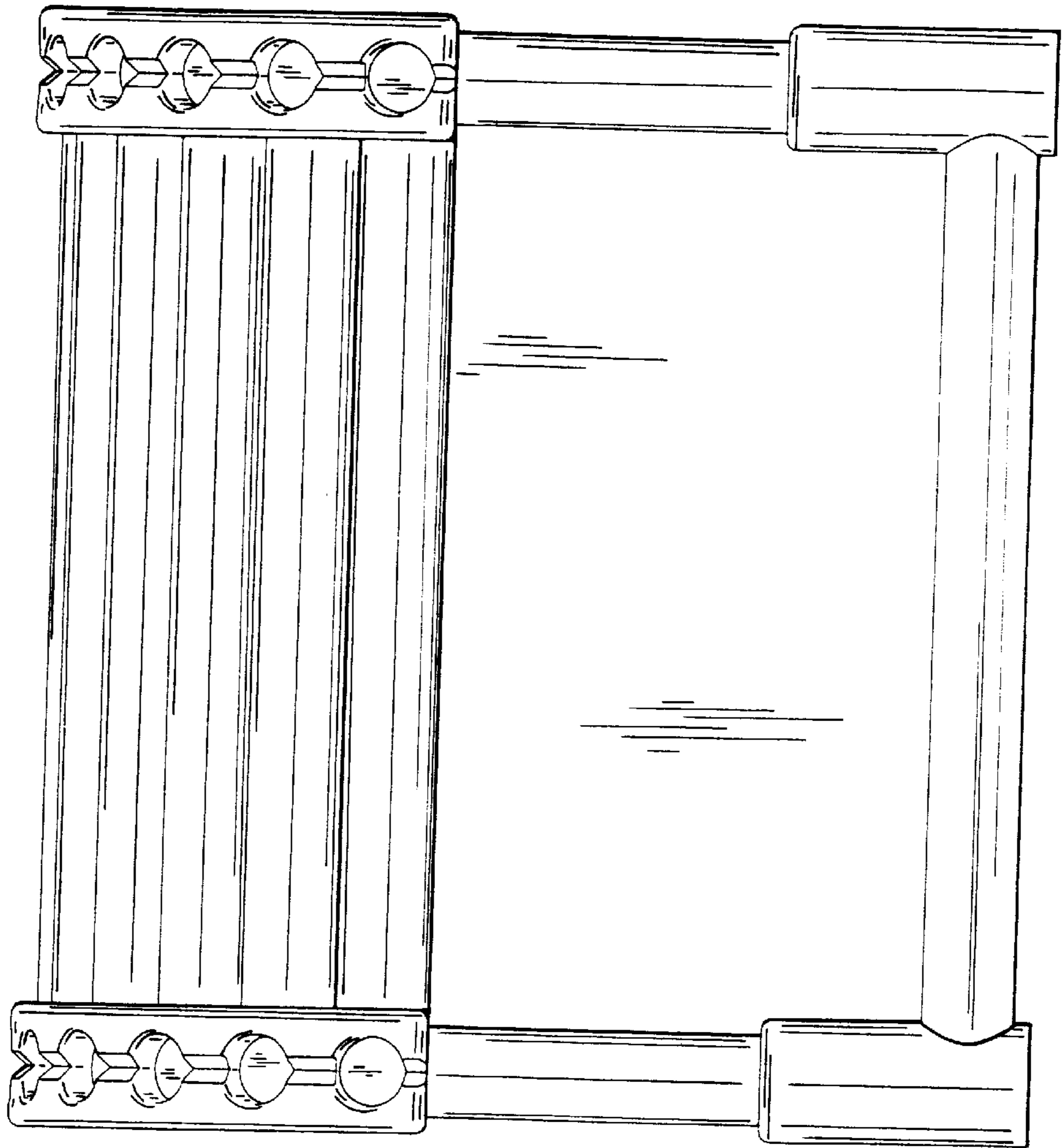
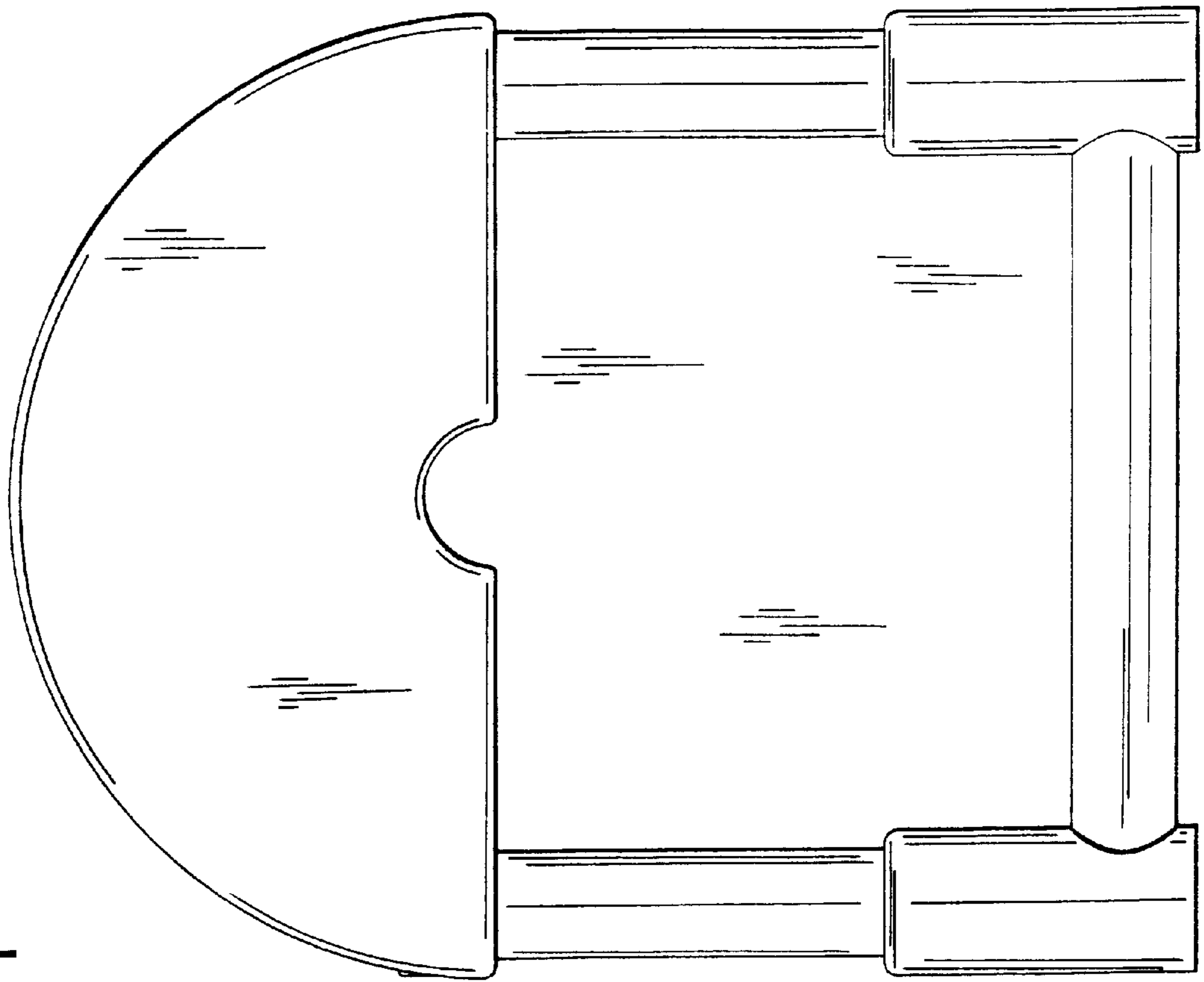


FIG. 4



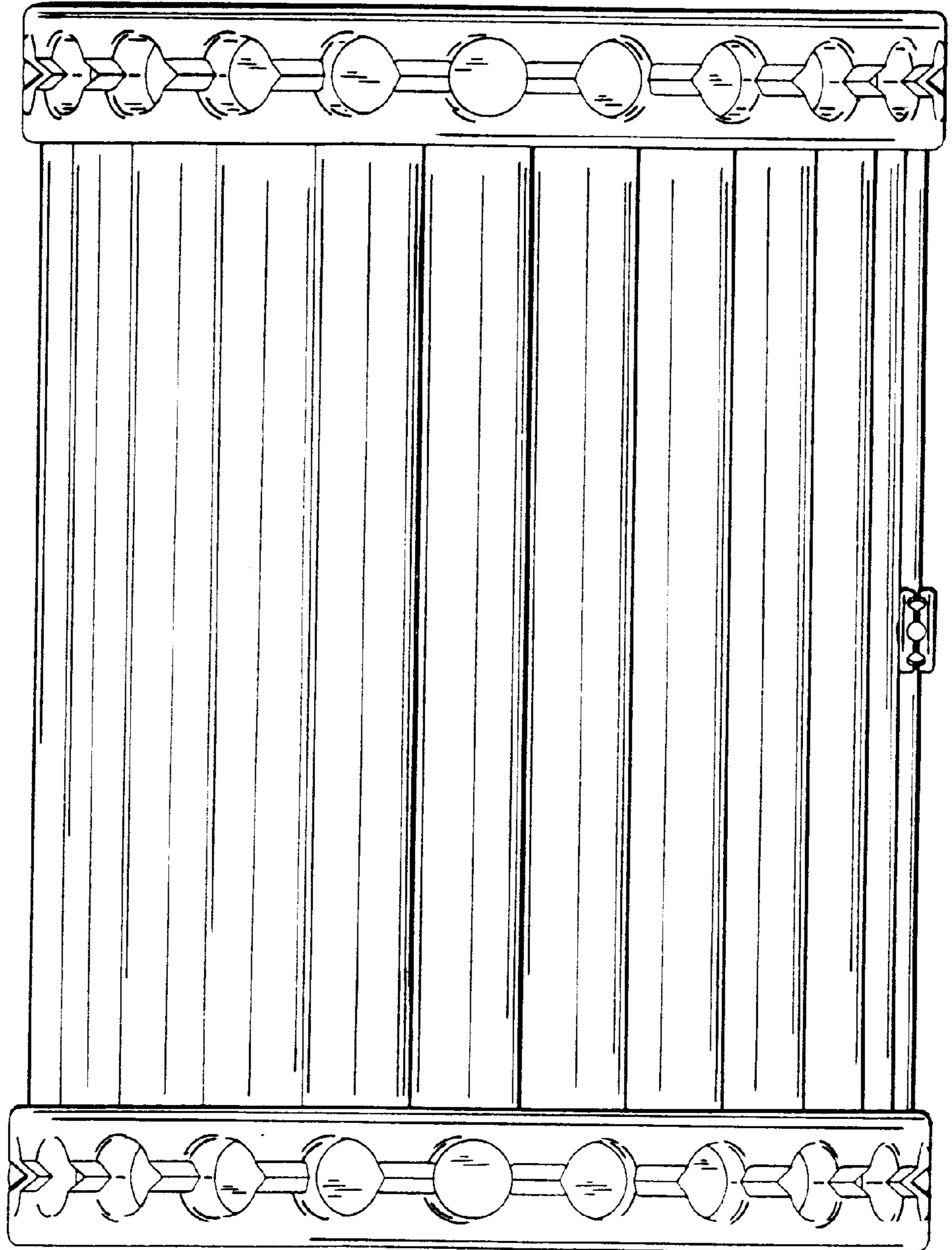
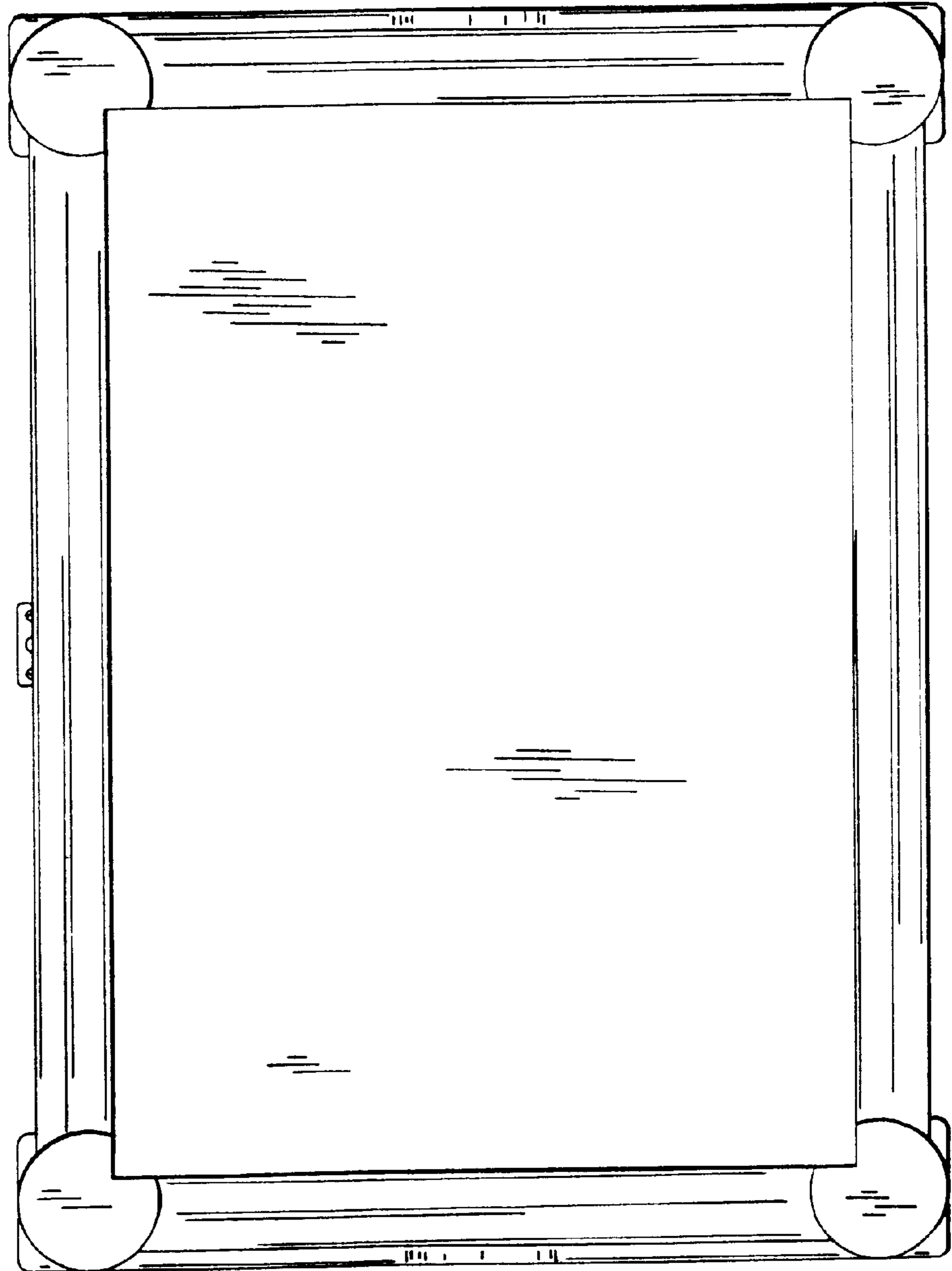


FIG. 5

FIG. 6



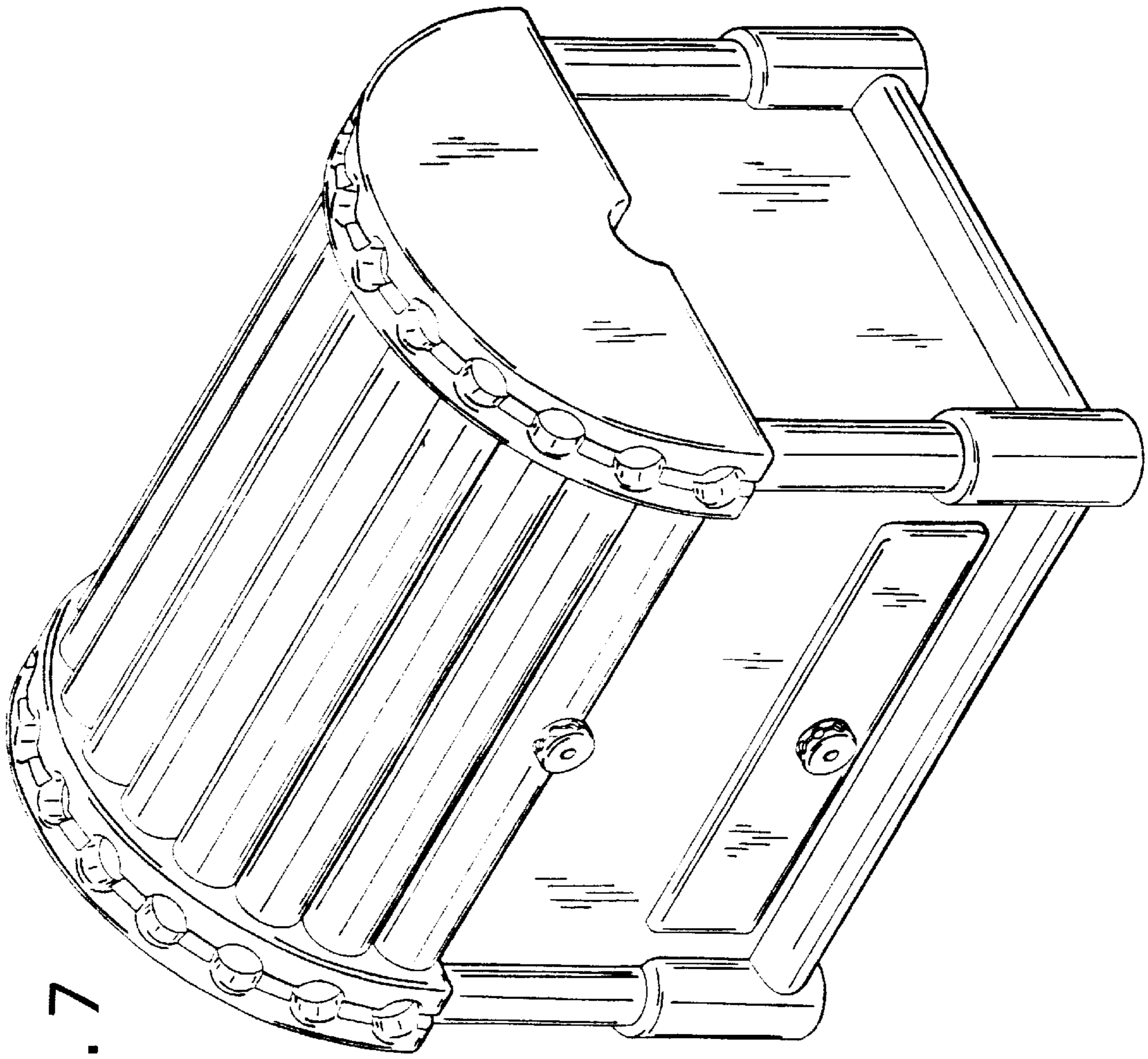


FIG. 7

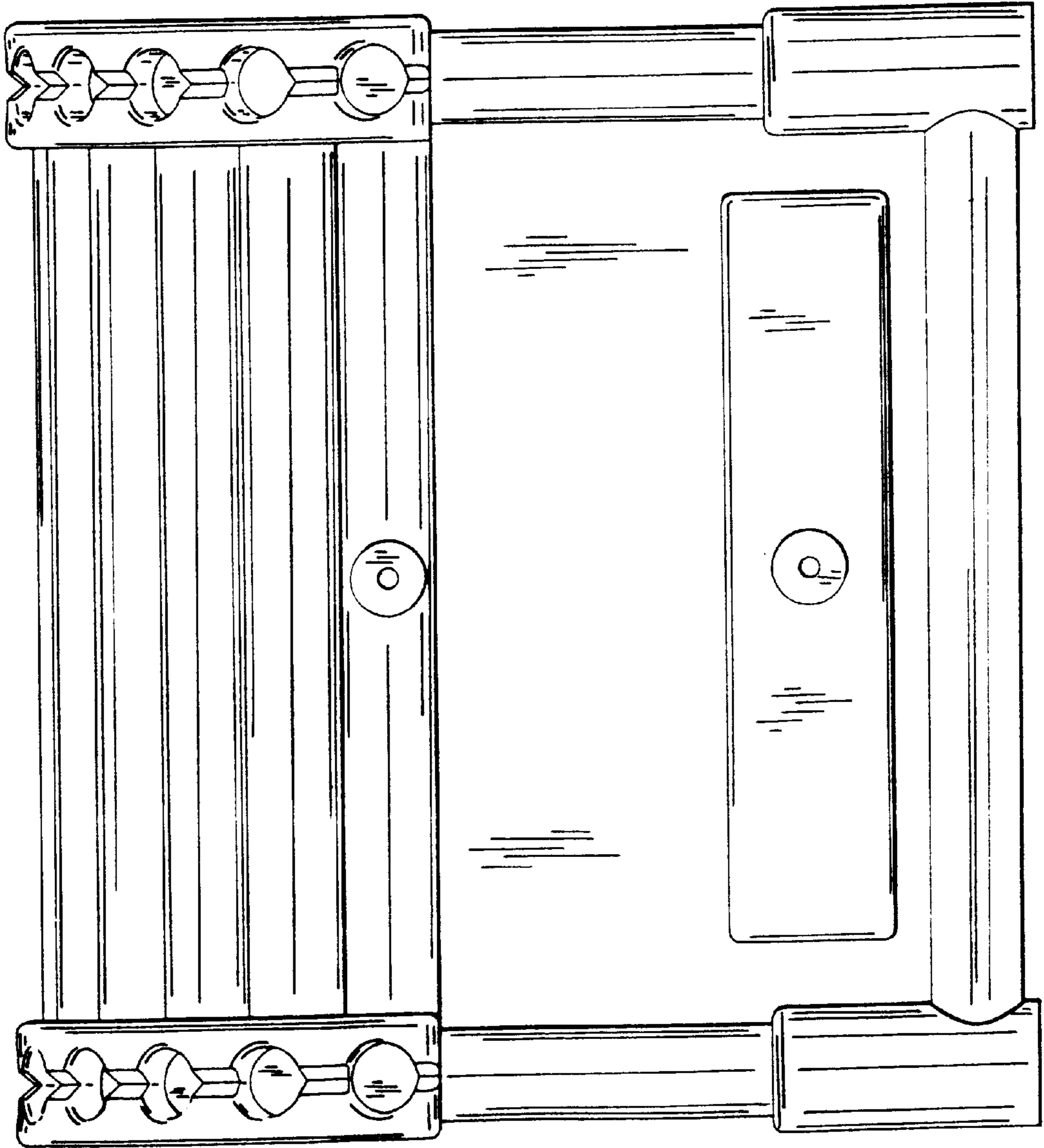


FIG. 8