



US00D473051S

(12) **United States Design Patent**
Hassett

(10) **Patent No.:** **US D473,051 S**

(45) **Date of Patent:** **** Apr. 15, 2003**

(54) **CAMERA CARRYING CASE**

(75) **Inventor:** **Eric S. Hassett**, Golden, CO (US)

(73) **Assignee:** **Case Logic, Inc.**, Longmont, CO (US)

(**) **Term:** **14 Years**

(21) **Appl. No.:** **29/159,382**

(22) **Filed:** **Apr. 17, 2002**

(51) **LOC (7) Cl.** **03-01**

(52) **U.S. Cl.** **D3/267; D3/263; D3/268;**
D3/273

(58) **Field of Search** **D3/208, 215, 219,**
D3/225, 226, 243, 263, 267, 268, 273,
276, 283, 285, 287, 289, 290, 301; D7/607;
206/316.1, 316.2; 224/583, 612, 908

(56) **References Cited**

U.S. PATENT DOCUMENTS

2,827,096	A	*	3/1958	Hinson	
2,960,137	A	*	11/1960	Lipsitz	
3,001,566	A	*	9/1961	Lipsitz	
D269,227	S	*	6/1983	Stark	D3/287
D312,530	S	*	12/1990	Gallen et al.	D3/268
D325,128	S	*	4/1992	Cyr et al.	D3/287
D340,574	S	*	10/1993	Weinreb	D3/268
5,356,004	A	*	10/1994	Weinreb	206/316.2
D355,568	S	*	2/1995	Paulin et al.	D7/607
D371,724	S	*	7/1996	Melk	D7/607
5,573,114	A	*	11/1996	Cyr	206/316.1
D378,709	S	*	4/1997	Jacobs et al.	D3/233
5,735,397	A	*	4/1998	Cyr	206/316.1
5,769,221	A	*	6/1998	Cyr	206/316.1
5,775,496	A	*	7/1998	Cyr	206/316.1
D403,157	S	*	12/1998	Liu	D3/290
D423,779	S	*	5/2000	Goatcher	D3/283
D443,417	S	*	6/2001	Hillman	D3/287
D460,256	S		7/2002	Hillman	D3/219
D460,615	S		7/2002	Hillman	D3/219

OTHER PUBLICATIONS

Case Logic 2002 Product Catalog, "What's Inside Survives", pp. 30 and 31.
Case Logic Spring 2000 Product Catalog, pp. 24, 25 and 28.
Case Logic 2001 Essential Equipment Product Catalog, pp. 35, 36 and 37.
Case Logic 2000 Essential Equipment Product Catalog, pp. 33, 36 and 37.
Case Logic 1999 Product Catalog, pp. 20, 21 and 22.
Case Logic Photo/Video Product Catalog "Video/Camcorder Cases" page, Undated.
Lowepro 2000 Catalog, pp. 27, 31, 33, 41, 49 and 51.
Targus Digital Camera Cases Product Brochure, Digital Camera and Photo Cases pages entitled "Sport", "ADVENTURE" and "PRO-BLACK" Undated.

(List continued on next page.)

Primary Examiner—Celia Murphy
(74) *Attorney, Agent, or Firm*—Sheridan Ross P.C.

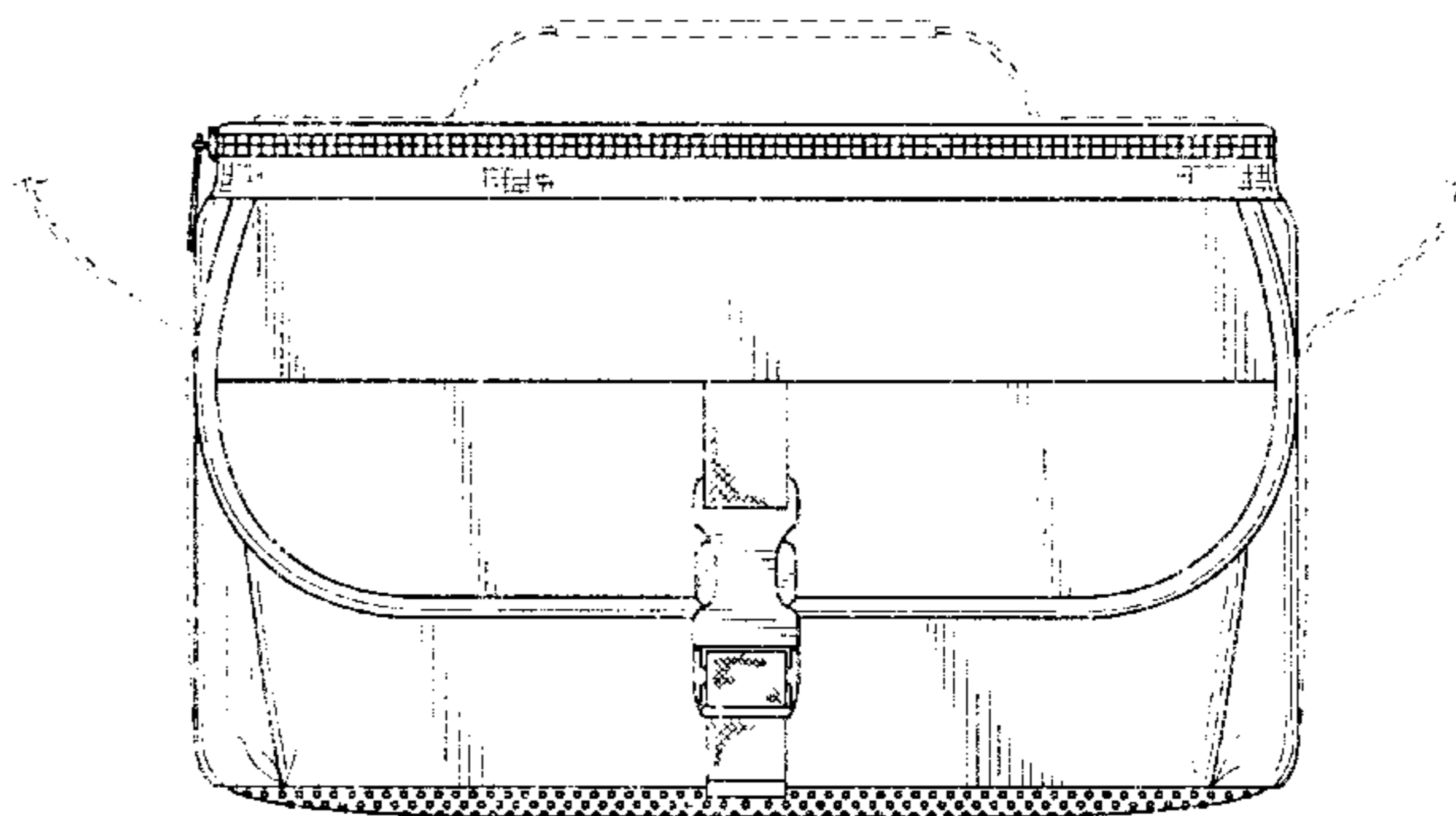
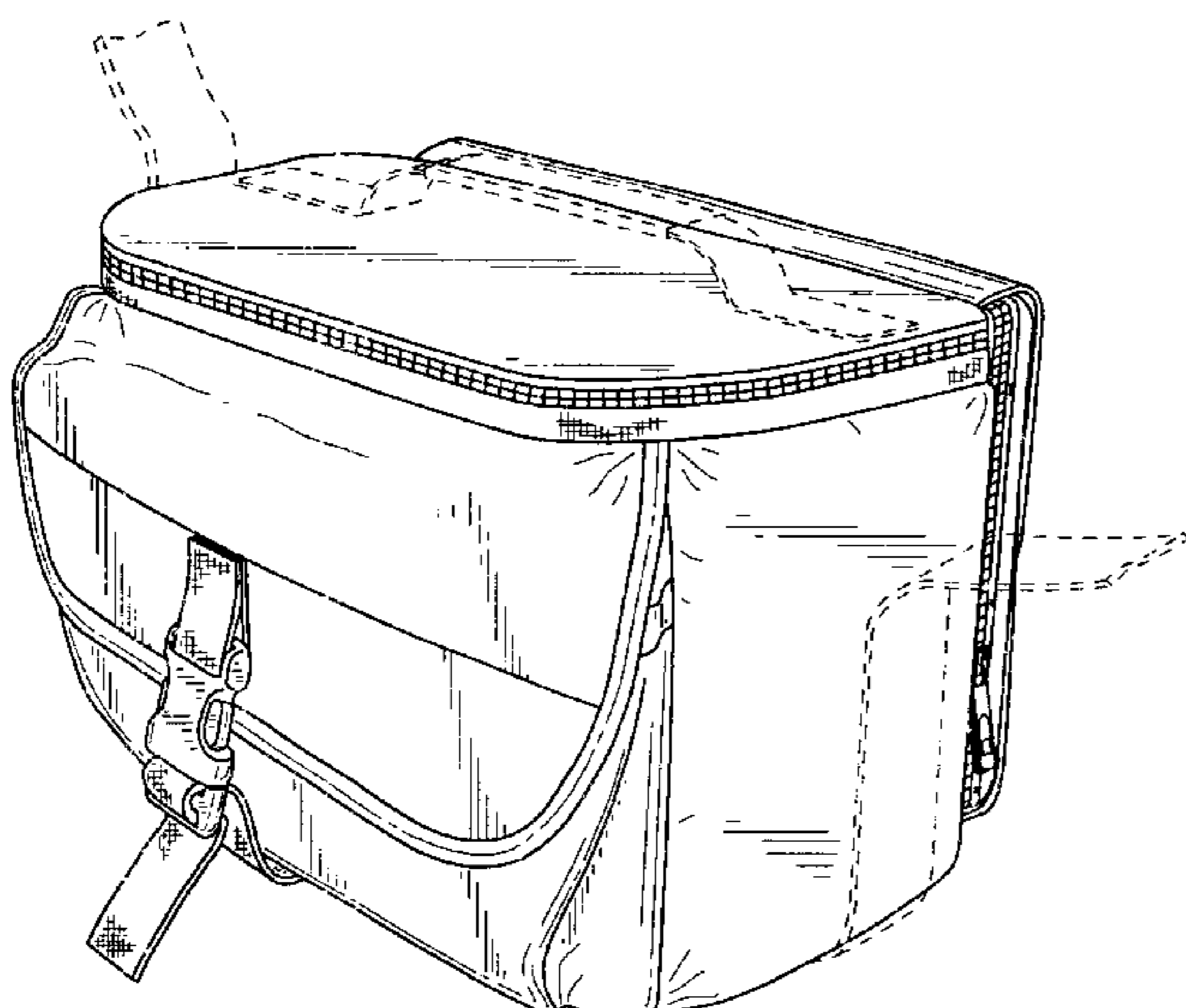
(57) **CLAIM**

The ornamental design for a camera carrying case, as shown and described.

DESCRIPTION

FIG. 1 is a front perspective view of a camera carrying case showing my new design with environment, the broken lines forming no part of my claimed design;
FIG. 2 is a front elevation view of the invention illustrated in FIG. 1;
FIG. 3 is a rear elevation rear elevation view of the invention illustrated in FIG. 1;
FIG. 4 is a right elevation view of the invention illustrated in FIG. 1;
FIG. 5 is a left elevation view of the invention illustrated in FIG. 1;
FIG. 6 is a top plan view of the invention illustrated in FIG. 1; and,
FIG. 7 is a bottom plan view of the invention illustrated in FIG. 1.

1 Claim, 4 Drawing Sheets



OTHER PUBLICATIONS

Ambico Video Luggage & Photo Cases Catalog, pp. 2-5, Undated.

Samsonite Photo Video Taschen Catalog, date unknown.

1999 CdProjects Catalog, p. 22.

Case Connect Product Brochure, pp. 10 and 11, Undated.

Tamrac 20th Anniversary Catalog 1998, pp. 16, 17, 20-24, 29, 39, 45, 50, 51.

U.S. patent application Ser. No. 29/157,486, Hasset, filed Mar. 19, 2002.

U.S. patent application Ser. No. 29/157,137, Hillman, filed Apr. 15, 2002.

U.S. patent application Ser. No. 29/161,103, Hillman, filed May 21, 2002.

U.S. patent application Ser. No. 29/159,181, Hillman, filed Apr. 15, 2002.

* cited by examiner

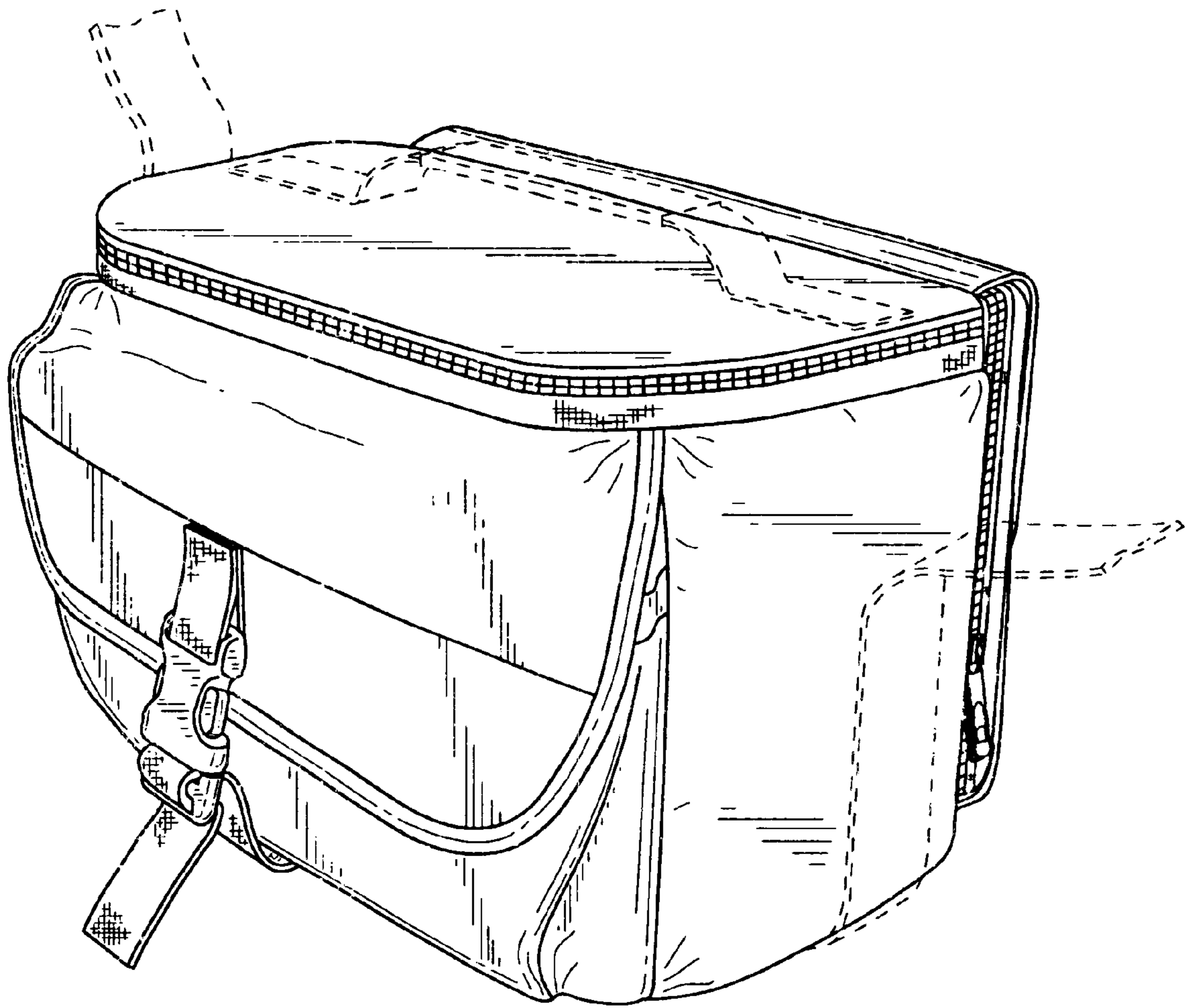


FIG. 1

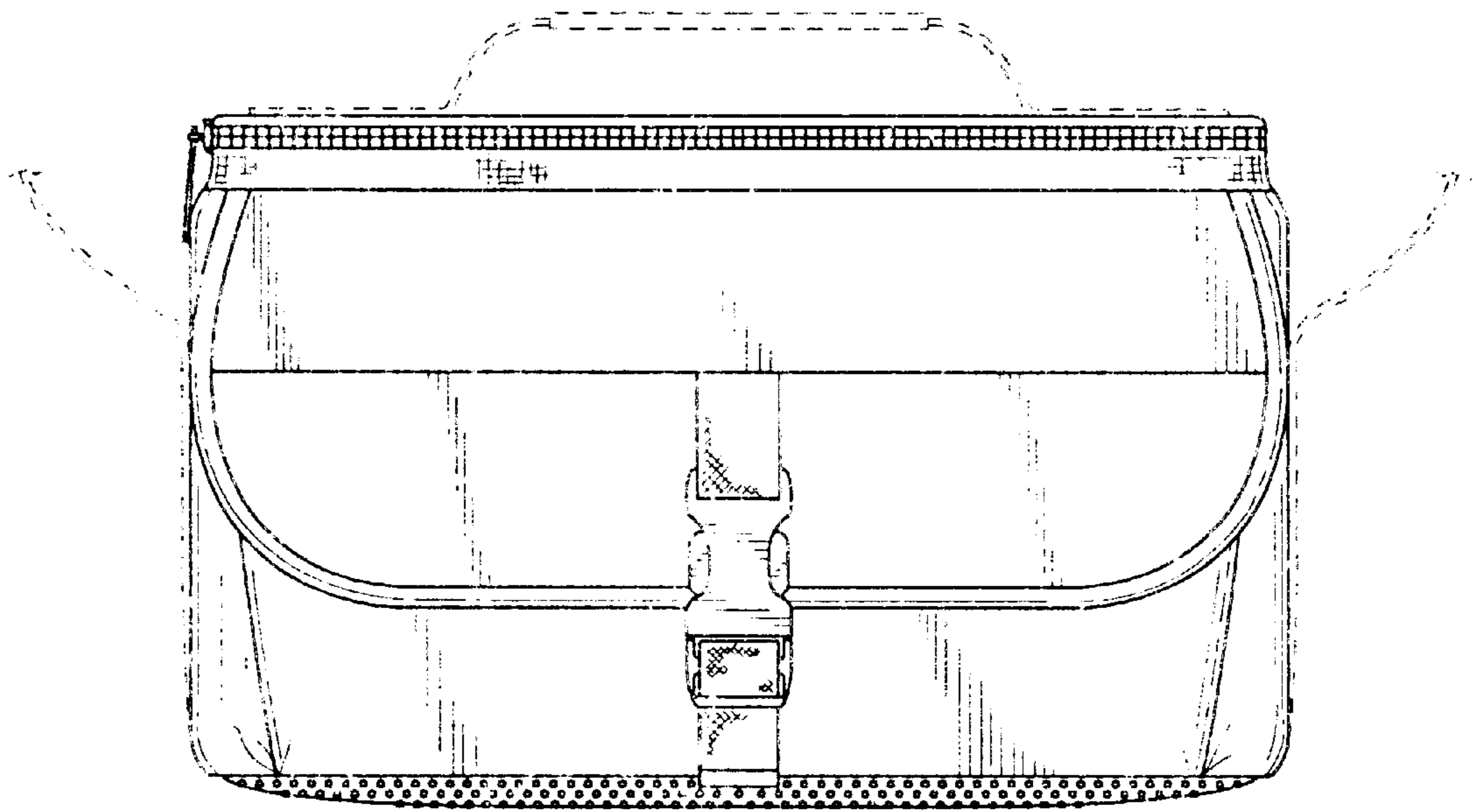


FIG. 2

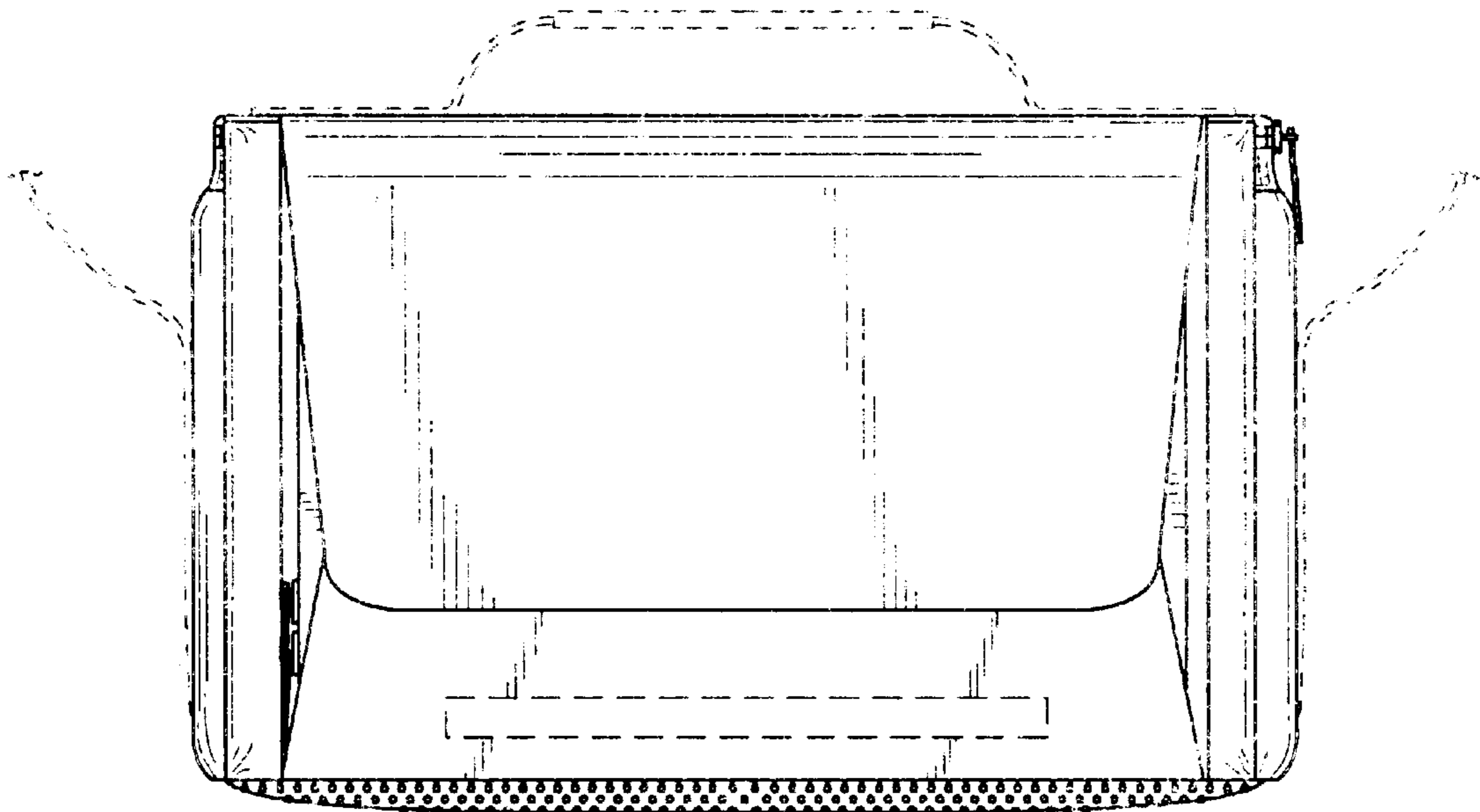


FIG. 3

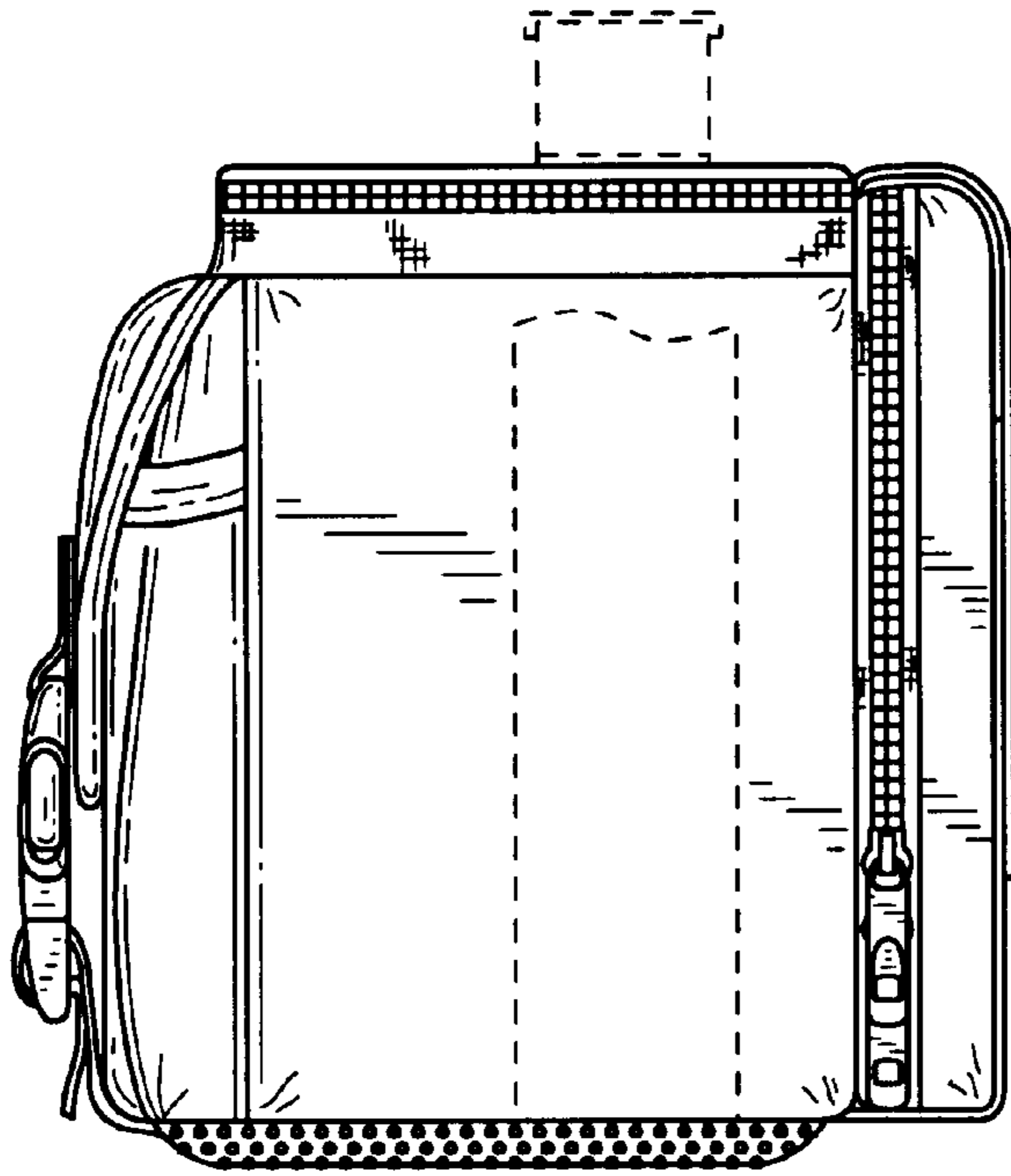


FIG.4

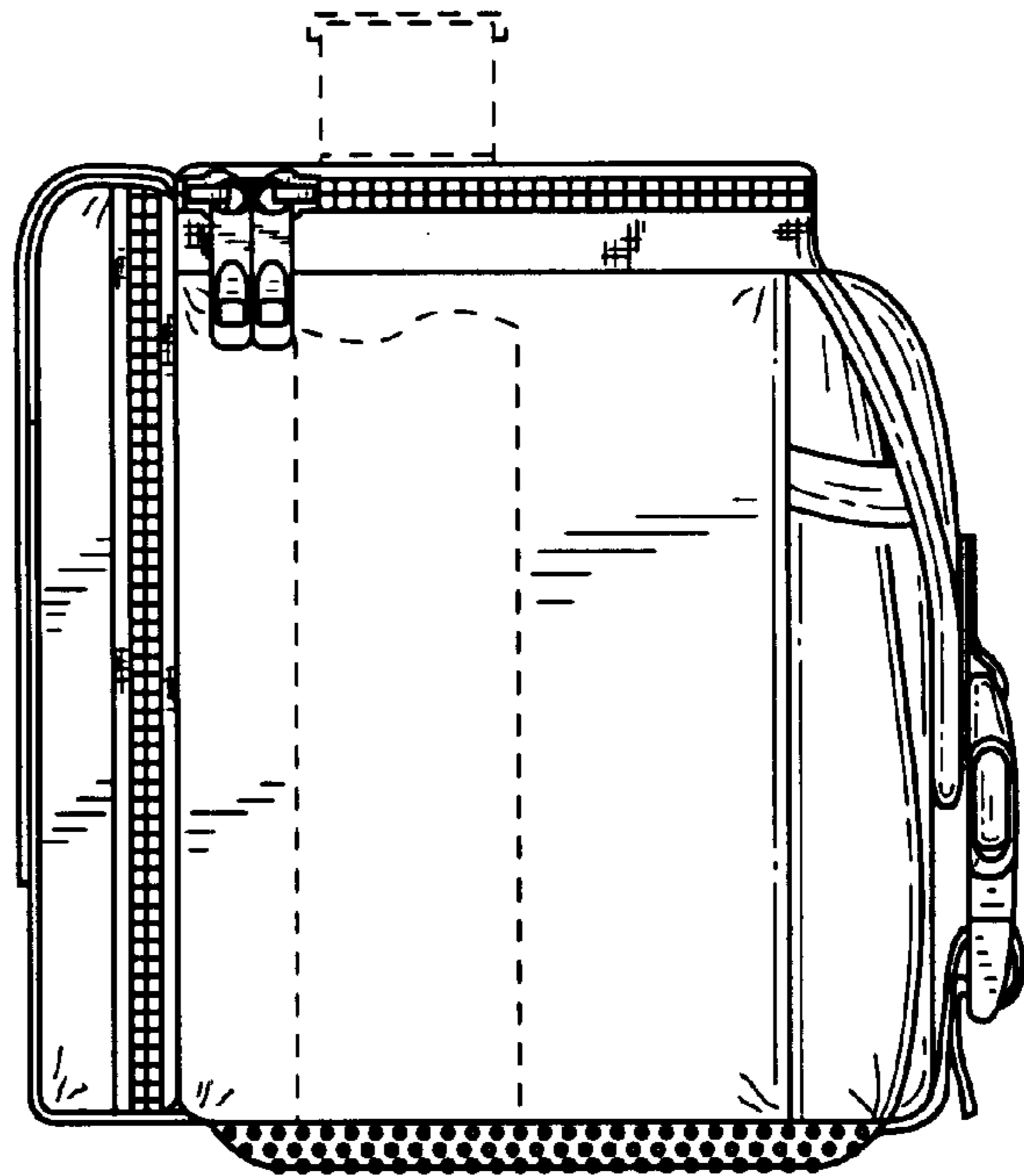


FIG.5

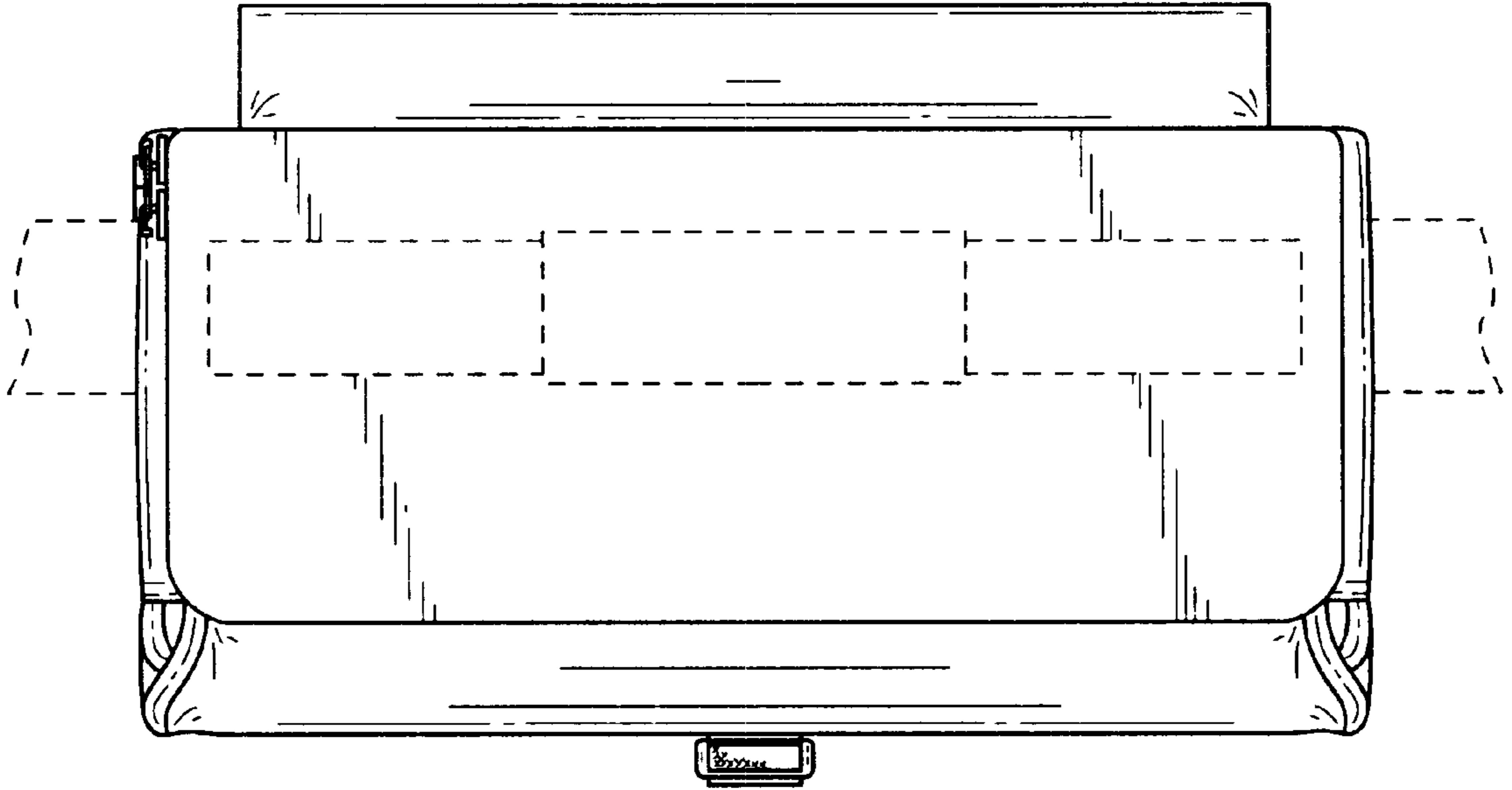


FIG. 6

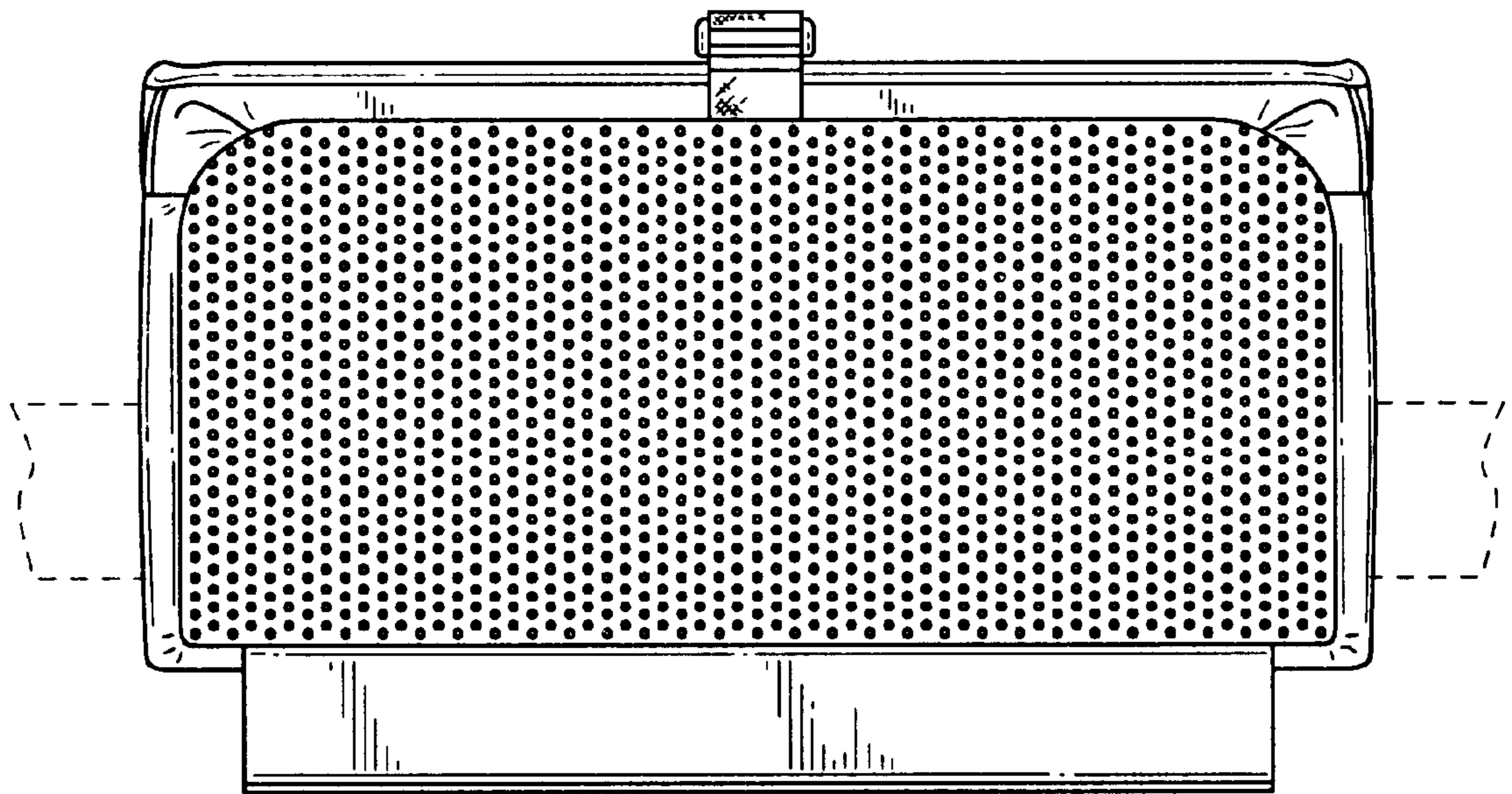


FIG. 7