



US00D473041S

(12) **United States Design Patent**
Finkelberg

(10) **Patent No.:** **US D473,041 S**

(45) **Date of Patent:** **** Apr. 15, 2003**

(54) **OUTER SOLE**

(75) **Inventor:** **Boris Finkelberg**, Huntington Beach,
CA (US)

(73) **Assignee:** **Seychelles Imports, LLC**, Gardena, CA
(US)

(**) **Term:** **14 Years**

(21) **Appl. No.:** **29/155,514**

(22) **Filed:** **Feb. 11, 2002**

(51) **LOC (7) Cl.** **02-04**

(52) **U.S. Cl.** **D2/960; D2/957**

(58) **Field of Search** D2/897, 902, 908,
D2/909, 914, 946-948, 951-962, 967, 972,
977; 36/7.3, 7.5, 14, 25 R, 32 R, 3 B, 59 R

(56) **References Cited**

U.S. PATENT DOCUMENTS

D116,635 S	*	9/1939	Stuart	D2/909
D133,176 S	*	7/1942	Gregg		
2,405,498 A	*	8/1946	Gregg	36/32 R
D163,071 S	*	4/1951	Sutrage		
D250,943 S	*	1/1979	Bergamaschi	D2/960
4,137,653 A	*	2/1979	Famolare, Jr.	36/3 B
D278,946 S	*	5/1985	Chen	D2/917

D294,653 S	*	3/1988	Le	D2/900
D297,185 S	*	8/1988	Berzak	D2/957
D306,372 S	*	3/1990	Diaz et al.	D2/955
D322,509 S	*	12/1991	Issler	D2/957
D335,568 S	*	5/1993	Kilgore	D2/902
D421,828 S	*	3/2000	Malka	D2/916
D449,430 S	*	10/2001	McClaskie	D2/960
D460,606 S	*	7/2002	Clark et al.	D2/952

* cited by examiner

Primary Examiner—Celia Murphy

(74) *Attorney, Agent, or Firm*—Mitchell Silberberg &
Knupp LLP

(57) **CLAIM**

The ornamental design for an outer sole, as shown and
described.

DESCRIPTION

FIG. 1 is a bottom plan view of an outer sole showing my
new design;

FIG. 2 is a left side elevational view thereof;

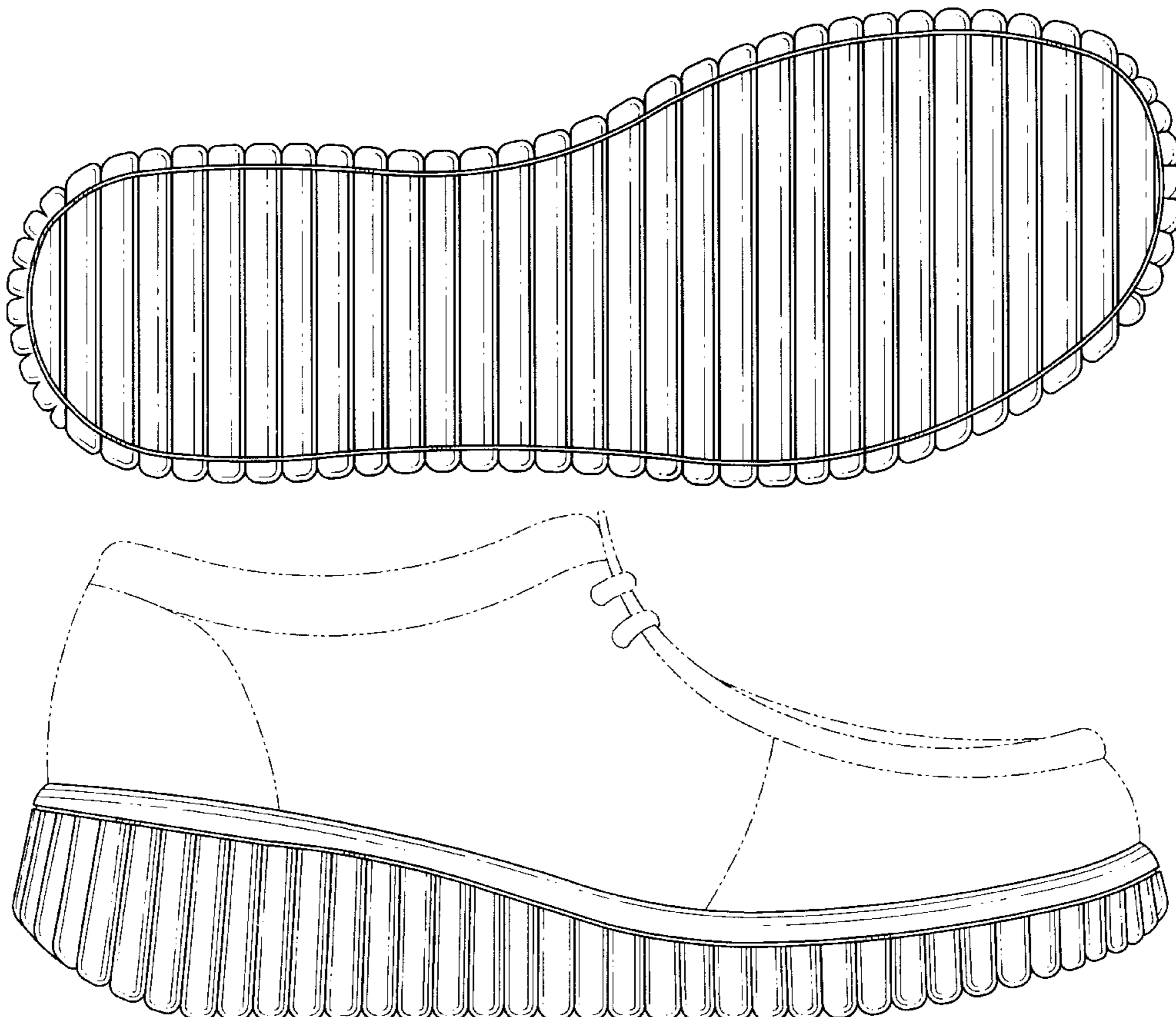
FIG. 3 is a right side elevational view thereof;

FIG. 4 is a front elevational view thereof; and,

FIG. 5 is a rear elevational view thereof.

Any broken-line illustration in the drawing disclosure is not
a part of the design sought to be patented.

1 Claim, 4 Drawing Sheets



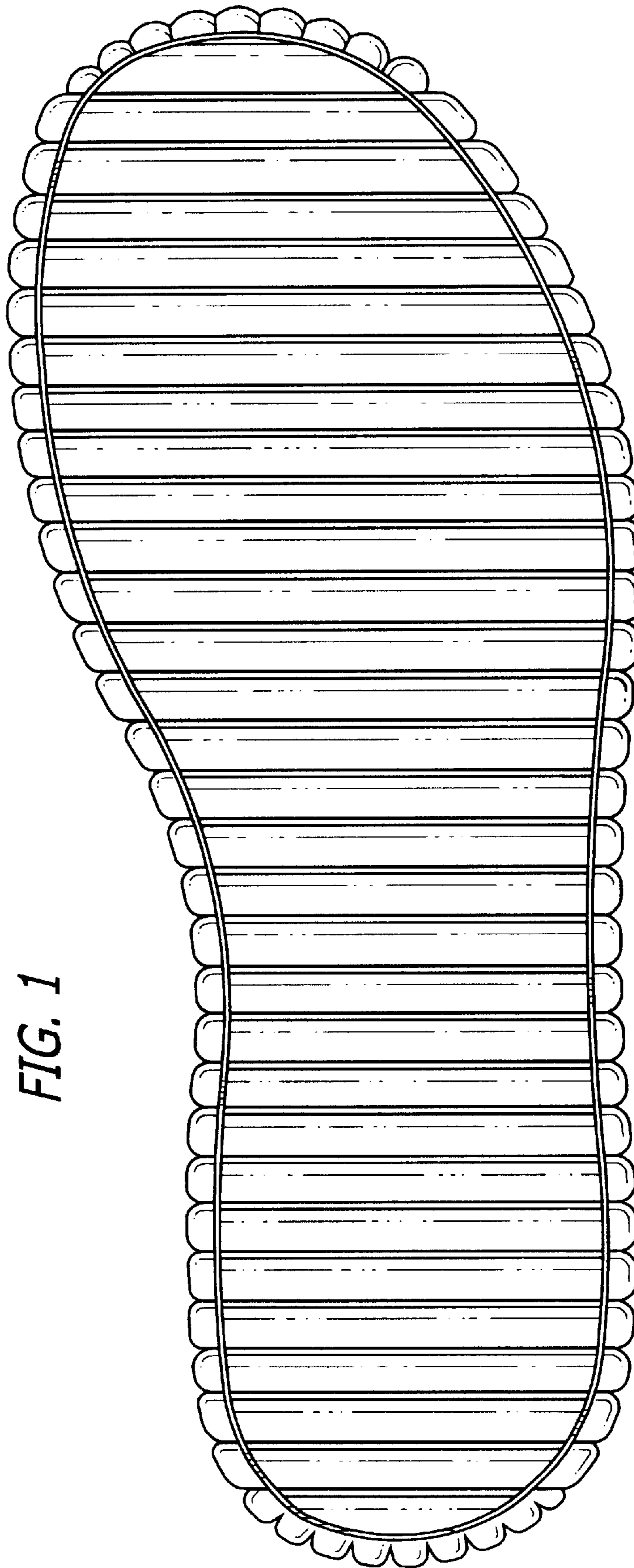


FIG. 1

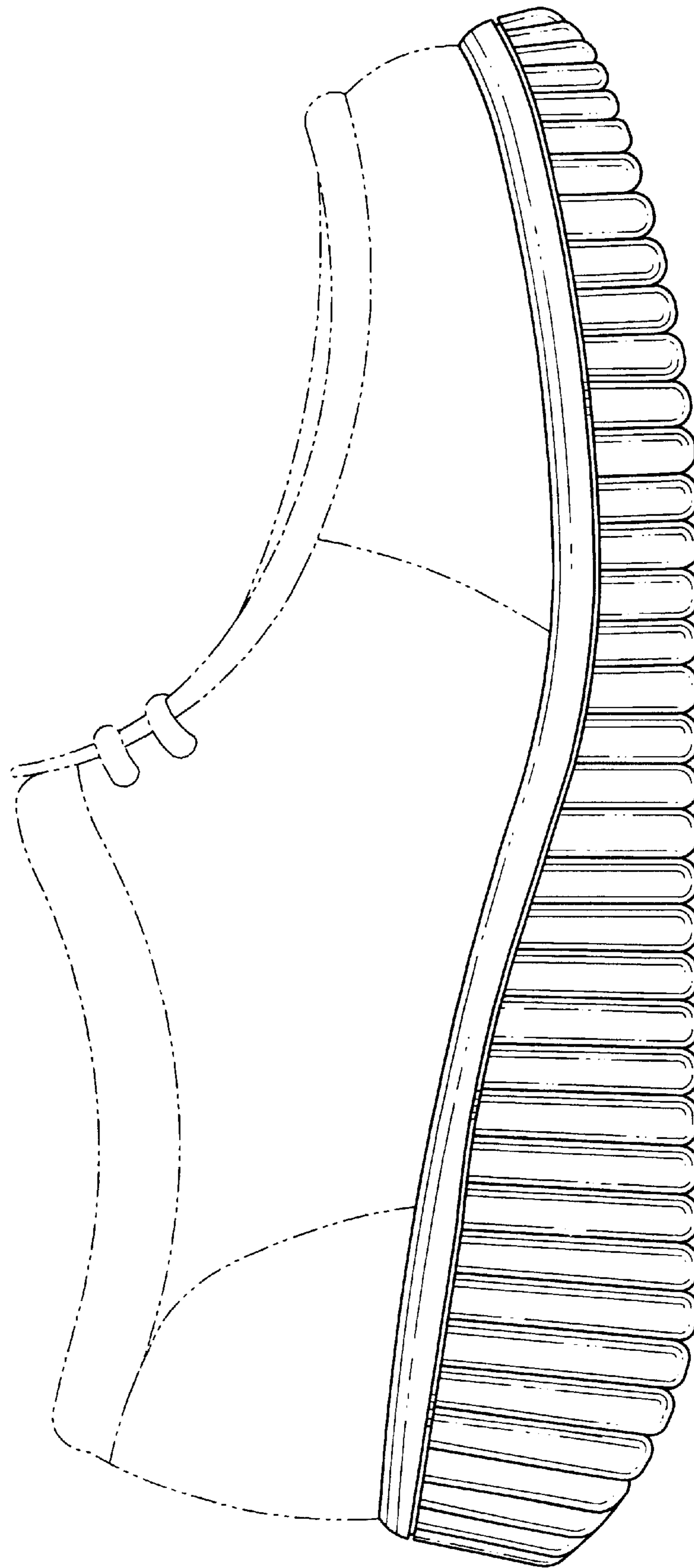


FIG. 2

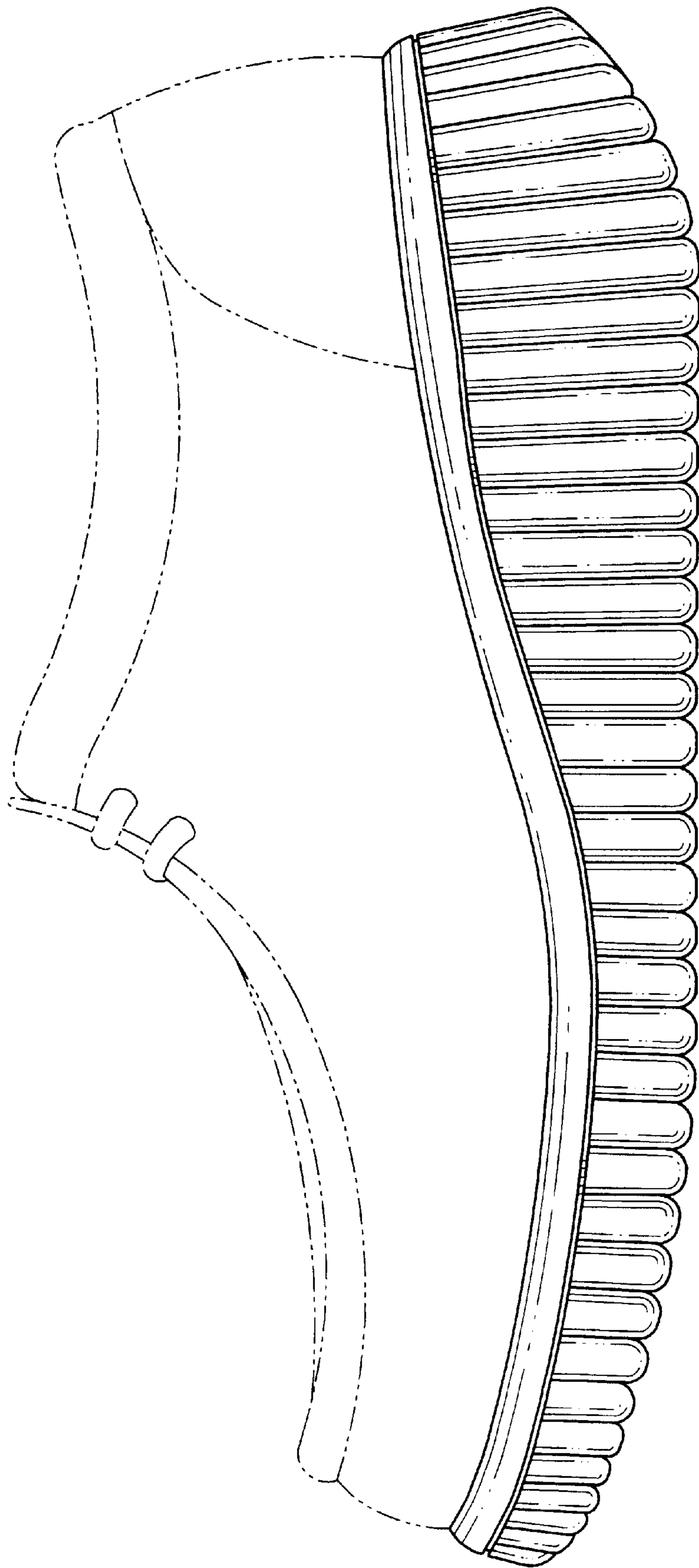


FIG. 3

FIG. 5

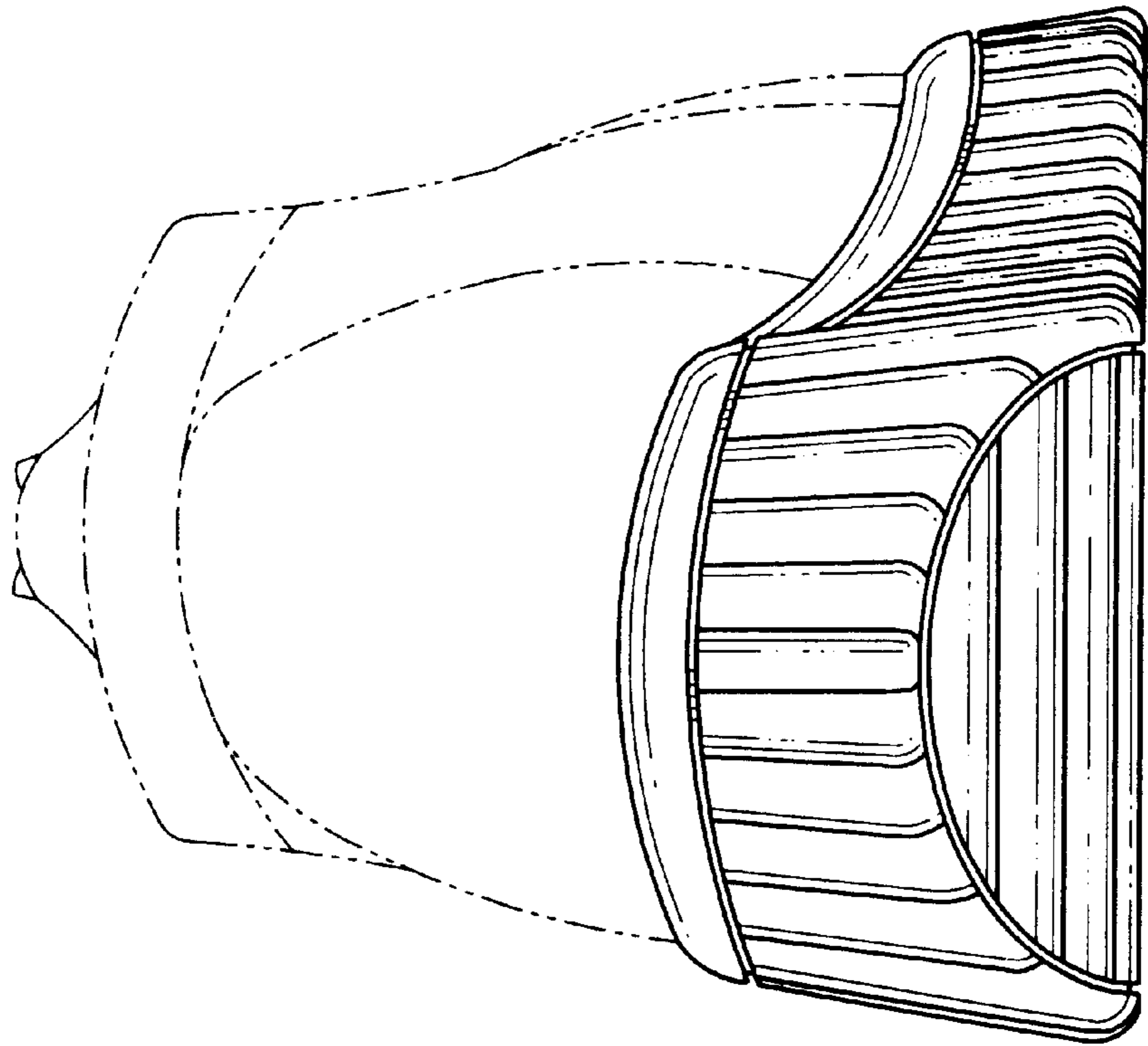


FIG. 4

