



US00D473036S

(12) **United States Design Patent**
Franco

(10) **Patent No.:** **US D473,036 S**

(45) **Date of Patent:** **** Apr. 15, 2003**

(54) **SOCK HOLDING DRESSING AID**

(76) **Inventor:** **Rito H. Franco**, 29384 Dorsey St., Sun City, CA (US) 92586

(**) **Term:** **14 Years**

(21) **Appl. No.:** **29/162,408**

(22) **Filed:** **Jun. 14, 2002**

(51) **LOC (7) Cl.** **07-99**

(52) **U.S. Cl.** **D2/641**

(58) **Field of Search** D2/641, 642; 223/112, 223/113, 114, 115, 116, 117, 118, 119

(56) **References Cited**

U.S. PATENT DOCUMENTS

4,066,194 A	*	1/1978	Leland	223/111
4,497,424 A	*	2/1985	Smith	223/111
4,637,532 A	*	1/1987	Doorenbos	223/111
4,756,453 A	*	7/1988	Pettit et al.	223/111
4,789,087 A	*	12/1988	Doorenbos	223/111

D365,913 S	*	1/1996	Ballard	D2/641
5,706,988 A	*	1/1998	Moore	223/111
5,826,761 A	*	10/1998	Basaj	223/112

* cited by examiner

Primary Examiner—Paula A. Mortimer

(74) *Attorney, Agent, or Firm*—Loyal McKinley Hanson

(57) **CLAIM**

I claim the ornamental design for a sock holding dressing aid, as shown and described.

DESCRIPTION

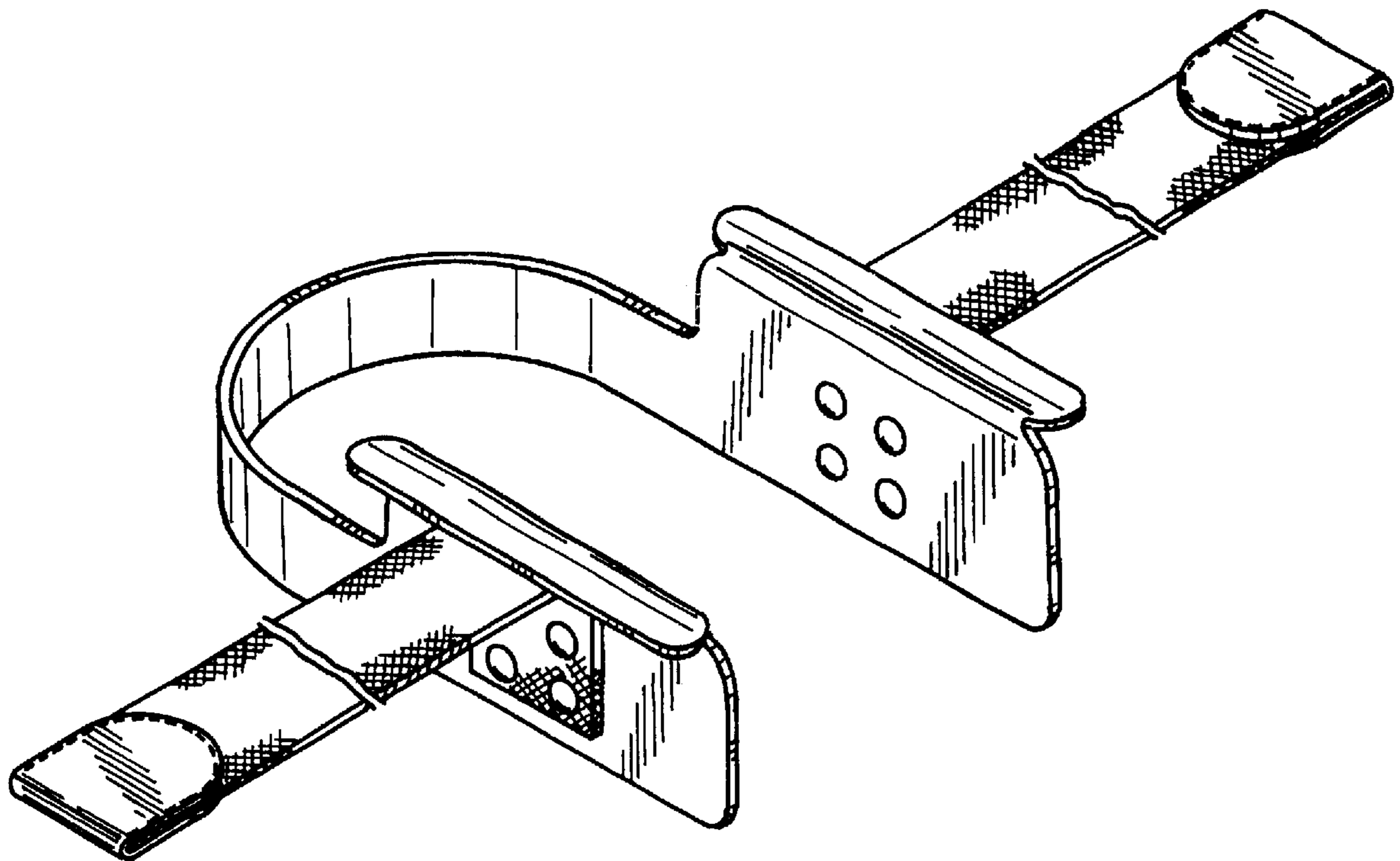
FIG. 1 of the drawings is an isometric view showing the front, top, and right side of a sock holding dressing aid embodying the design of my invention, the foreshortened straps being of indeterminate size;

FIG. 2 is an elevation view of the left side;

FIG. 3 is an elevation view of the back; and,

FIG. 4 is a plan view of the bottom.

1 Claim, 2 Drawing Sheets



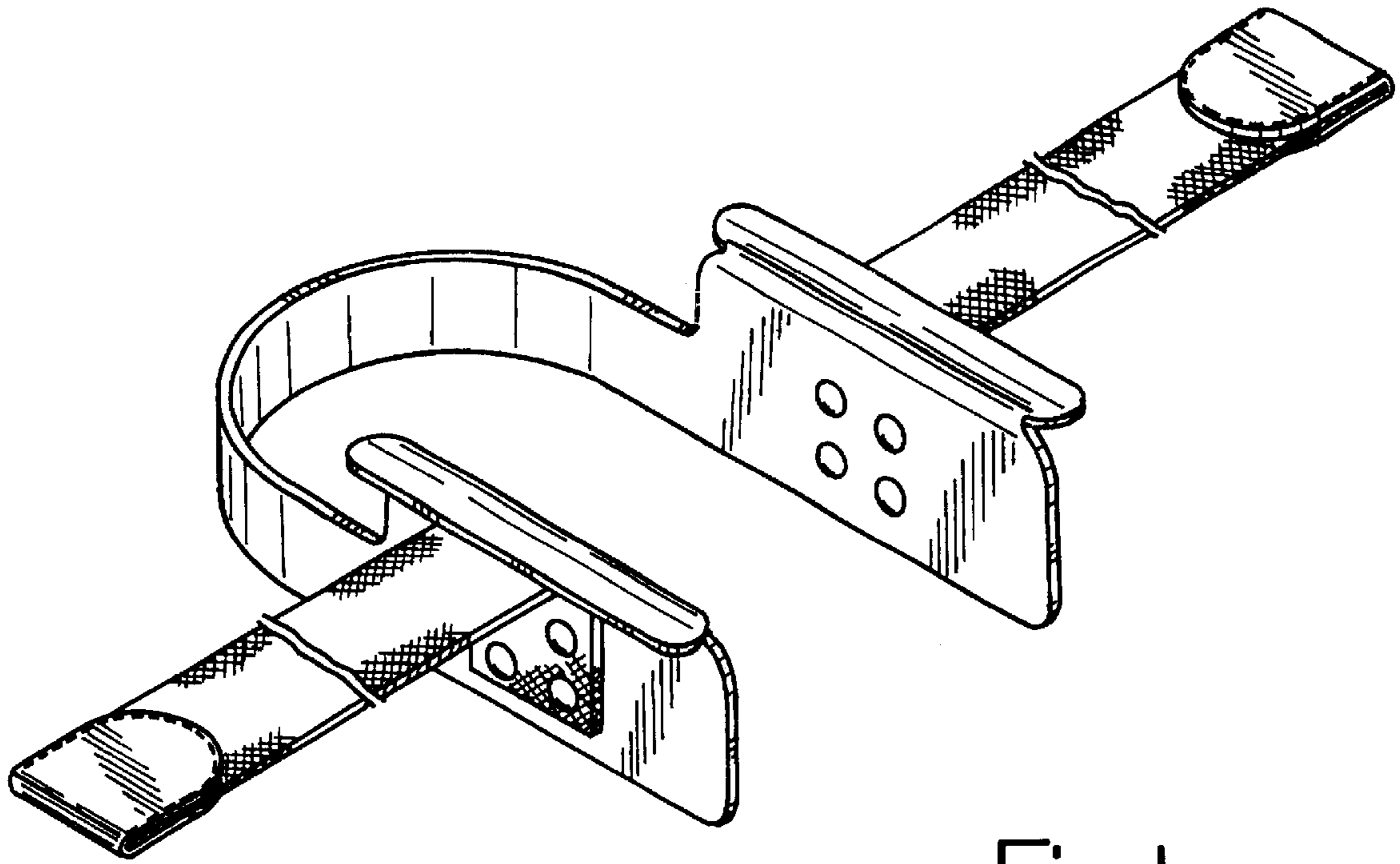


Fig. 1

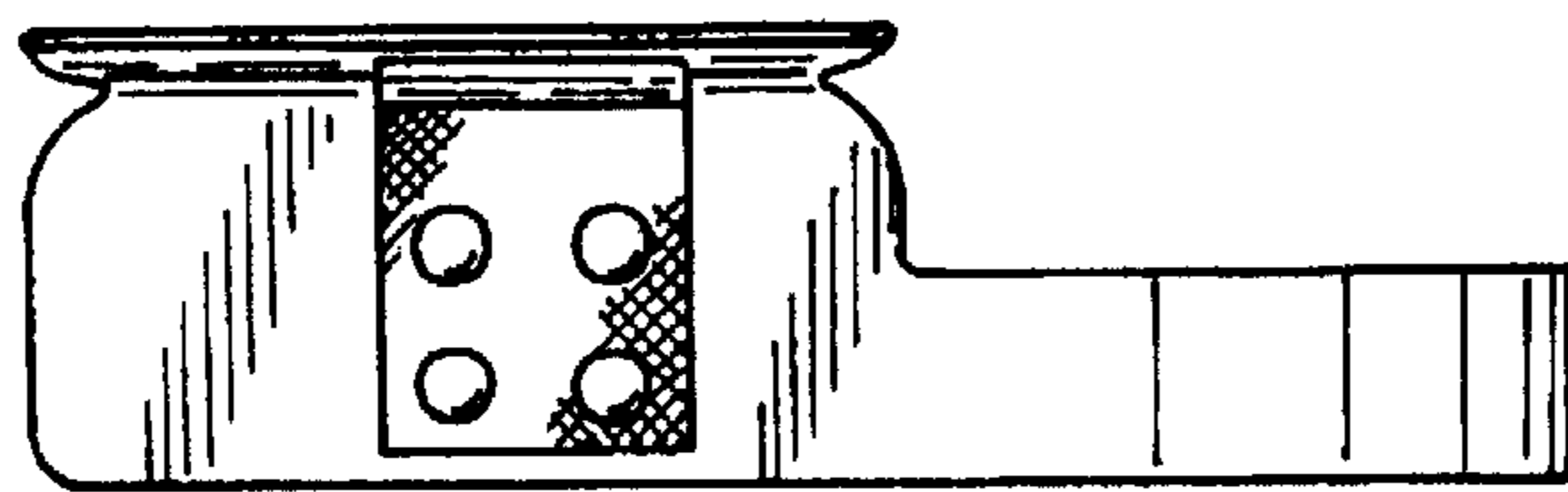


Fig. 2

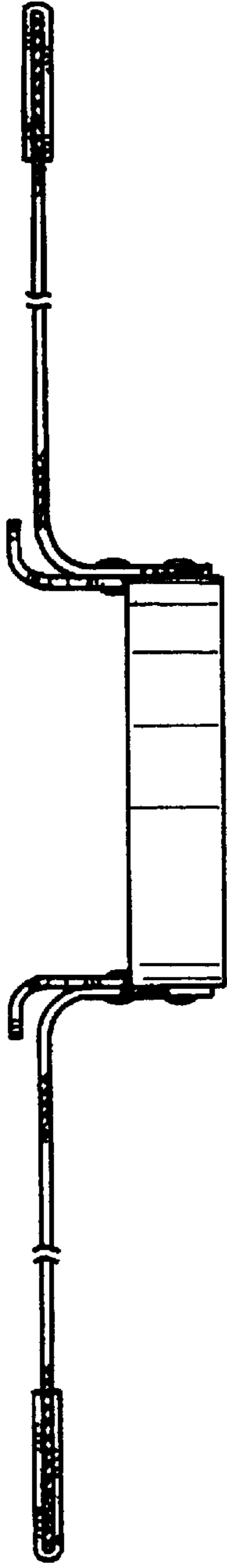


Fig. 3

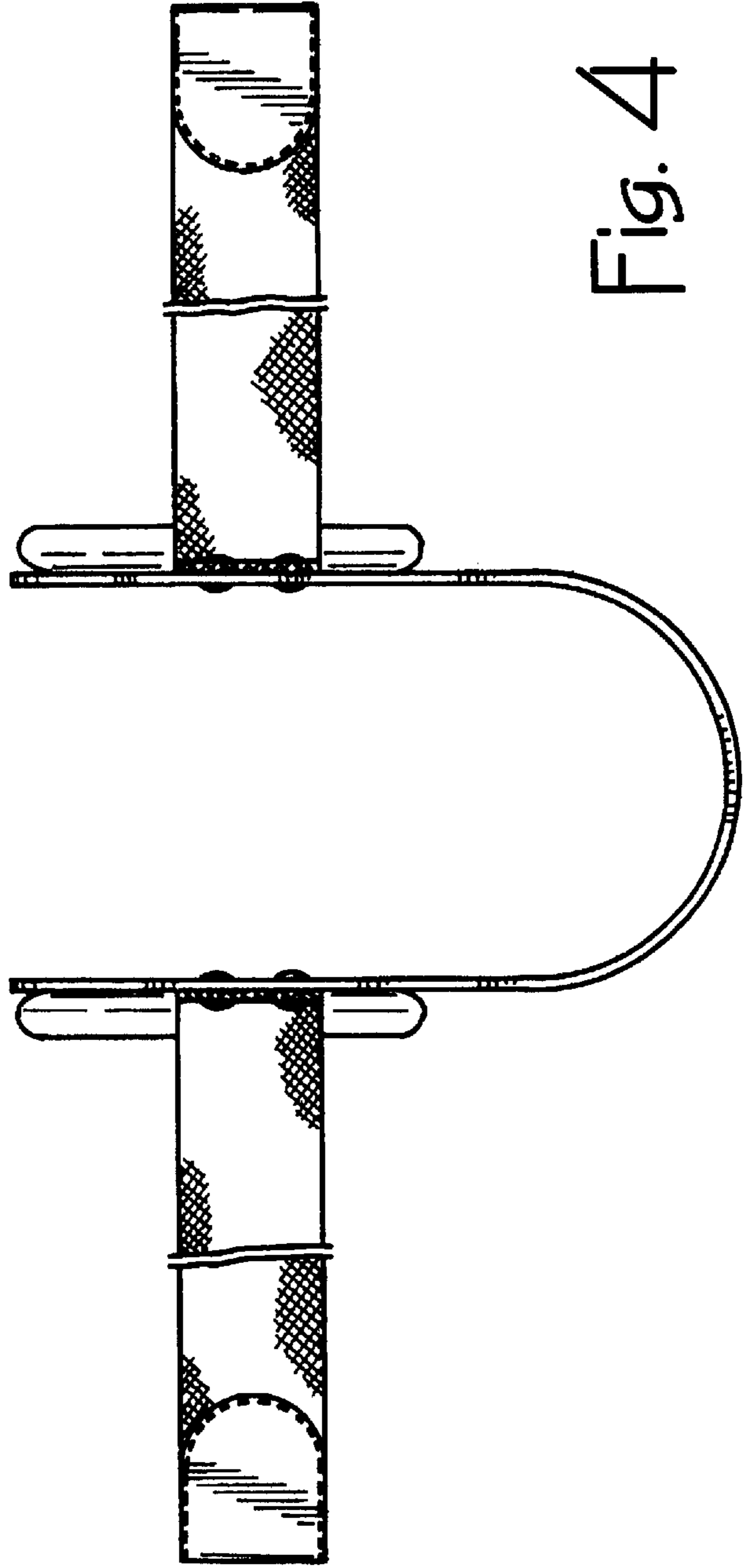


Fig. 4