



US00D473035S

(12) **United States Design Patent**
Falk

(10) **Patent No.:** **US D473,035 S**

(45) **Date of Patent:** **** Apr. 15, 2003**

(54) **KNOT EASY SHOE OR BOOT ACCESSORY**

(76) Inventor: **Jessica Lynn Falk**, 186 Paul Ct.,
Hillsdale, NJ (US) 07642

(**) Term: **14 Years**

(21) Appl. No.: **29/162,064**

(22) Filed: **Jun. 10, 2002**

(51) **LOC (7) Cl.** **07-99**

(52) **U.S. Cl.** **D2/641**

(58) **Field of Search** D2/640, 641, 642;
223/111-119; D11/87; 24/129 R, 129 D,
132 WL, 543, 712.1, 713.1, 712.7, 713,
712.2, 715.4, 712.3, 265; D8/356, 383,
394, 396

(56) **References Cited**

U.S. PATENT DOCUMENTS

3,321,815 A * 5/1967 Herdman 24/712.3
3,500,508 A * 3/1970 Bennett 24/712.2

D258,920 S * 4/1981 White D2/642
5,182,838 A * 2/1993 Stenner 24/712.7
D443,816 S * 6/2001 Ikeda D8/396

* cited by examiner

Primary Examiner—Paula A. Mortimer

(57) **CLAIM**

The ornamental design for a knot easy shoe or boot accessory, as shown.

DESCRIPTION

FIG. 1 is a perspective view of a knot easy shoe or boot accessory showing my new design;
FIG. 2 is a front elevational view thereof;
FIG. 3 is a right side elevational view thereof;
FIG. 4 is a rear elevational view thereof;
FIG. 5 is a left side elevational view thereof;
FIG. 6 is a top plan view thereof; and,
FIG. 7 is a bottom plan view thereof.

1 Claim, 3 Drawing Sheets

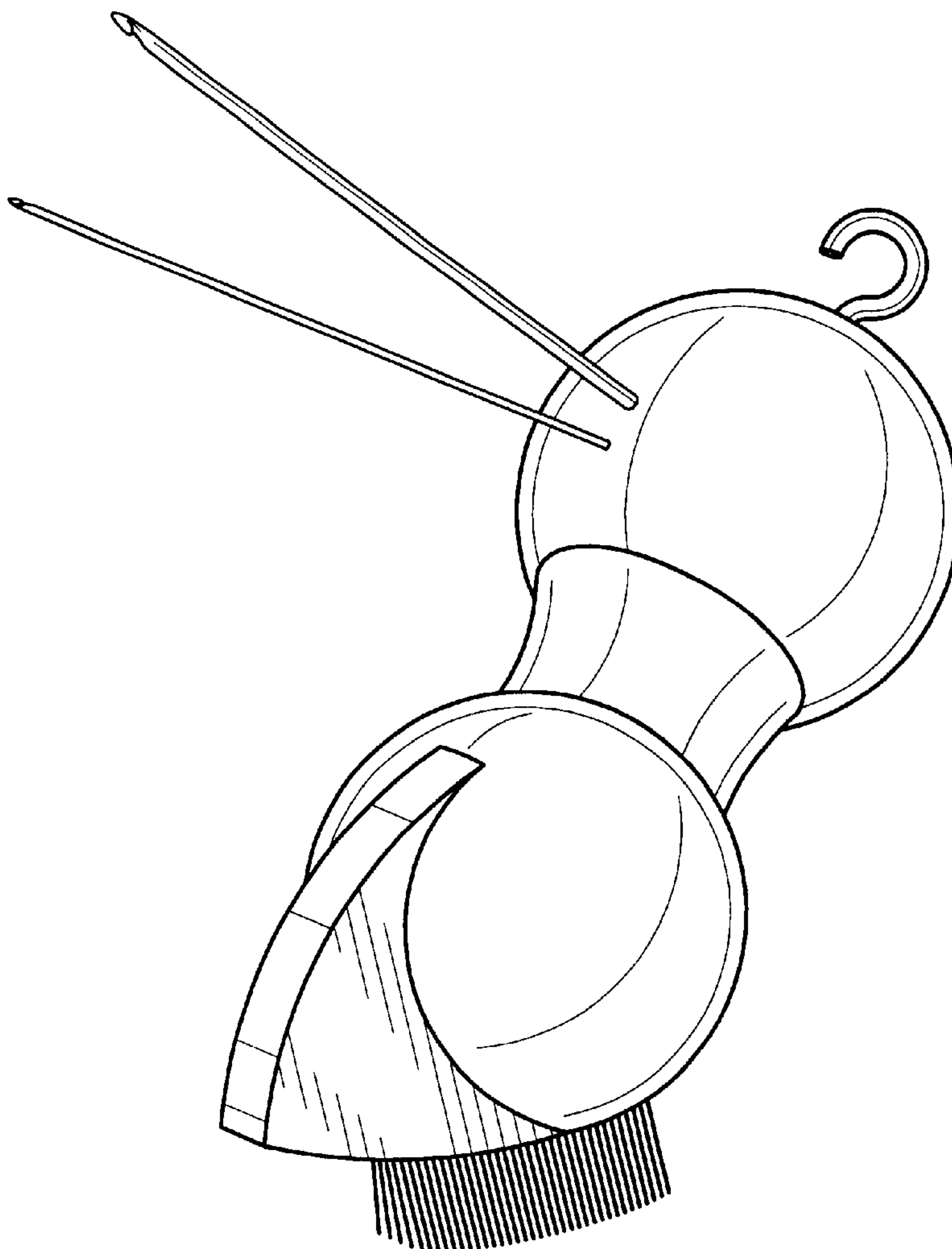


FIG. 1

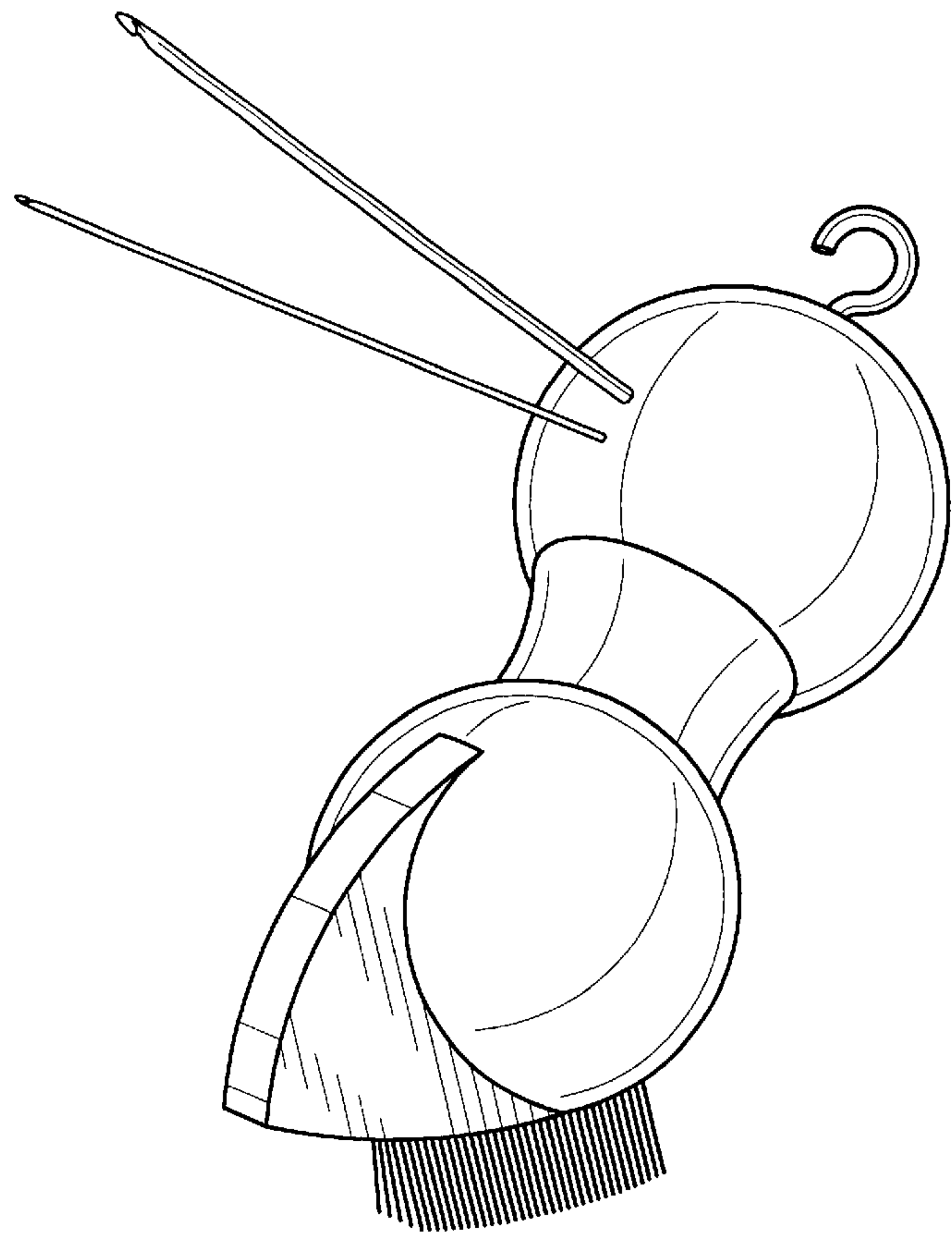


FIG. 6

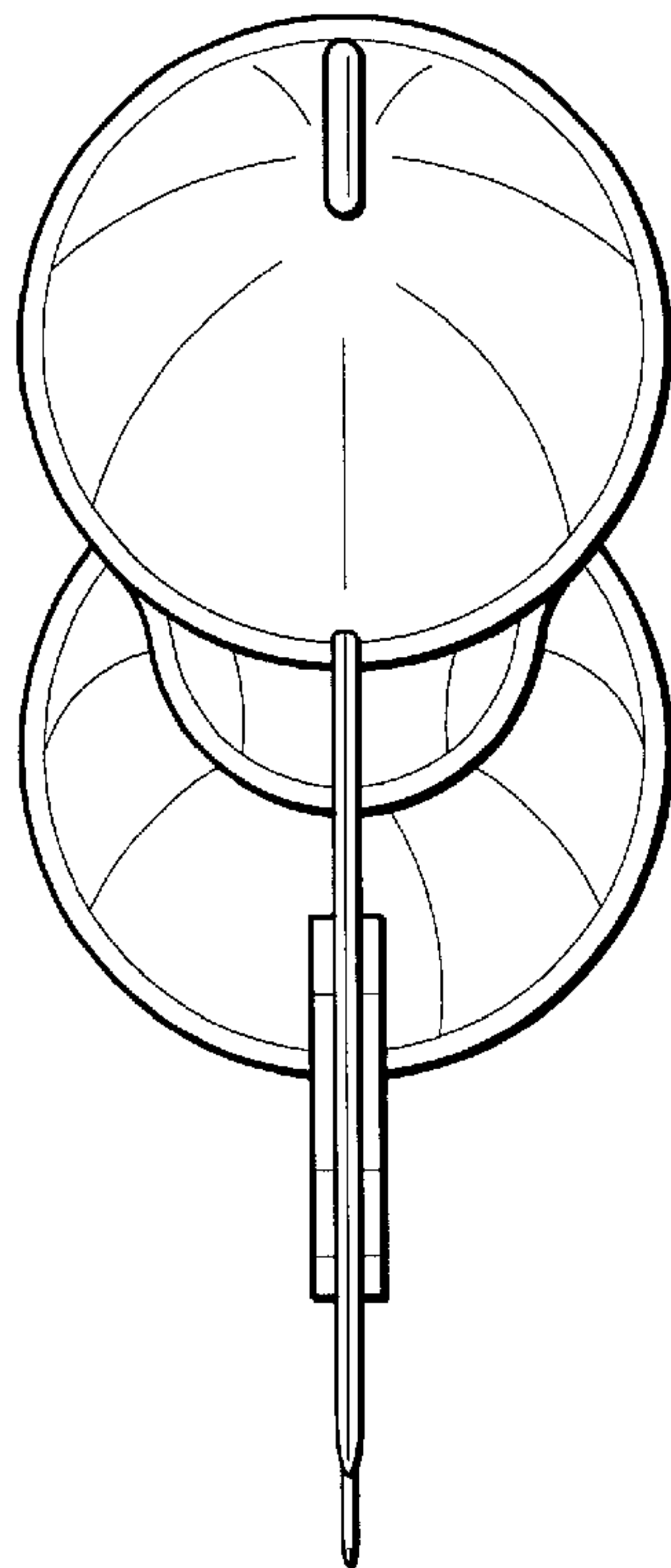


FIG. 7

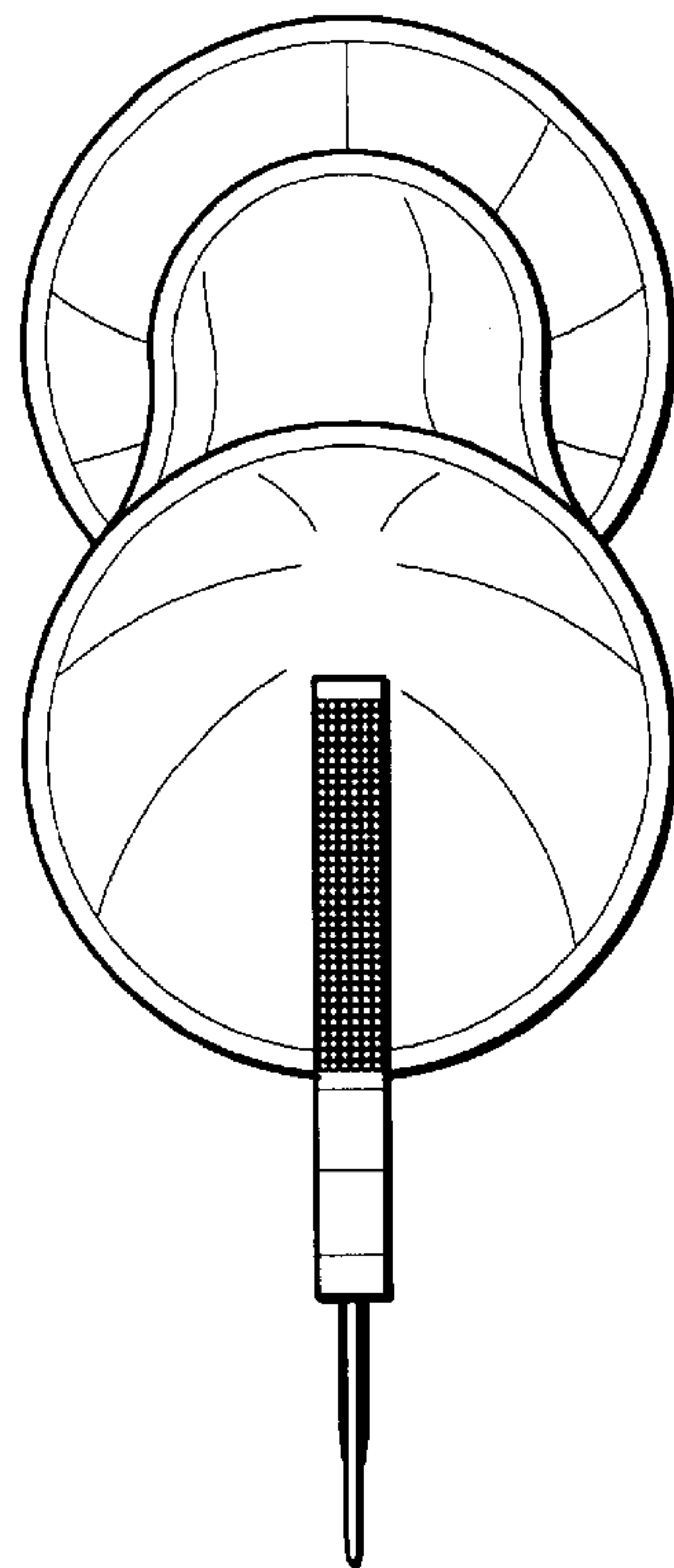


FIG.3

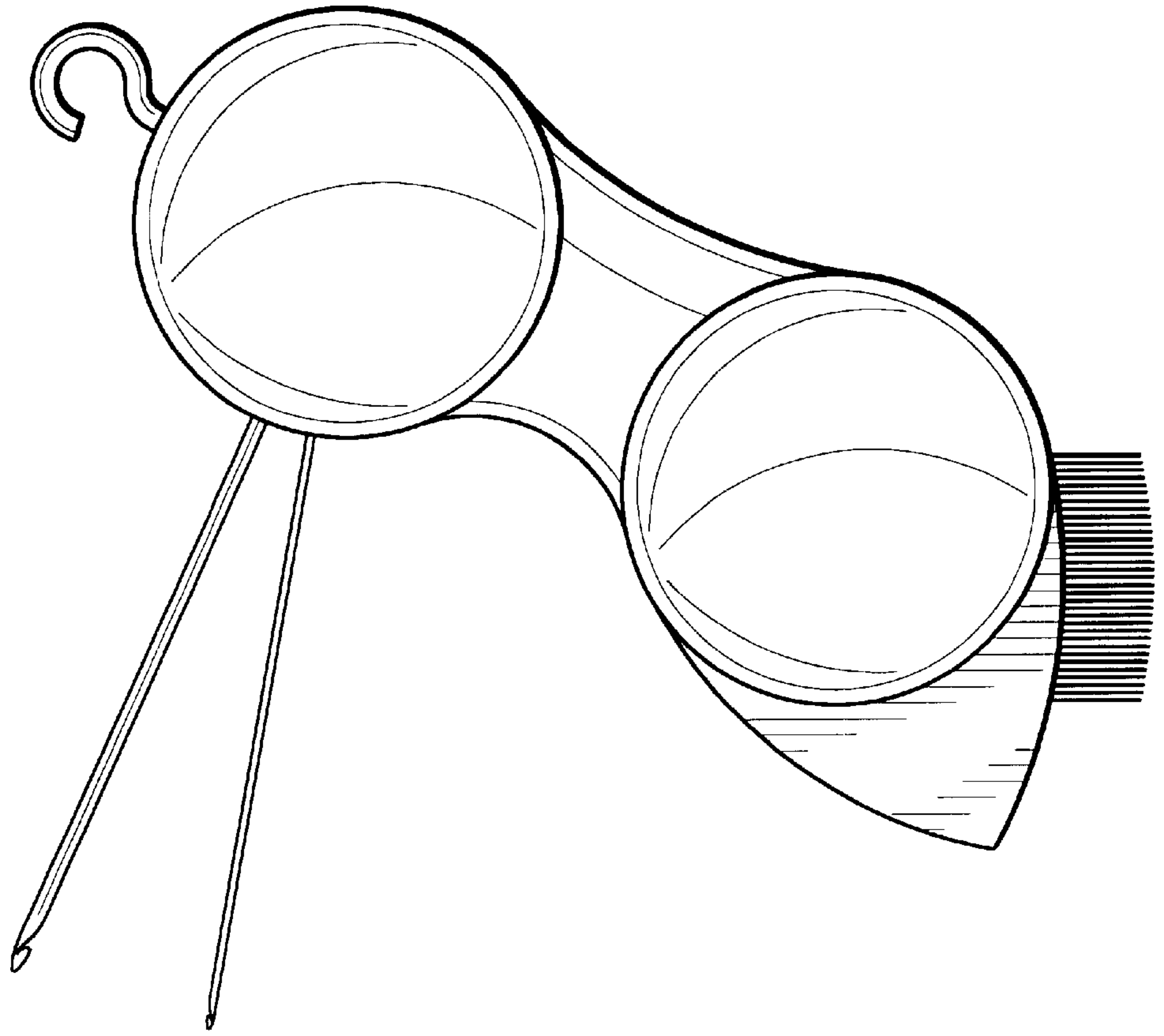


FIG.2

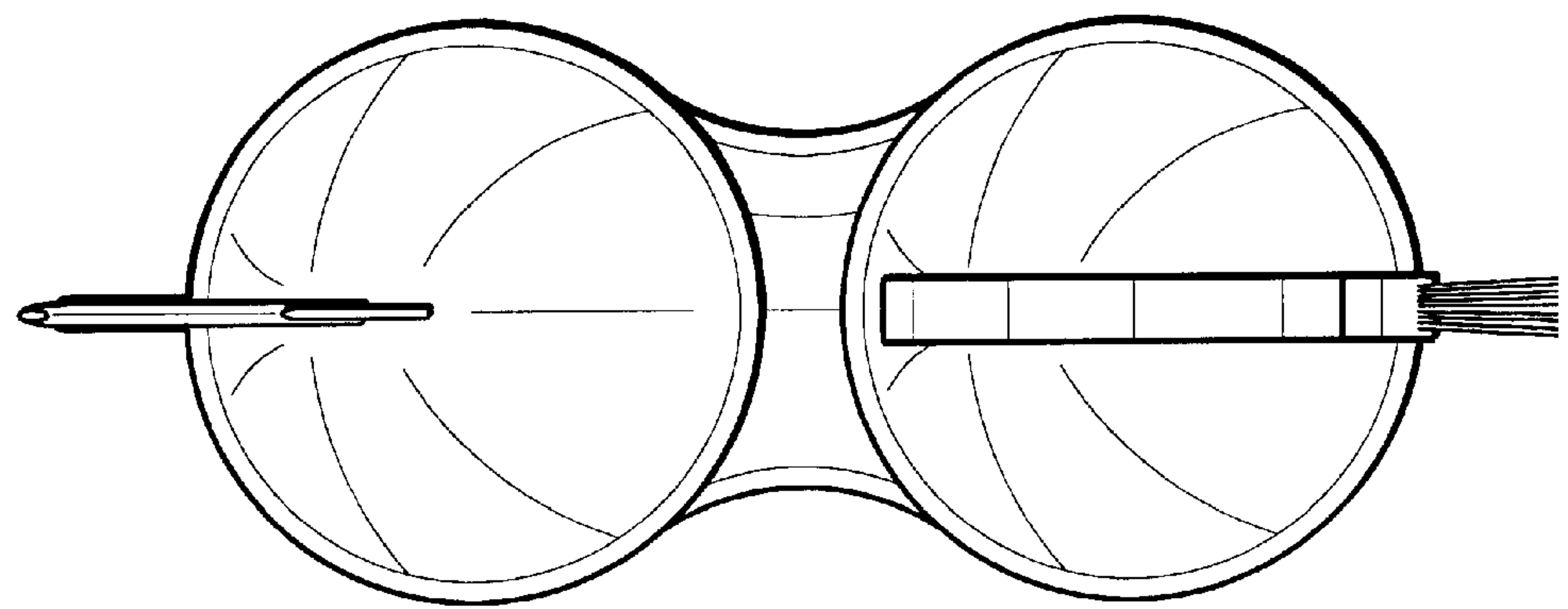


FIG.5

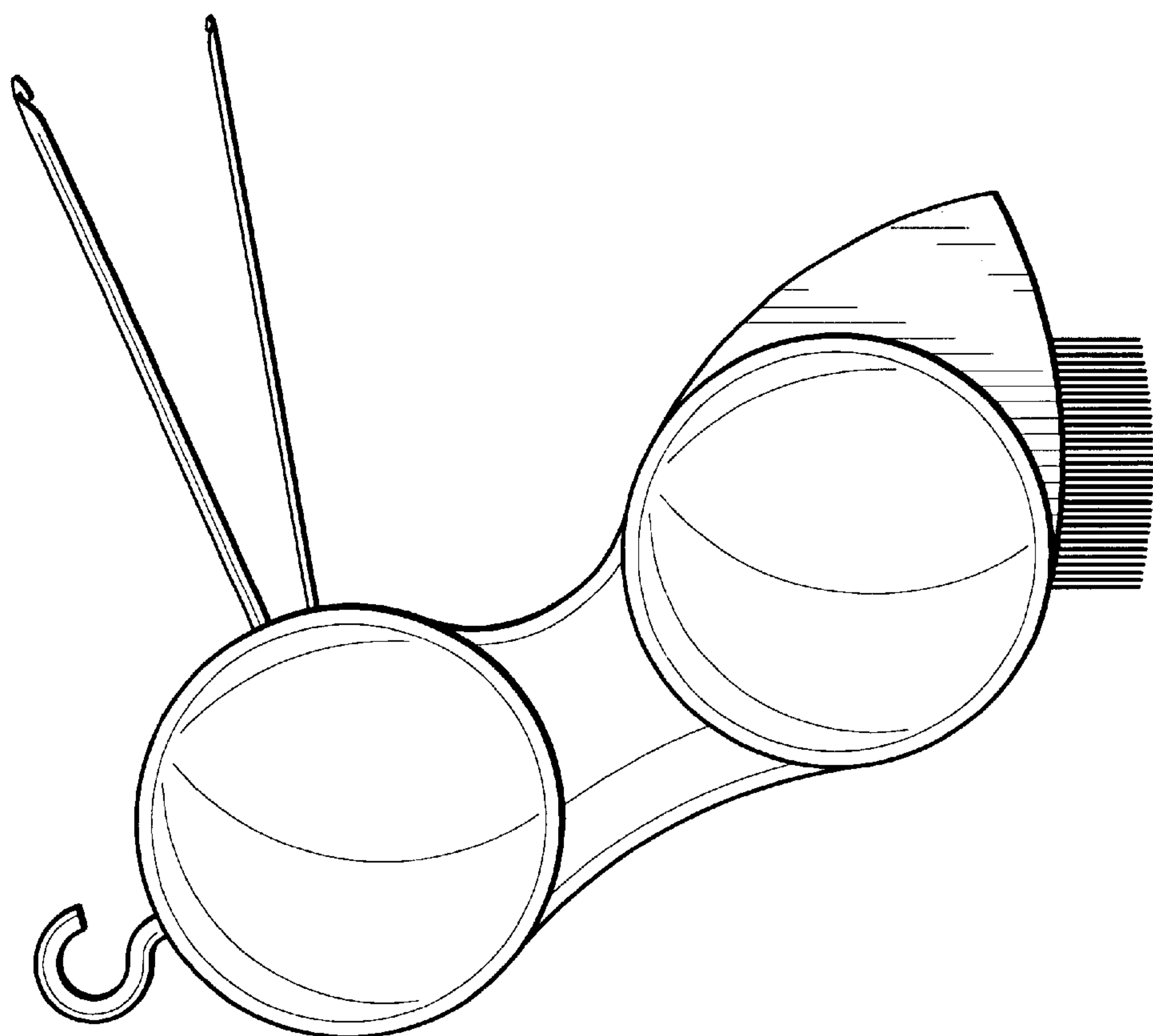


FIG.4

