



US00D473032S

(12) **United States Design Patent**
Altom

(10) **Patent No.:** **US D473,032 S**

(45) **Date of Patent:** **** Apr. 8, 2003**

(54) **MODULAR PLASTIC CONVEYOR BELT COMPONENT**

(76) **Inventor:** **Larry Altom**, 2000 Locust Grove Rd.,
Batesville, AR (US) 72501

(**) **Term:** **14 Years**

(21) **Appl. No.:** **29/154,056**

(22) **Filed:** **Jan. 15, 2002**

(51) **LOC (7) Cl.** **12-05**

(52) **U.S. Cl.** **D34/29; D8/499**

(58) **Field of Search** **D34/29, 35; D8/499;**
198/851, 838, 853, 850; 474/212

(56) **References Cited**

U.S. PATENT DOCUMENTS

D202,814 S	*	11/1965	Hall	D34/29
D289,608 S	*	5/1987	Schroeder et al.	D8/499
D291,777 S	*	9/1987	Lapeyre et al.	D8/499
D292,065 S	*	9/1987	Abbestam et al.	D8/499
D299,424 S	*	1/1989	Schroeder et al.	D8/499
D299,425 S	*	1/1989	Schroeder et al.	D8/499
4,832,187 A	*	5/1989	Lapeyre	198/851
D307,707 S	*	5/1990	Abbestam et al.	D8/499

5,174,438 A	*	12/1992	Wiham et al.	198/851
D411,363 S	*	6/1999	Black et al.	D34/29
D419,742 S	*	1/2000	Abbestam	D34/29
D427,898 S	*	7/2000	Loh	D8/499

* cited by examiner

Primary Examiner—Cynthia E. Ramirez

(74) *Attorney, Agent, or Firm*—Stephen D. Carver

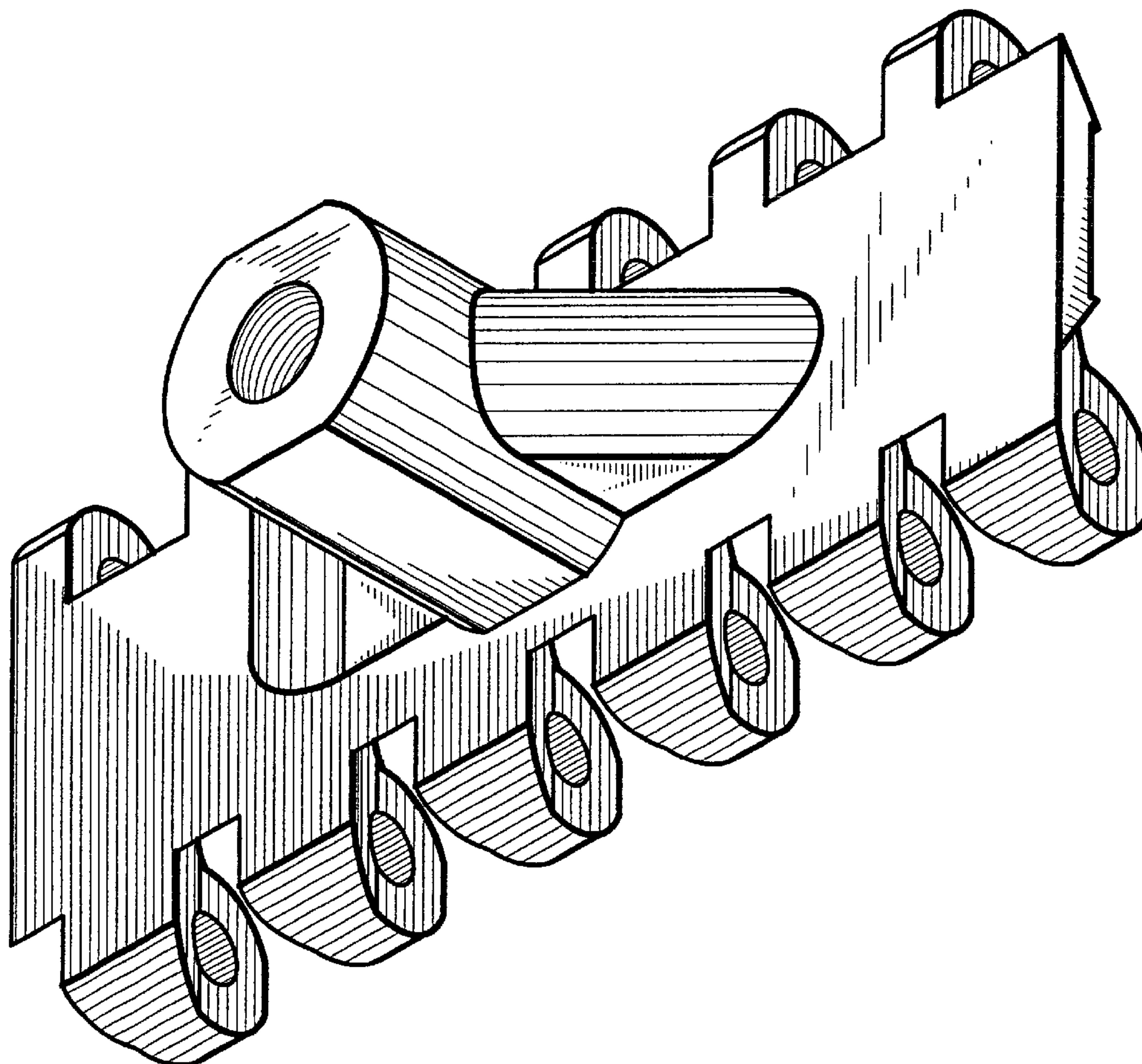
(57) **CLAIM**

The ornamental design for a modular plastic conveyor belt component, as shown.

DESCRIPTION

FIG. 1 is a top right isometric view of my new modular plastic conveyor belt component, showing my new design; FIG. 2 is a bottom isometric view thereof; FIG. 3 is a top, left isometric view thereof; FIG. 4 is a front elevational view thereof; FIG. 5 is a top plan view thereof; FIG. 6 is a bottom plan view thereof; FIG. 7 is a left end elevational view thereof; FIG. 8 is a right end elevational view thereof; and, FIG. 9 is a rear elevational view thereof.

1 Claim, 8 Drawing Sheets



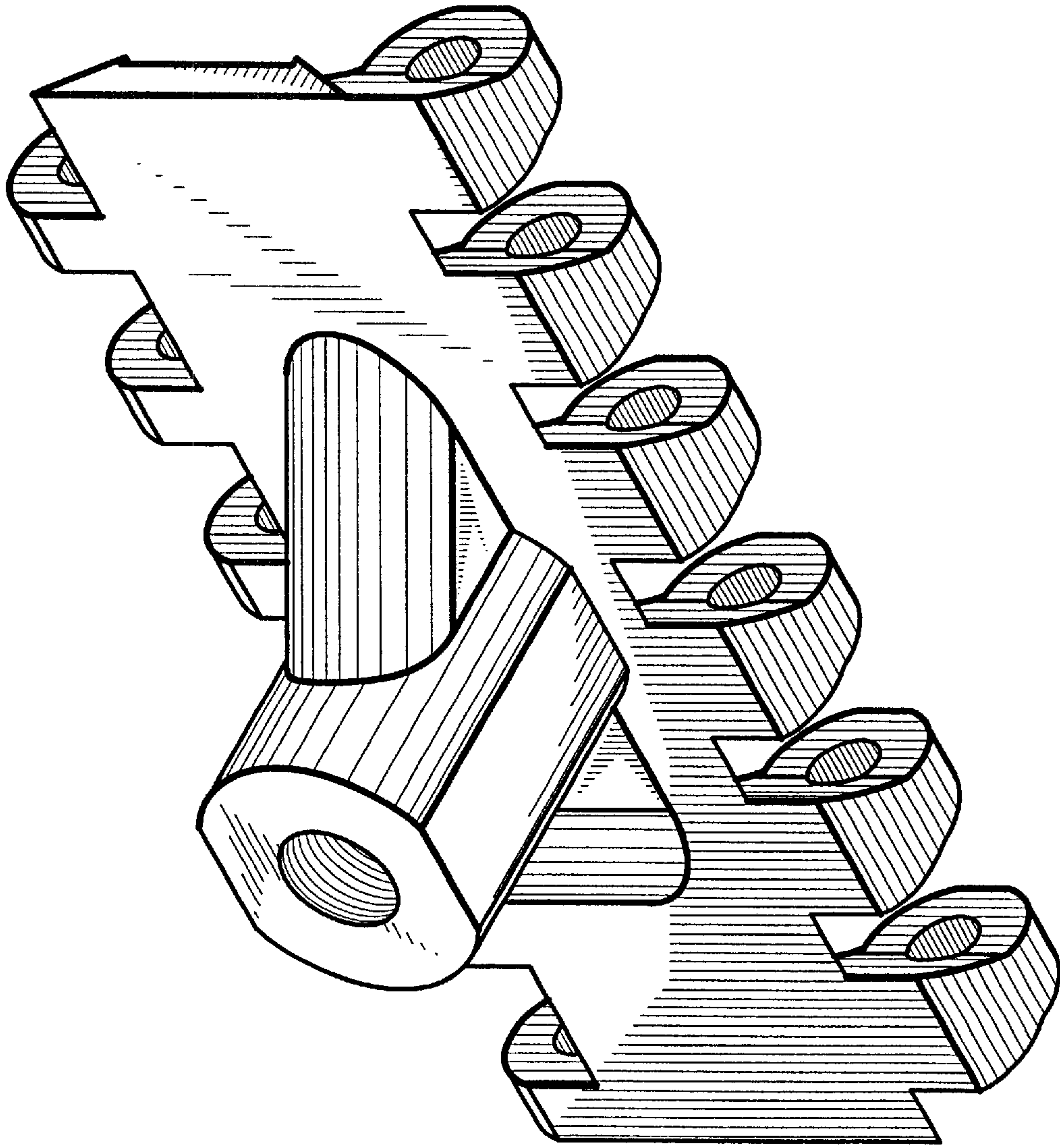


FIG. 1

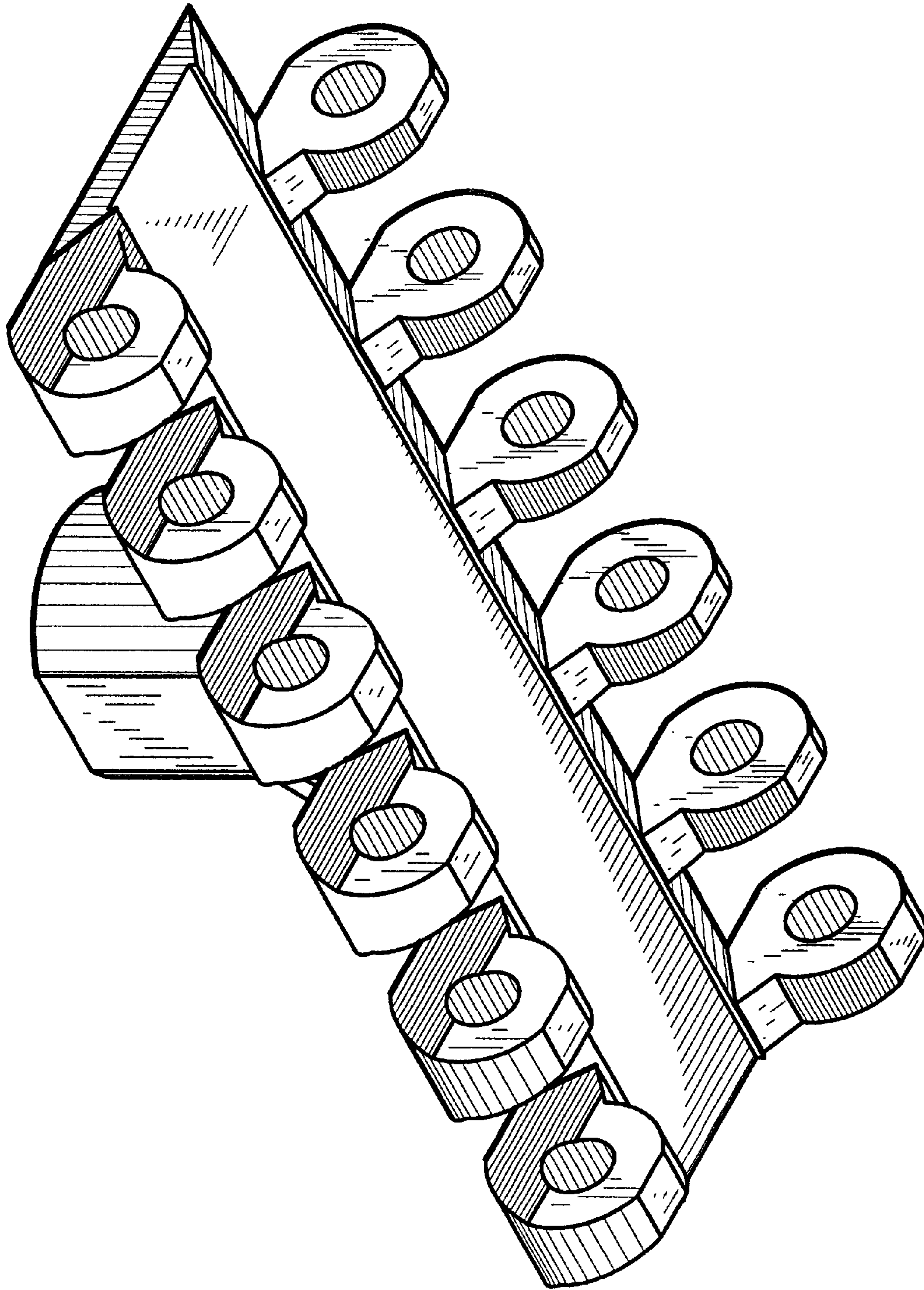


Fig. 2

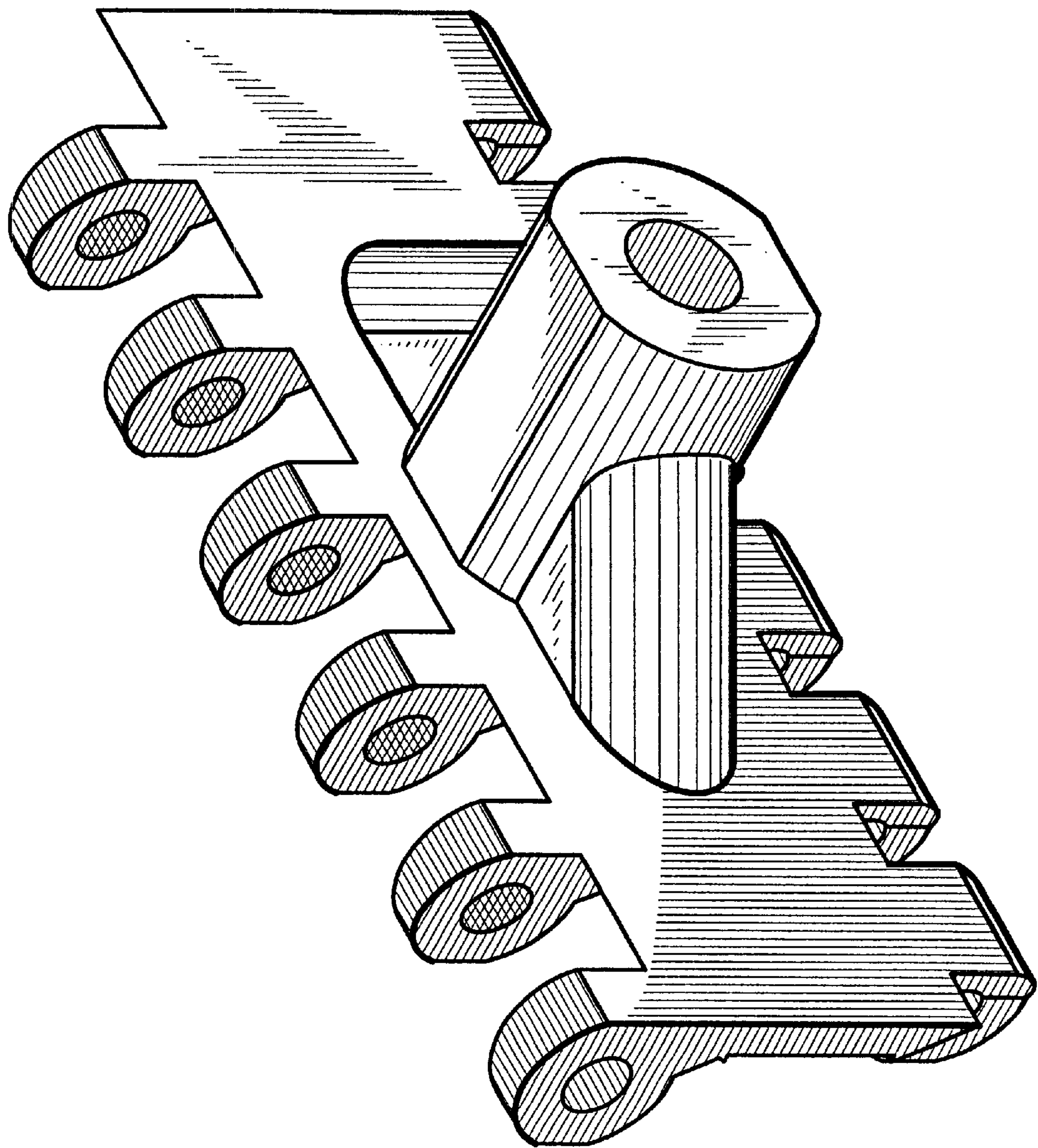


FIG. 3

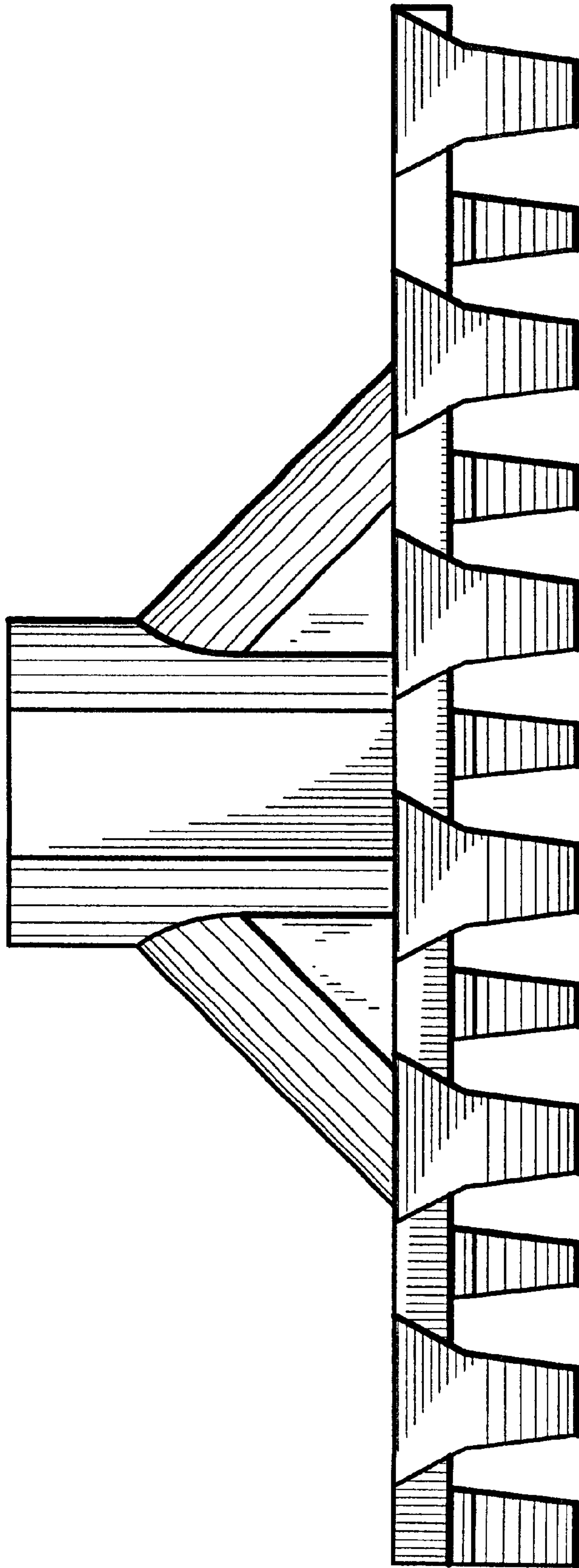


FIG. 4

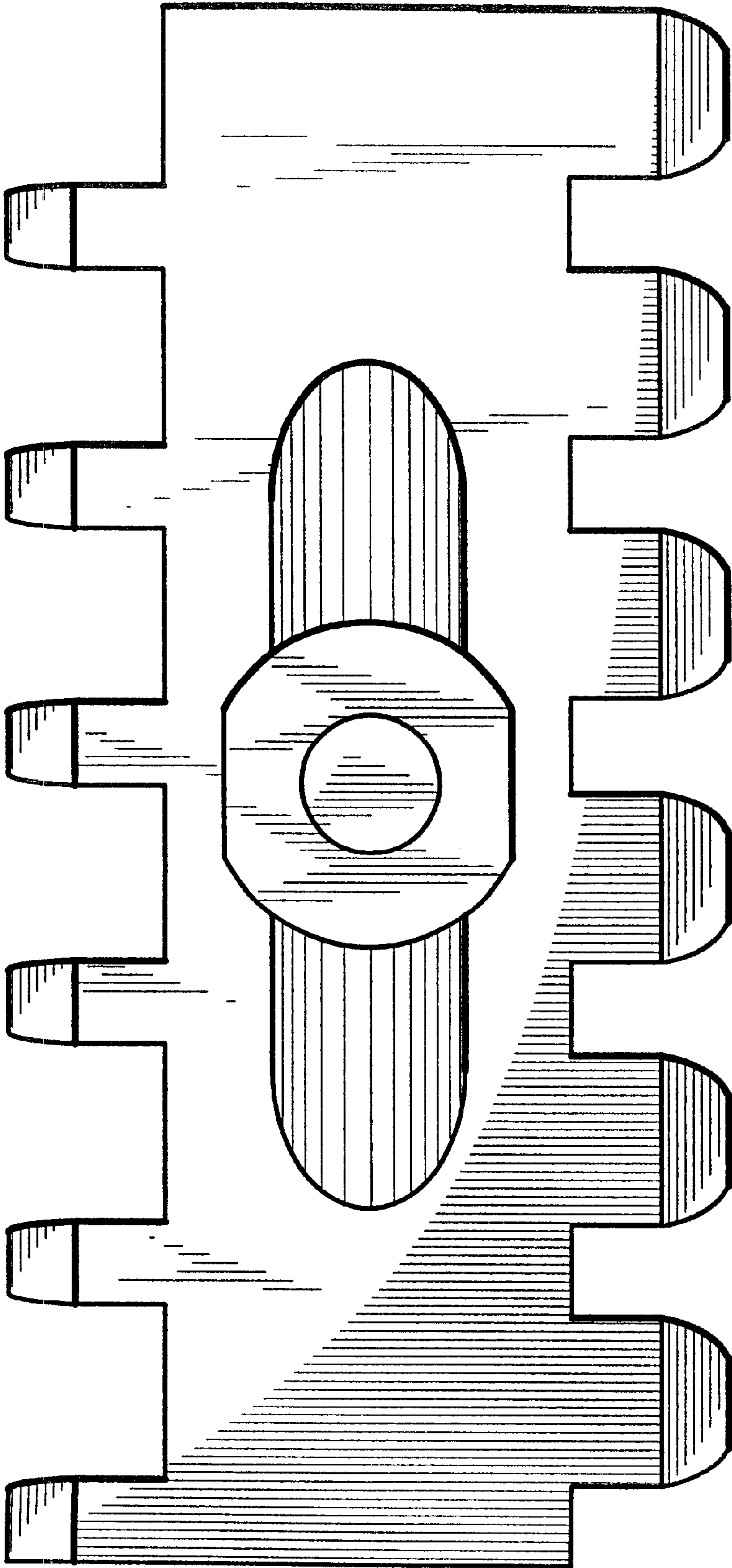


Fig. 5

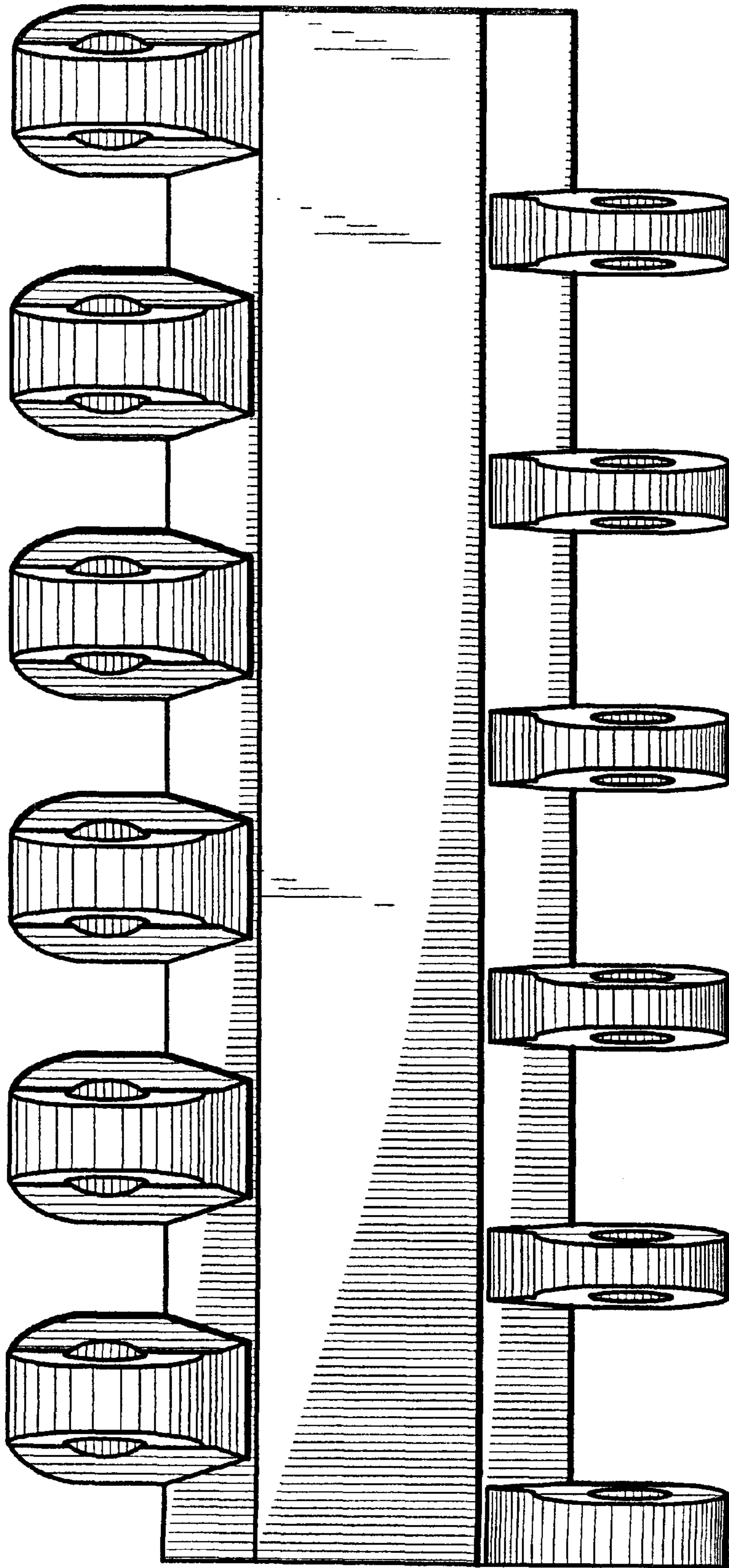


FIG. 6

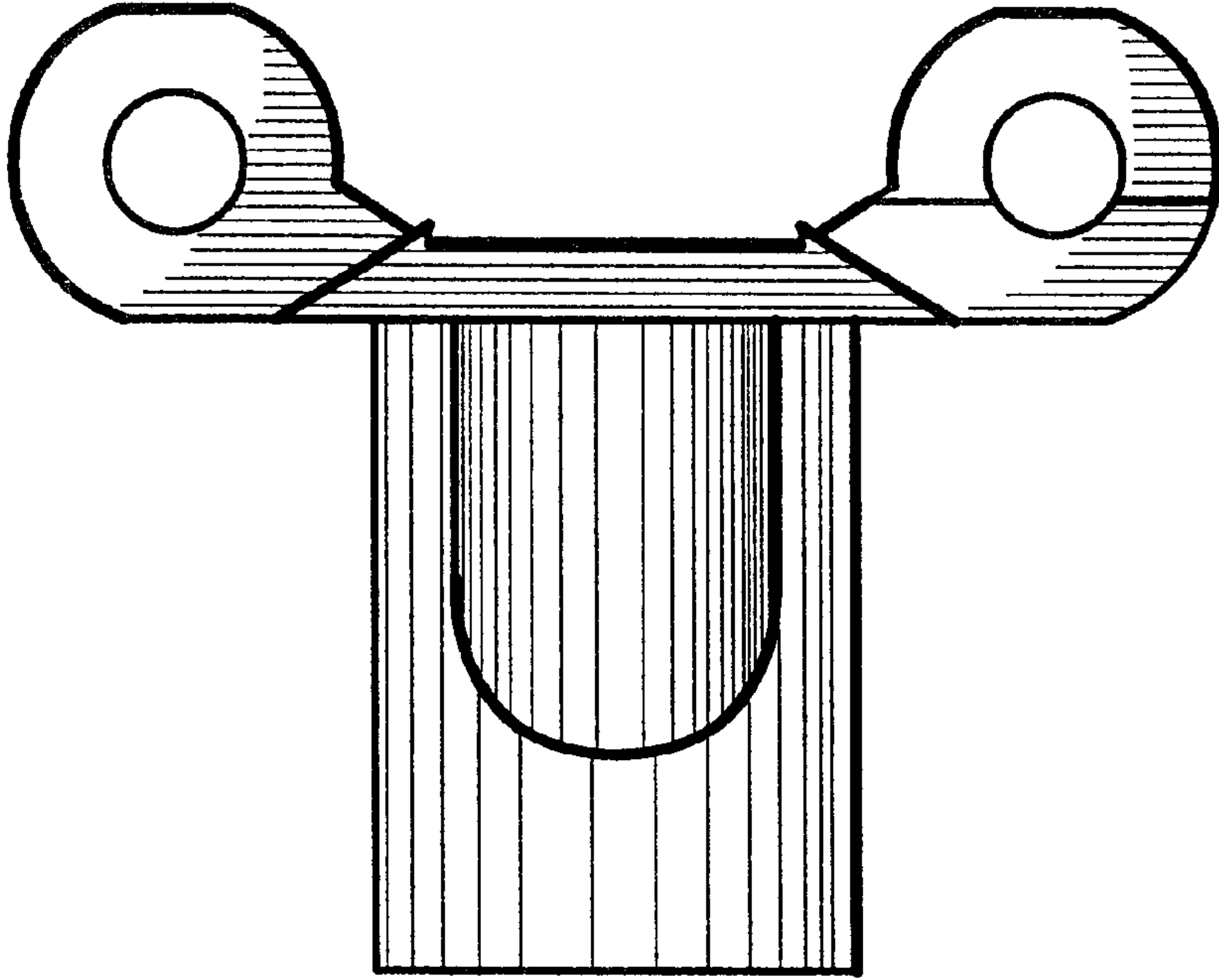


Fig. 8

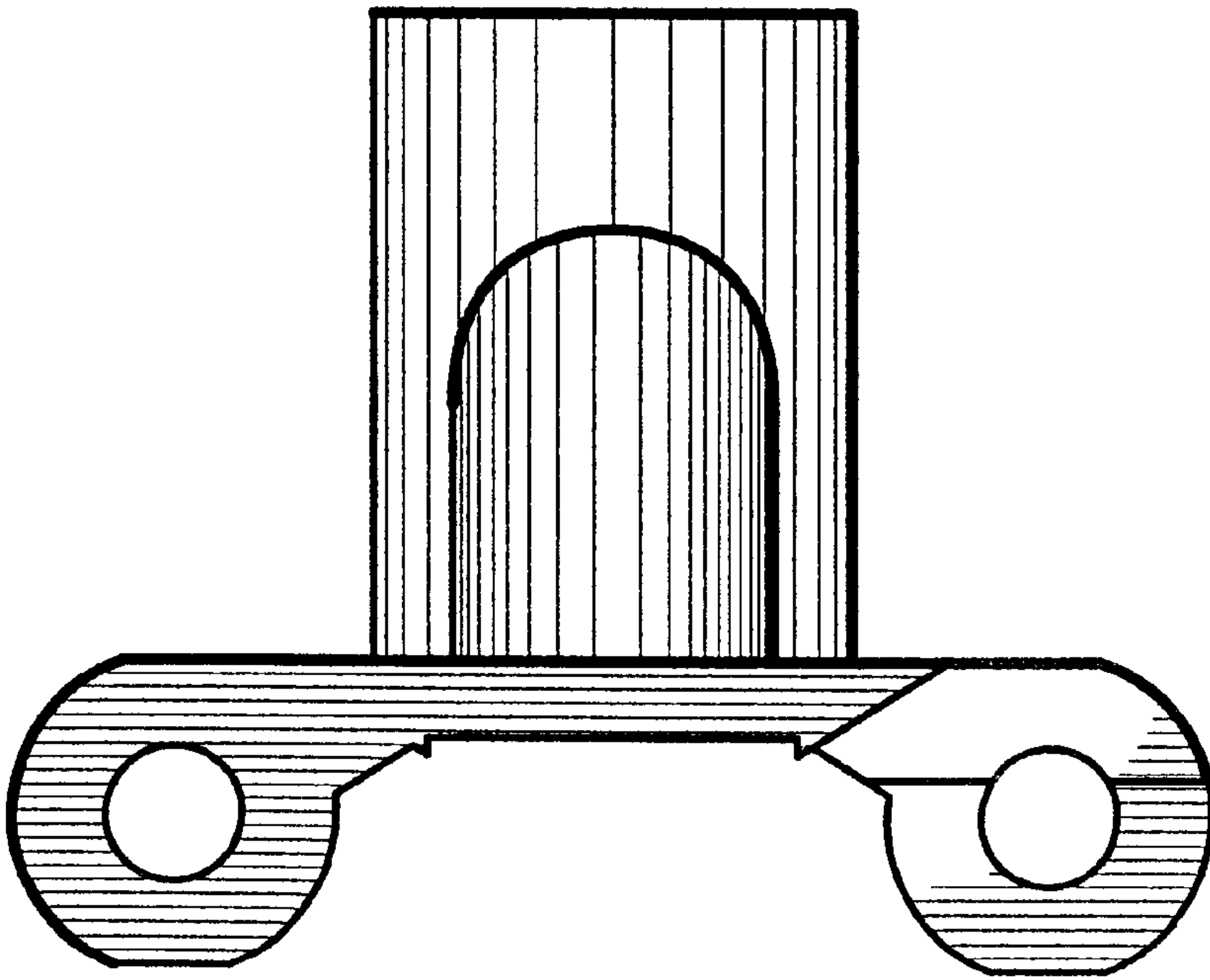


Fig. 7

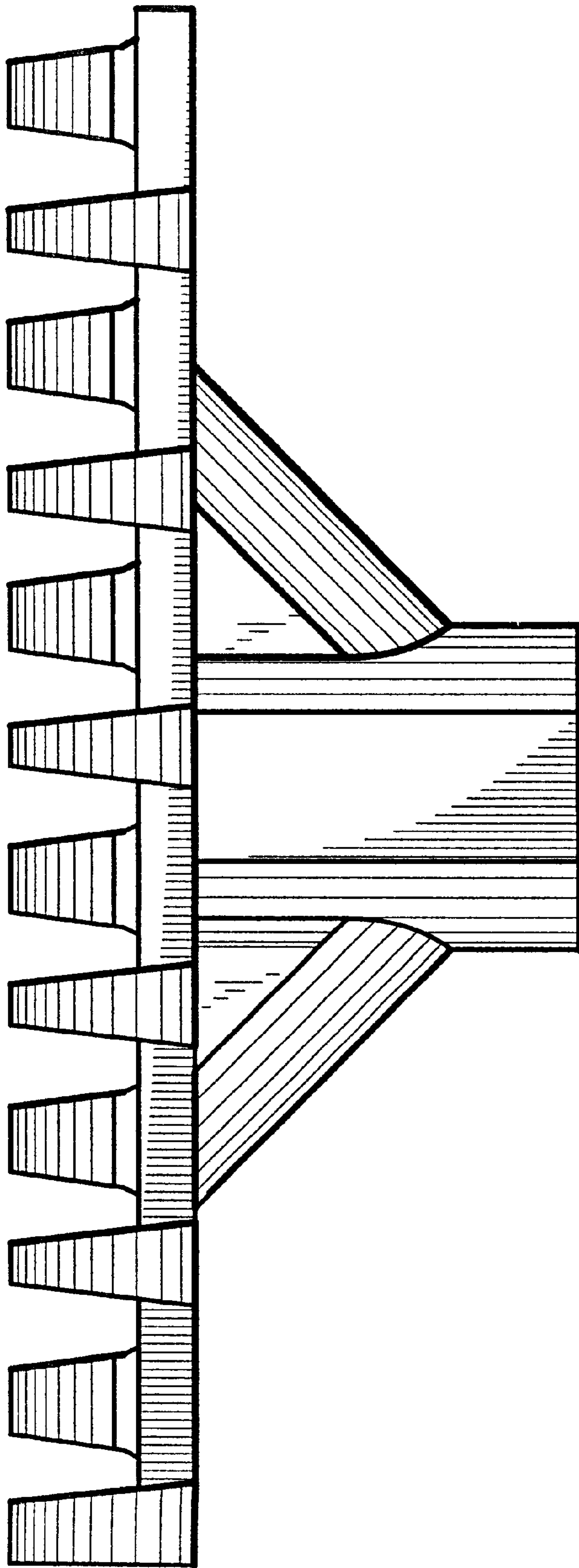


FIG. 9