



US00D473031S

(12) **United States Design Patent**
Espy

(10) **Patent No.:** **US D473,031 S**

(45) **Date of Patent:** **** Apr. 8, 2003**

(54) **LIFTING MECHANISM FOR AUTOMOBILE**

(76) **Inventor:** **Mike R. Espy**, 137 Daniel St., Santa Fe, NM (US) 87501

(**) **Term:** **14 Years**

(21) **Appl. No.:** **29/158,605**

(22) **Filed:** **Apr. 8, 2002**

(51) **LOC (7) Cl.** **12-05**

(52) **U.S. Cl.** **D34/28; D34/31**

(58) **Field of Search** **D34/31, 28; 414/426, 414/427, 428, 430, 433; 280/79.4; 254/131, 8 R, 120**

(56) **References Cited**

U.S. PATENT DOCUMENTS

4,248,494	A	2/1981	McDonald et al.	
4,804,162	A *	2/1989	Rice	280/79.4
4,899,985	A *	2/1990	Good	254/8 R
5,049,025	A *	9/1991	Roman	414/426
5,324,003	A	6/1994	Rasmussen	
5,441,237	A	8/1995	Sweeney	
D416,120	S *	11/1999	Campolito	D34/28
6,361,023	B1 *	3/2002	Peavler	254/131

D456,583 S * 4/2002 Schmidt D34/28
6,464,207 B2 * 10/2002 Creel et al. 254/131

* cited by examiner

Primary Examiner—Cynthia E. Ramirez
(74) *Attorney, Agent, or Firm*—Donald R. Schoonover

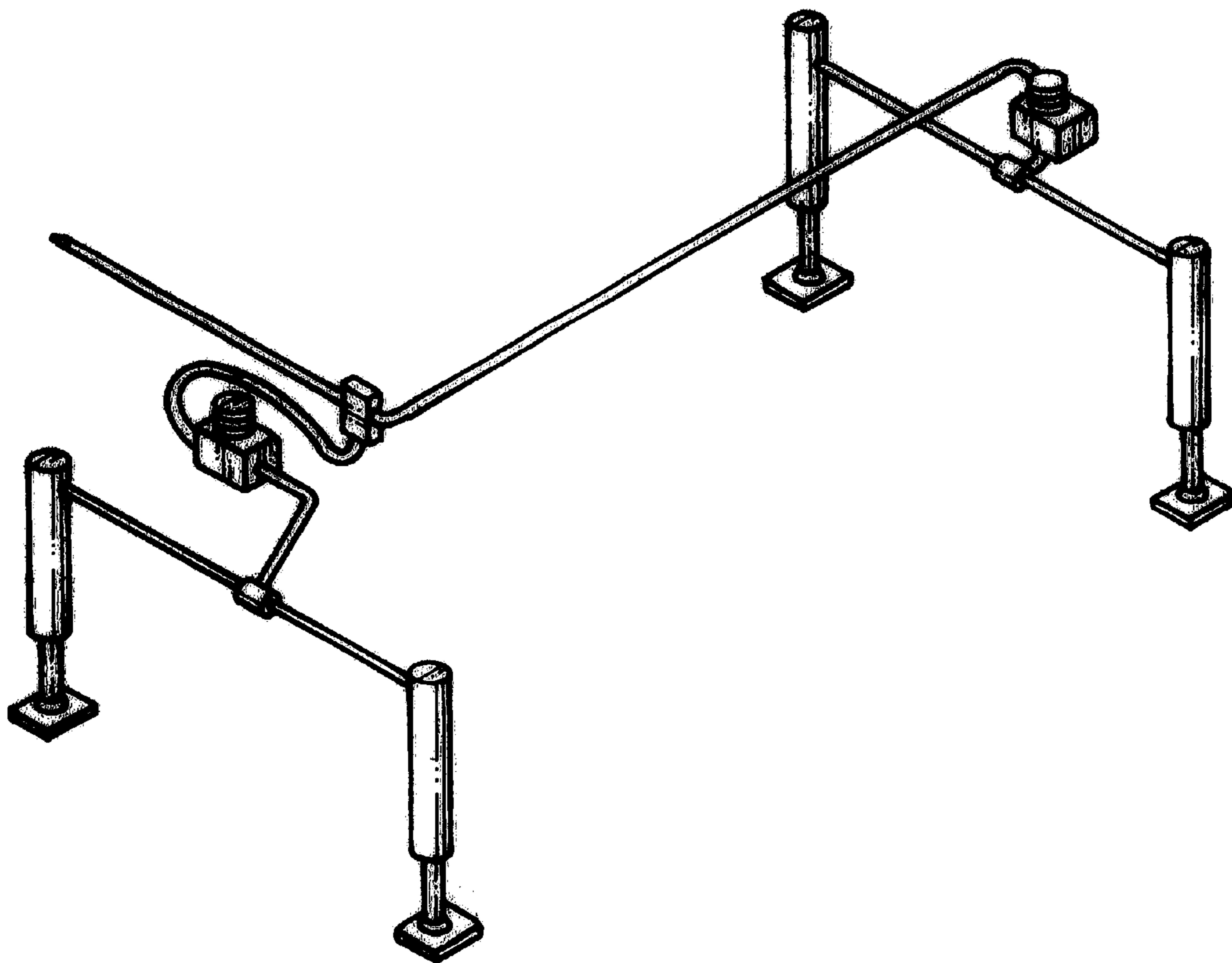
(57) **CLAIM**

I claim the ornamental design for a lifting mechanism for automobile, as shown and described.

DESCRIPTION

FIG. 1 is a perspective view of a lifting mechanism for automobile embodying the design of the present invention. FIG. 2 is a front elevational view thereof; FIG. 3 is a rear elevational view thereof; FIG. 4 is a left side elevational view thereof showing the lifting mechanism for automobile in use; the broken line showing of environment is for illustrative purposes only and forms no part of the claimed design. FIG. 5 is a right side elevational view thereof, the left side elevational view being a mirror image thereof; FIG. 6 is a top plan view thereof; and, FIG. 7 is a bottom plan view thereof.

1 Claim, 4 Drawing Sheets



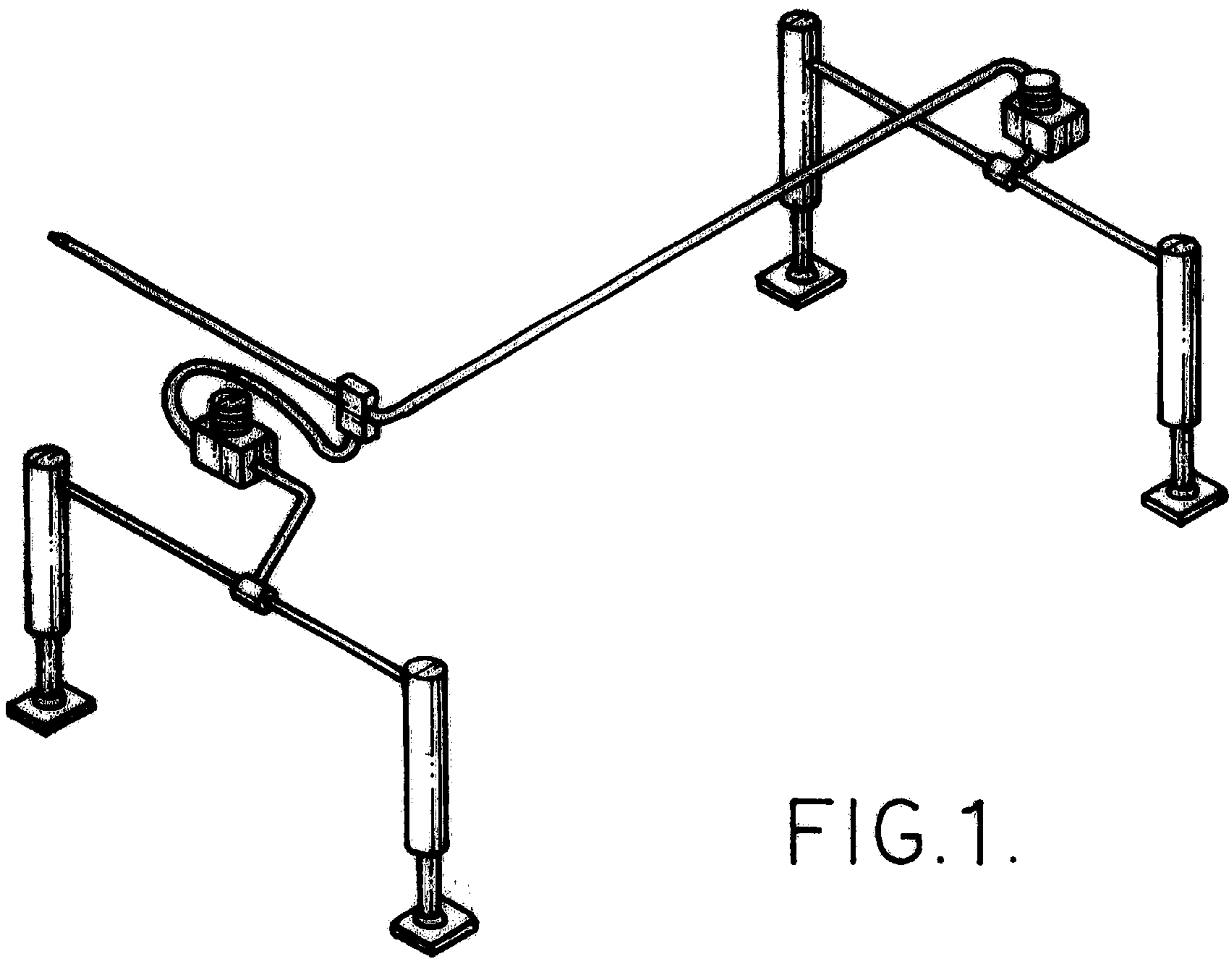


FIG.1.

FIG. 2.

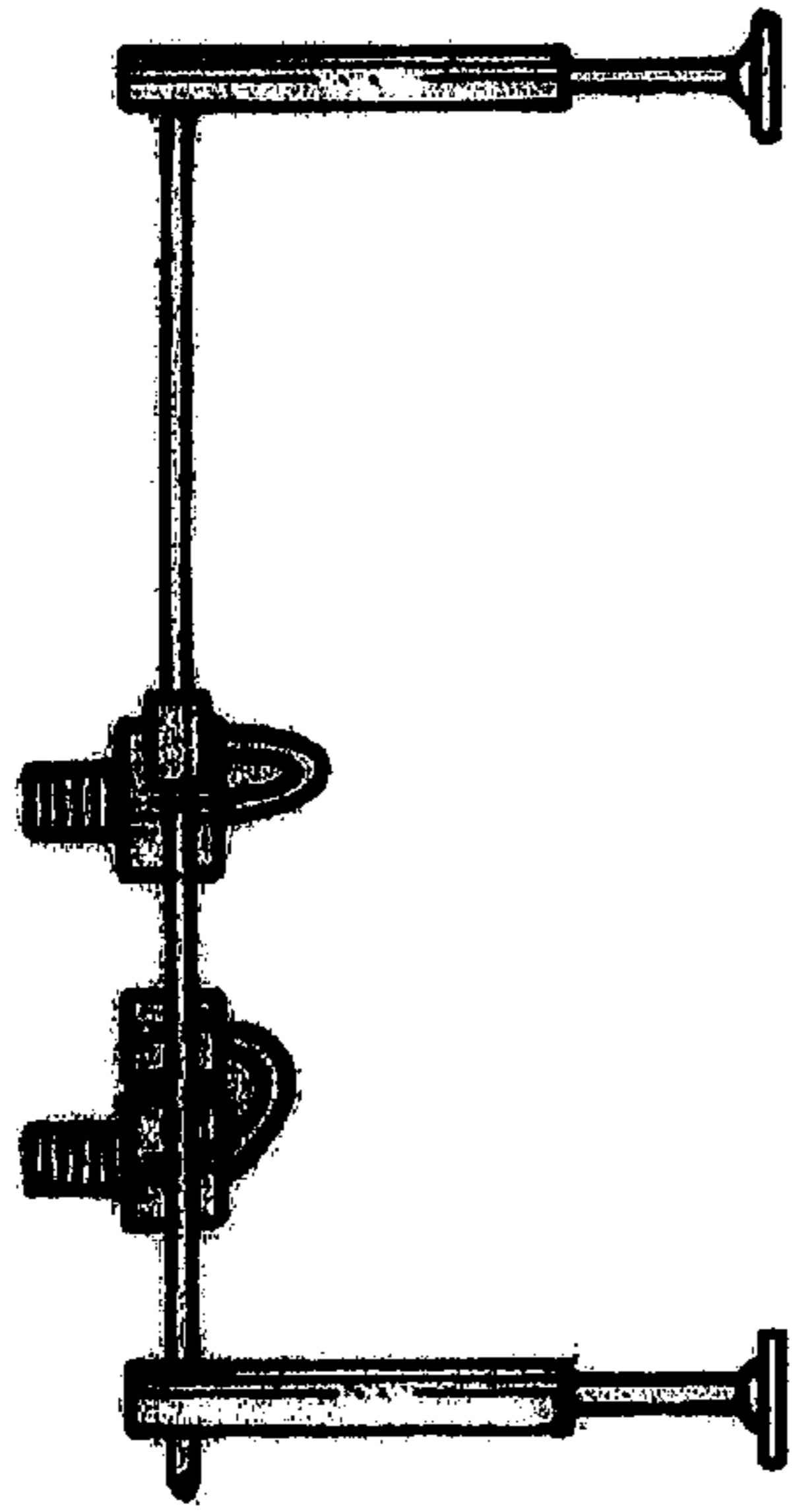
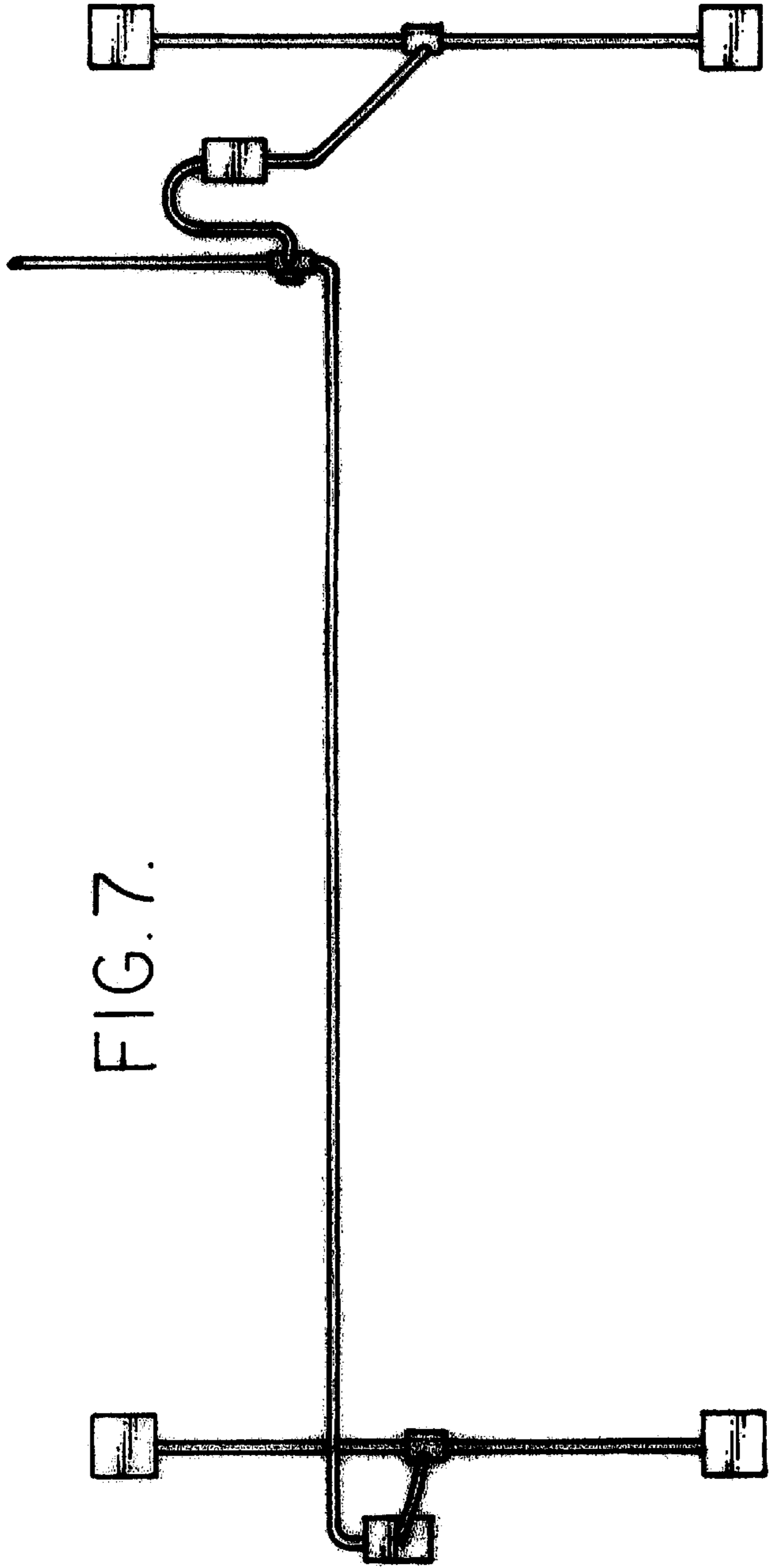


FIG. 7.



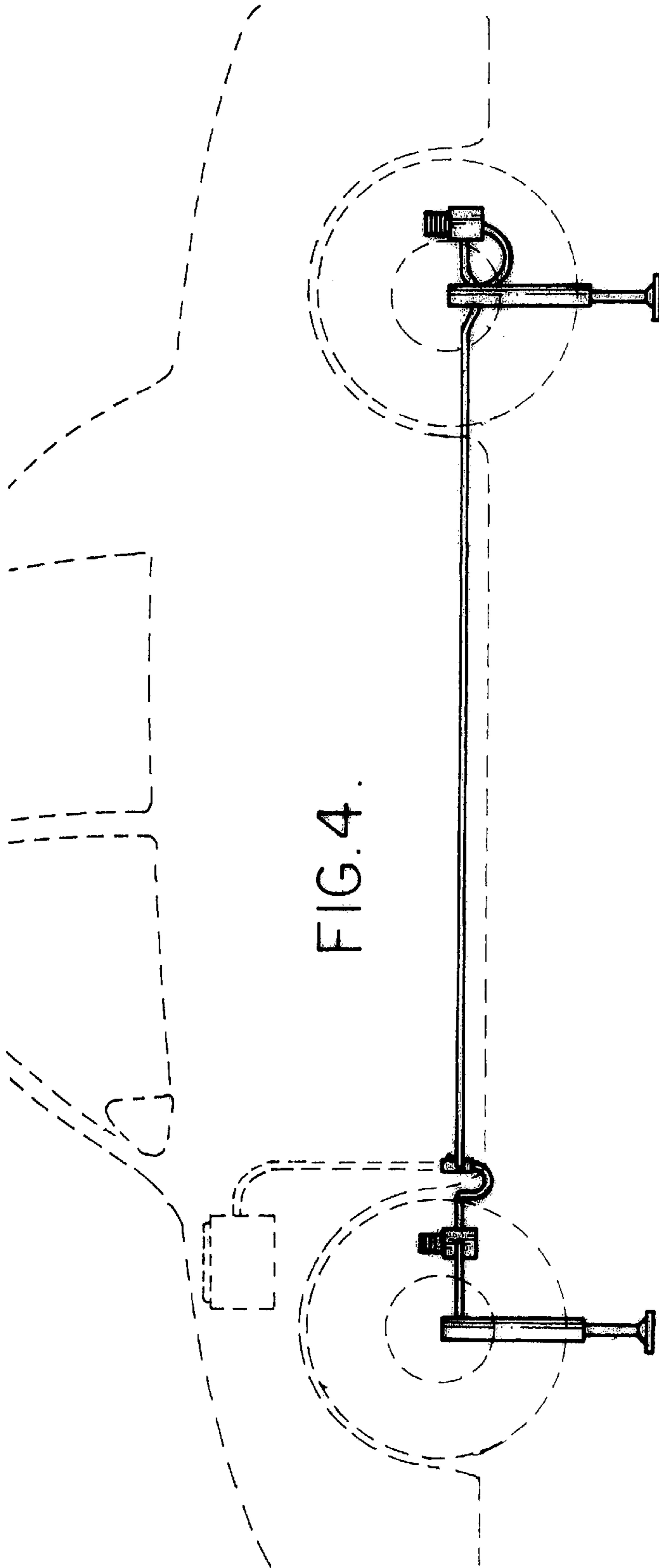


FIG. 4.

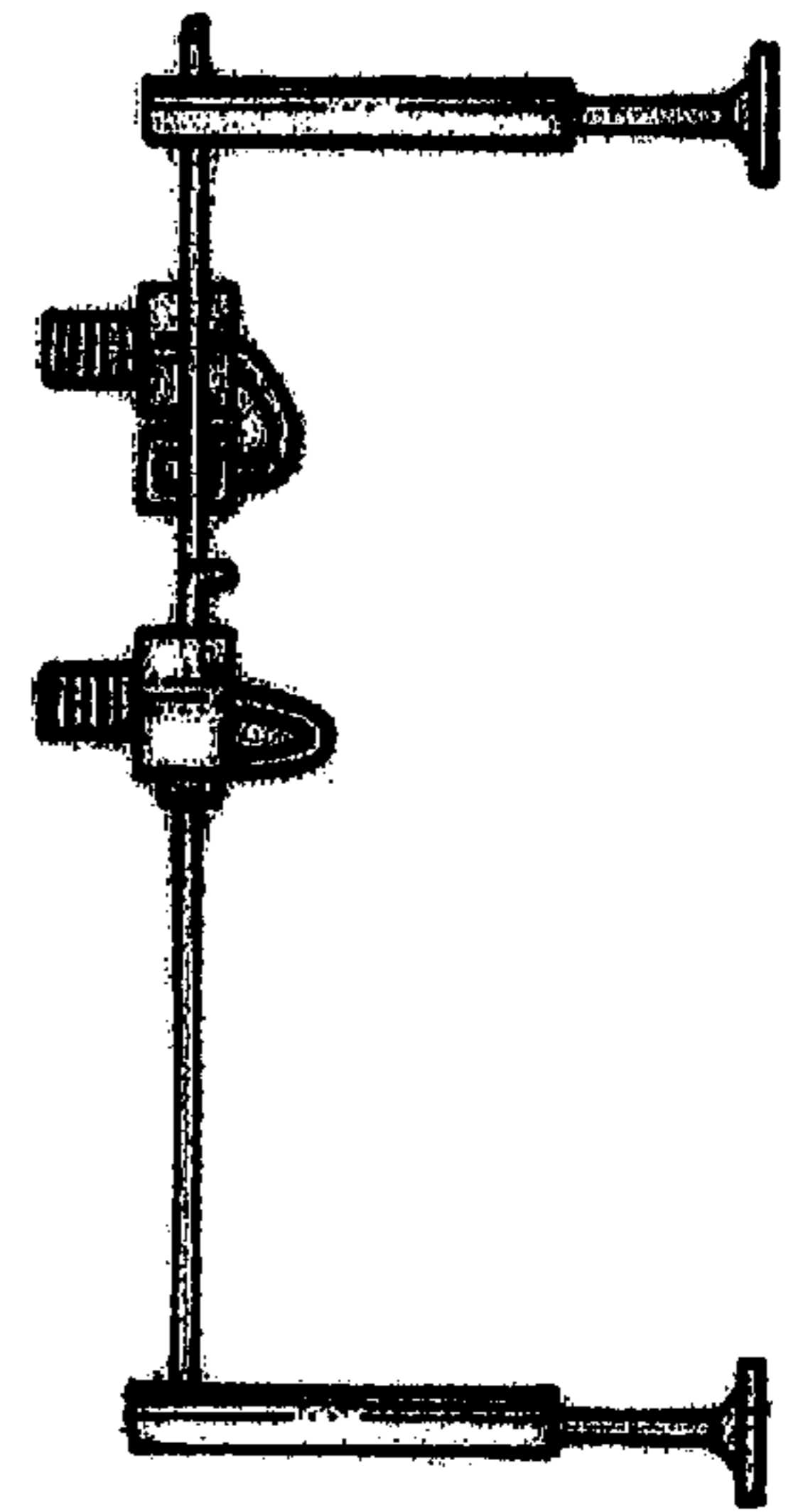


FIG. 3.

