



US00D473024S

(12) **United States Design Patent**
Griffin et al.

(10) **Patent No.:** **US D473,024 S**

(45) **Date of Patent:** **** Apr. 8, 2003**

(54) **BLOWER**

(75) **Inventors:** **John Griffin**, Phoenix, AZ (US); **Craig A. Seasholtz**, Avis, PA (US); **Robert Lent Crevling**, Cogan Station, PA (US)

(73) **Assignee:** **Shop Vac Corporation**, Williamsport, PA (US)

(**) **Term:** **14 Years**

(21) **Appl. No.:** **29/153,961**

(22) **Filed:** **Jan. 14, 2002**

(51) **LOC (7) Cl.** **15-05**

(52) **U.S. Cl.** **D32/15**

(58) **Field of Search** D32/15, 21, 1;
417/234, 236, 423.1-423.2; 15/405, 327.1-327.7,
329, 330, 344-345, 410, 414

(56) **References Cited**

U.S. PATENT DOCUMENTS

2,920,337 A	1/1960	Smith	25/323
4,318,203 A *	3/1982	Sato et al.	15/405
4,404,706 A	9/1983	Loyd	15/344
4,413,371 A *	11/1983	Tuggle et al.	15/405
4,797,072 A	1/1989	Berfield et al.	417/423.3
4,836,753 A	6/1989	Berfield et al.	417/236
4,880,364 A	11/1989	Berfield et al.	417/423.1
D305,816 S *	1/1990	Berfield et al.	D32/15
4,947,513 A	8/1990	Everts	15/330
5,404,614 A *	4/1995	Stephens	15/327.2

D378,152 S	2/1997	deBlios et al.	D32/21
5,606,769 A	3/1997	Tomasiak et al.	15/327.6
5,768,749 A	6/1998	Ohi et al.	15/405
5,813,088 A *	9/1998	Wagner et al.	15/327.5
D418,264 S	12/1999	Rees	D32/19
6,055,700 A	5/2000	Holsten et al.	15/327.2
6,059,541 A *	5/2000	Beckey et al.	417/295
D444,274 S	6/2001	Griffin	D32/15
6,324,721 B2	12/2001	Doragrip	15/326
D461,604 S *	8/2002	Martin et al.	D32/15
D461,605 S	8/2002	Griffin	D32/15

* cited by examiner

Primary Examiner—Nelson C. Holtje

(74) *Attorney, Agent, or Firm*—Marshall, Gerstein & Borun

(57) **CLAIM**

The ornamental design for a “blower”, as shown and described.

DESCRIPTION

FIG. 1 is a left side perspective view taken from the front and above showing our new design;

FIG. 2 is a plan view thereof;

FIG. 3 is a left elevational view, the right elevational view being a mirror image thereof;

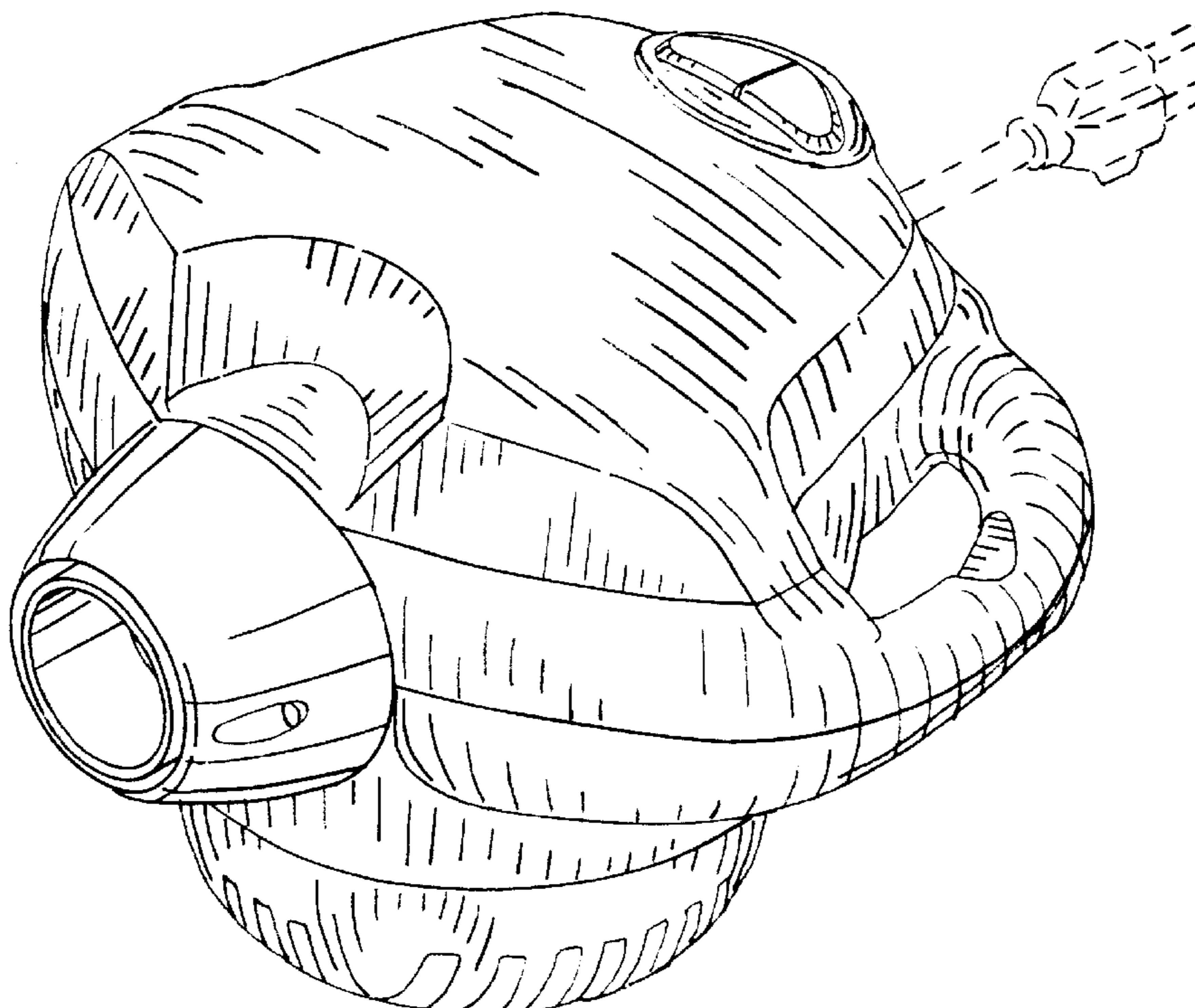
FIG. 4 is a front view thereof;

FIG. 5 is a rear view thereof; and,

FIG. 6 is a bottom view thereof.

The dashed line showing an electrical cord is for illustrative purposes only and forms no part of the claimed design.

1 Claim, 6 Drawing Sheets



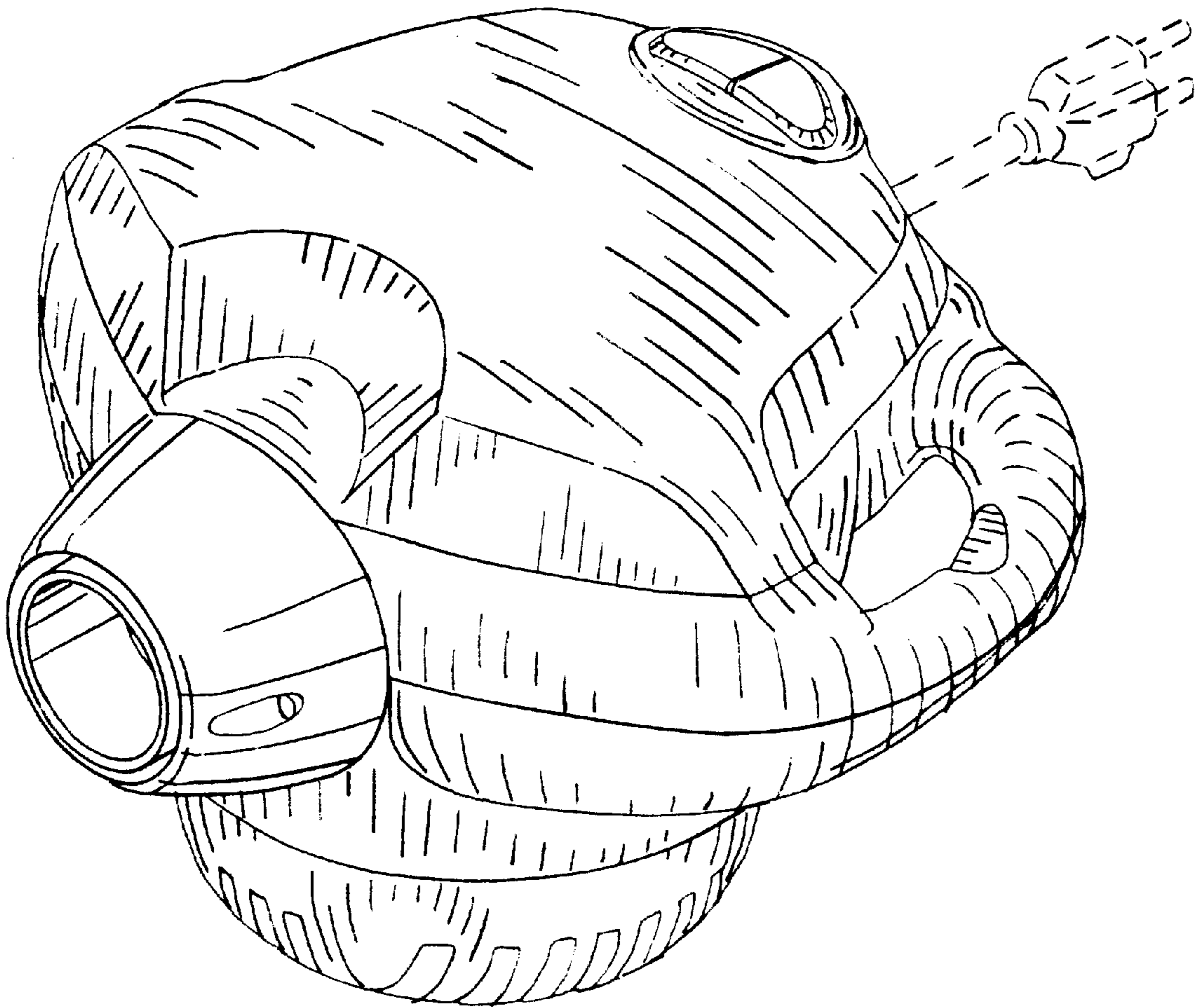


FIG. 1

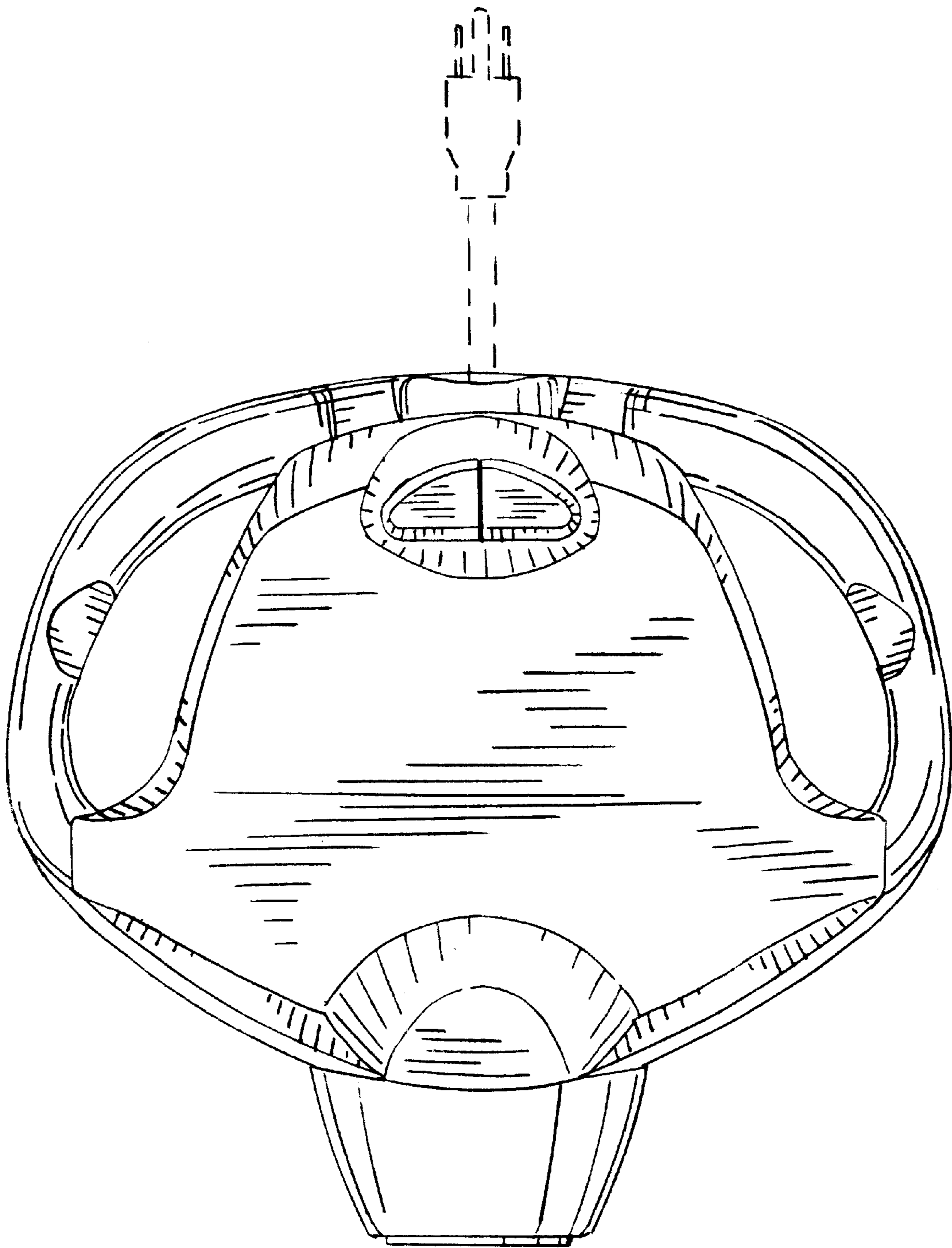


FIG. 2

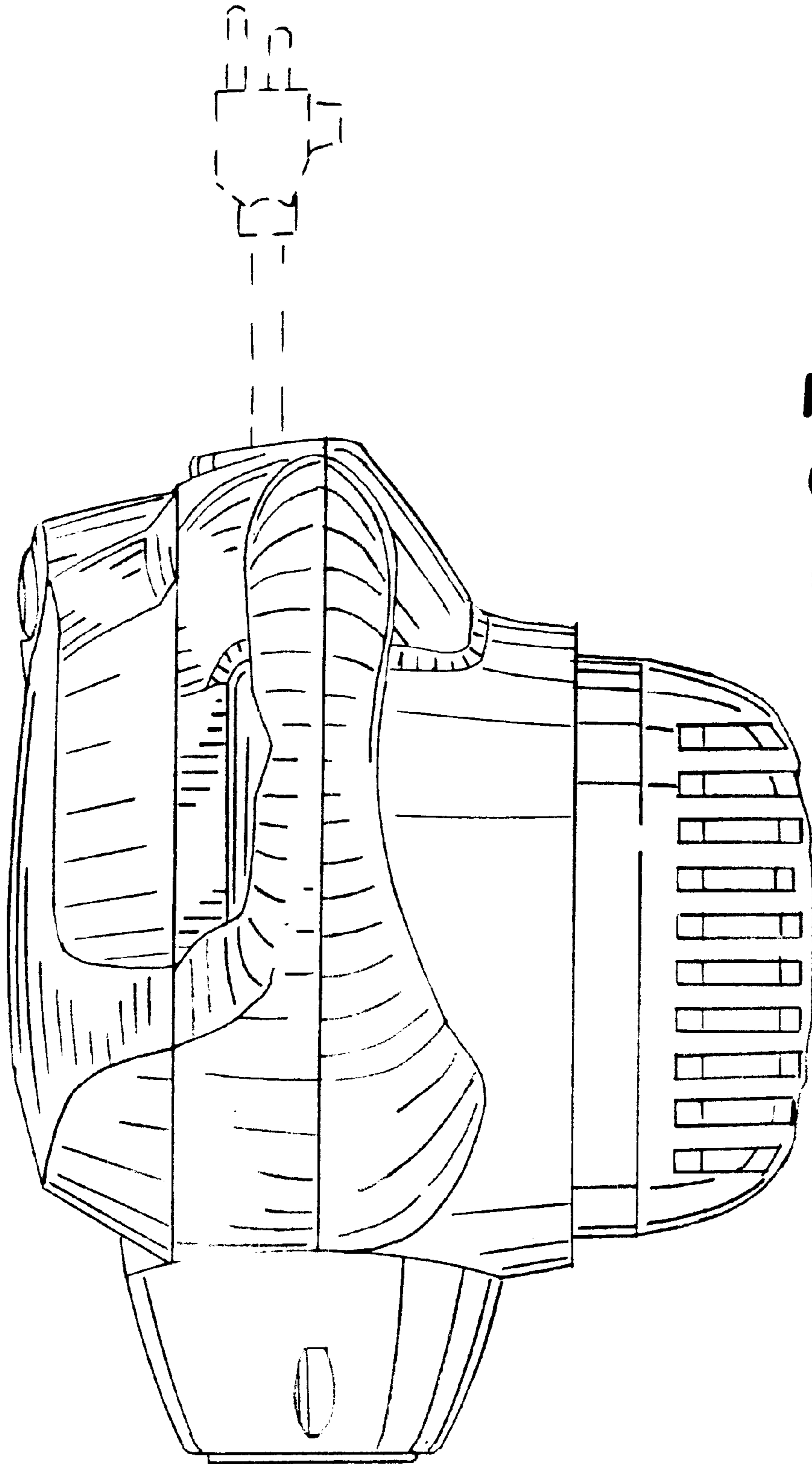


FIG. 3

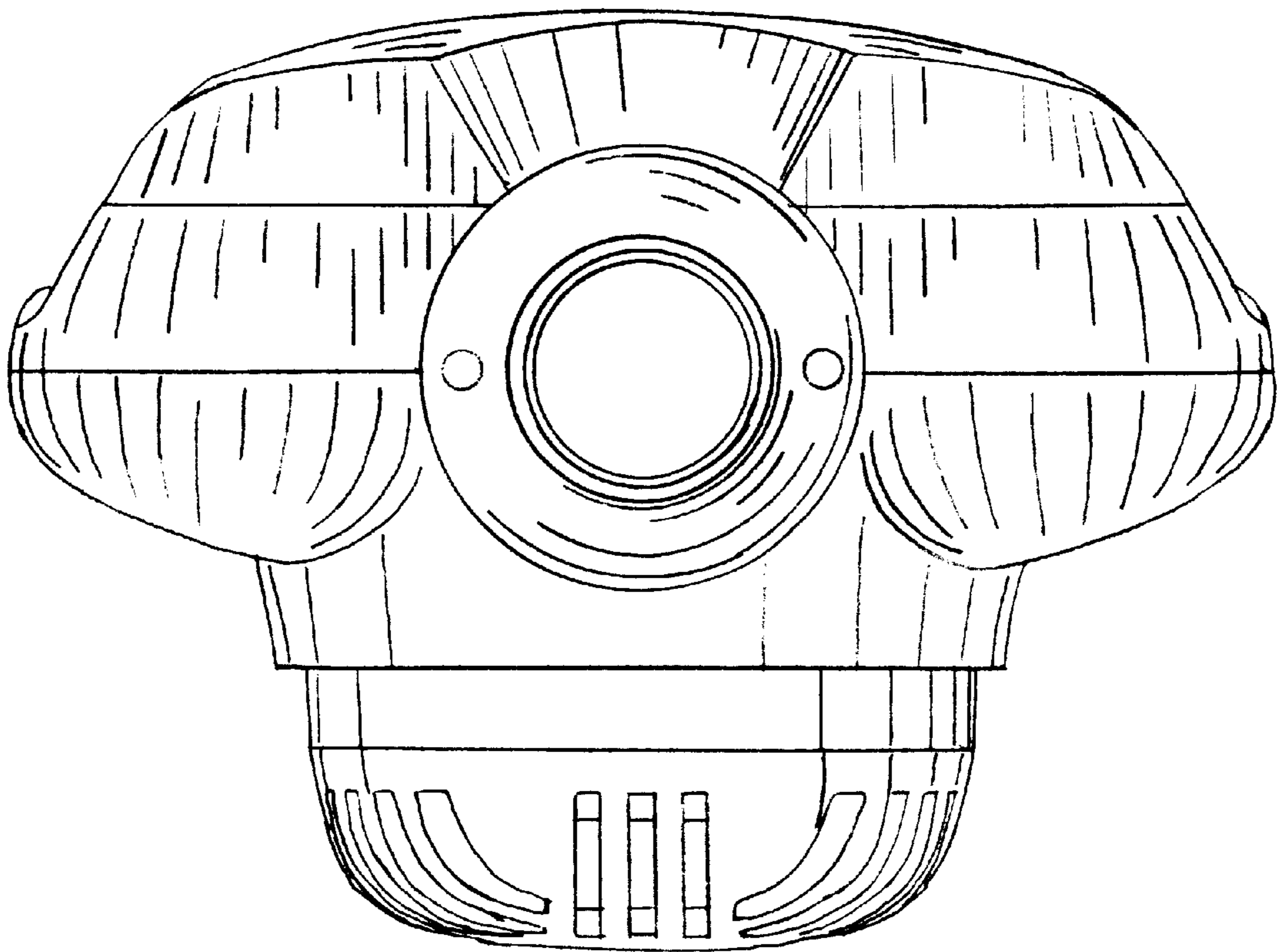


FIG.4

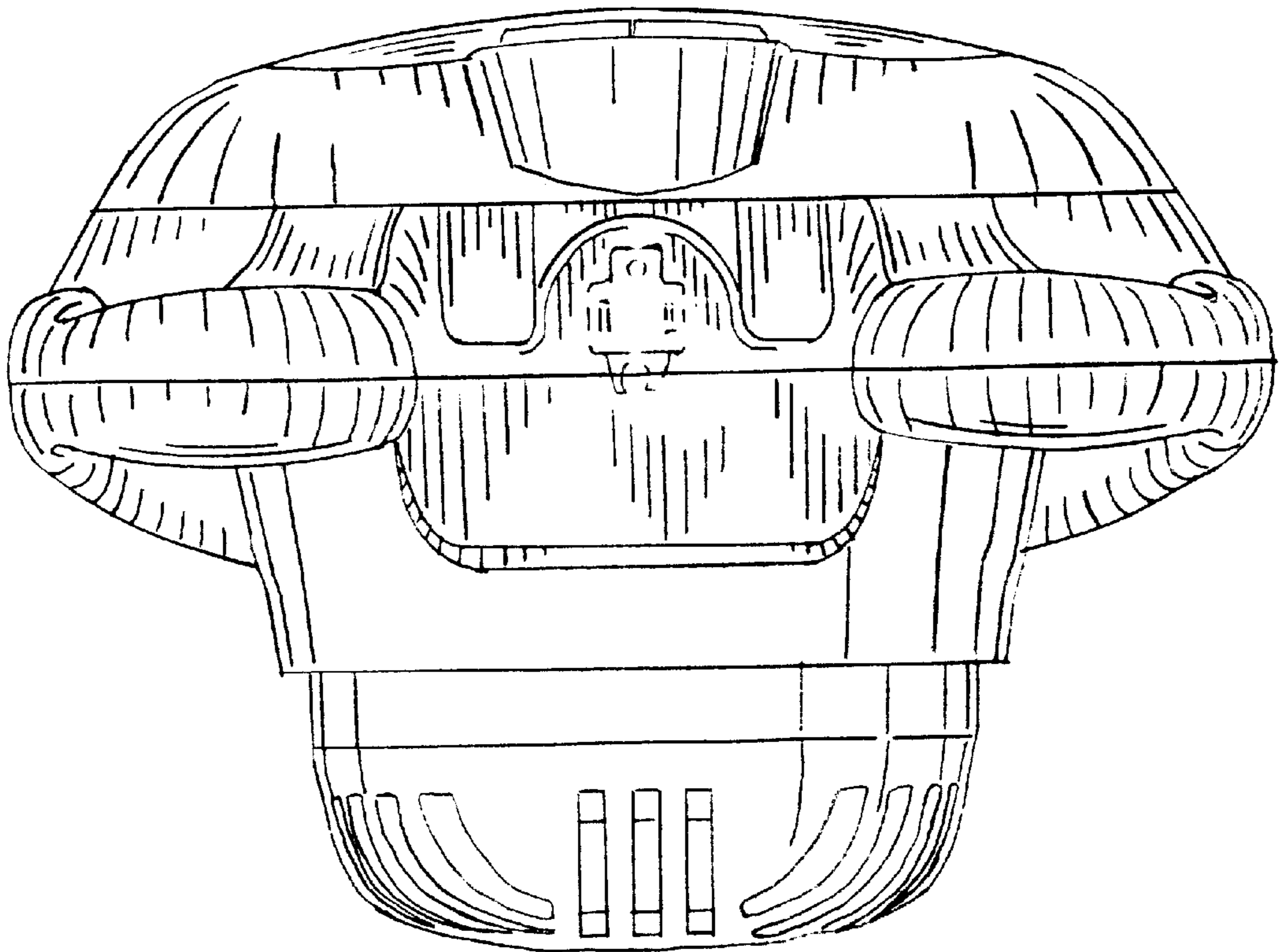


FIG. 5

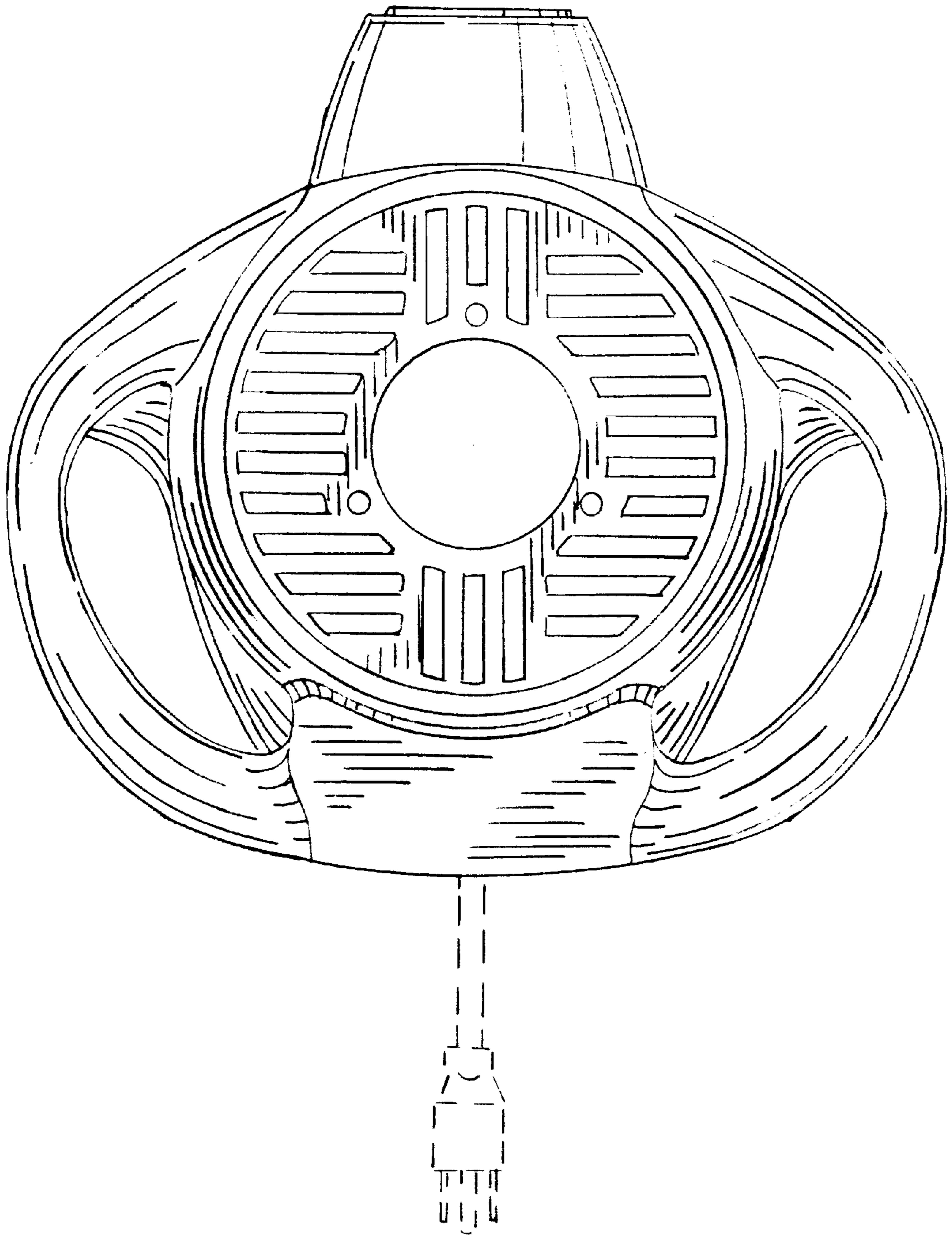


FIG. 6