



US00D473019S

(12) **United States Design Patent** (10) **Patent No.:** **US D473,019 S**  
**Beutler** (45) **Date of Patent:** **\*\* Apr. 8, 2003**

(54) **PORTION OF A KNEEPAD**

(75) Inventor: **Park M. Beutler**, Kaysville, UT (US)

(73) Assignee: **Boneless Products, LC**, Kaysville, UT (US)

(\*\*) Term: **14 Years**

(21) Appl. No.: **29/154,938**

(22) Filed: **Feb. 1, 2002**

(51) **LOC (7) Cl.** ..... **29-02**

(52) **U.S. Cl.** ..... **D29/122; D29/121.1**

(58) **Field of Search** ..... D29/121.1, 100,  
D29/120.1, 122; D24/190; D2/901; 2/22,  
23, 24, 62, 267, 911, 455, 16; 602/26; 128/882,  
892

(56) **References Cited**

**U.S. PATENT DOCUMENTS**

3,551,912	A	1/1971	Viglione	
4,120,052	A	10/1978	Butler	
4,198,708	A	4/1980	Fugere et al.	
D255,728	S	* 7/1980	Baron	..... D29/121.1
4,296,744	A	10/1981	Palumbo	
4,354,280	A	10/1982	Hayes	
4,484,361	A	11/1984	Leighton et al.	
4,561,123	A	12/1985	Hull	
4,599,747	A	7/1986	Robinson	
D322,146	S	* 12/1991	Anderson	..... D29/121.1
5,255,391	A	* 10/1993	Levine	..... 2/24
D341,005	S	* 11/1993	Pratt	..... D29/121.1
D355,052	S	* 1/1995	Paikos et al.	..... D29/121.1
5,416,924	A	5/1995	Sims	
5,477,558	A	12/1995	Volker et al.	
5,594,954	A	* 1/1997	Huang	..... 2/24
5,987,643	A	11/1999	Beutler	
6,029,273	A	* 2/2000	McCraide	..... 2/24
6,131,196	A	* 10/2000	Vallion	..... 2/24
6,205,583	B1	* 3/2001	Beland	..... 2/16

\* cited by examiner

*Primary Examiner*—Lucy Lieberman  
(74) *Attorney, Agent, or Firm*—TraskBritt P.C.

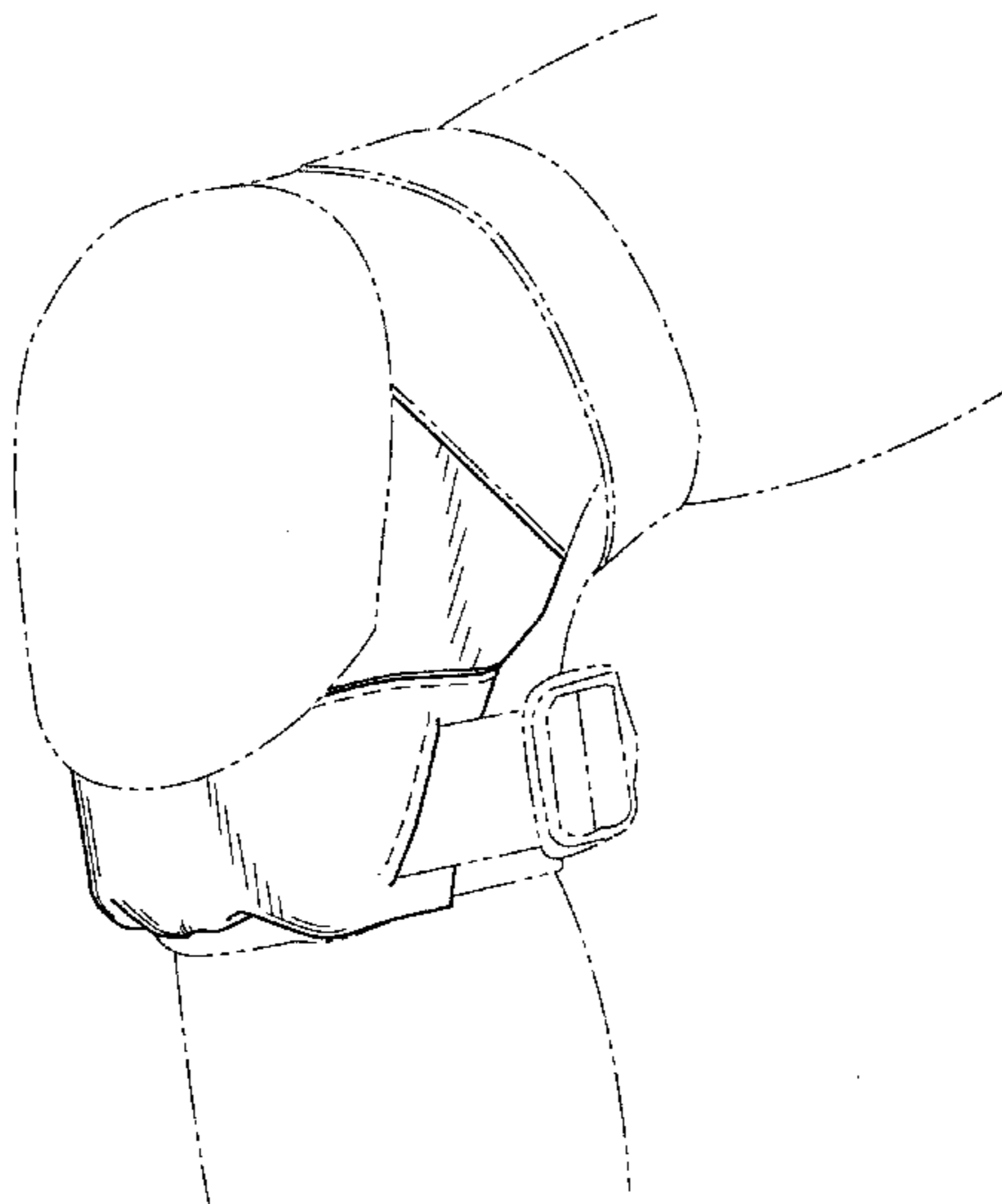
(57) **CLAIM**

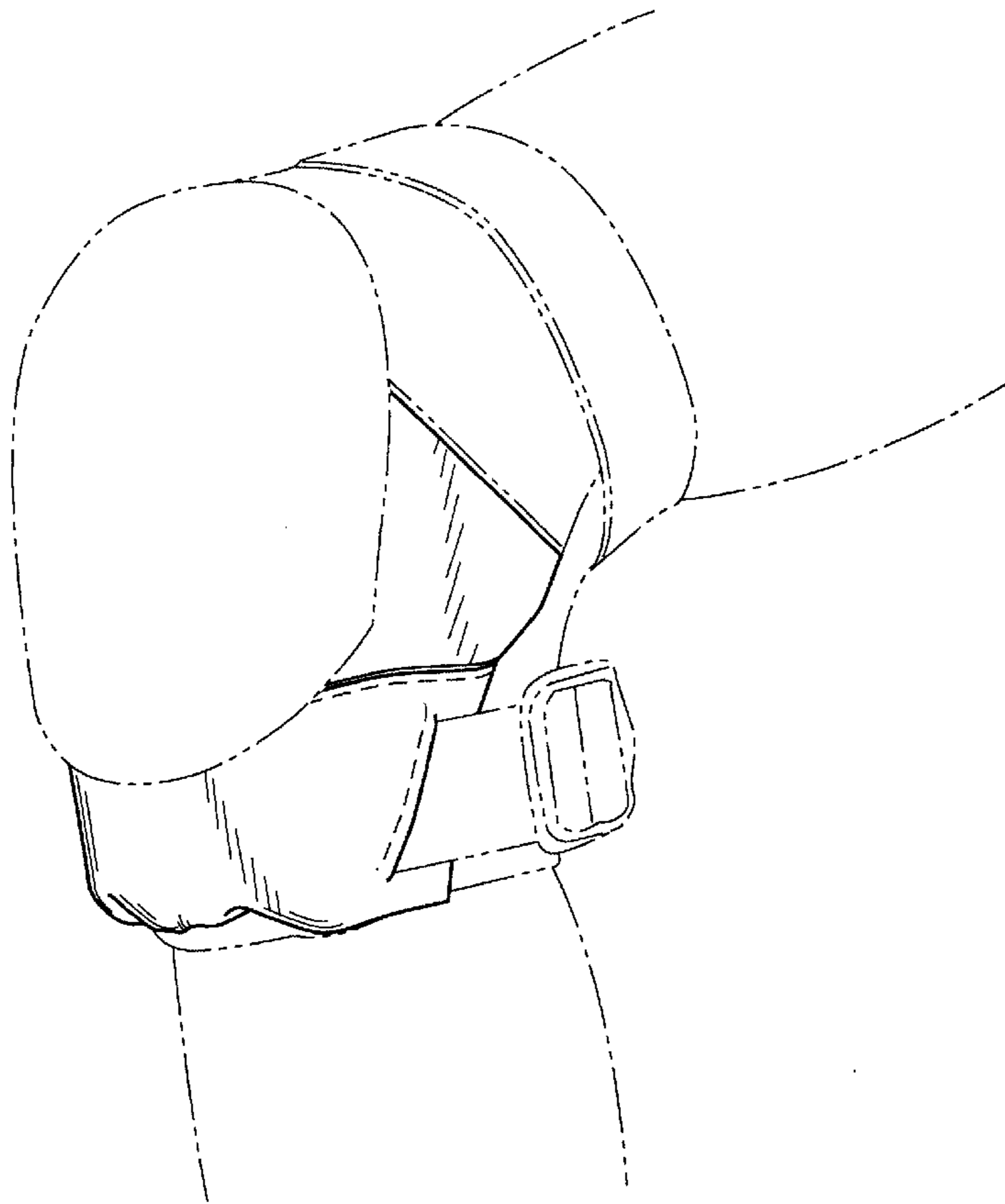
The ornamental design for a portion of a kneepad, as shown and described.

**DESCRIPTION**

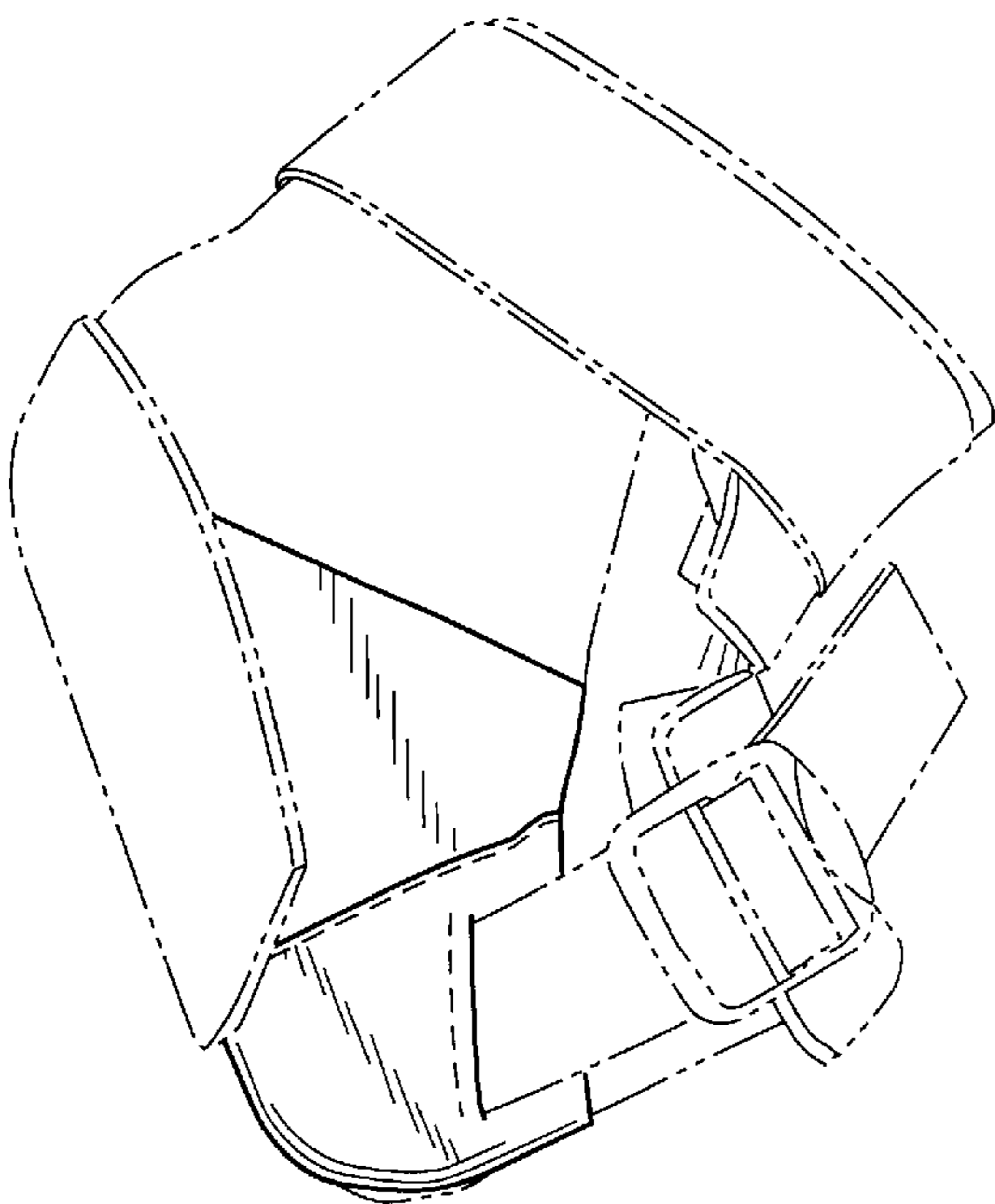
FIG. 1 is a perspective view of a portion of a kneepad showing my new design;  
 FIG. 2 is a side view of a portion of the kneepad shown in FIG. 1;  
 FIG. 3 is another side view of a portion of the kneepad shown in FIG. 1;  
 FIG. 4 is a front view of a portion of the kneepad shown in FIG. 1;  
 FIG. 5 is a rear view of a portion of the kneepad shown in FIG. 1; and  
 FIG. 6 is a bottom plan view of a portion of the kneepad shown in FIG. 1;  
 FIG. 7 is a perspective view of an alternative embodiment of a portion of a kneepad showing my new design;  
 FIG. 8 is a side view of a portion of the kneepad shown in FIG. 7;  
 FIG. 9 is another side view of a portion of the kneepad shown in FIG. 7;  
 FIG. 10 is a front view of a portion of the kneepad shown in FIG. 7;  
 FIG. 11 is a rear view of a portion of the kneepad shown in FIG. 7; and,  
 FIG. 12 is a bottom plan view of a portion of the kneepad shown in FIG. 7.  
 The even broken line representations within the shaded areas represent stitching. All uneven broken line representations in FIGS. 1–12 represent unclaimed portions of the kneepad and a portion of the leg of a user. The uneven broken line representations are for illustrative purposes only and form no part of the claimed design.

**1 Claim, 4 Drawing Sheets**

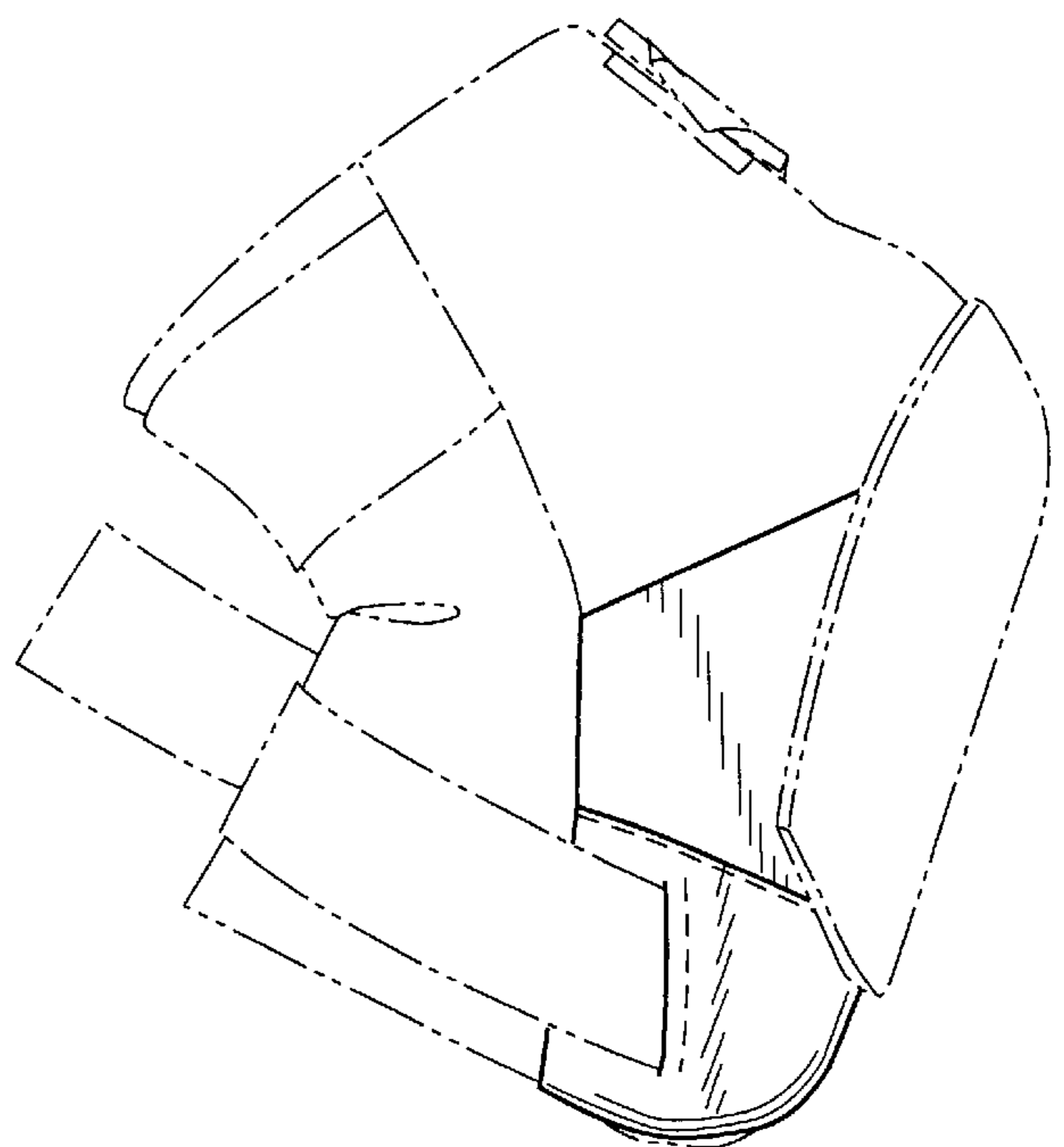




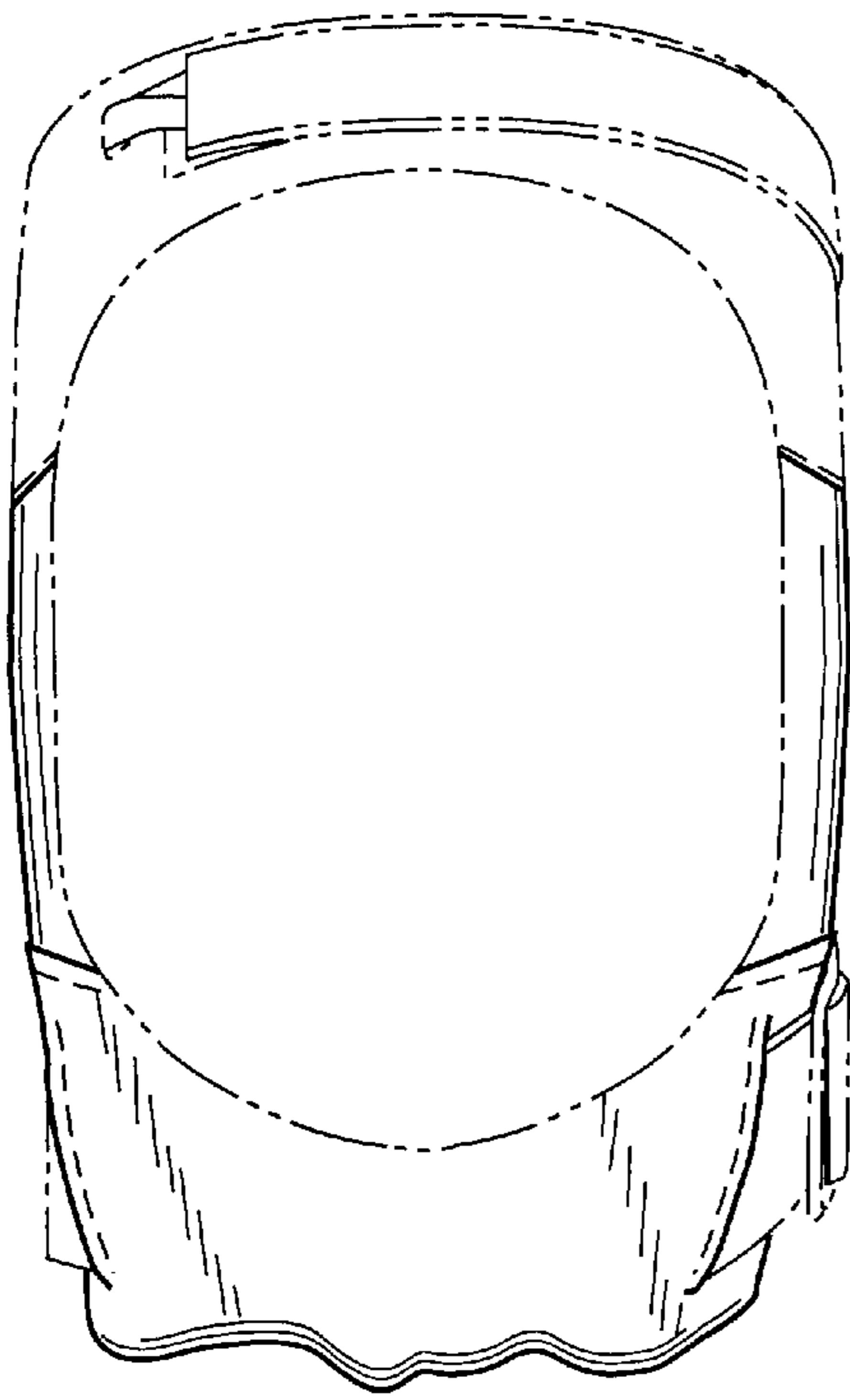
**Fig. 1**



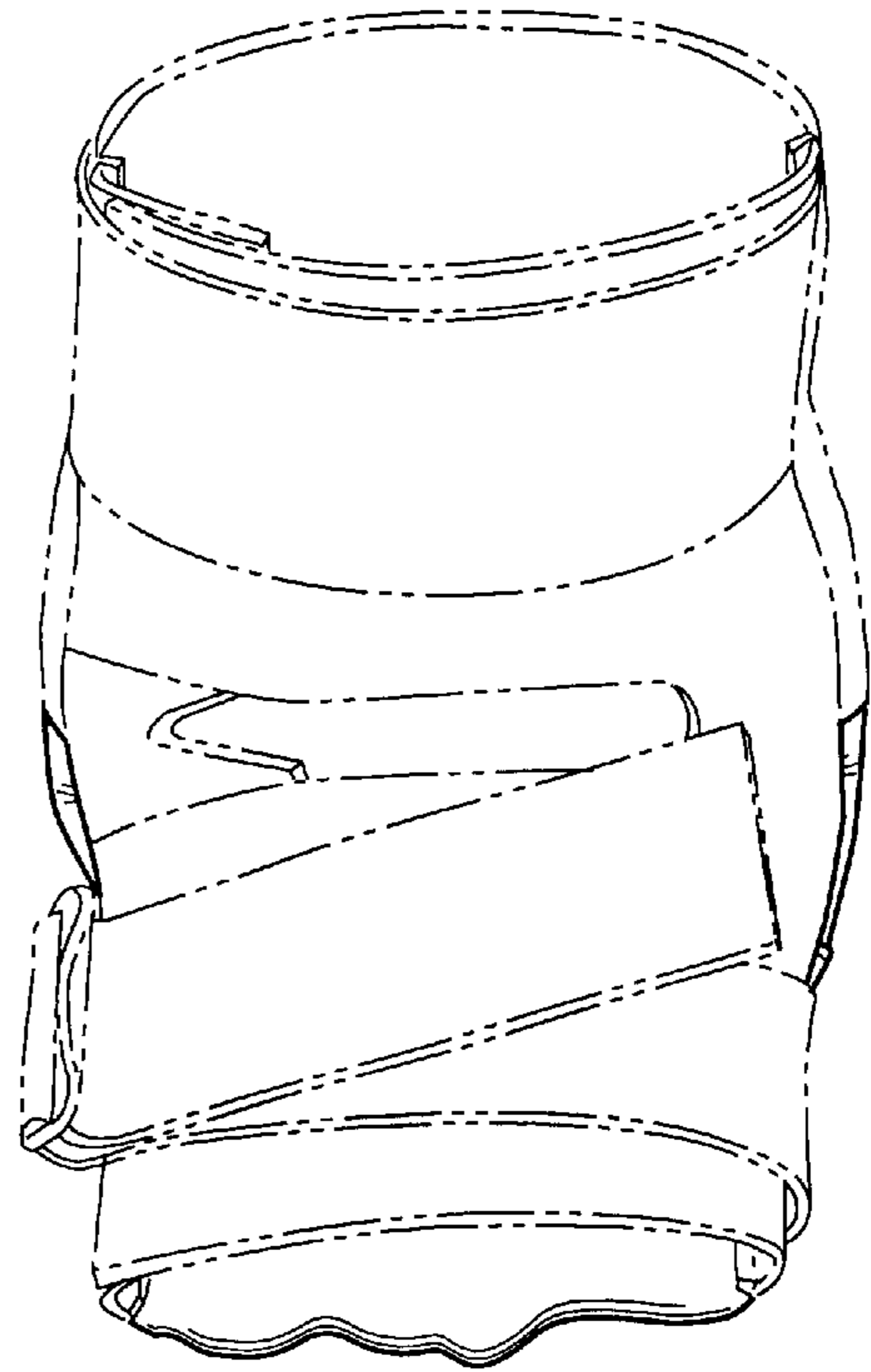
**Fig. 2**



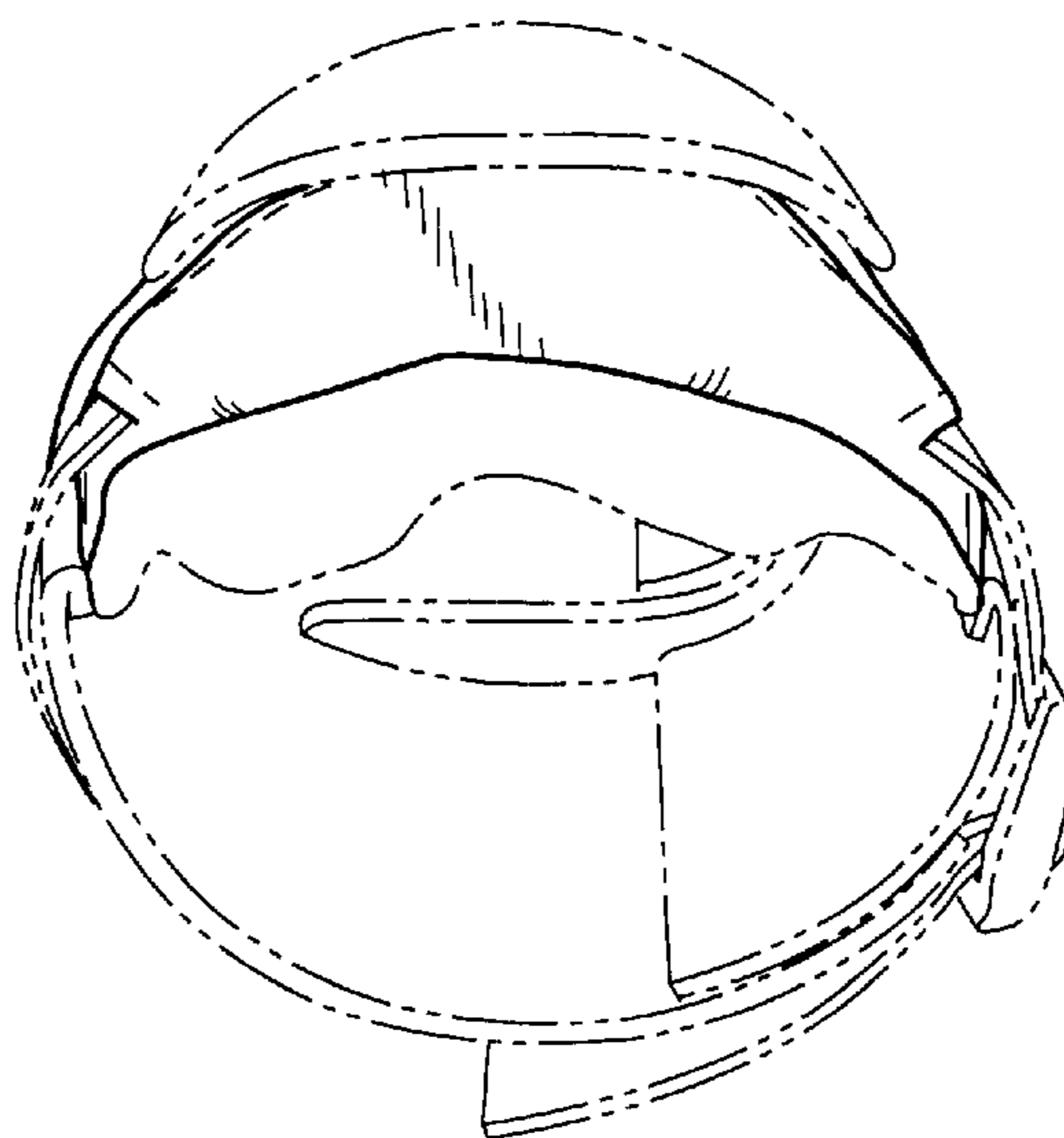
**Fig. 3**



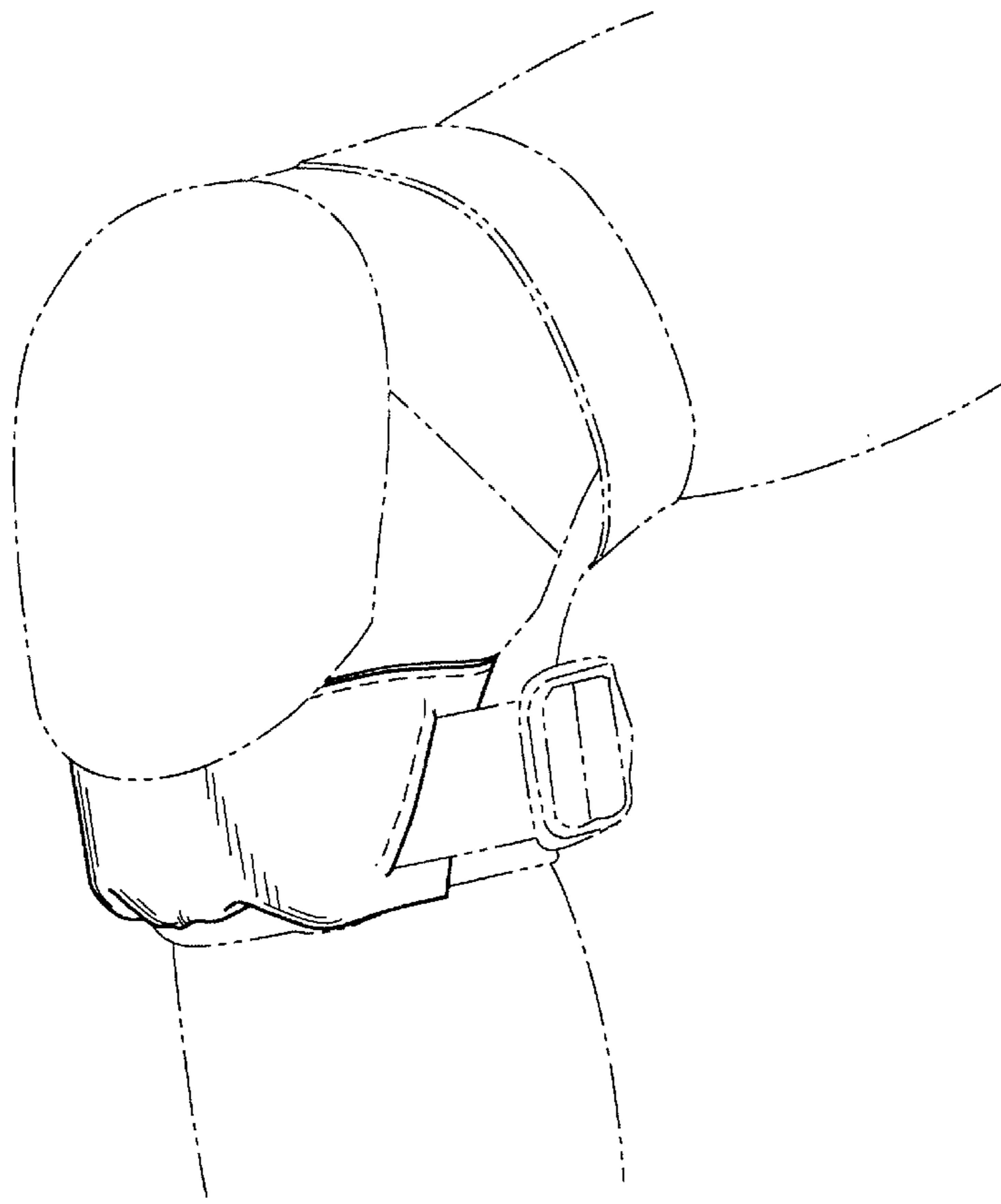
**Fig. 4**



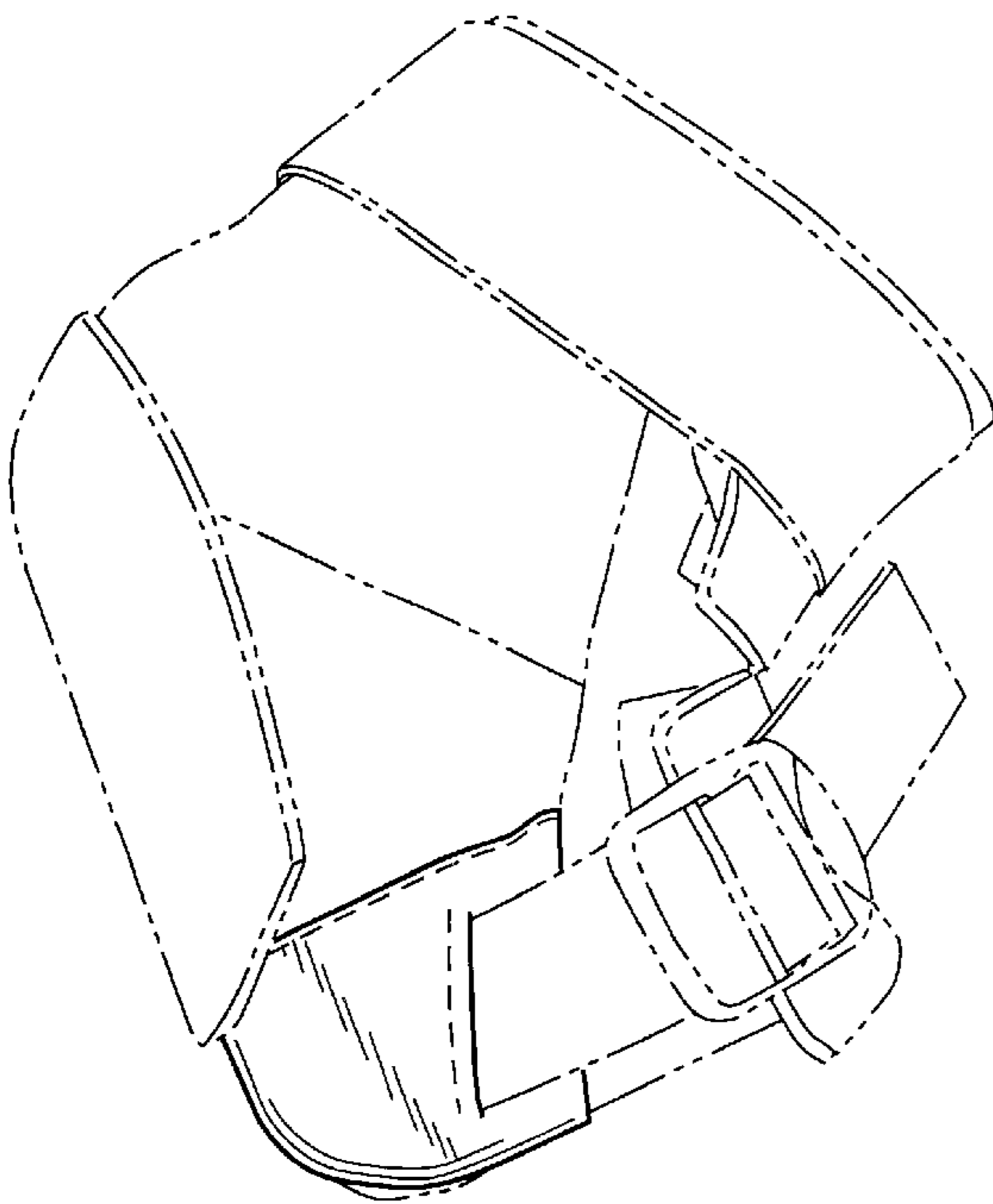
**Fig. 5**



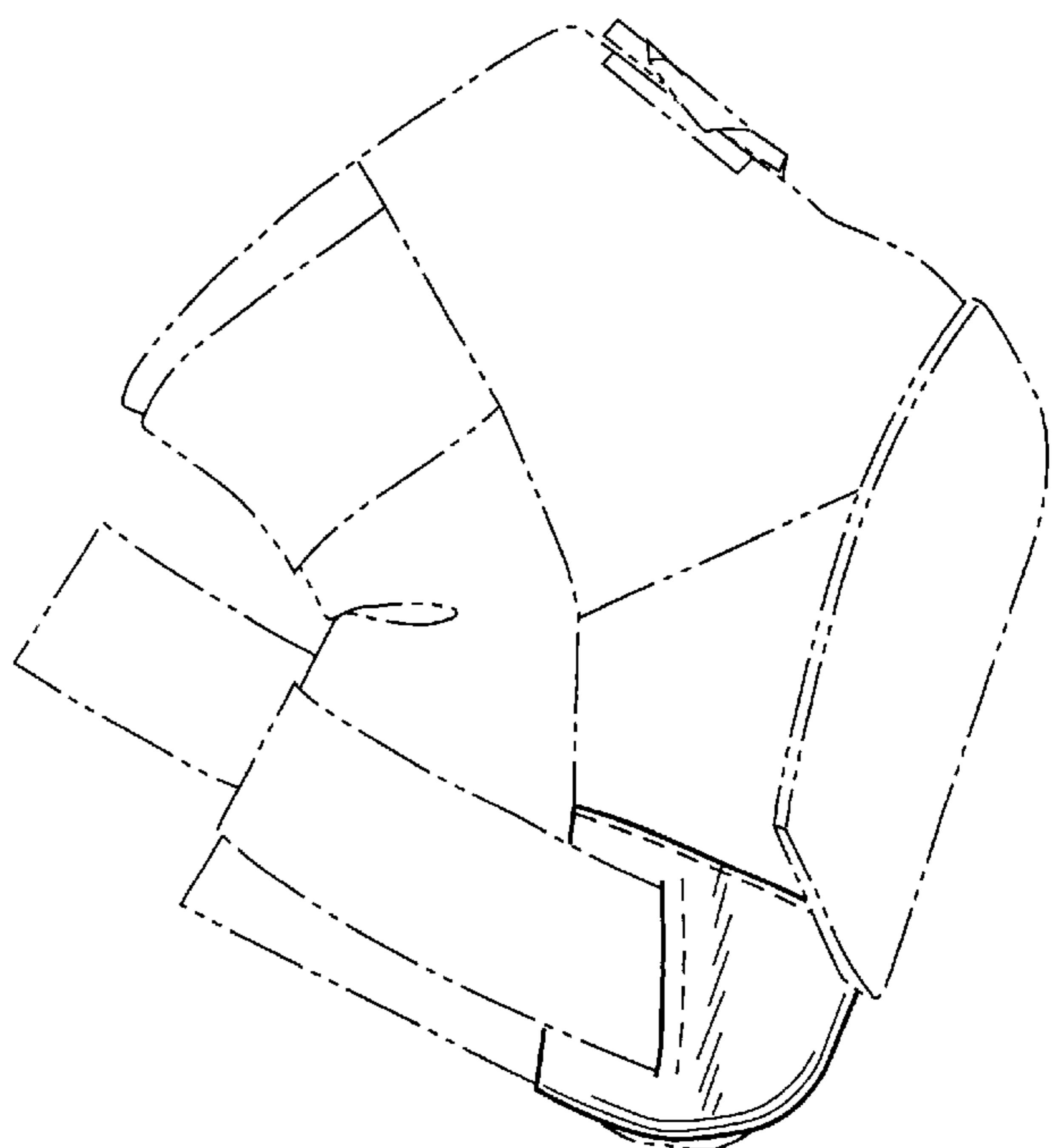
**Fig. 6**



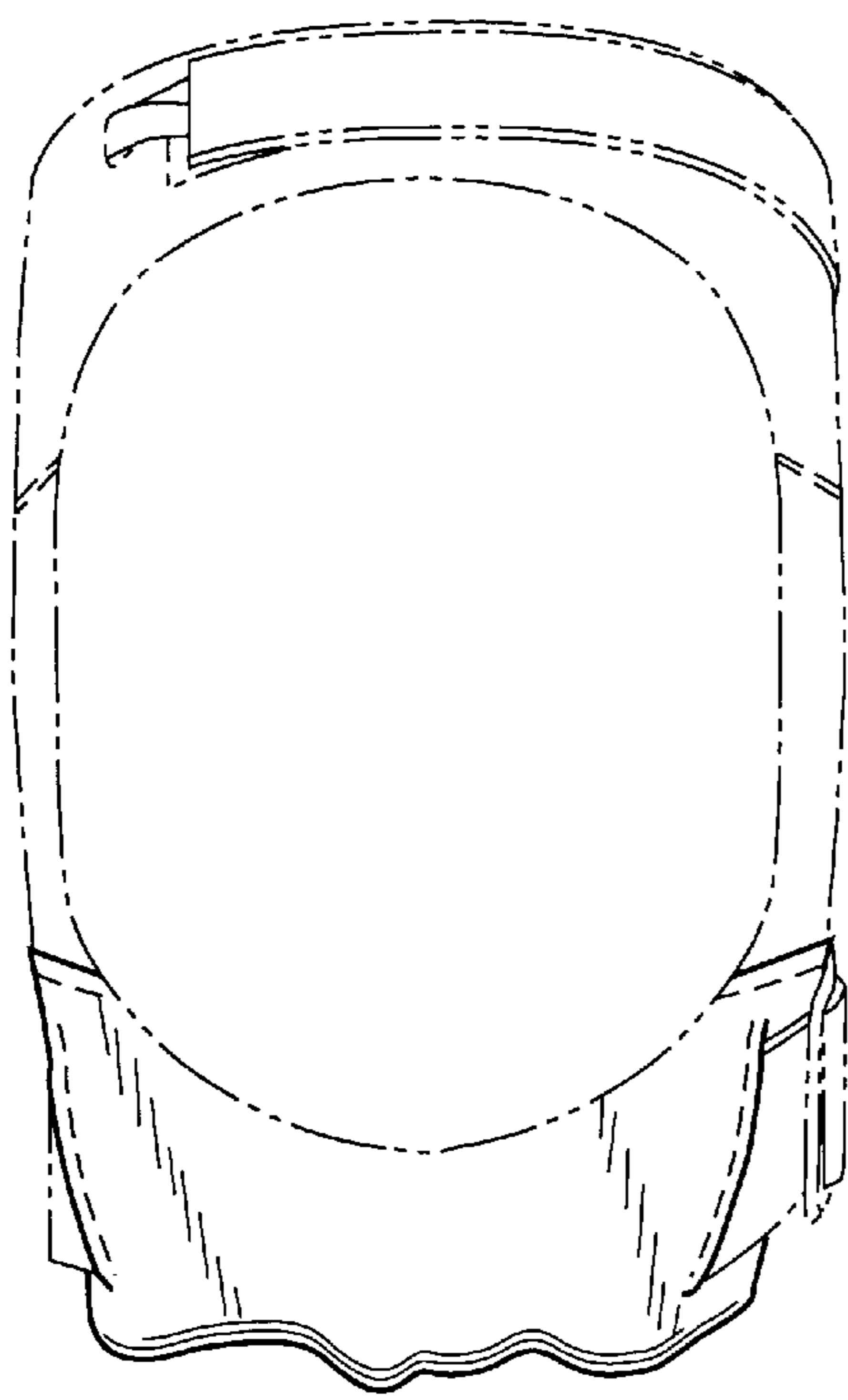
**Fig. 7**



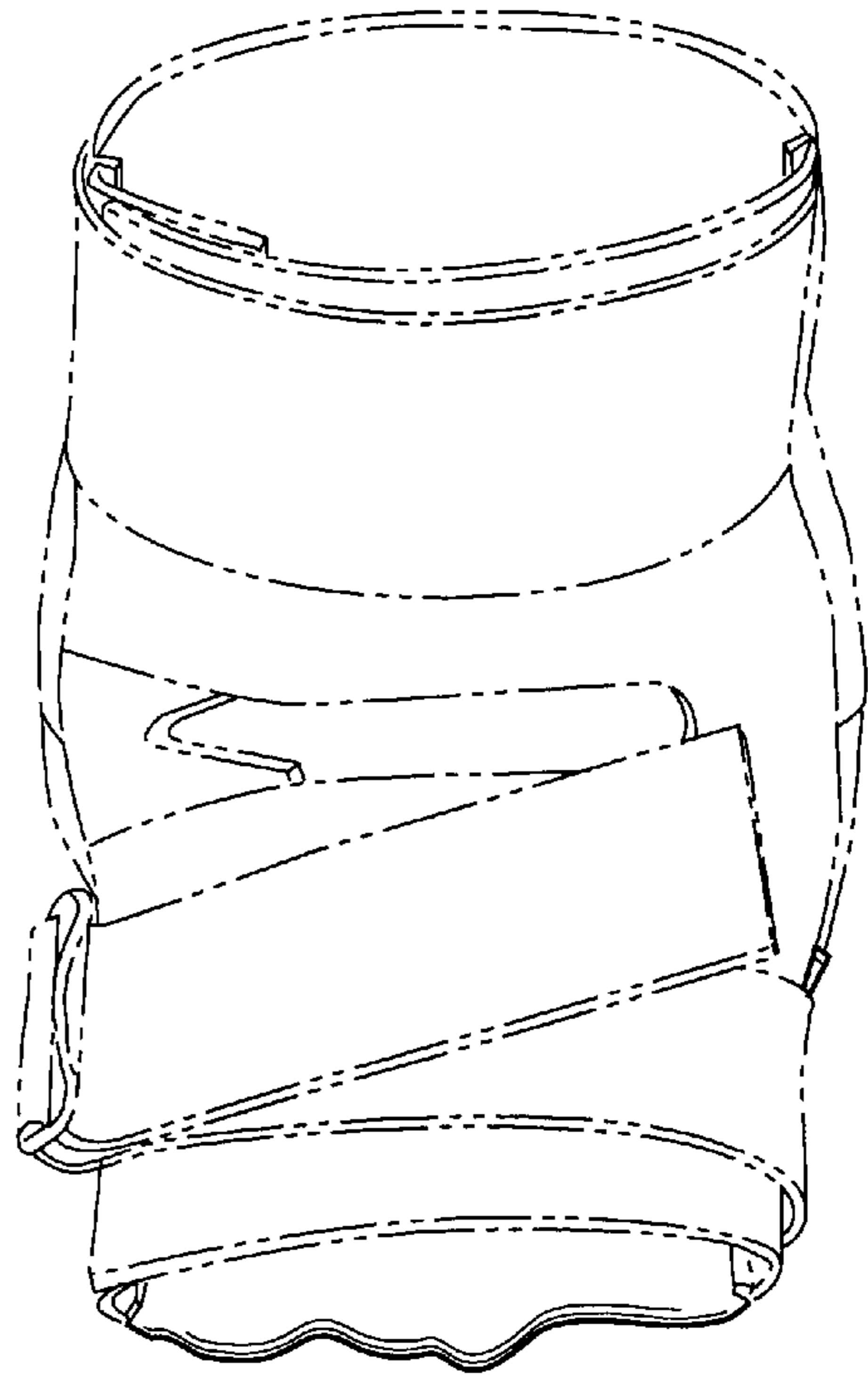
**Fig. 8**



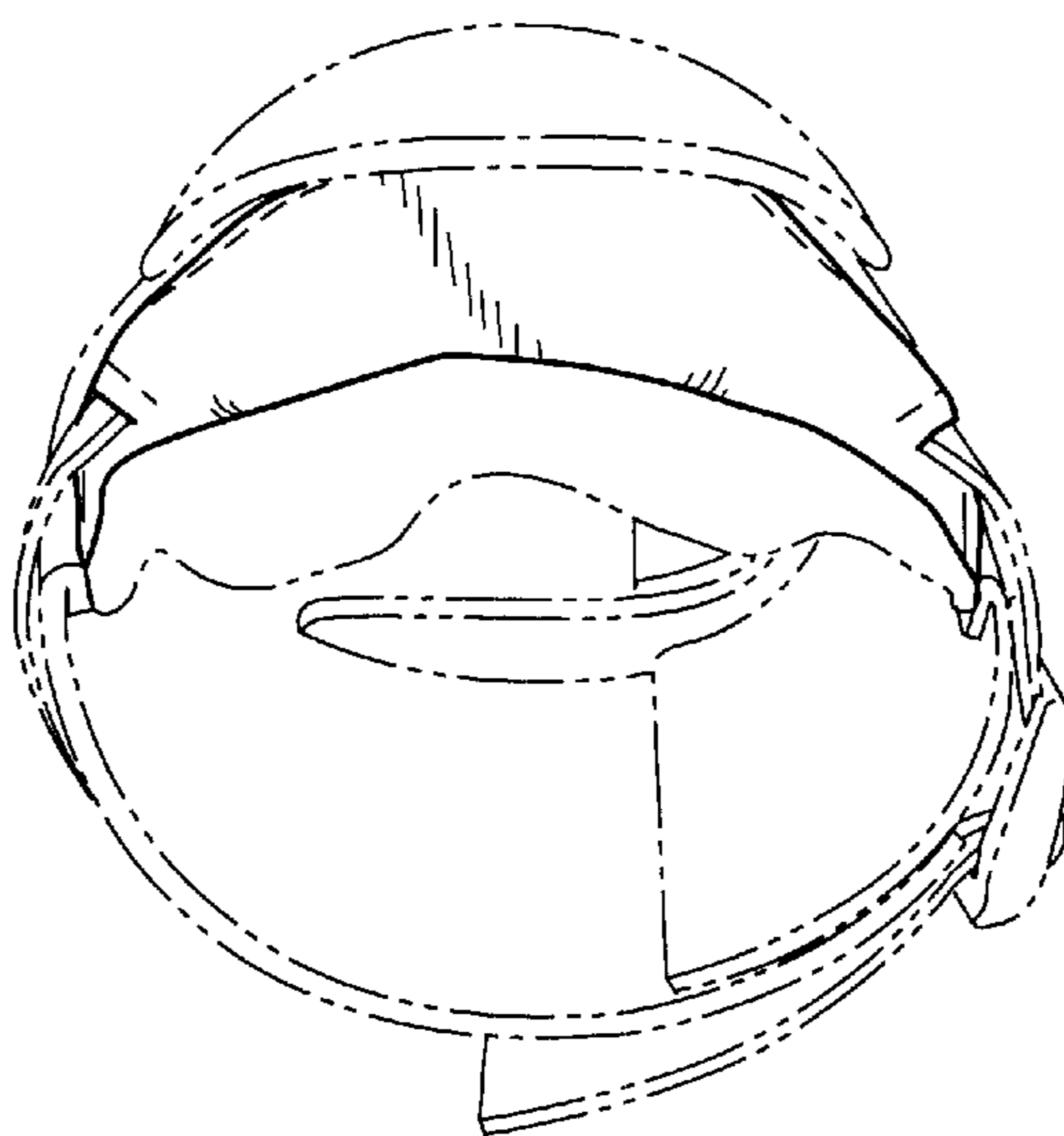
**Fig. 9**



**Fig. 10**



**Fig. 11**



**Fig. 12**