



US00D473017S

(12) **United States Design Patent**  
**Ying**

(10) **Patent No.:** **US D473,017 S**

(45) **Date of Patent:** **\*\* Apr. 8, 2003**

(54) **HAND DRYER**

D441,139 S \* 4/2001 Hansen ..... D28/54.1

(75) Inventor: **Pingxiang Ying**, Zhejiang (CN)

\* cited by examiner

(73) Assignee: **Zhejang Superhuman Group Co., Ltd.**, Zhejiang (CN)

*Primary Examiner*—Lucy Lieberman

(74) *Attorney, Agent, or Firm*—Alston & Bird LLP

(\*\*) Term: **14 Years**

(57) **CLAIM**

(21) Appl. No.: **29/166,134**

The ornamental design for a hand dryer, as shown and described.

(22) Filed: **Aug. 22, 2002**

**DESCRIPTION**

(30) **Foreign Application Priority Data**

May 14, 2002 (CN) ..... 02 3 09509

(51) **LOC (7) Cl.** ..... **28-03**

(52) **U.S. Cl.** ..... **D28/54.1**

(58) **Field of Search** ..... D28/54.1, 58,  
D28/12; 392/381, 380; 34/266, 201, 202;  
D23/357, 361, 385

FIG. 1 is a side perspective view of the hand dryer according to the present design;

FIG. 2 is a front elevation view of the hand dryer according to the present design;

FIG. 3 is a rear elevation view of the hand dryer according to the present design;

FIG. 4 is a left side elevation view of the hand dryer according to the present design;

FIG. 5 is a right side elevation view of the hand dryer according to the present design;

FIG. 6 is a bottom plan view of the hand dryer according to the present design; and,

FIG. 7 is a top plan view of the hand dryer according to the present design.

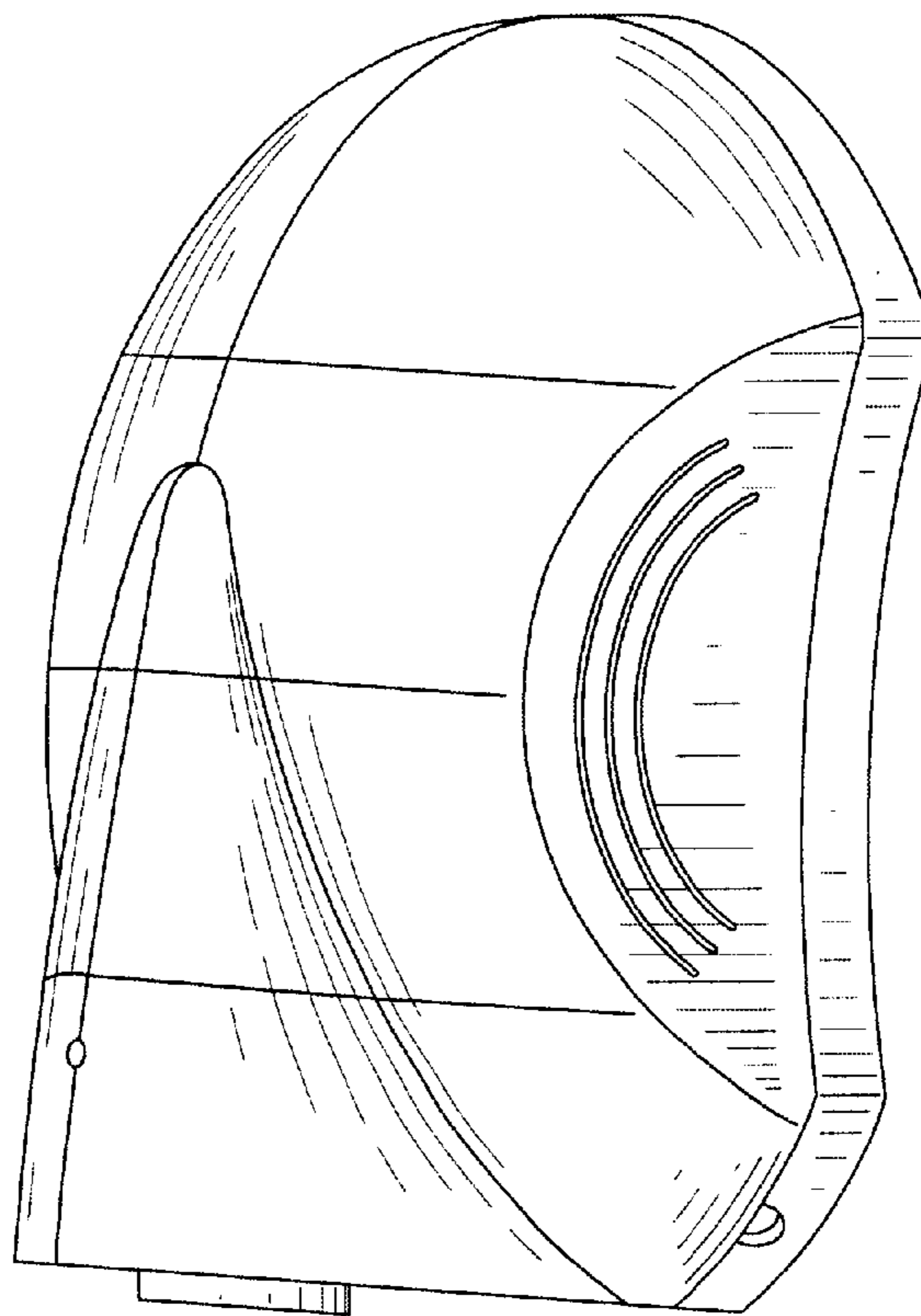
The broken lines shown herein are for illustrative purposes only and form no part of the claimed design.

(56) **References Cited**

**U.S. PATENT DOCUMENTS**

- 2,777,934 A \* 1/1957 Falkenthal ..... 392/381
- D415,857 S \* 10/1999 Ayre ..... D28/54.1
- D420,764 S \* 2/2000 Conway et al. .... D28/54.1
- D432,266 S \* 10/2000 Lefebvre ..... D28/54.1
- D438,344 S \* 2/2001 Curzon ..... D28/54.1
- 6,189,230 B1 \* 2/2001 Huen

**1 Claim, 7 Drawing Sheets**



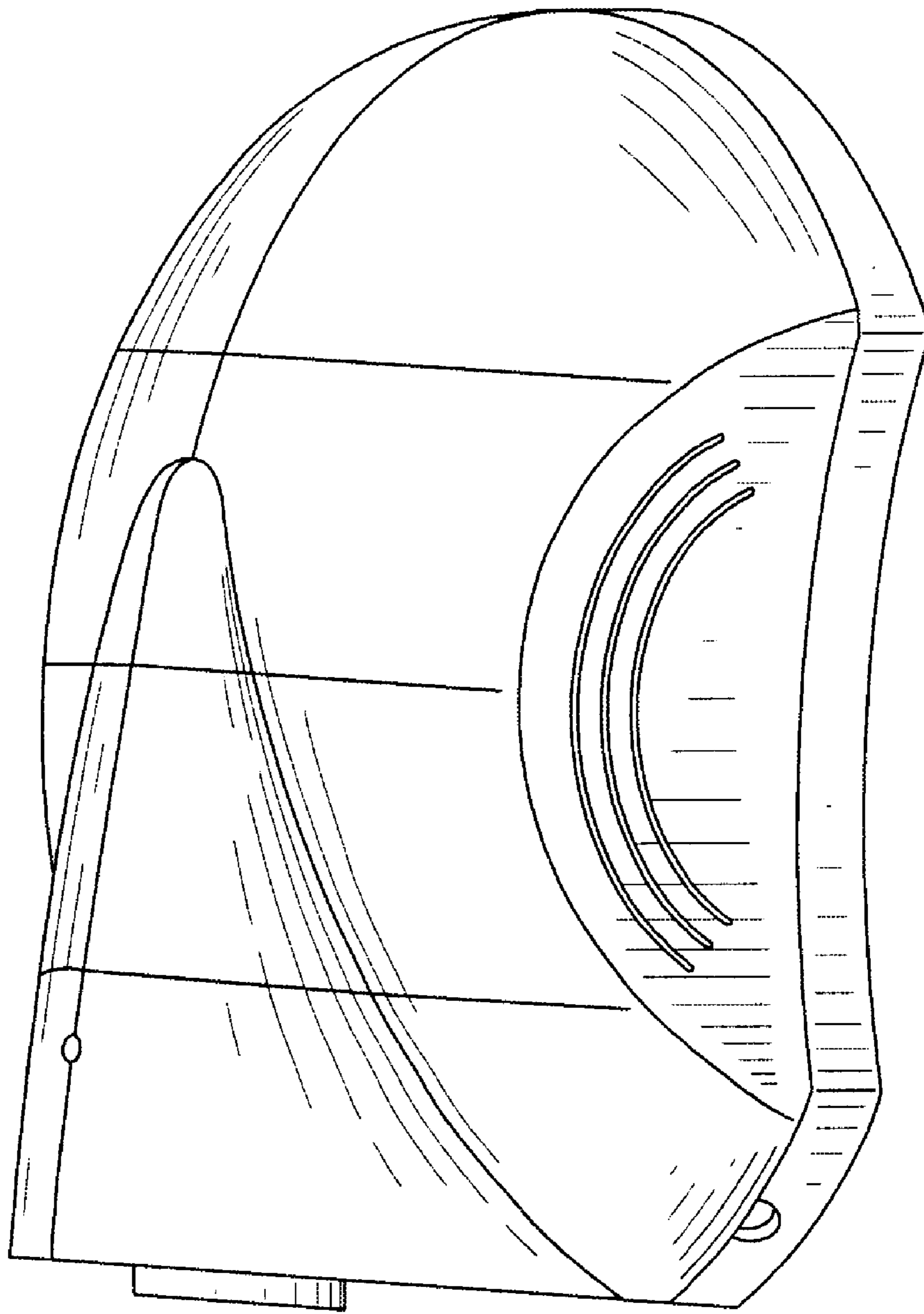


FIG. 1.

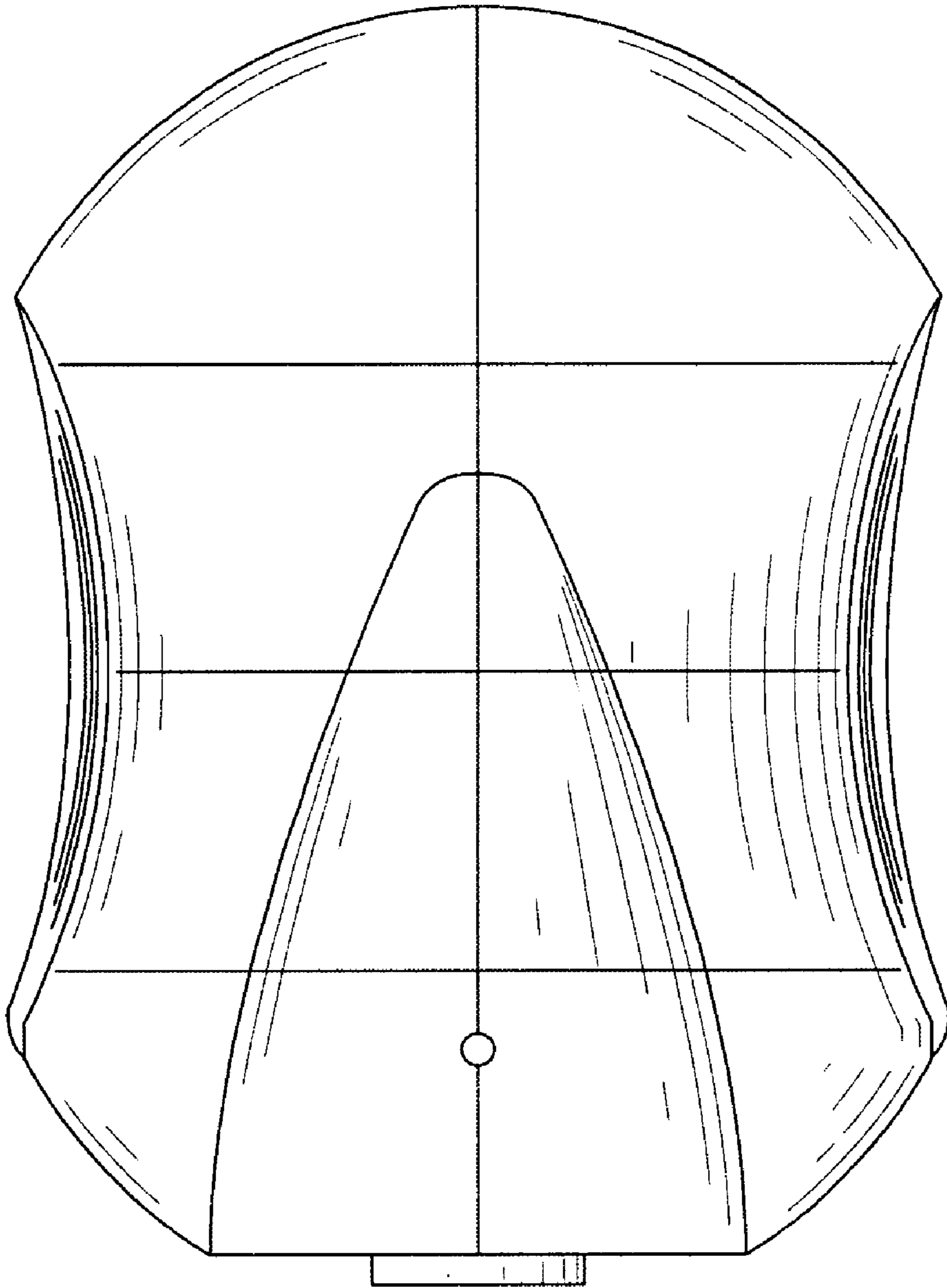


FIG. 2.

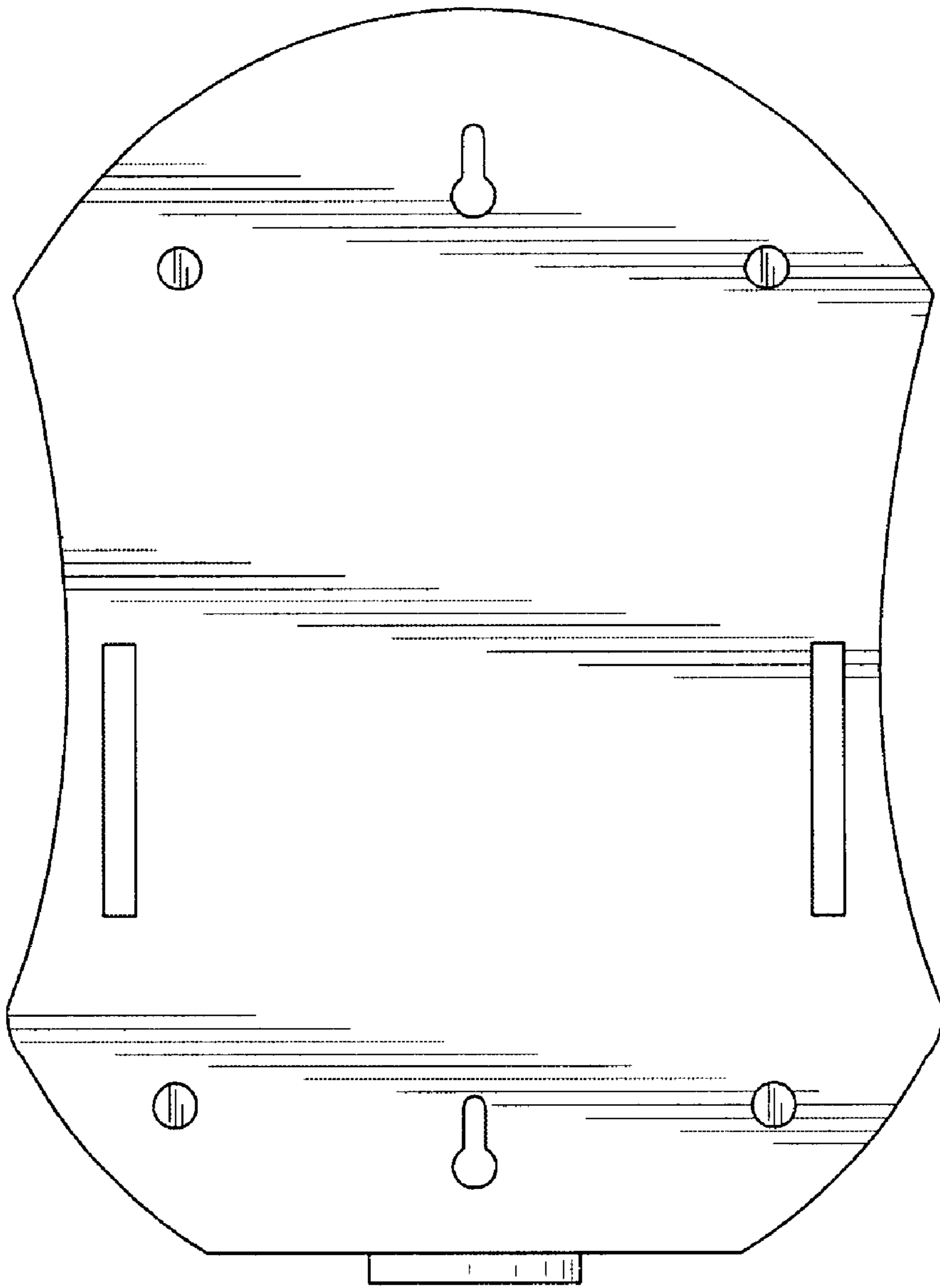


FIG. 3.

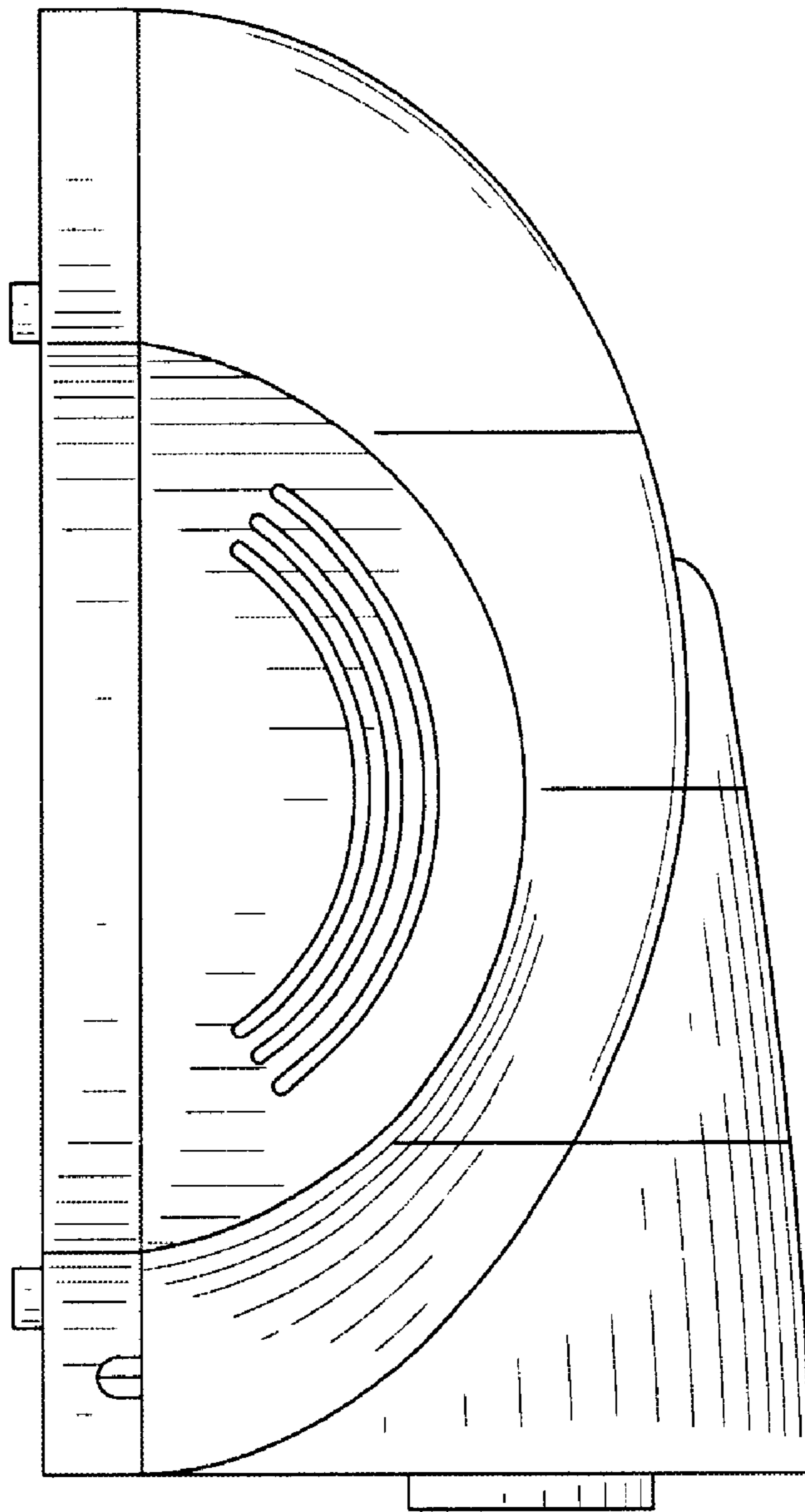


FIG. 4.

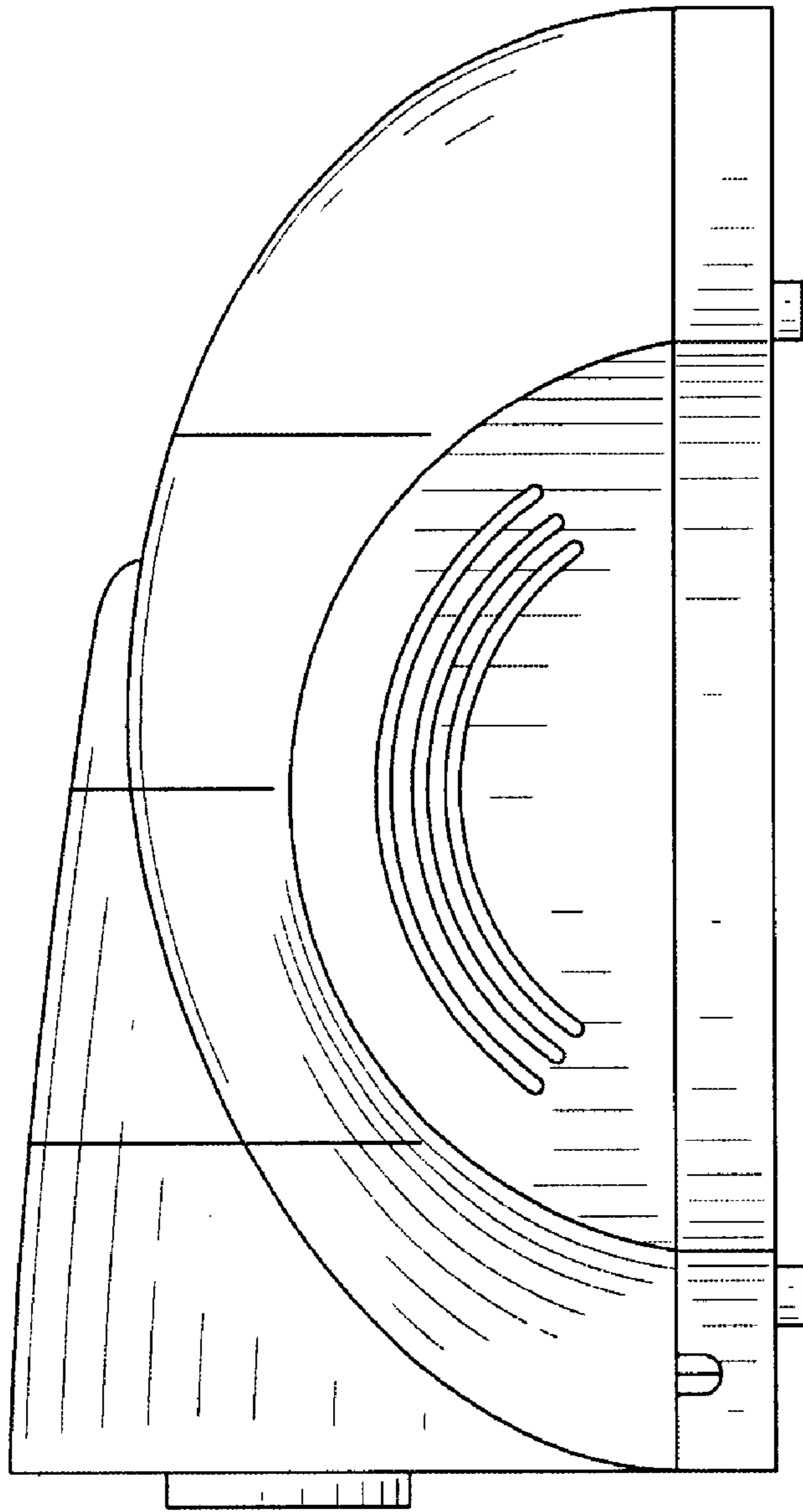


FIG. 5.



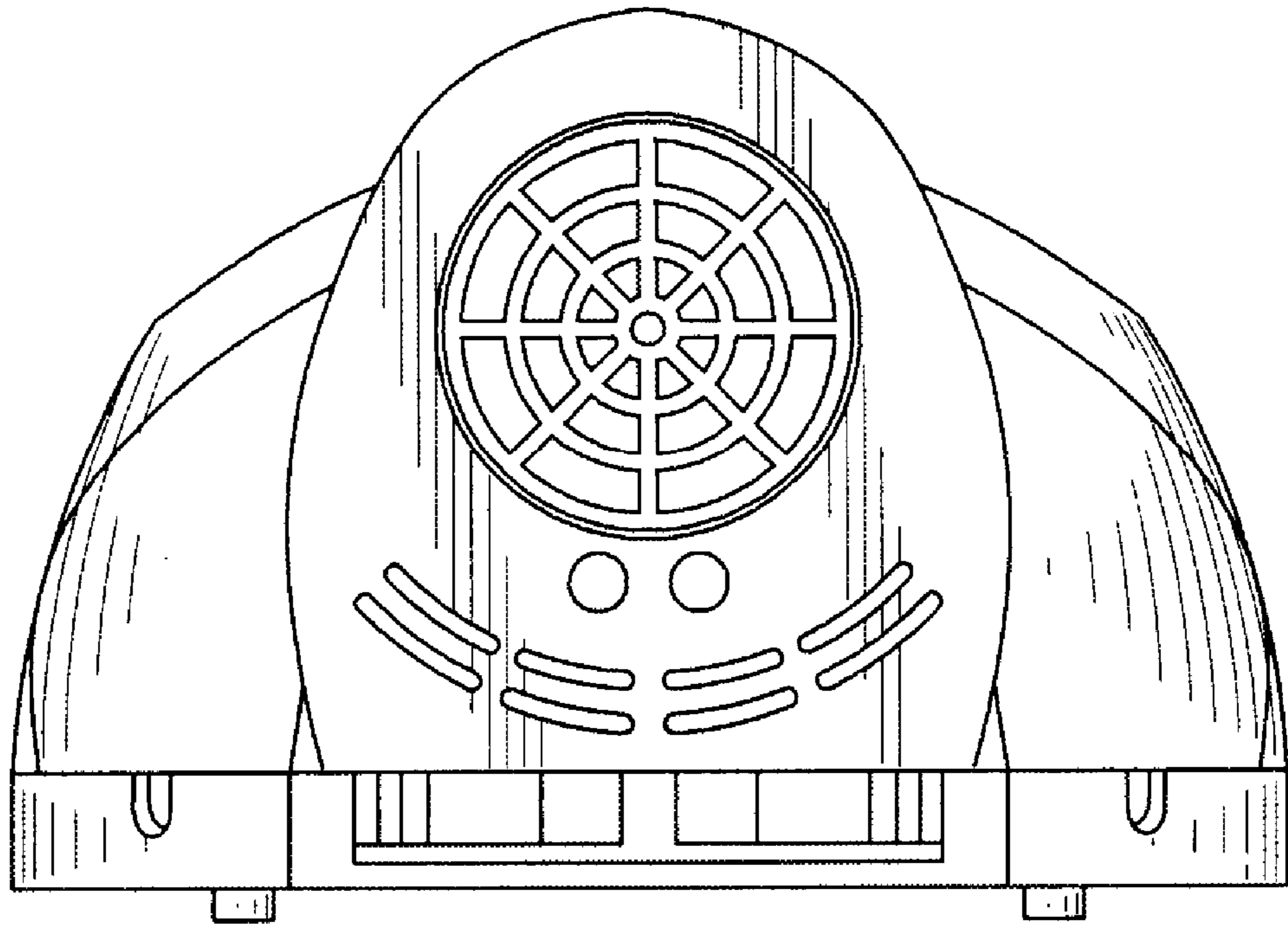
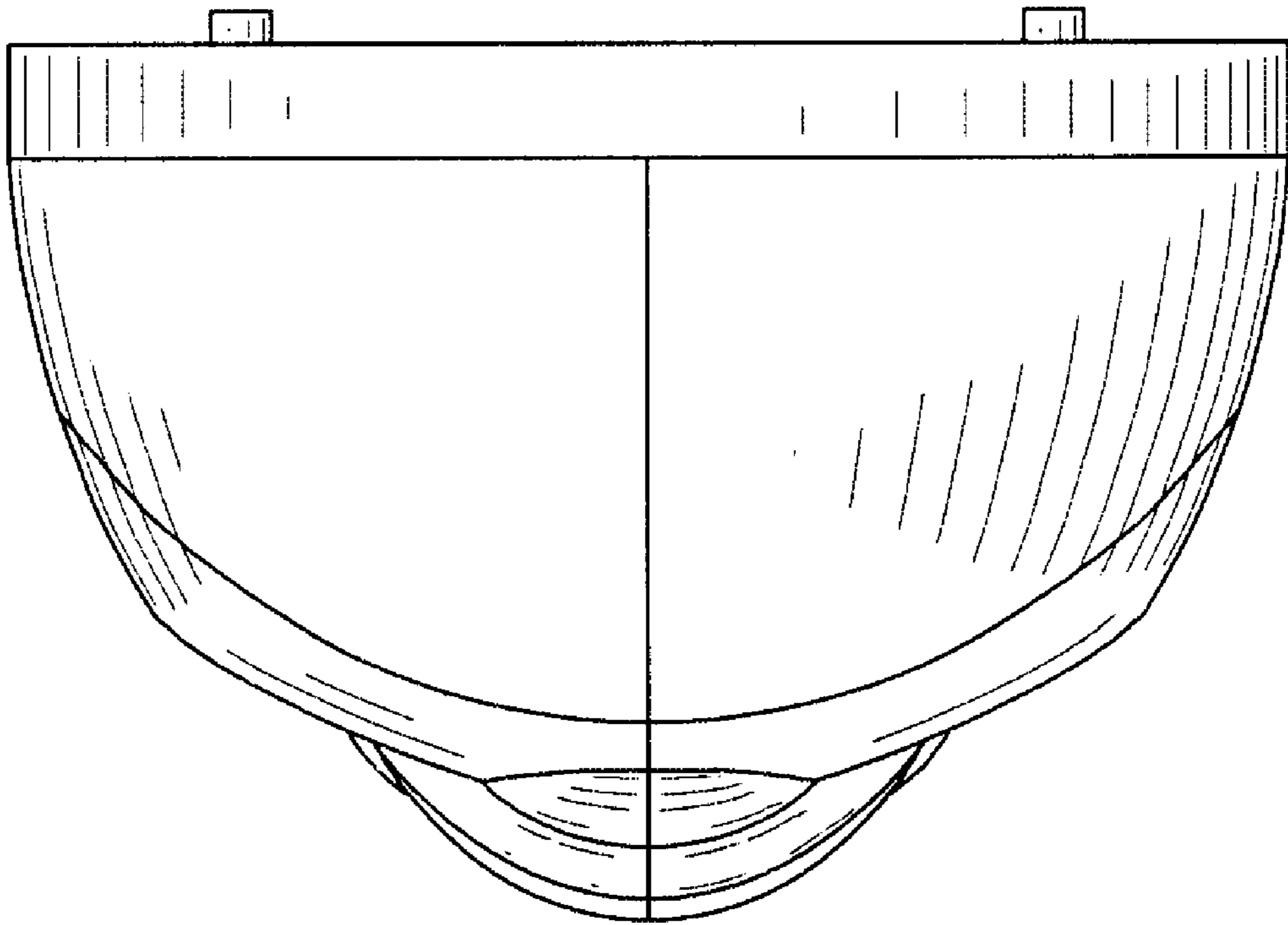


FIG. 6.



**FIG. 7.**