



US00D473015S

(12) **United States Design Patent**
Shyu

(10) **Patent No.:** **US D473,015 S**

(45) **Date of Patent:** **** Apr. 8, 2003**

(54) **HAIR CLIP**

(76) Inventor: **Shyh Ming Shyu**, No. 119, Lane 234,
Chengbei Rd., Tainan City (TW)

(**) Term: **14 Years**

(21) Appl. No.: **29/167,185**

(22) Filed: **Sep. 11, 2002**

(51) **LOC (7) Cl.** **28-03**

(52) **U.S. Cl.** **D28/40**

(58) **Field of Search** D28/39-43, 25,
D28/27, 28, 29, 32; 132/277, 273, 275,
276; D8/395; 24/500-502, 507-511

(56) **References Cited**

U.S. PATENT DOCUMENTS

D158,343 S	*	4/1950	Watson	D28/40
5,494,060 A	*	2/1996	Potut	132/277
5,699,814 A	*	12/1997	Potut	132/277
5,842,482 A	*	12/1998	Potut	132/277
D415,591 S	*	10/1999	Knudsen	D28/40
D434,526 S	*	11/2000	Weaver	D28/40

OTHER PUBLICATIONS

Hong Kong Enterprise, Oct. 1997, p. 1150, hair clips.*

Hong Kong Enterprise, Jun. 1998, p. 1172, hair clips.*

* cited by examiner

Primary Examiner—Lucy Lieberman

(74) *Attorney, Agent, or Firm*—Bacon & Thomas, PLLC

(57) **CLAIM**

The ornamental design for a hair clip, as shown.

DESCRIPTION

FIG. 1 is a perspective view of a hair clip showing my new design:

FIG. 2 is a front elevational view thereof;

FIG. 3 is a rear elevational view thereof;

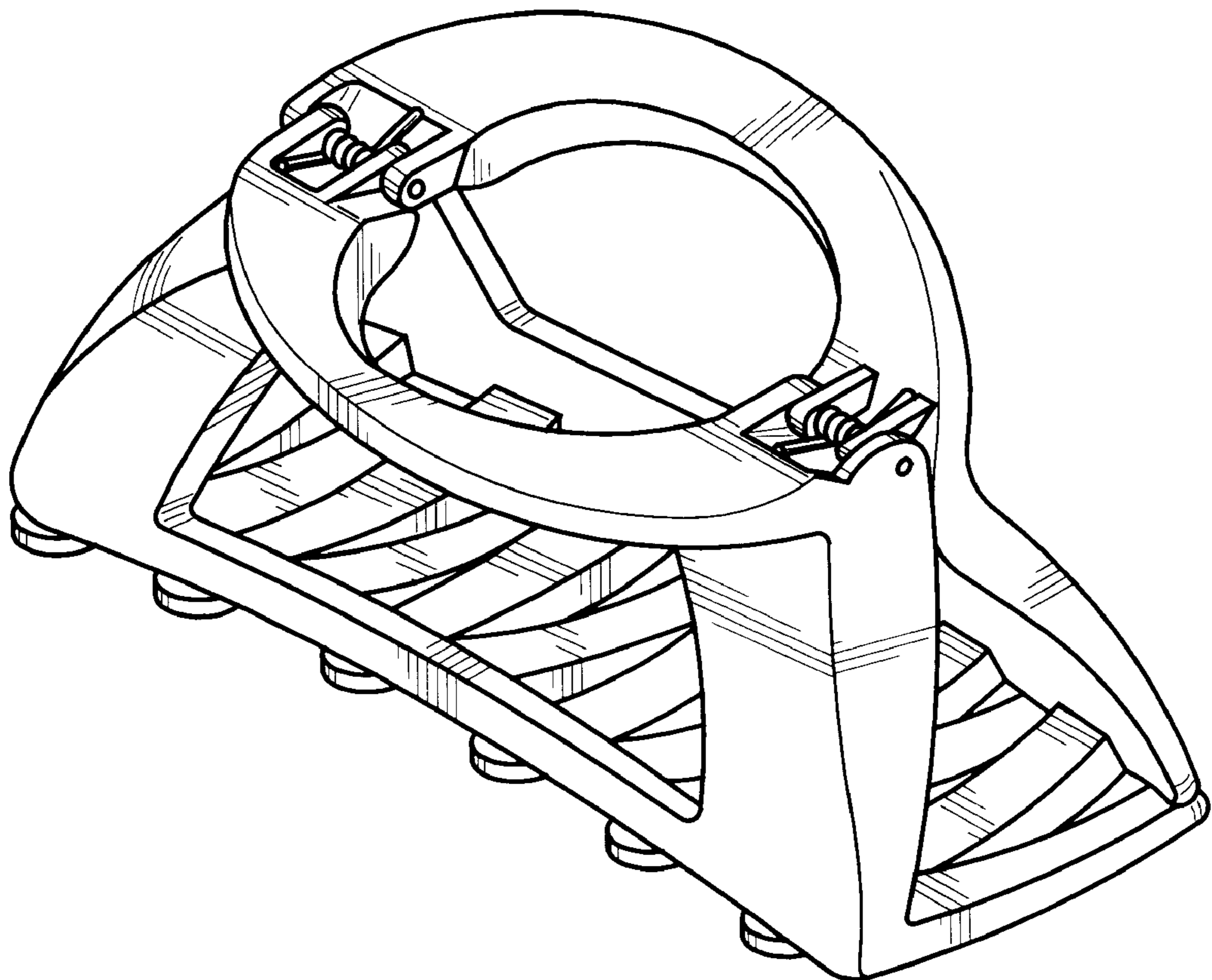
FIG. 4 is a left side elevational view thereof;

FIG. 5 is a right side elevational view thereof;

FIG. 6 is a top plan view thereof; and,

FIG. 7 is a bottom plan view thereof.

1 Claim, 4 Drawing Sheets



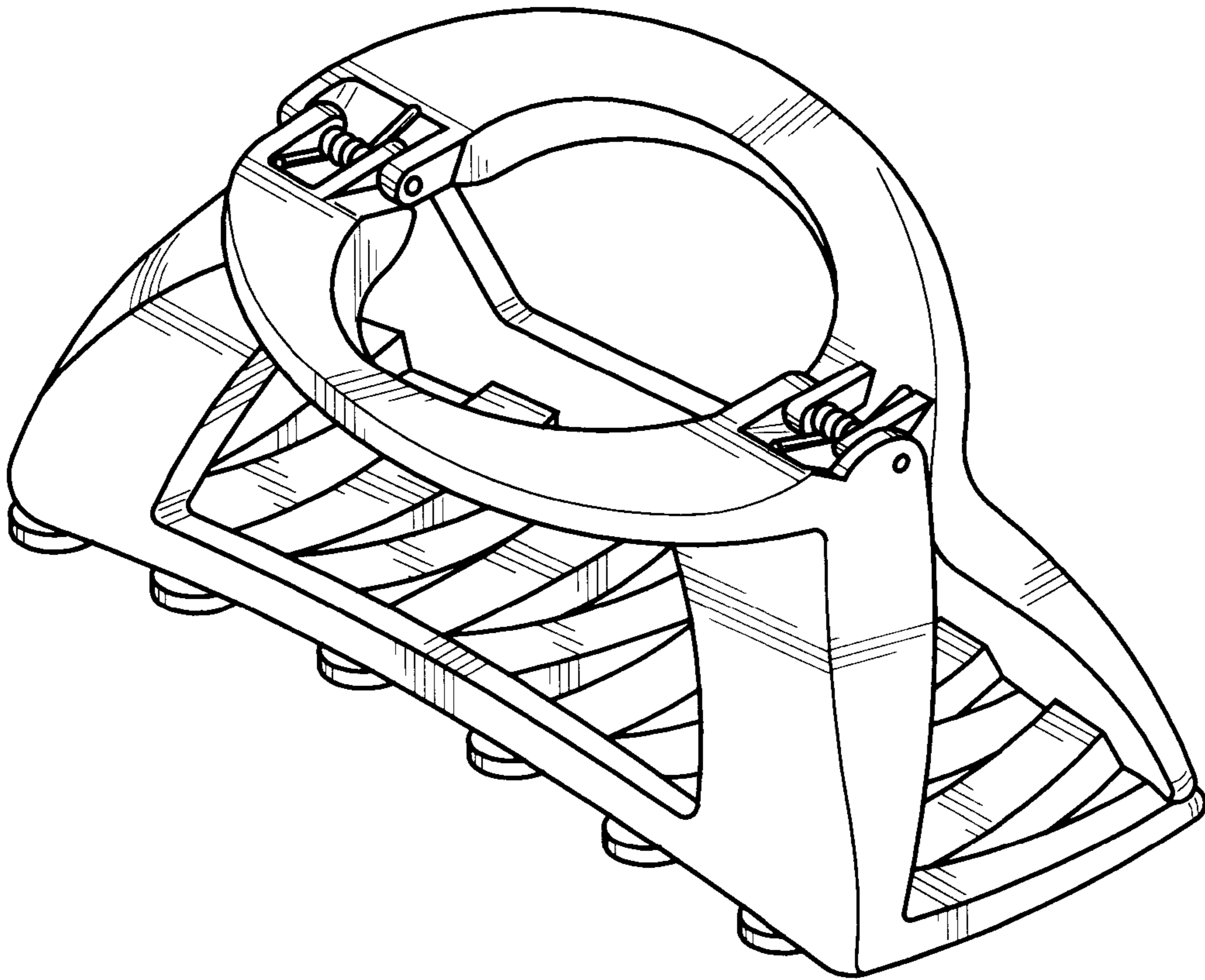


FIG. 1

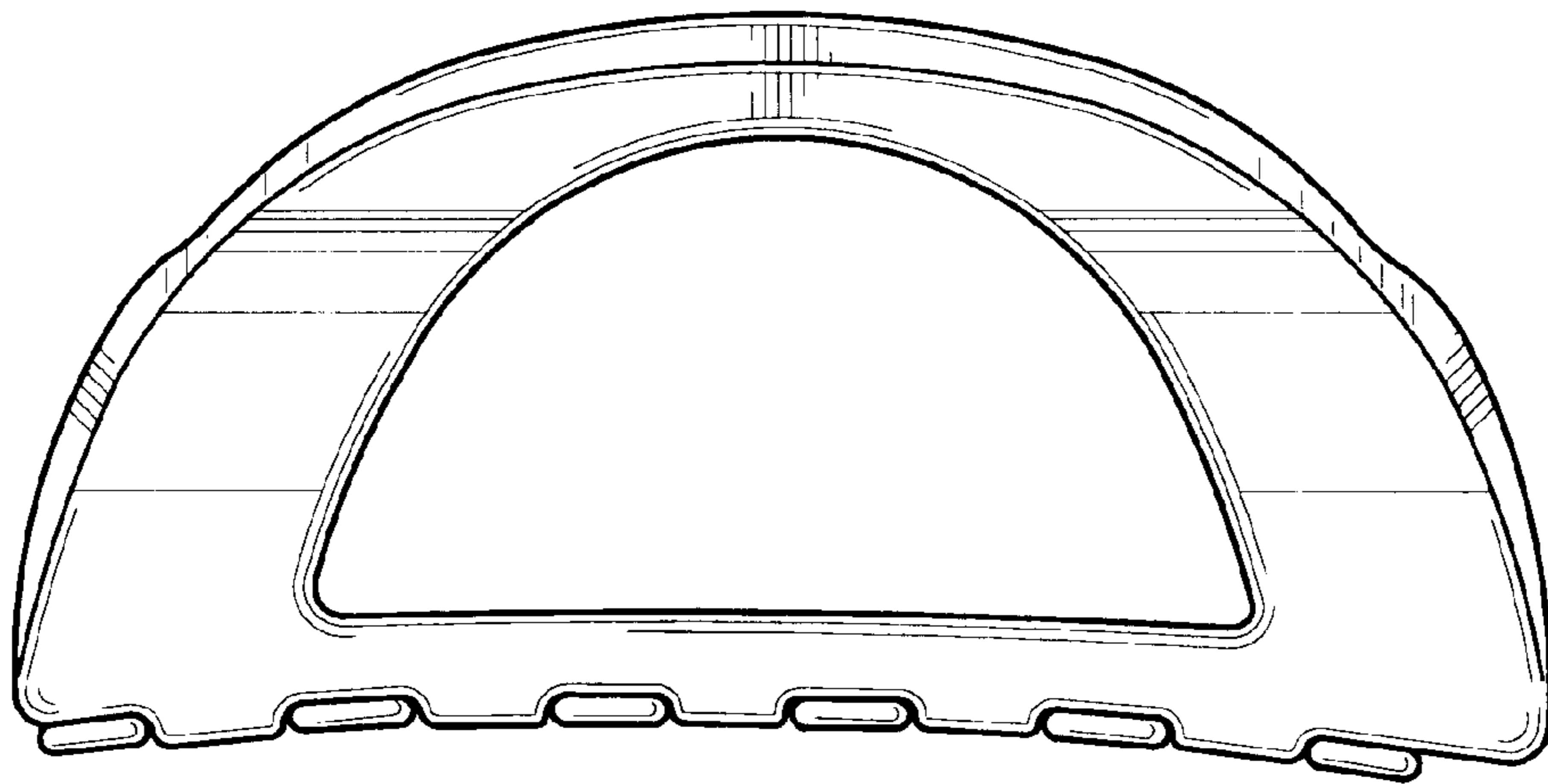


FIG. 2

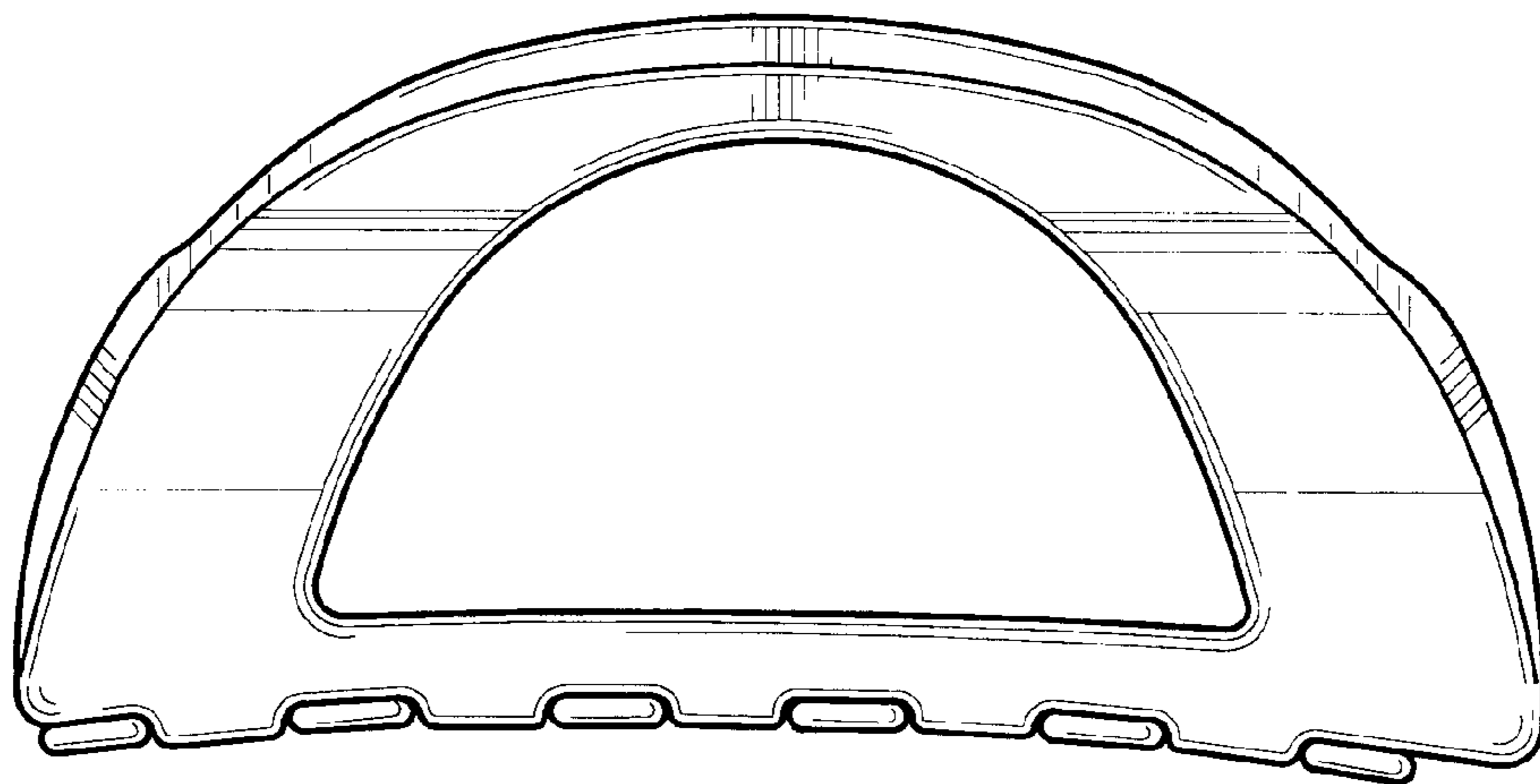


FIG. 3

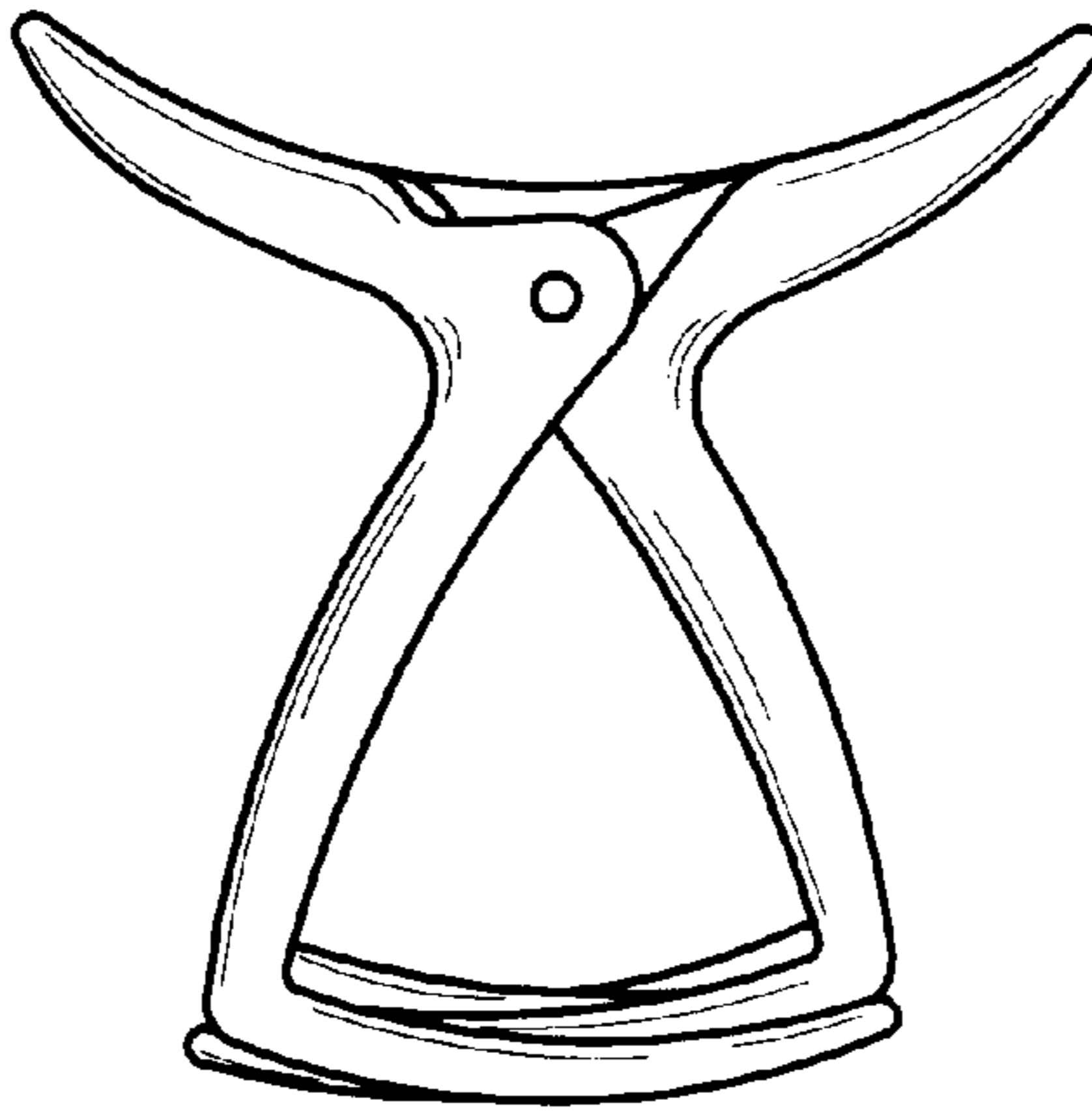


FIG. 4

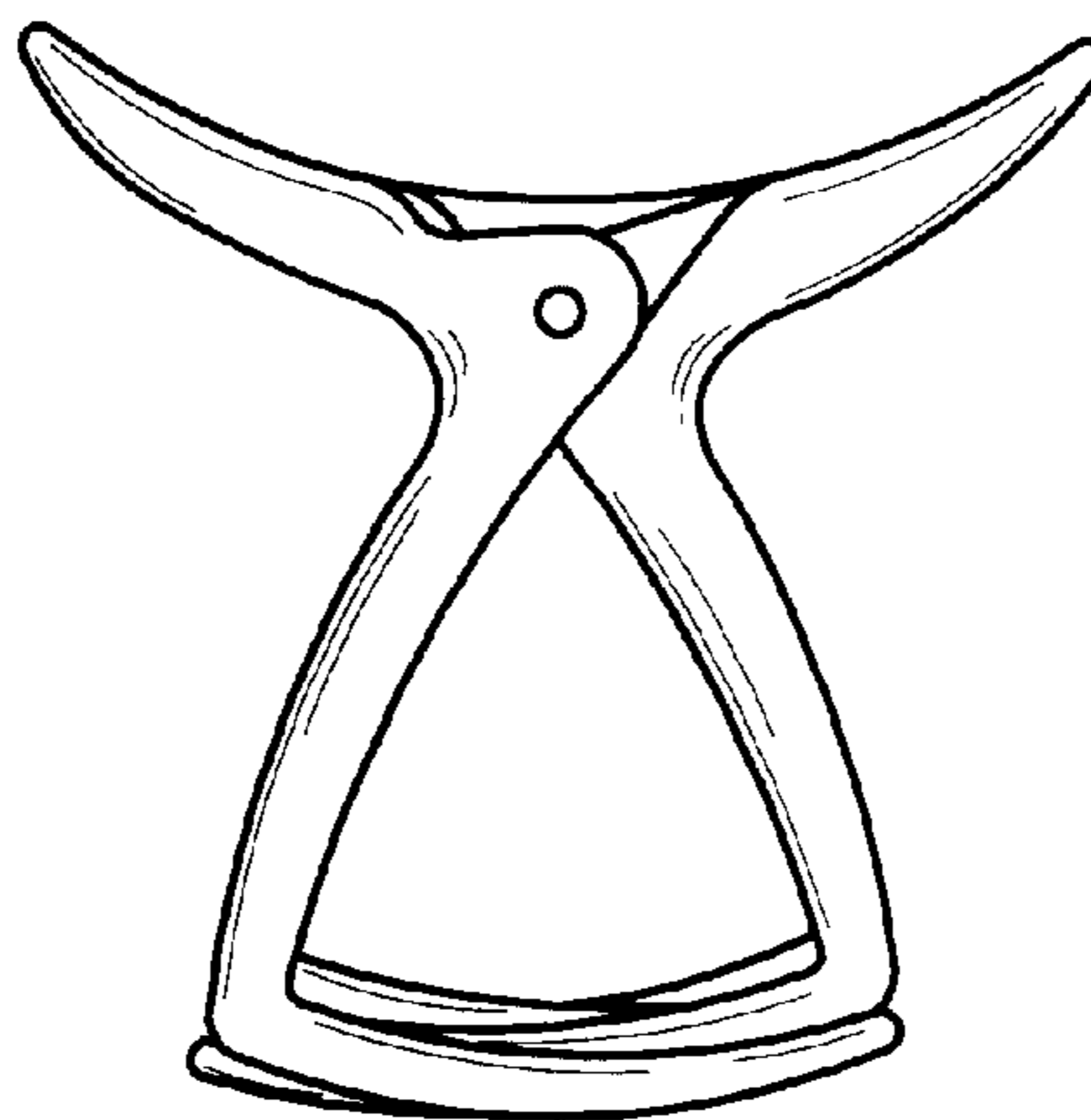


FIG. 5

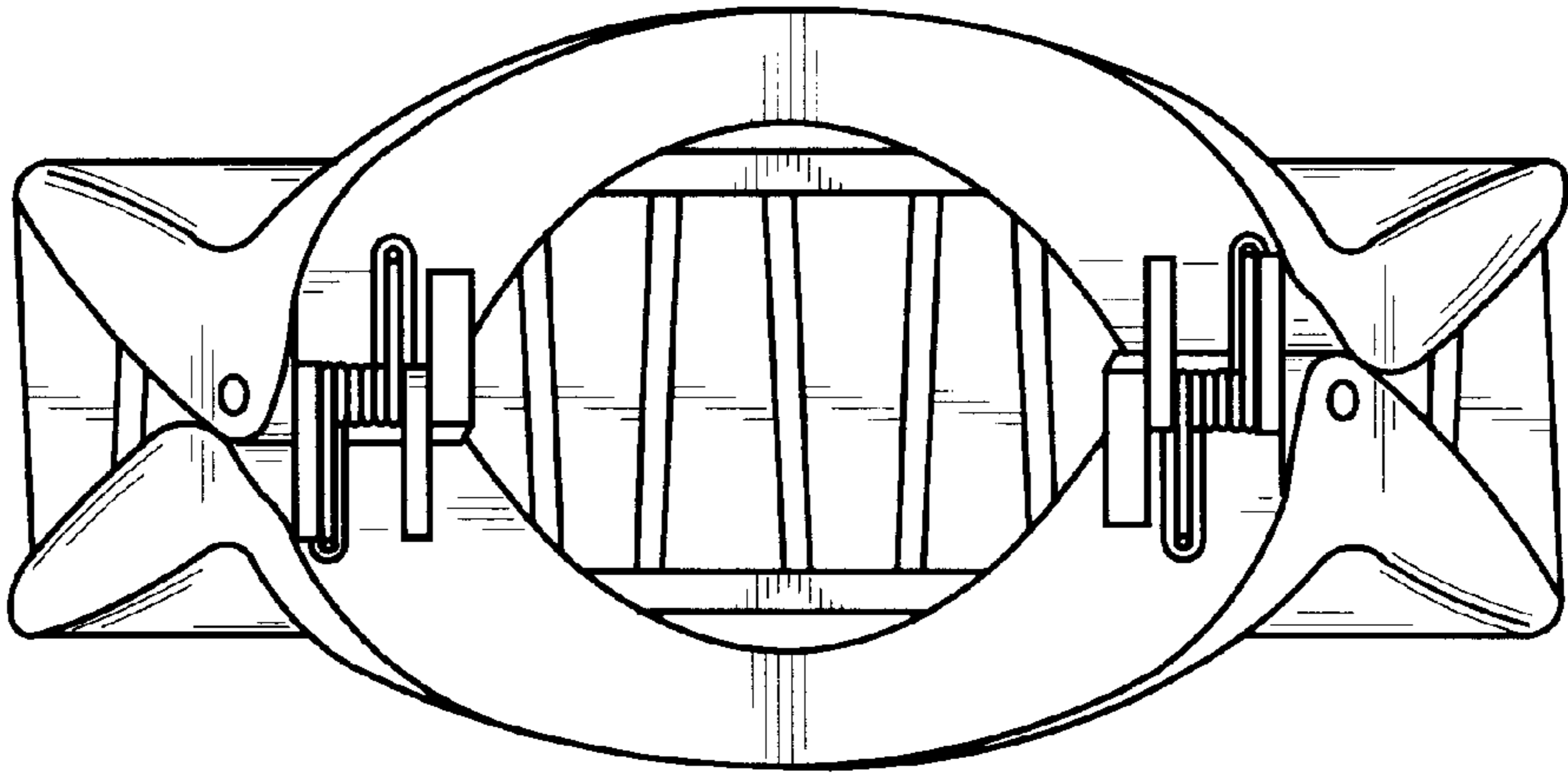


FIG. 6

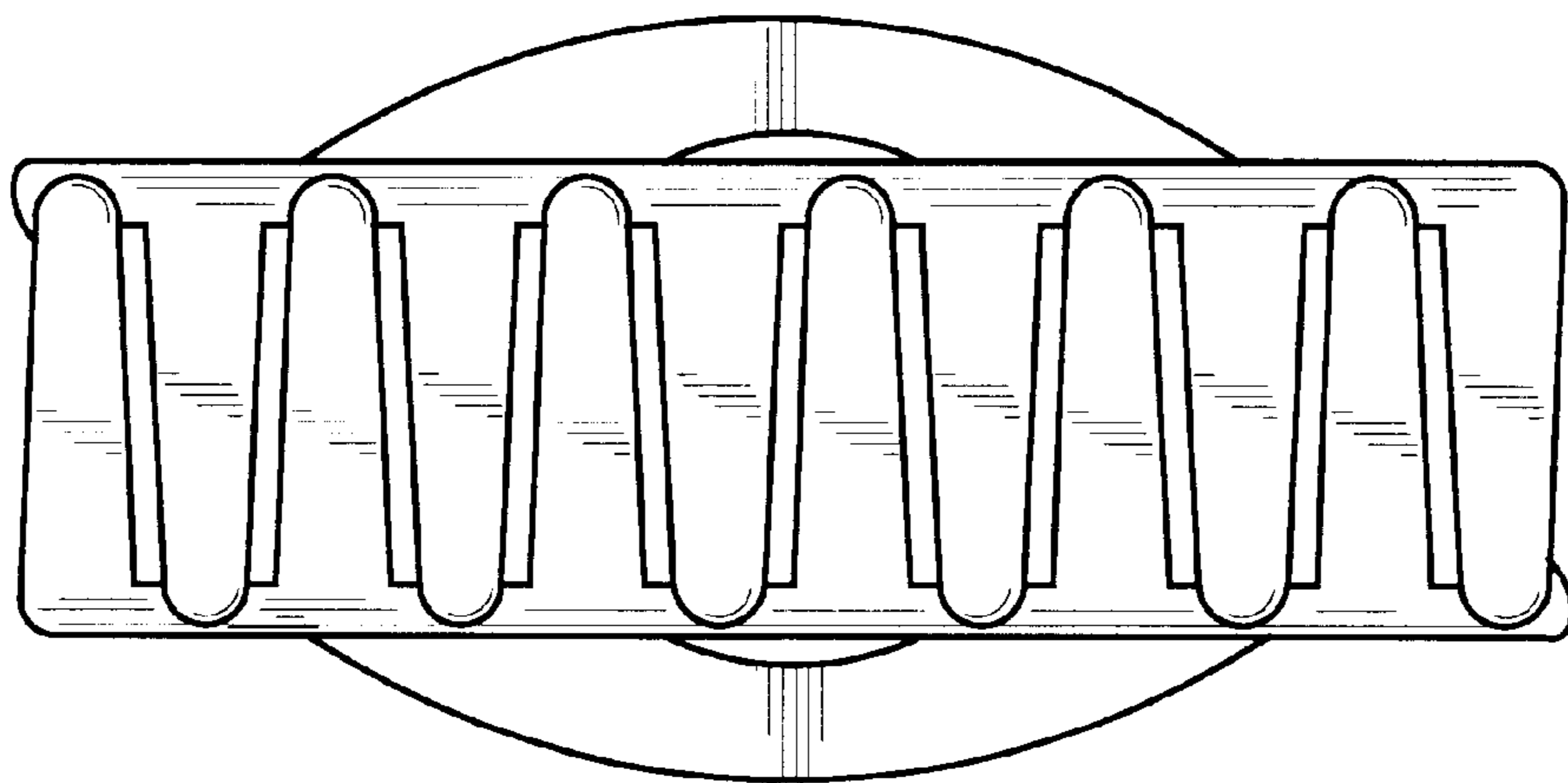


FIG. 7