



US00D473008S

(12) **United States Design Patent**  
**Ward**

(10) **Patent No.:** **US D473,008 S**

(45) **Date of Patent:** **\*\* Apr. 8, 2003**

(54) **STEPLIGHT**

D458,403 S \* 6/2002 Landefeld et al. .... D26/67

(75) Inventor: **Patrick H. Ward**, San Antonio, TX  
(US)

\* cited by examiner

*Primary Examiner*—Jennifer Rivard

(73) Assignee: **Lucifer Lighting Co.**, San Antonio, TX  
(US)

(74) *Attorney, Agent, or Firm*—Jenkins & Gilchrist, P.C.

(\*\*) Term: **14 Years**

(57) **CLAIM**

I claim the ornamental design for a steplight, as shown and described.

(21) Appl. No.: **29/153,084**

**DESCRIPTION**

(22) Filed: **Jan. 4, 2002**

(51) **LOC (7) Cl.** ..... **26-99**

(52) **U.S. Cl.** ..... **D26/119**

(58) **Field of Search** ..... 362/153, 153.1,  
362/431, 322, 325, 282; D26/113, 118,  
119, 67

FIG. 1 is a perspective view of the steplight with its fixture mounting shown in phantom;  
FIG. 2 is a top plan view;  
FIG. 3 is a left side elevational view;  
FIG. 4 is front elevational view;  
FIG. 5 is a rear elevational view;  
FIG. 6 is a right side elevational view; and,  
FIG. 7 is a bottom plan view.

The broken line environmental showing is for illustrative purposes only and forms no part of the claimed design.

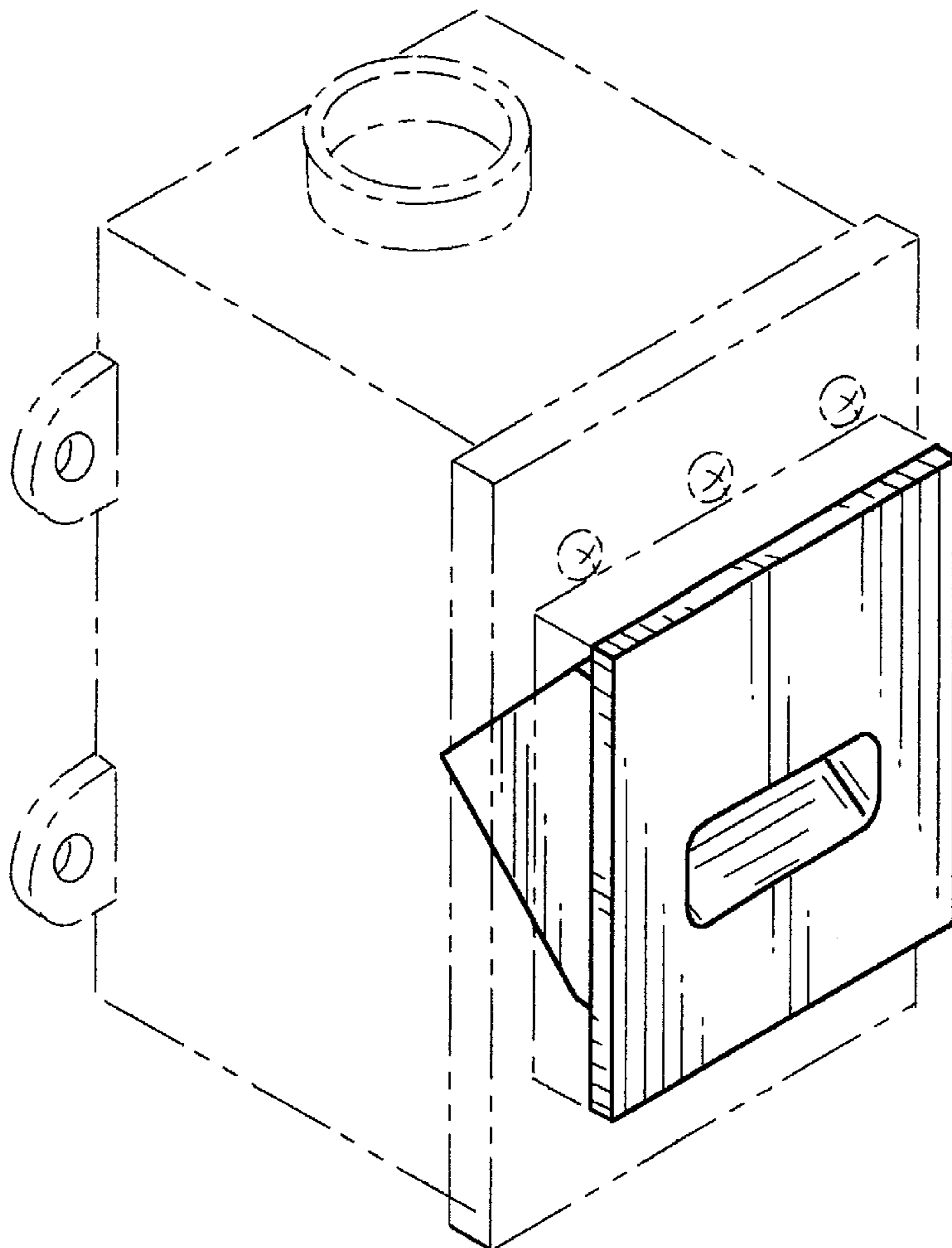
(56) **References Cited**

**U.S. PATENT DOCUMENTS**

D265,252 S \* 6/1982 McNaughton et al. .... D26/139

D398,417 S \* 9/1998 Fritzsche et al. .... D26/119

**1 Claim, 3 Drawing Sheets**



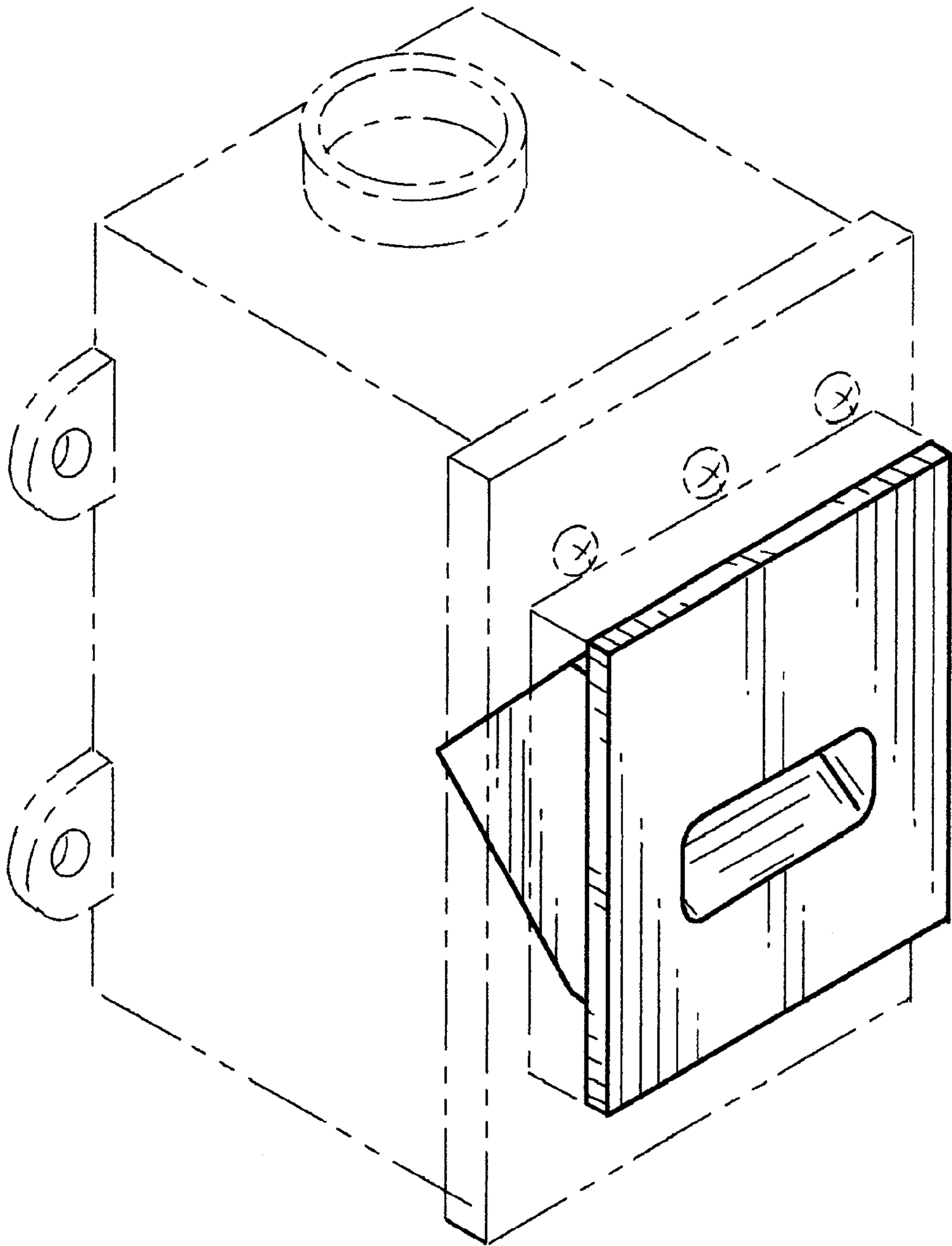
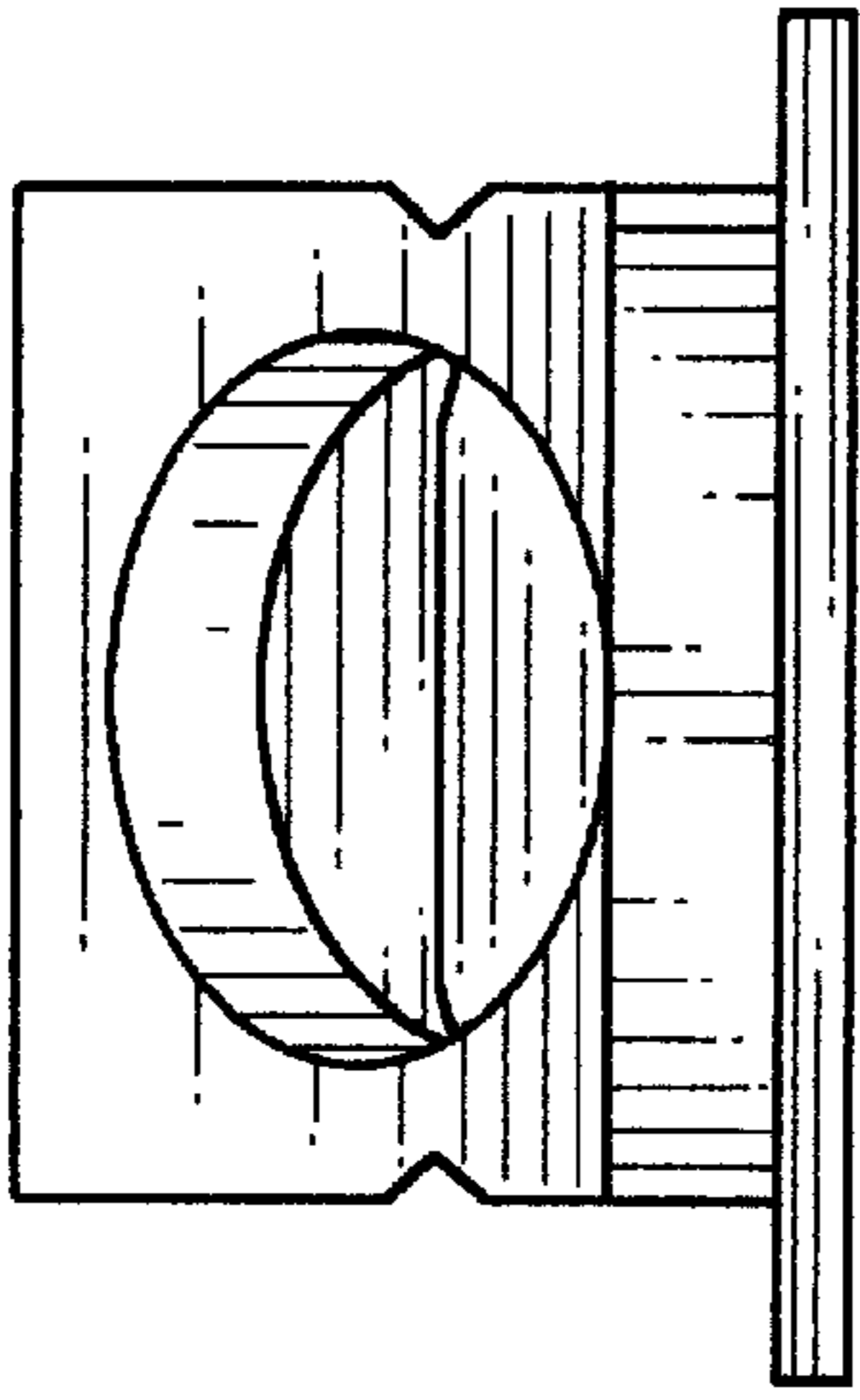
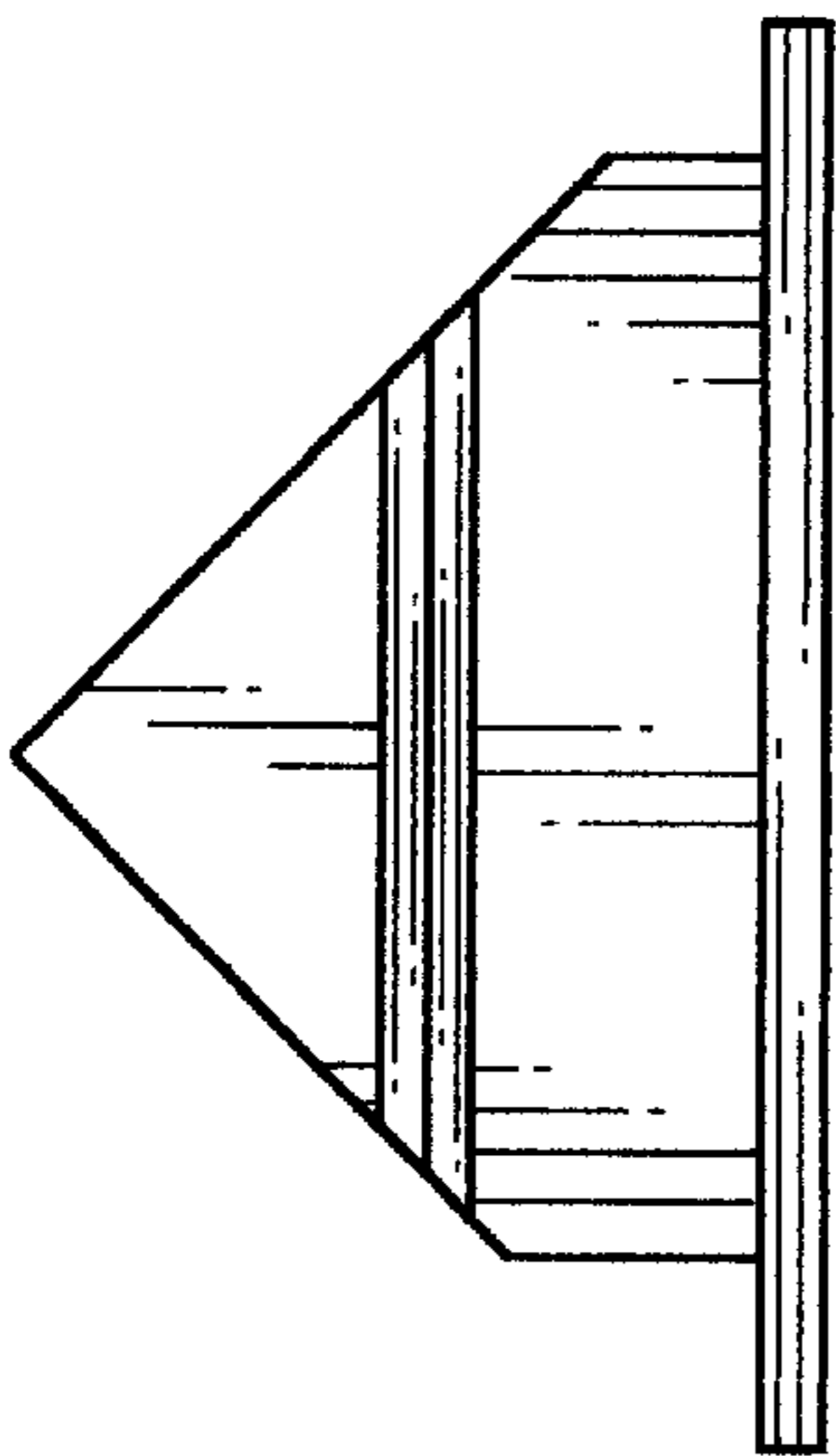


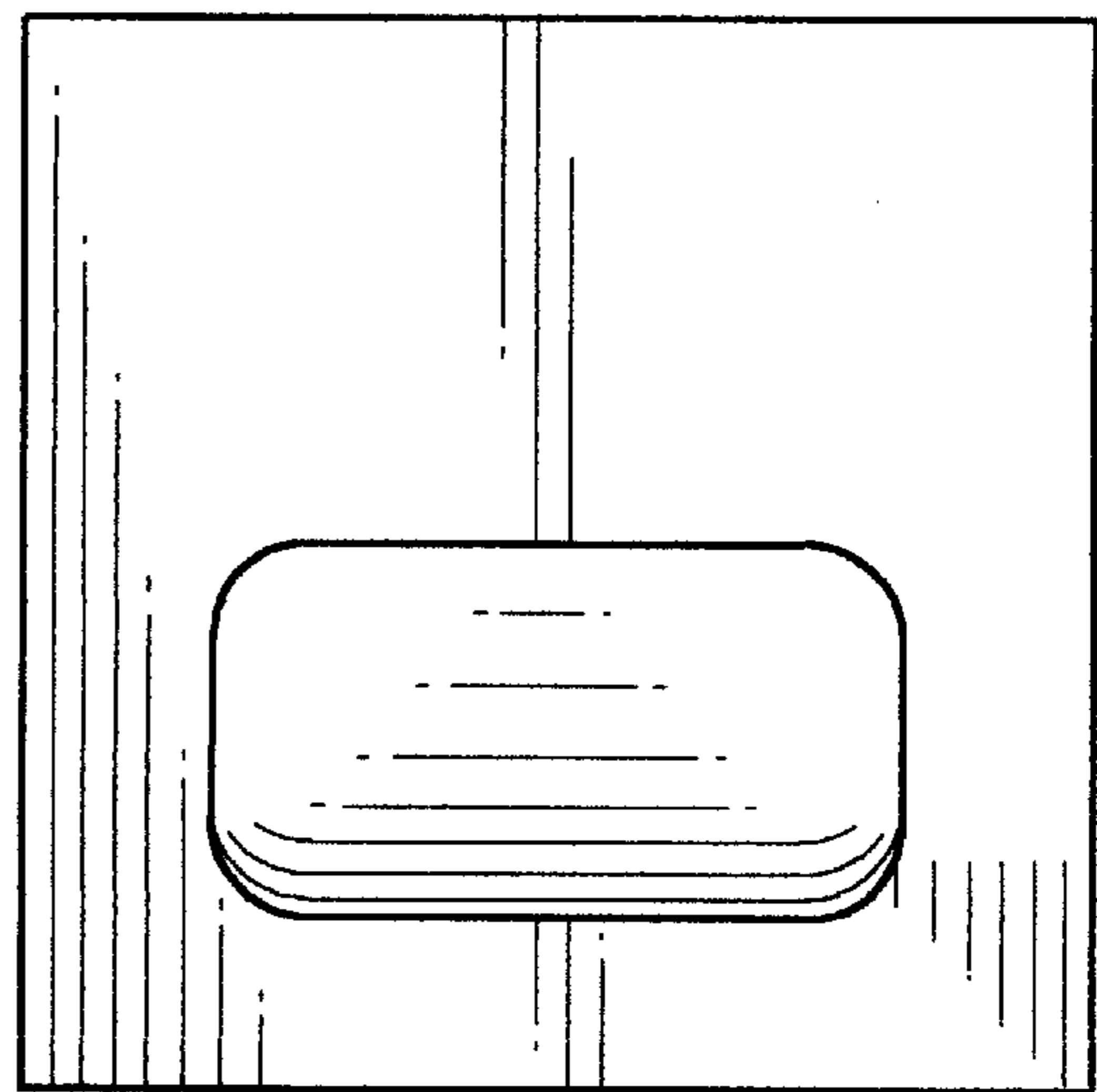
Fig. 1



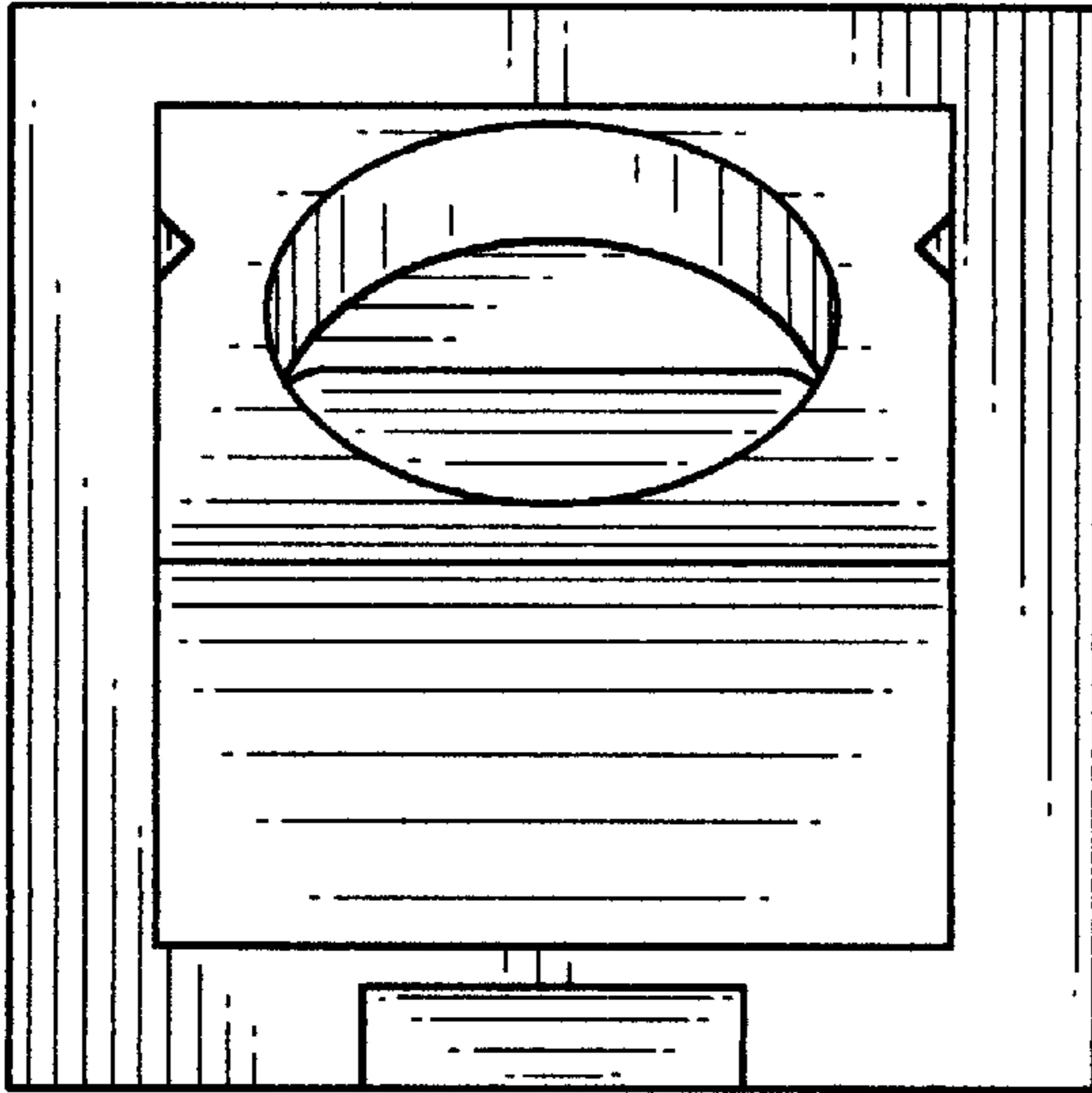
*Fig. 2*



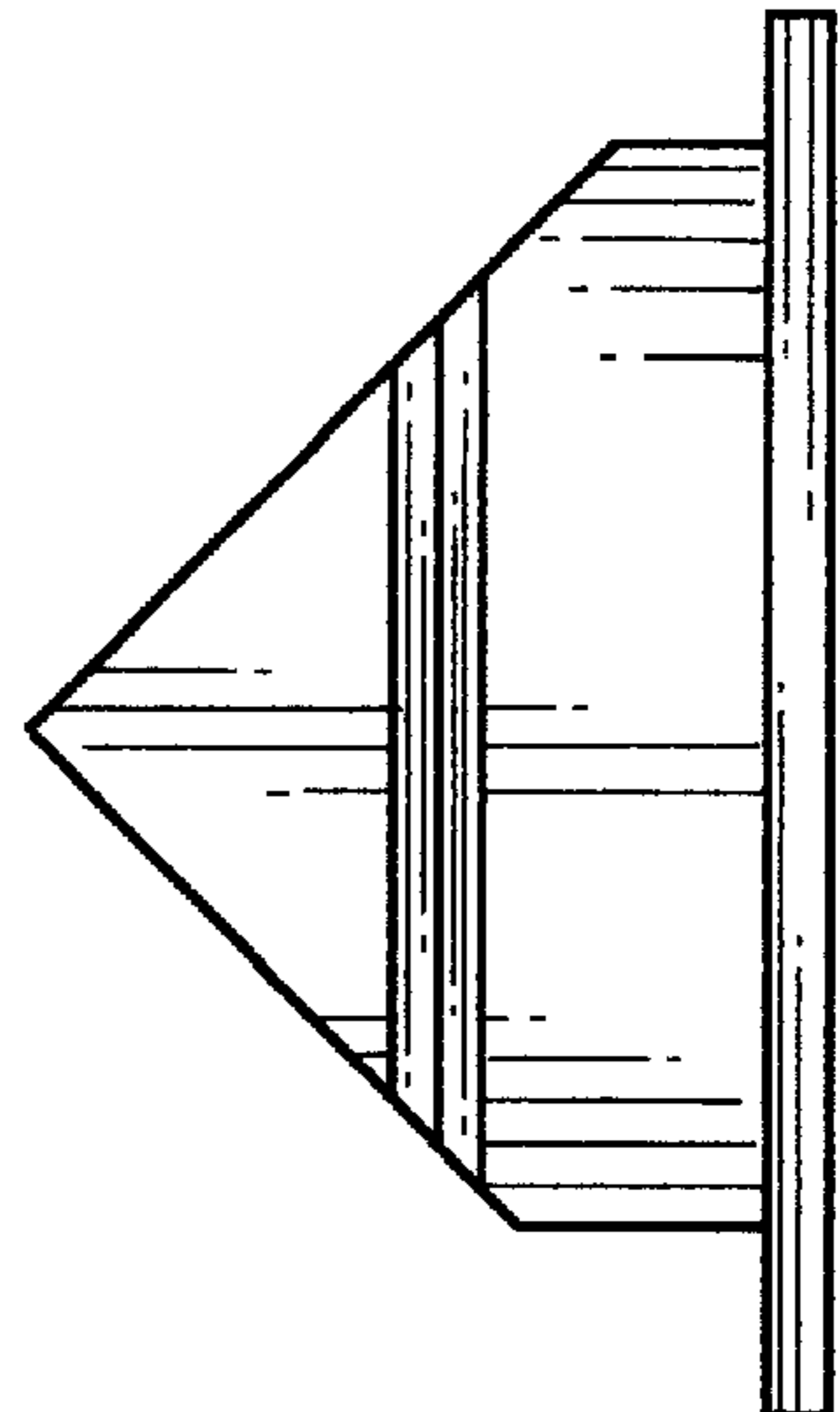
*Fig. 3*



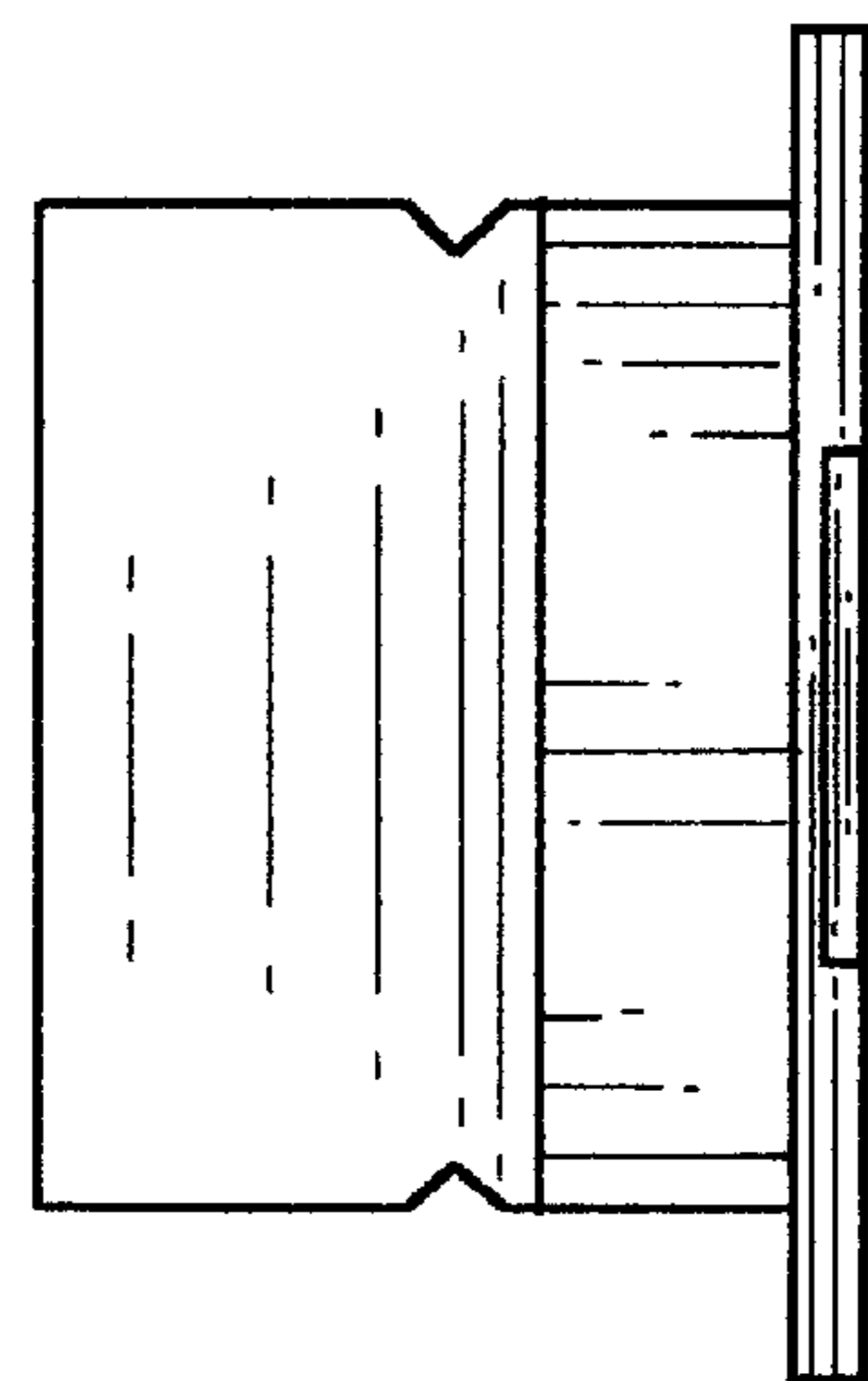
*Fig. 4*



*Fig. 5*



*Fig. 6*



*Fig. 7*