



US00D473007S

(12) **United States Design Patent**  
**Herst et al.**

(10) **Patent No.:** **US D473,007 S**

(45) **Date of Patent:** **\*\* Apr. 8, 2003**

(54) **LIGHTING FIXTURE HOUSING EDGE**

(57) **CLAIM**

(75) Inventors: **Douglas J. Herst**, Ross, CA (US);  
**Utkan Salman**, Oakland, CA (US)

The ornamental design for a lighting fixture housing edge, as shown and described.

(73) Assignee: **Acuity Brands, Inc.**, Atlanta, GA (US)

**DESCRIPTION**

(\*\*) Term: **14 Years**

FIG. 1 is a broken away bottom perspective view of a lighting fixture housing edge showing our new design;

(21) Appl. No.: **29/152,942**

FIG. 2 is a cross-sectional view thereof;

(22) Filed: **Dec. 24, 2001**

FIG. 3 is an enlarged cross-sectional view thereof;

(51) **LOC (7) Cl.** ..... **26-99**

FIG. 4 is an enlarged side elevational view thereof;

(52) **U.S. Cl.** ..... **D26/113**

FIG. 5 is an enlarged bottom plan view thereof;

(58) **Field of Search** ..... D26/75-77, 118,  
D26/138, 113; 362/219, 223, 341, 346,  
225, 296, 362, 457

FIG. 6 is a broken away bottom perspective view of an alternative embodiment of the lighting fixture housing edge shown in FIGS. 1-5;

(56) **References Cited**

FIG. 7 is a cross-sectional view thereof;

**U.S. PATENT DOCUMENTS**

5,051,878	A	*	9/1991	Ngai	.....	362/346
5,709,460	A	*	1/1998	Lester	.....	362/225
6,152,573	A	*	11/2000	Mitchell	.....	362/217
6,193,394	B1	*	2/2001	Herst et al.	.....	362/225
6,273,592	B1	*	8/2001	Herst et al.	.....	362/342

FIG. 8 is an enlarged cross-sectional view thereof;

**OTHER PUBLICATIONS**

- Peerless Lighting Corporation, "Envision", catalog, 1994.
- Peerless Lighting Corporation, "6x2", catalog, 1997.
- Peerless Lighting Corporation, "9x3", catalog, 1995.
- Peerless Lighting Corporation, "6x3", catalog, 1996.
- Peerless Lighting Corporation, "Lightfoil 9", catalog, 1997.
- Peerless Lighting Corporation, "Envision", catalog, 1995.

FIG. 9 is an enlarged side elevational view thereof;

\* cited by examiner

FIG. 10 is an enlarged bottom plan view thereof;

*Primary Examiner*—Jennifer Rivard

(74) *Attorney, Agent, or Firm*—Donald L. Beeson

FIG. 11 is a broken away bottom perspective view of another alternative embodiment of the lighting fixture housing edge shown in FIGS. 1-5;

FIG. 12 is a cross-sectional view thereof;

**1 Claim, 4 Drawing Sheets**

FIG. 13 is an enlarged cross-sectional view thereof;

FIG. 14 is an enlarged side elevational view thereof;

FIG. 15 is an enlarged bottom plan view thereof;

FIG. 16 is a broken away bottom perspective view of a further alternative embodiment of the lighting fixture housing edge shown in FIGS. 1-5;

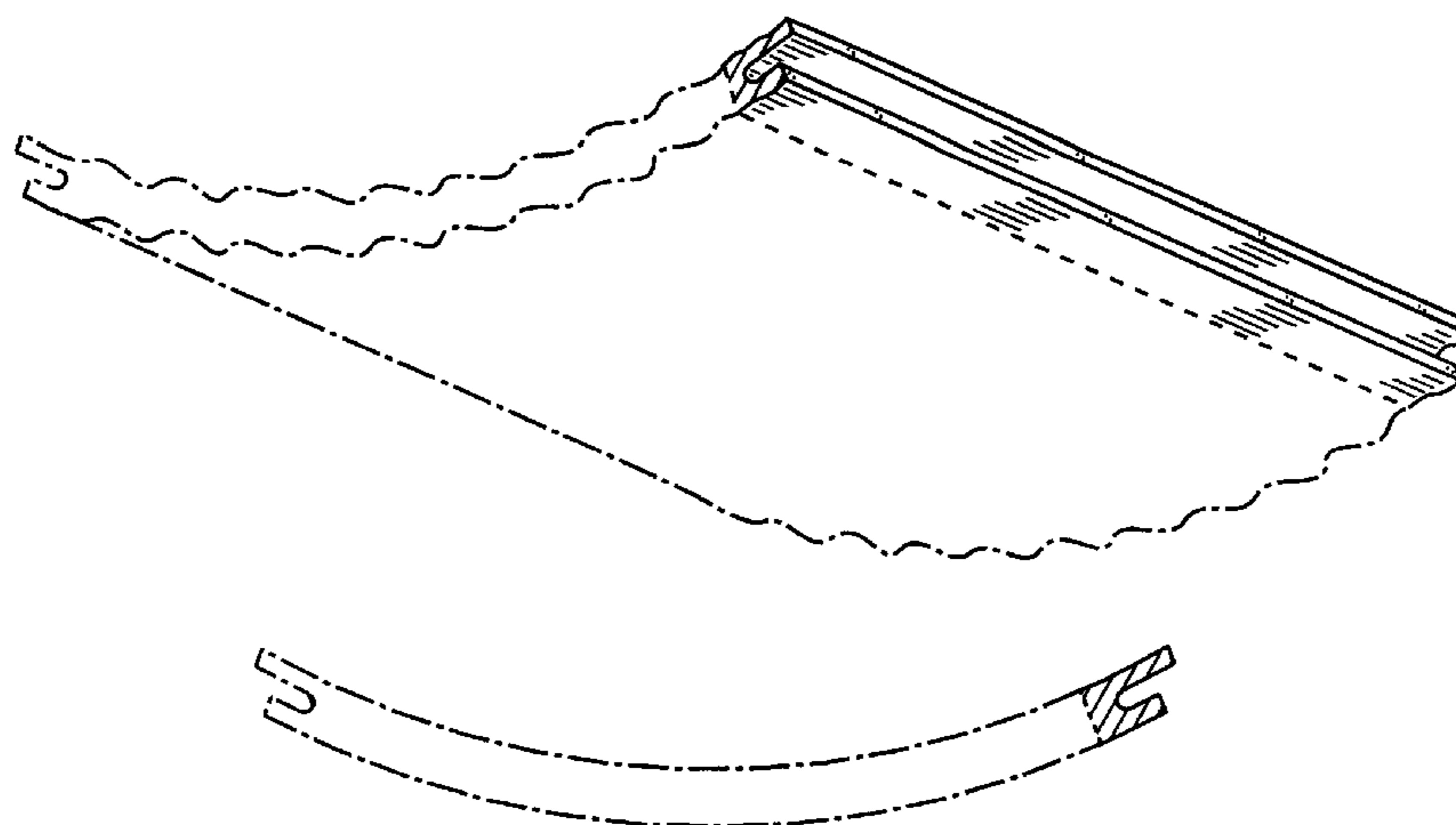
FIG. 17 is a cross-sectional view thereof;

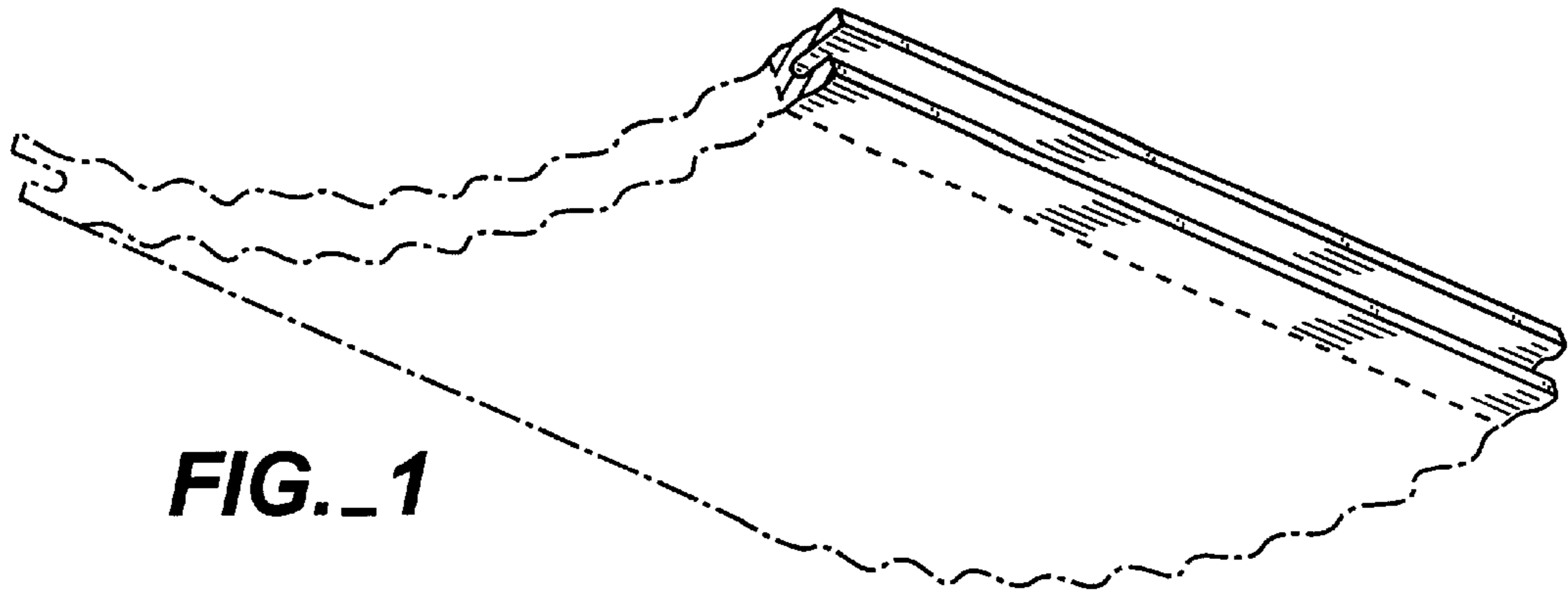
FIG. 18 is an enlarged cross-sectional view thereof;

FIG. 19 is an enlarged side elevational view thereof; and,

FIG. 20 is an enlarged bottom plan view thereof.

FIGS. 1, 4, 5, 6, 9, 10, 11, 14, 15, 16, 19 and 20 are broken away to indicate indeterminate length. The broken lines immediately adjacent the shaded areas represent the bounds of the claim and all other broken lines are for illustrative purposes only. None of the broken lines form part of our claimed design. The top of each embodiment of the lighting fixture housing edge is not visible during normal use and also forms no part of our claimed design.

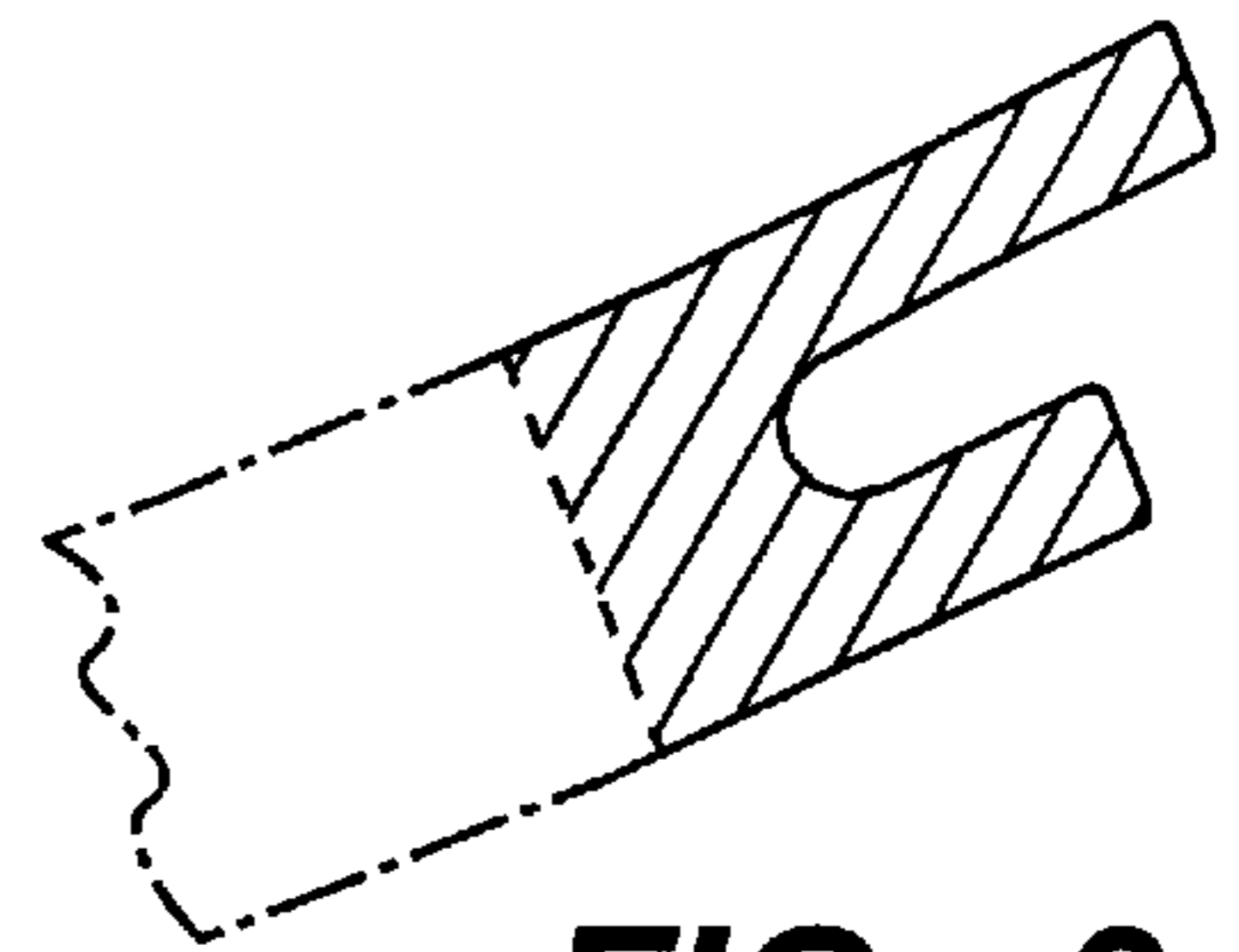




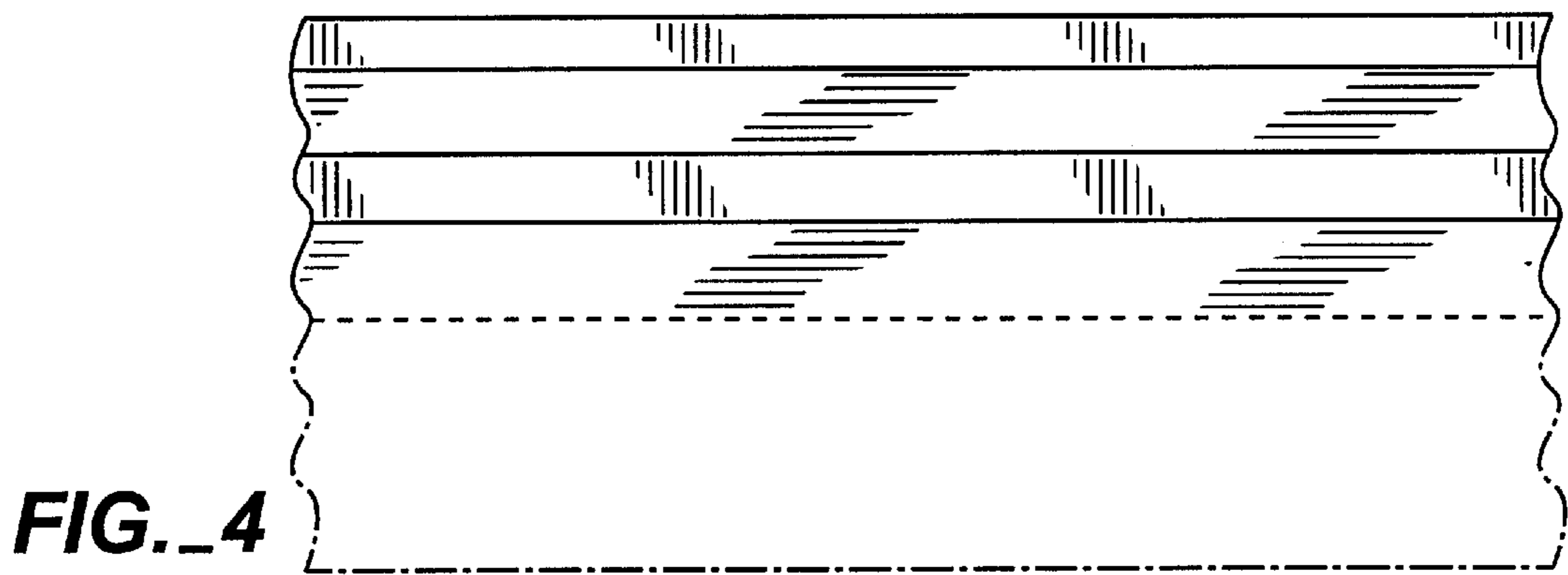
**FIG.\_1**



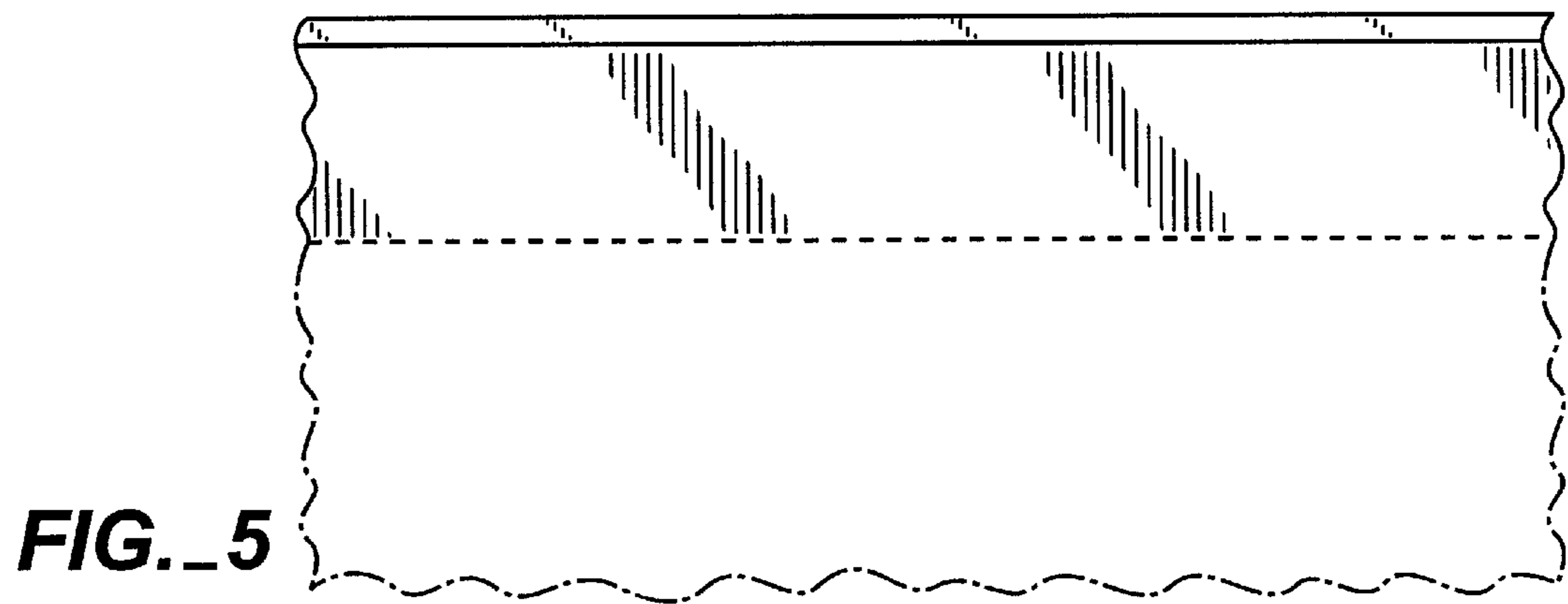
**FIG.\_2**



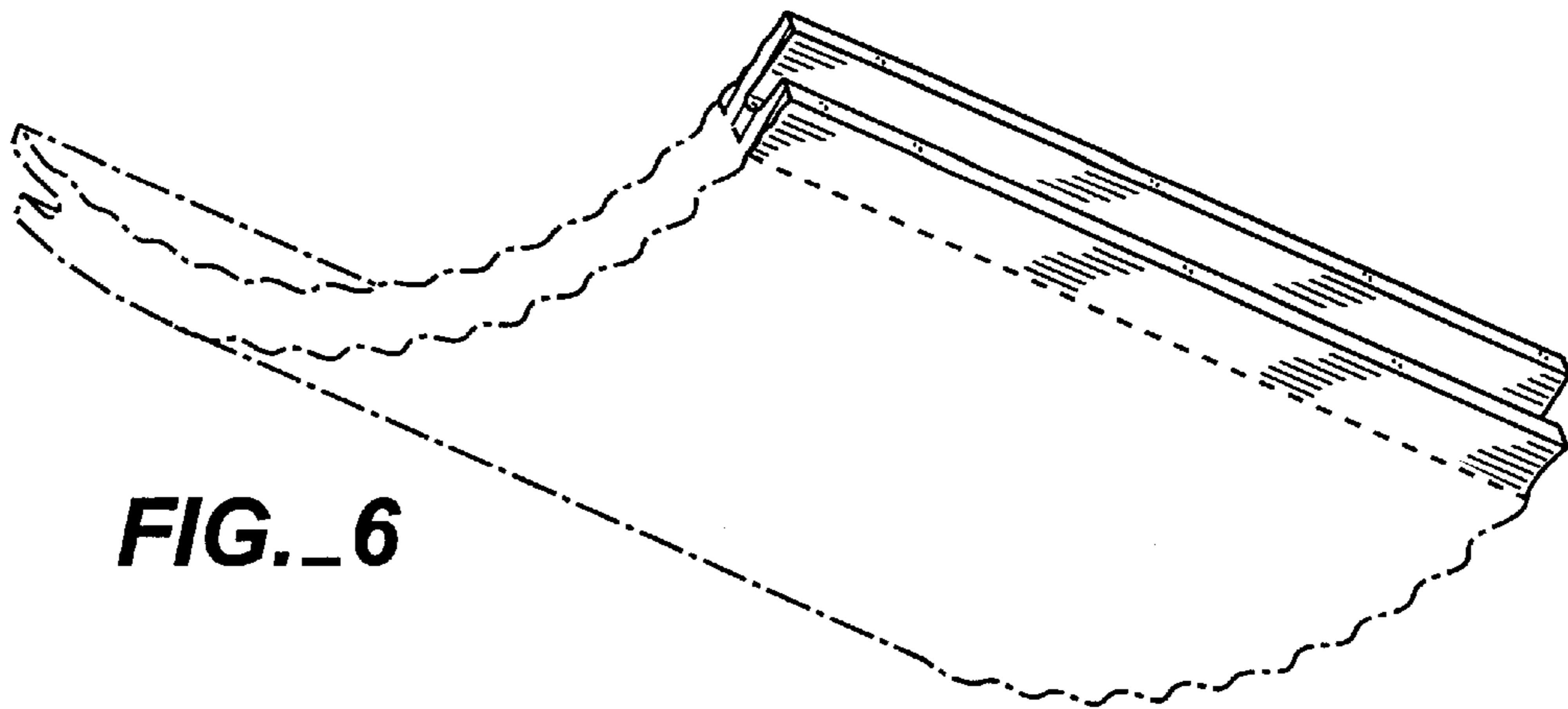
**FIG.\_3**



**FIG.\_4**



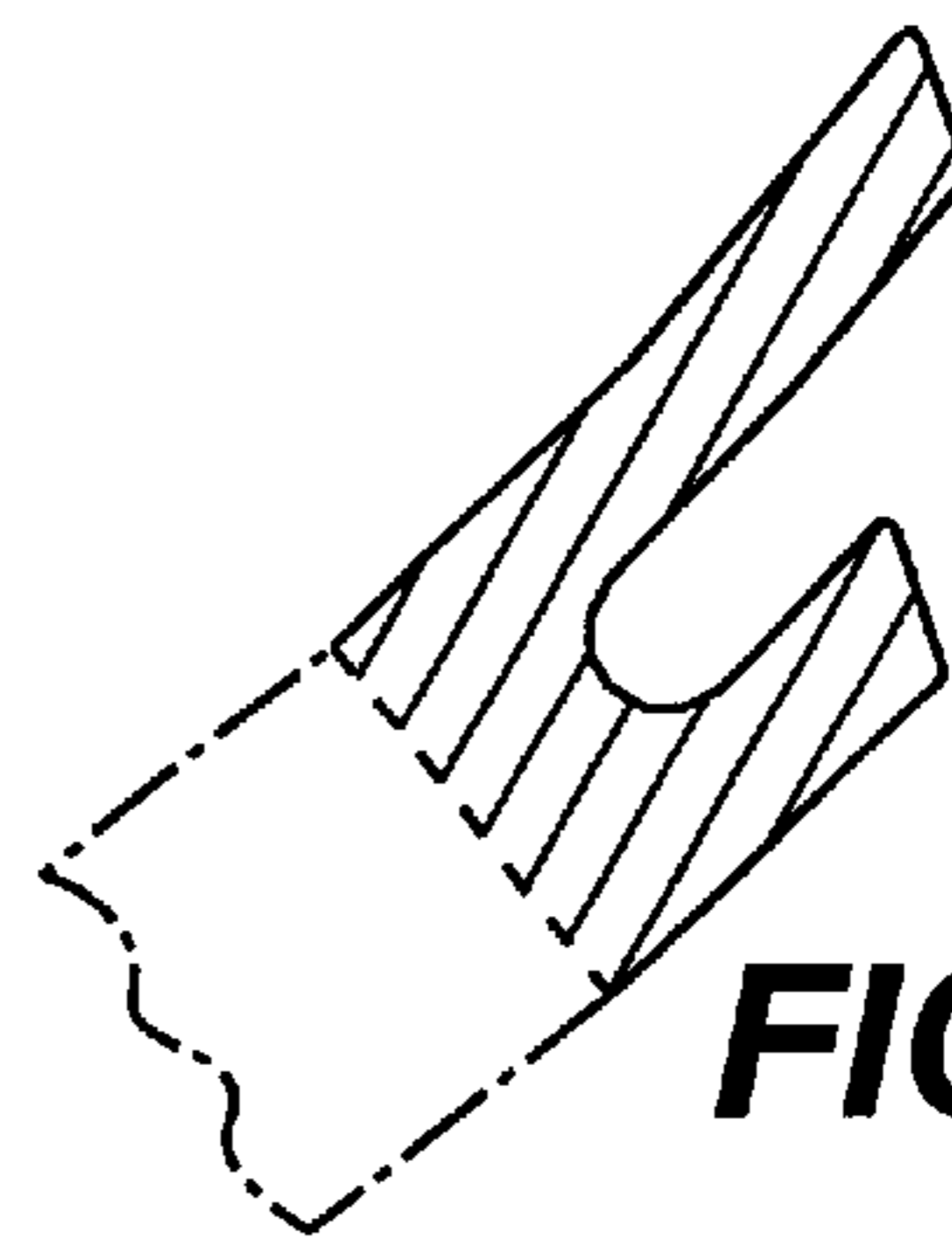
**FIG.\_5**



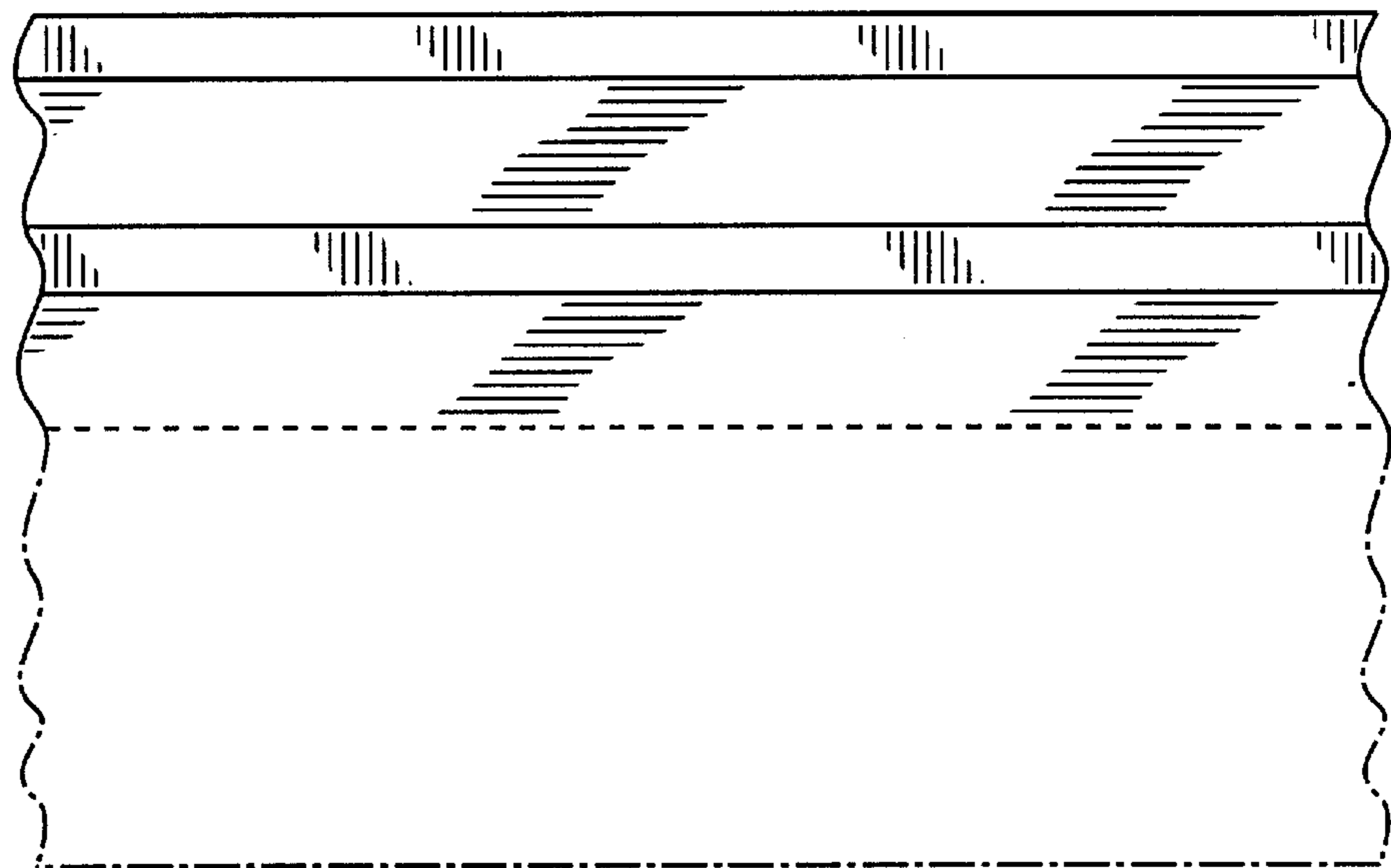
**FIG.\_6**



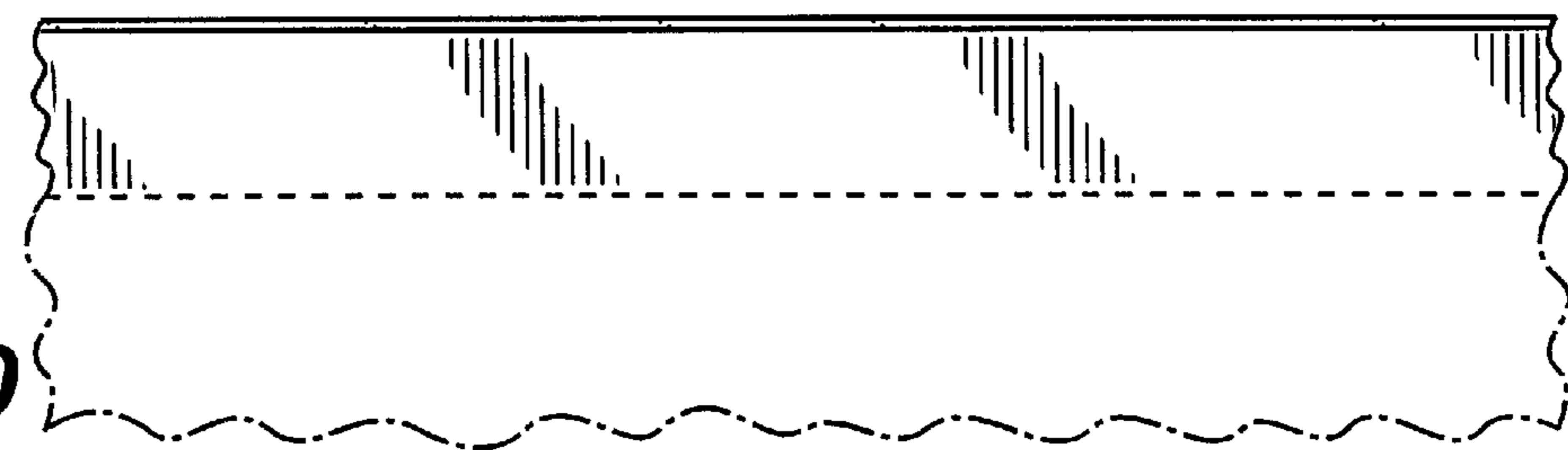
**FIG.\_7**



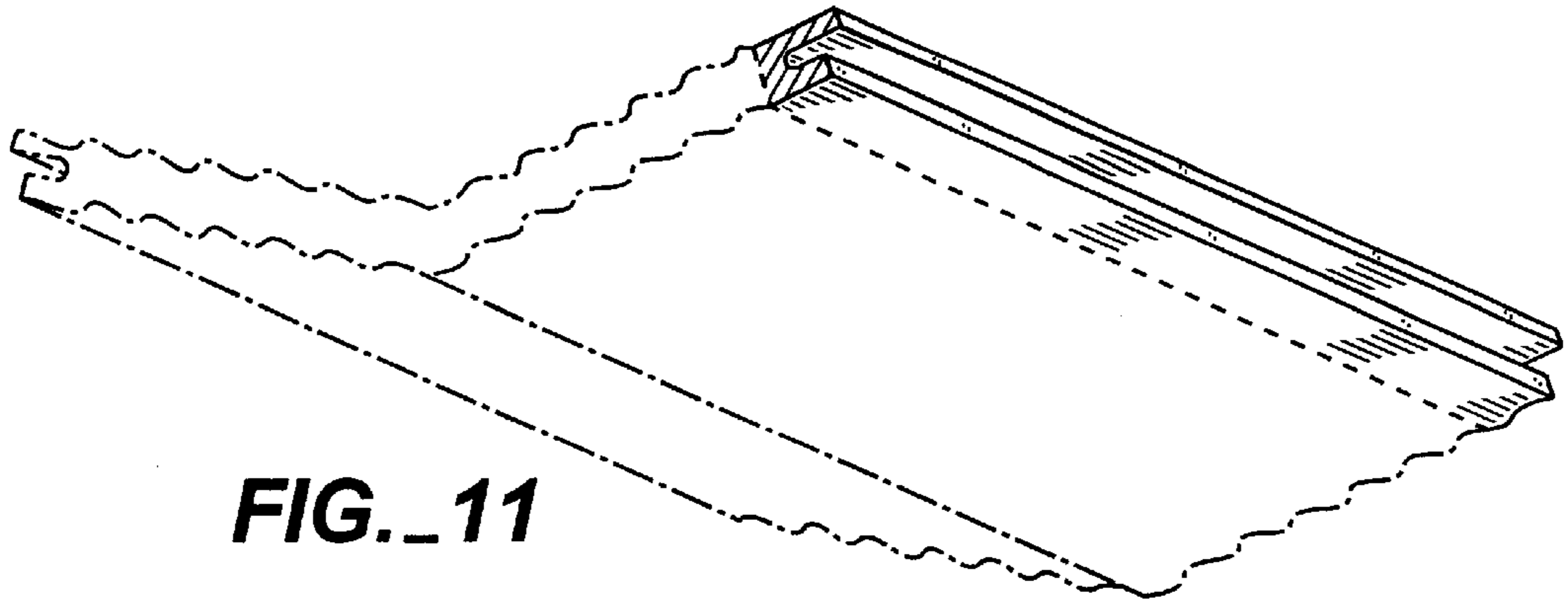
**FIG.\_8**



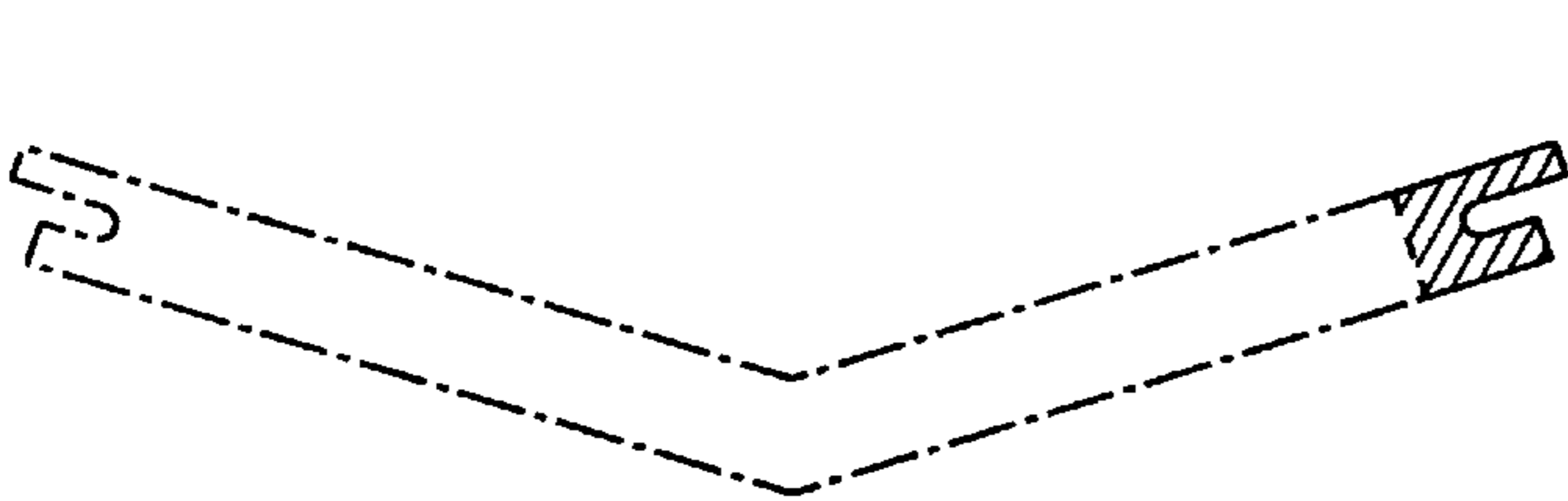
**FIG.\_9**



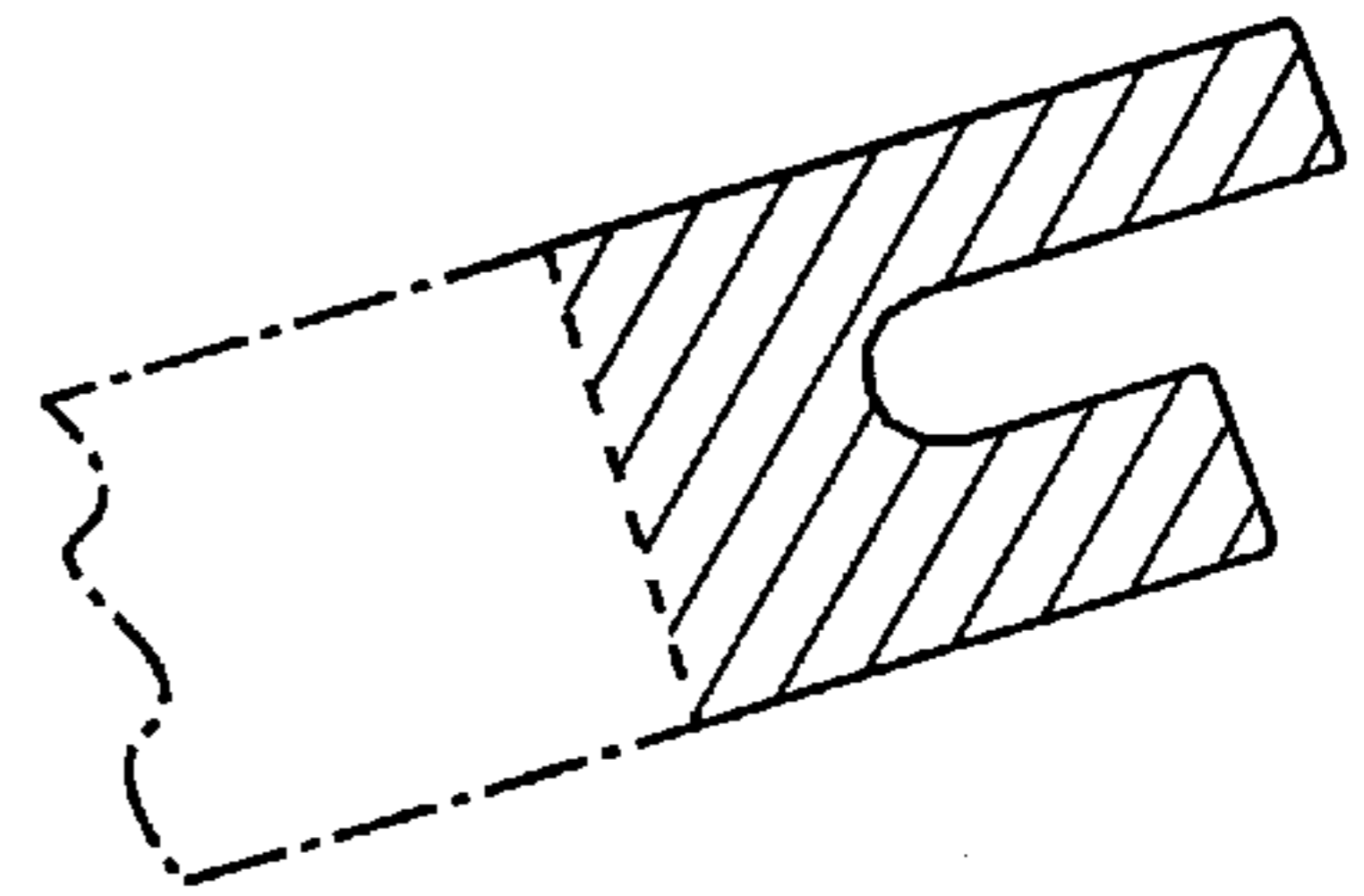
**FIG.\_10**



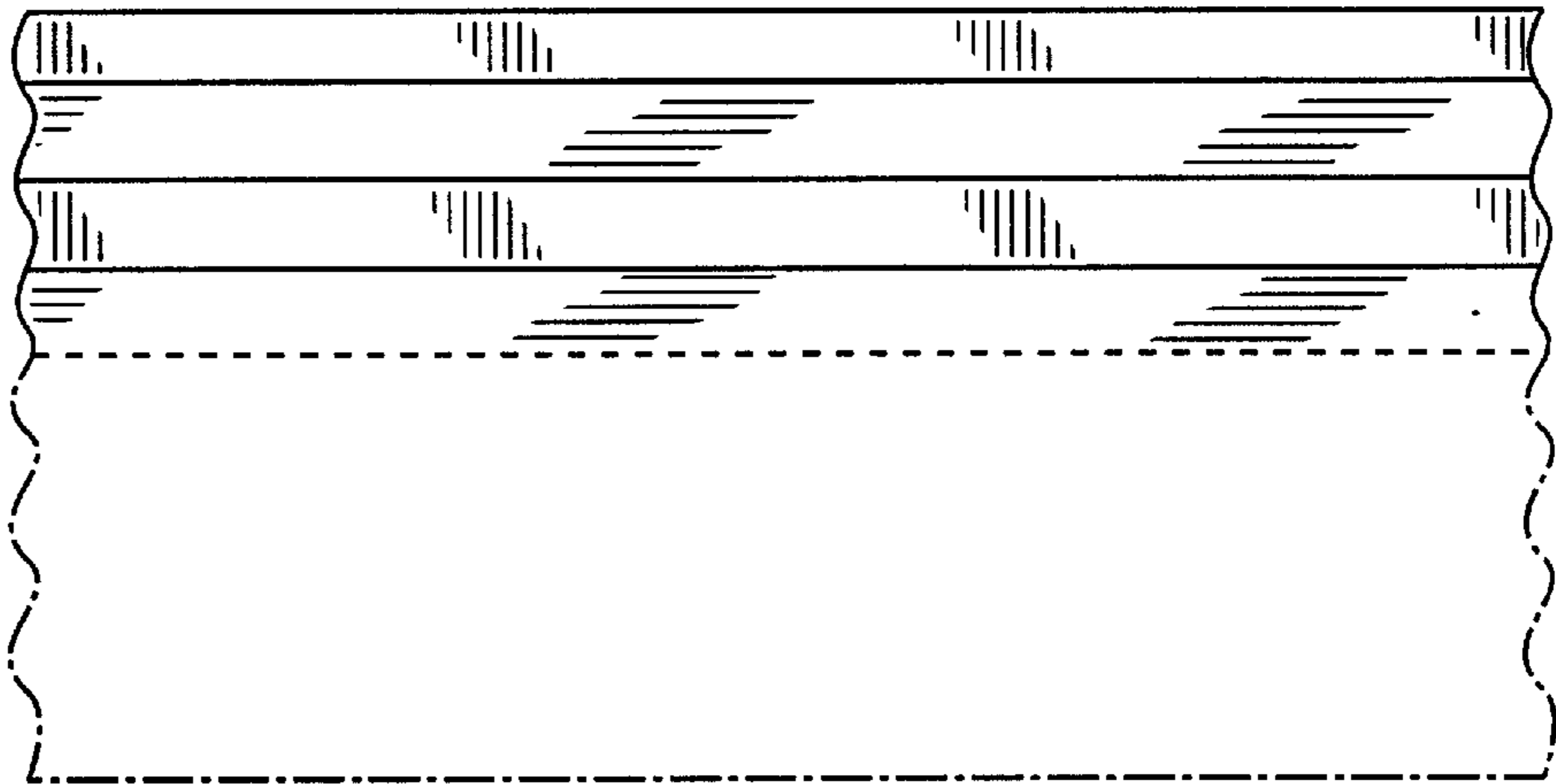
**FIG. 11**



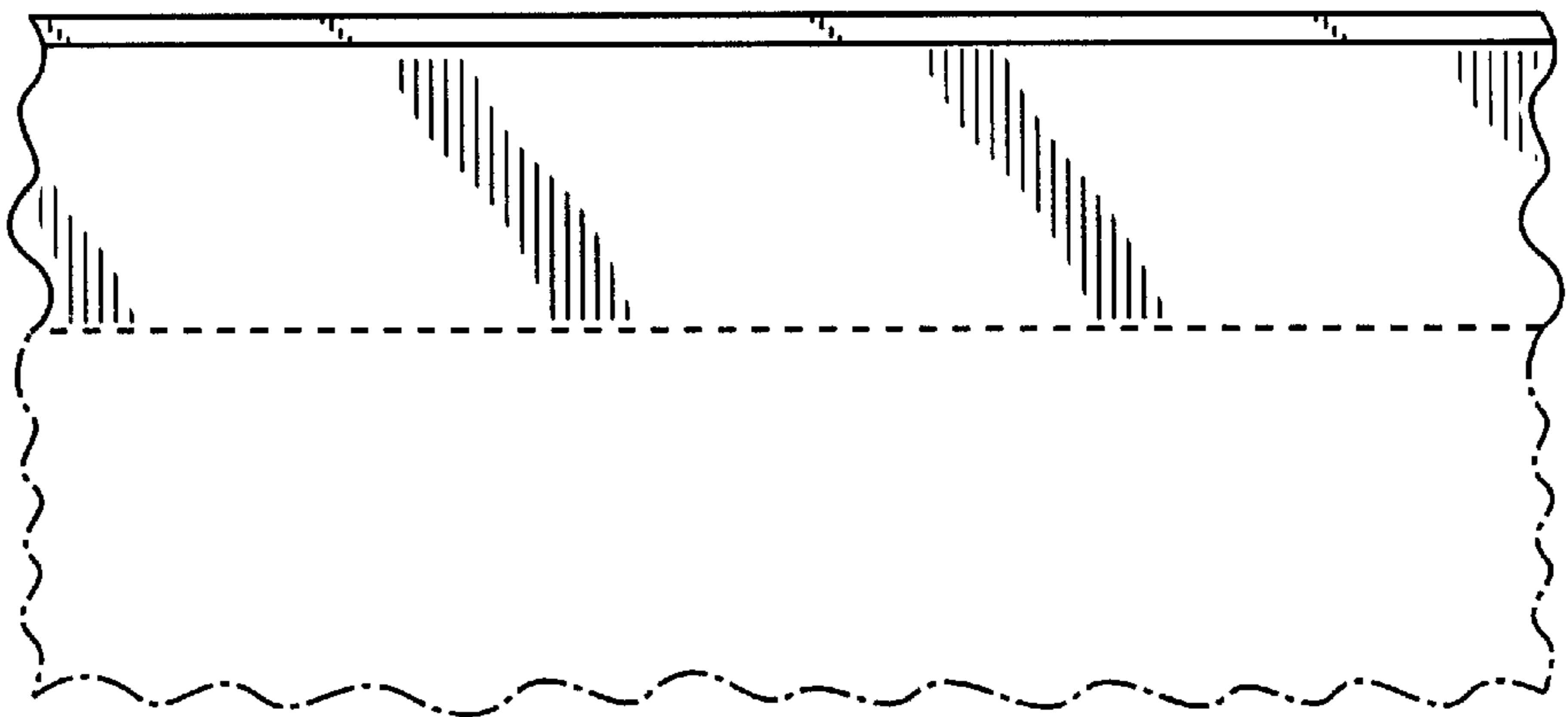
**FIG. 12**



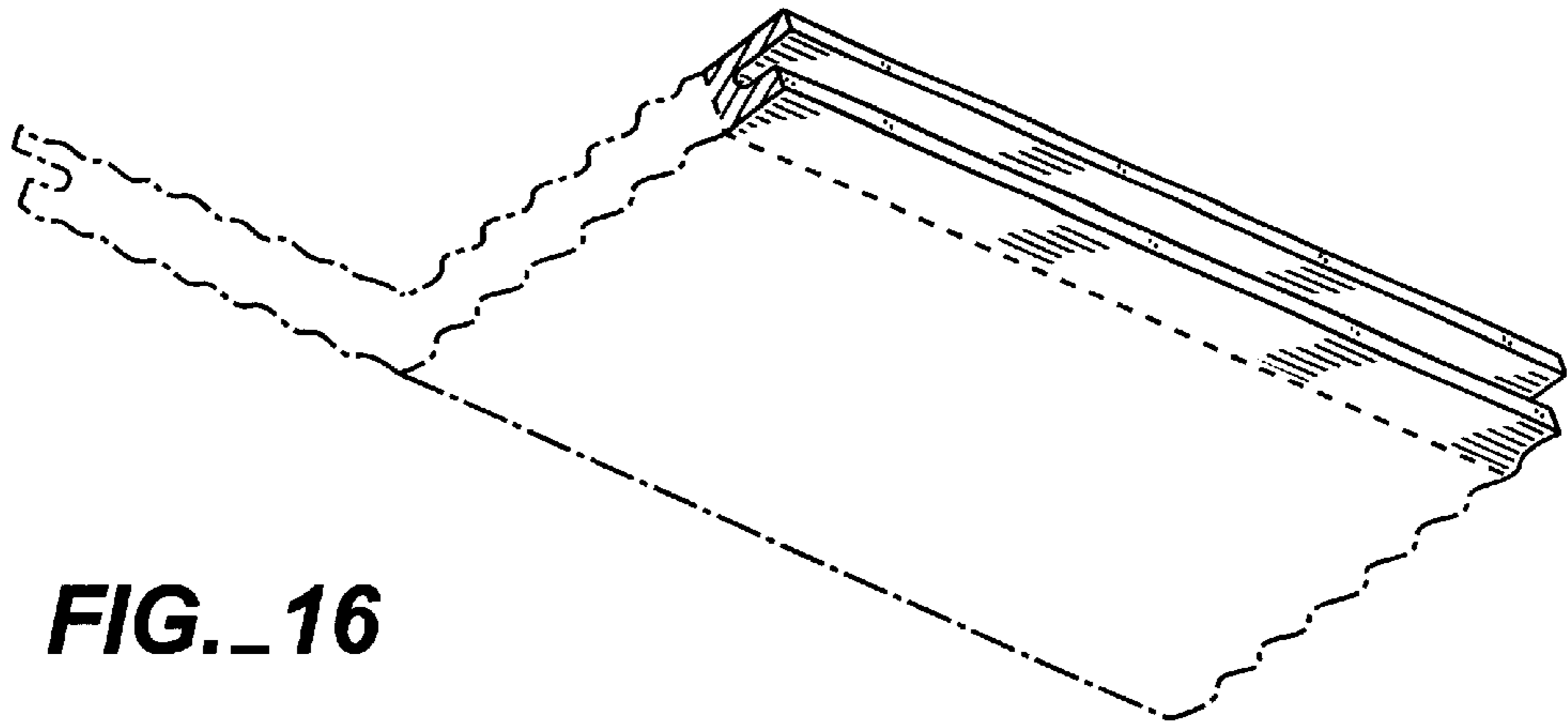
**FIG. 13**



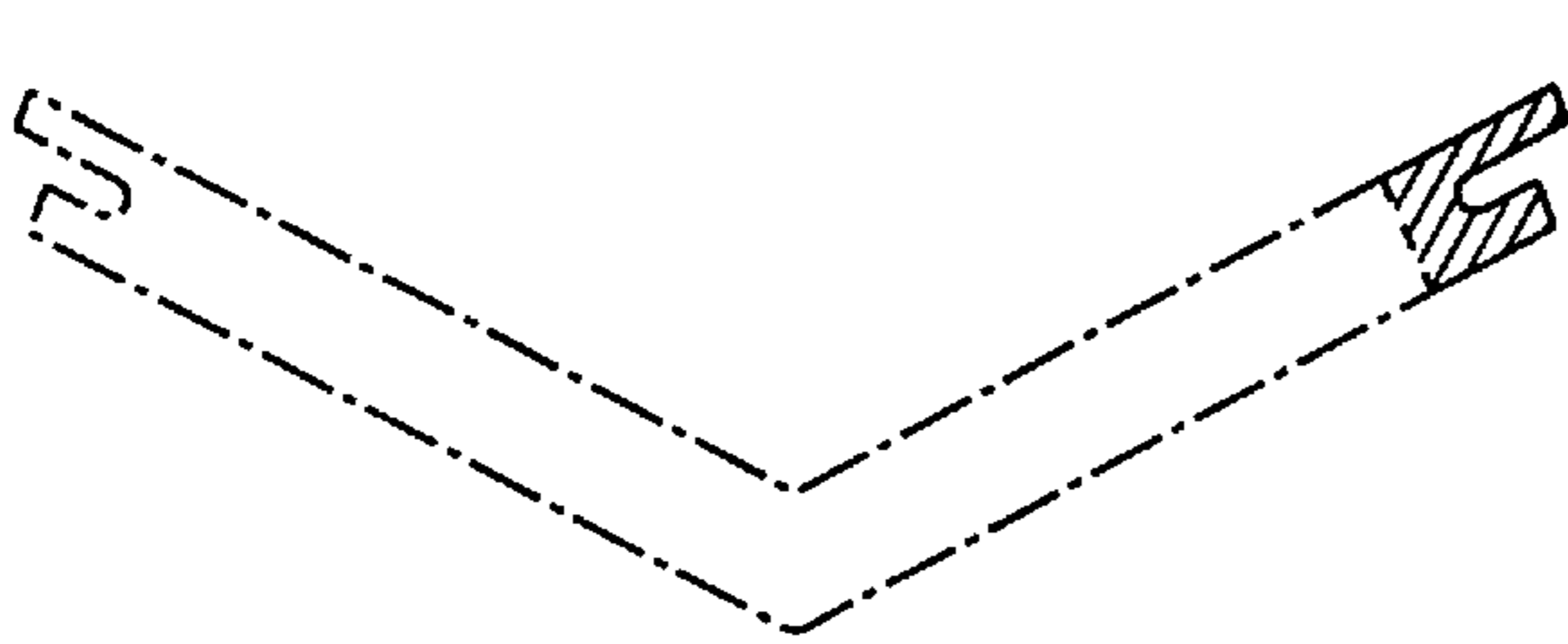
**FIG. 14**



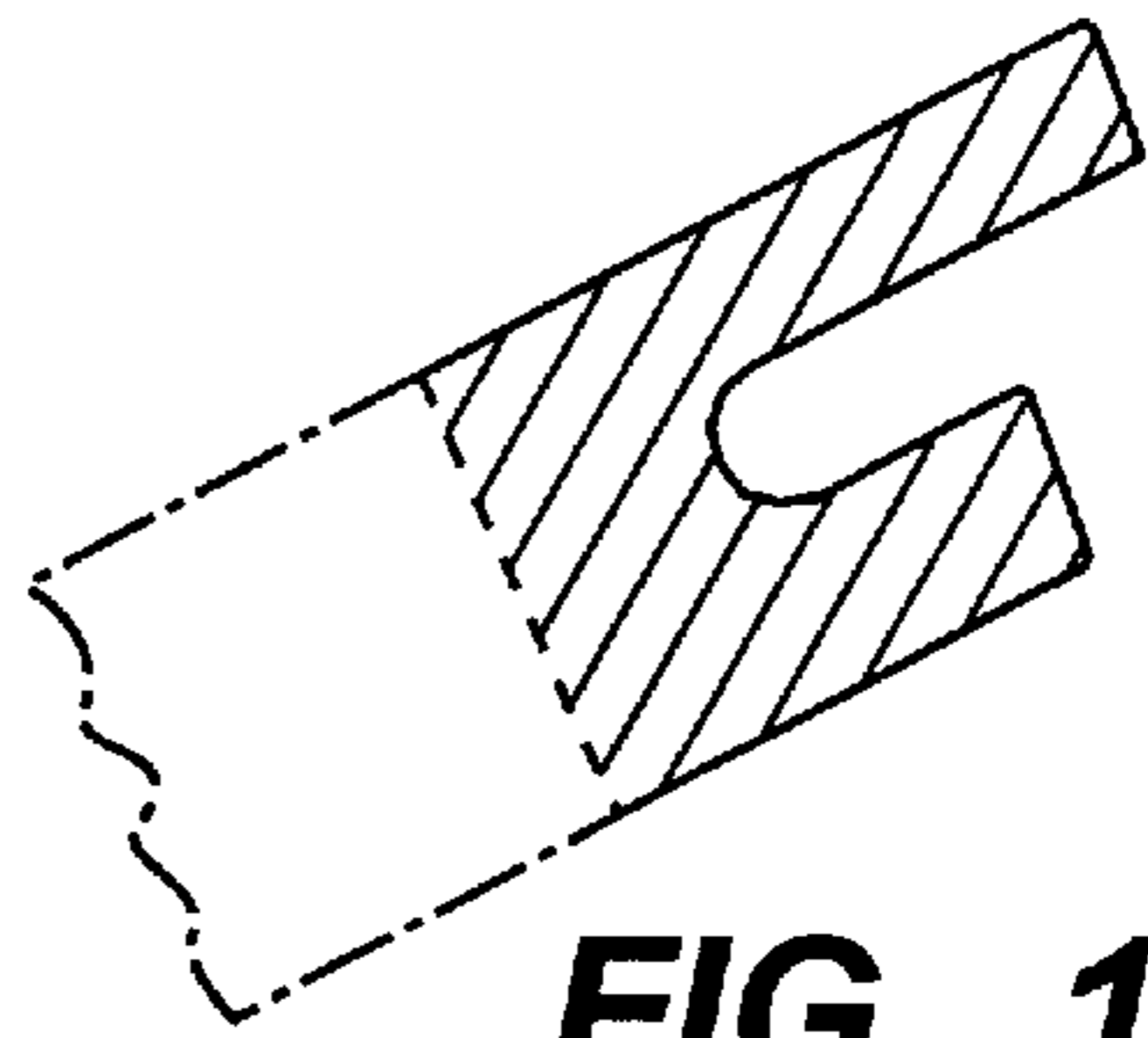
**FIG. 15**



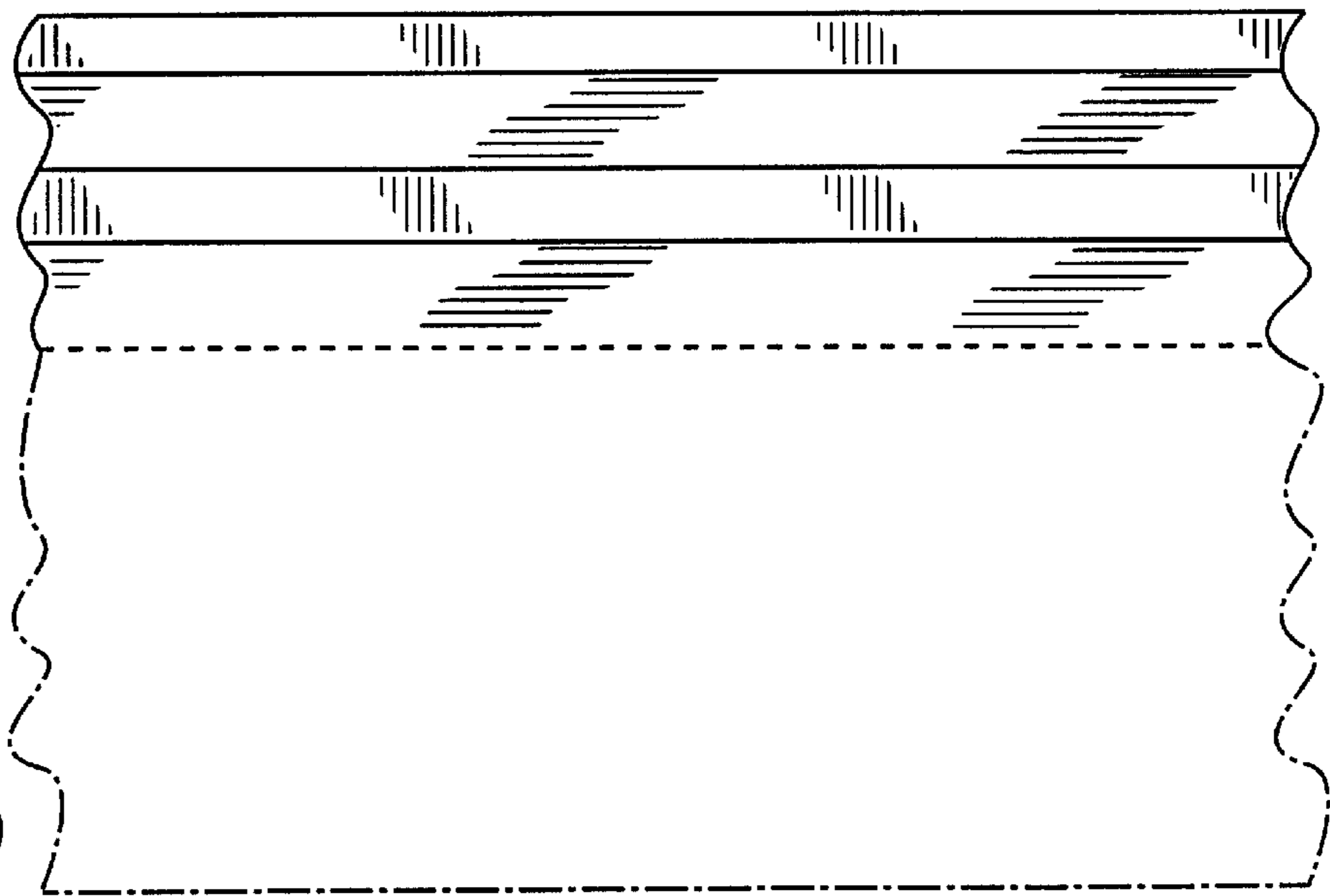
**FIG. 16**



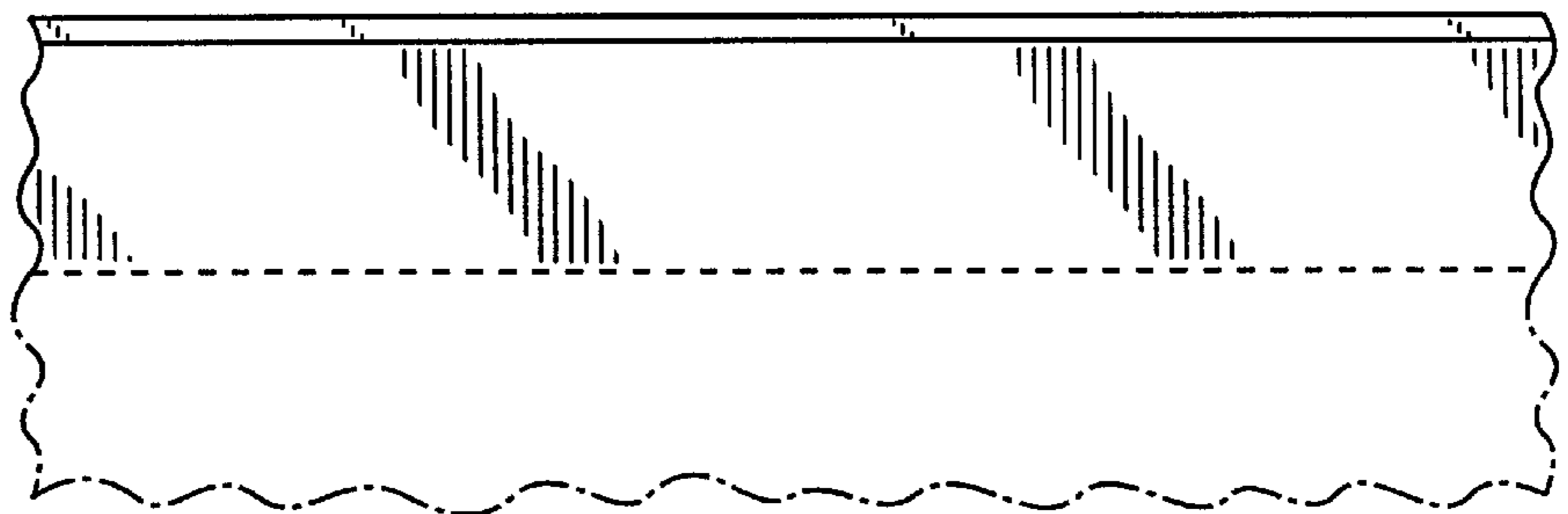
**FIG. 17**



**FIG. 18**



**FIG. 19**



**FIG. 20**