



US00D473004S

(12) **United States Design Patent**  
**Hoernig**

(10) **Patent No.:** **US D473,004 S**

(45) **Date of Patent:** **\*\* Apr. 8, 2003**

(54) **WALL LIGHT**

(75) Inventor: **Victor Hoernig**, Lowell, IN (US)

(73) Assignee: **Bath Unlimited, Inc.**, Fort Mill, SC (US)

(\*\*) Term: **14 Years**

(21) Appl. No.: **29/166,074**

(22) Filed: **Aug. 21, 2002**

(51) **LOC (7) Cl.** ..... **26-03**

(52) **U.S. Cl.** ..... **D26/87; D26/92**

(58) **Field of Search** ..... D26/72, 80-92,  
D26/138, 143, 150; 362/147, 363, 367,  
368, 404-408, 432

(56) **References Cited**

**U.S. PATENT DOCUMENTS**

1,233,829	A	*	7/1917	White	.....	362/432
1,261,477	A	*	4/1918	Boomer	.....	362/432
2,091,597	A	*	8/1937	La Force	.....	174/61
D293,484	S	*	12/1987	Joerger	.....	D26/87
D300,258	S	*	3/1989	Rubarth	.....	D26/11
2002/0136002	A1	*	9/2002	Hoernig	.....	362/147

**OTHER PUBLICATIONS**

Progress Lighting Catalog No. 124 (c)2000, p. 219, item#P3217-15.\*

\* cited by examiner

*Primary Examiner*—Alan P. Douglas

*Assistant Examiner*—Clare E. Heflin

(74) *Attorney, Agent, or Firm*—Edgar A. Zarins; Lloyd D. Doigan

(57) **CLAIM**

The ornamental design for a wall light, as shown and described.

**DESCRIPTION**

FIG. 1 is a perspective view of a wall light showing my new design;

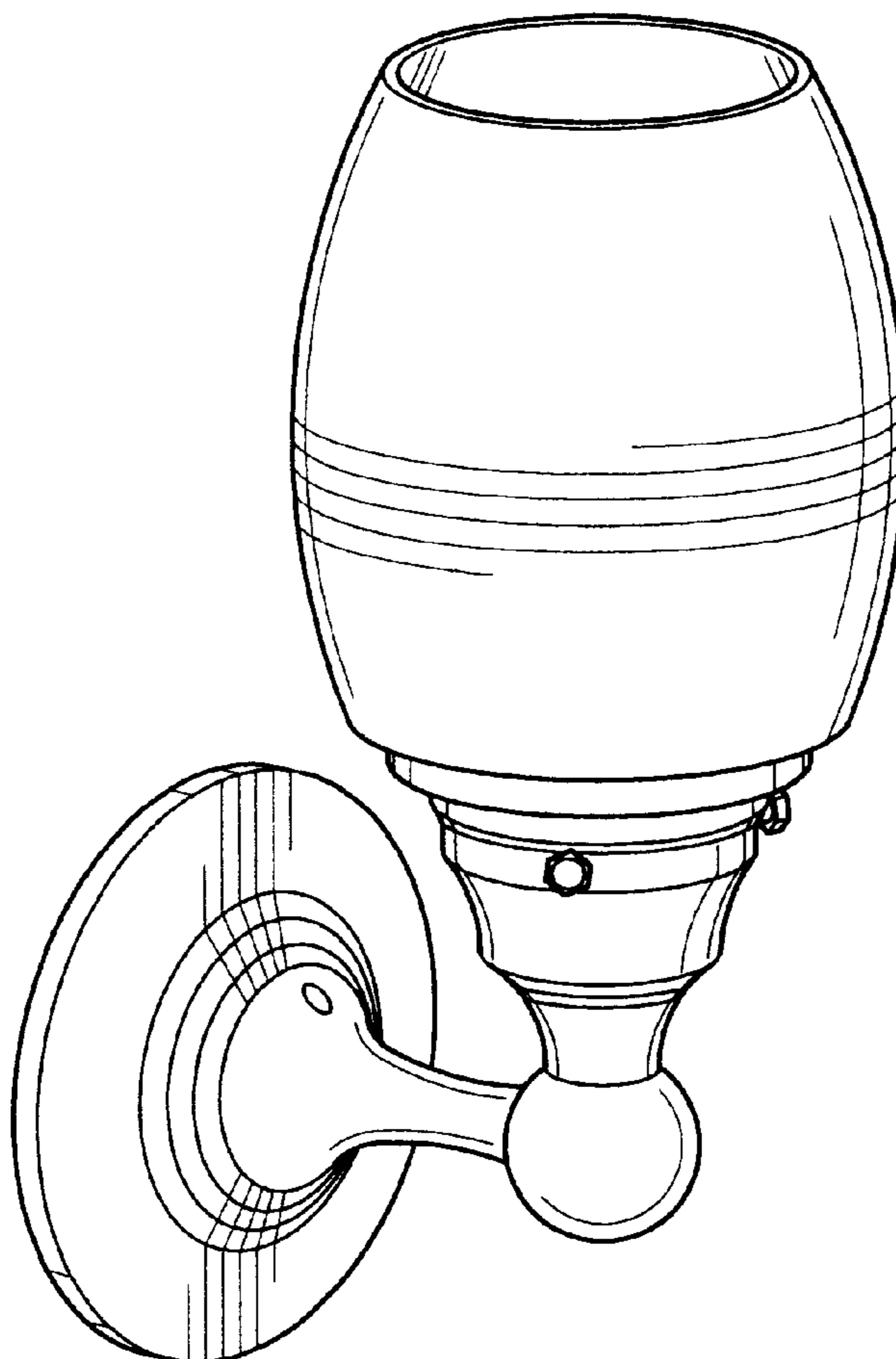
FIG. 2 is right side view thereof, the opposite side being a mirror image of the side shown;

FIG. 3 is a front elevational view thereof;

FIG. 4 is a bottom view thereof; and,

FIG. 5 is a top plan view thereof.

**1 Claim, 2 Drawing Sheets**



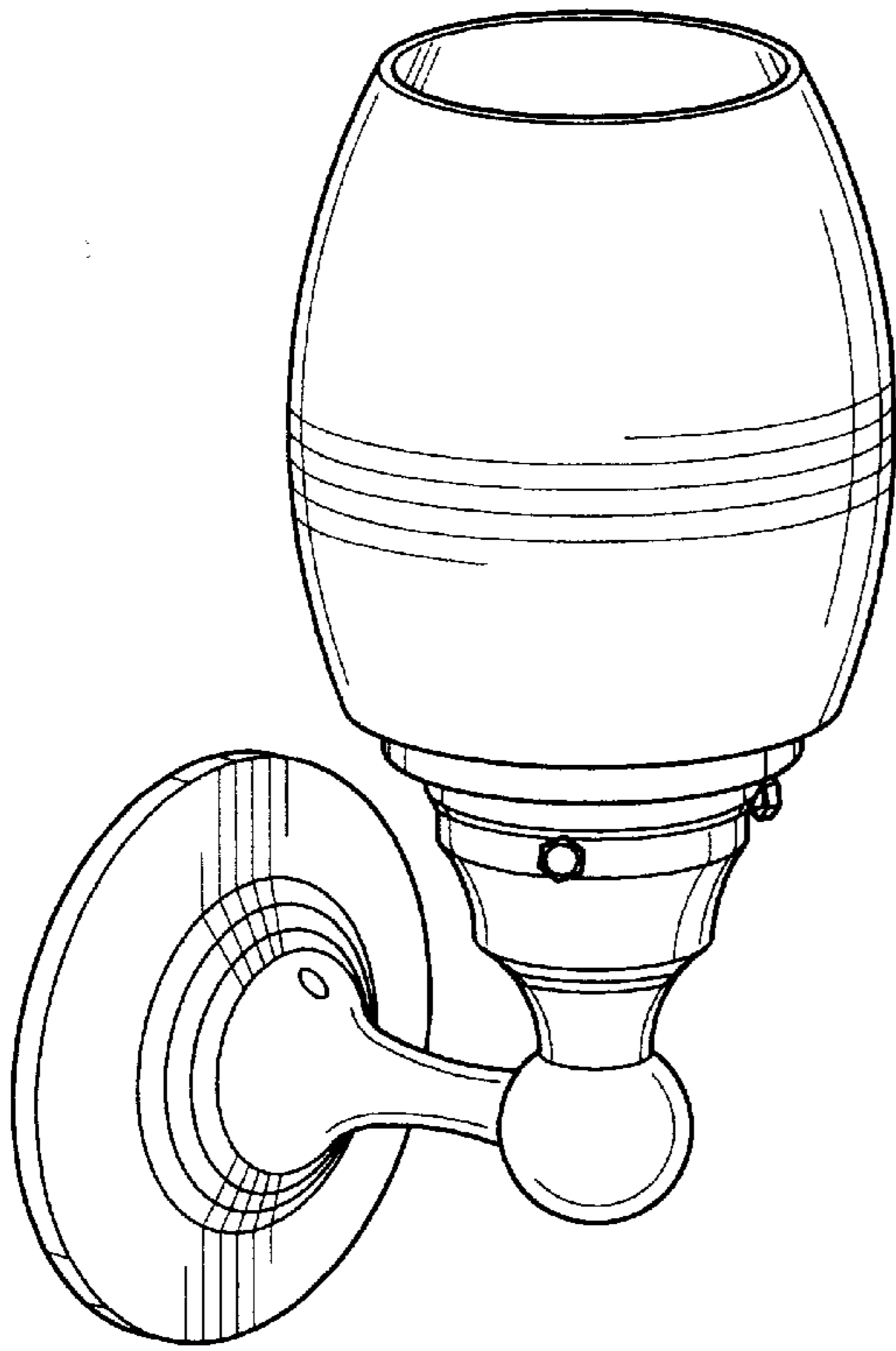


Fig-1

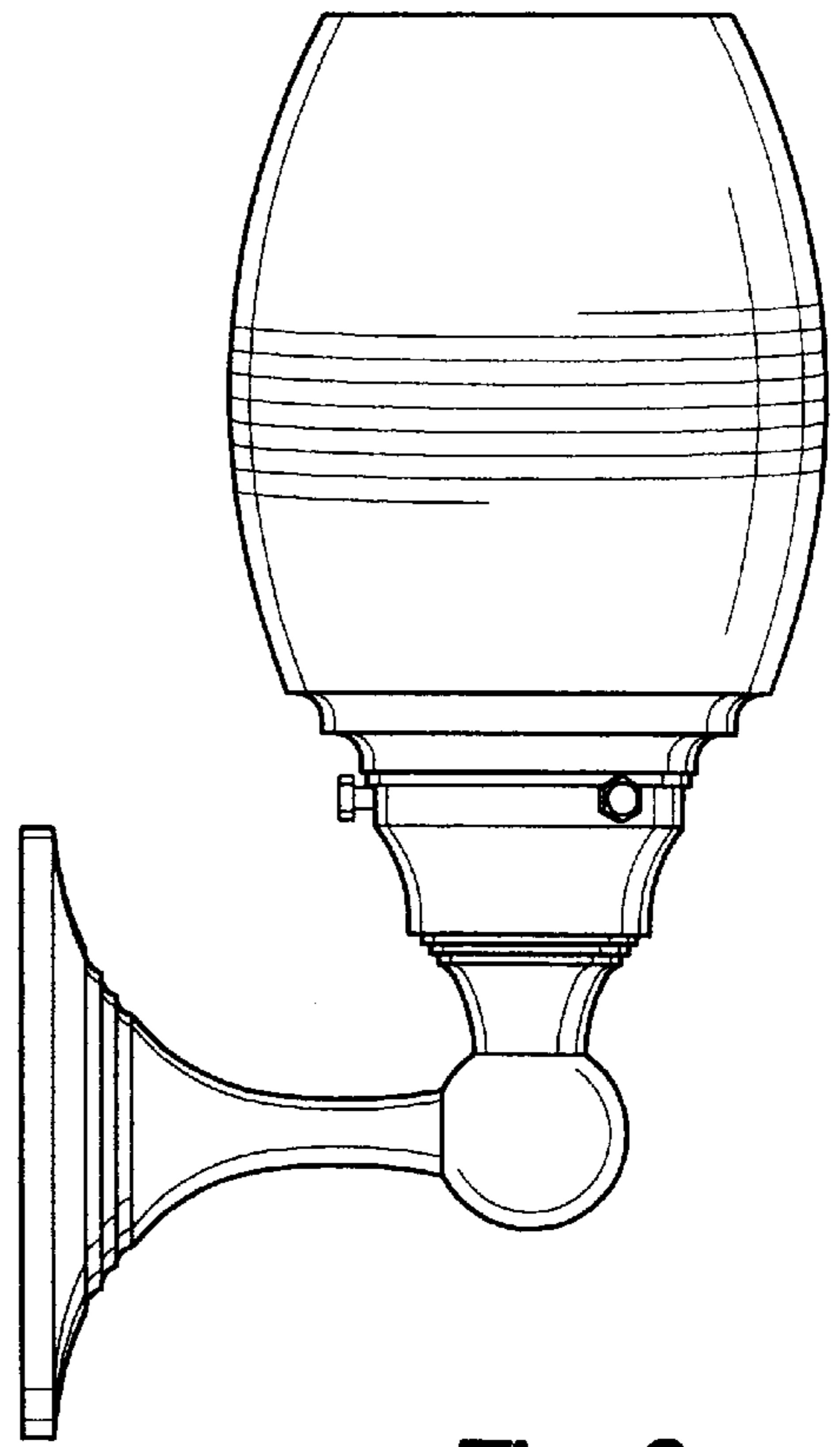


Fig-2

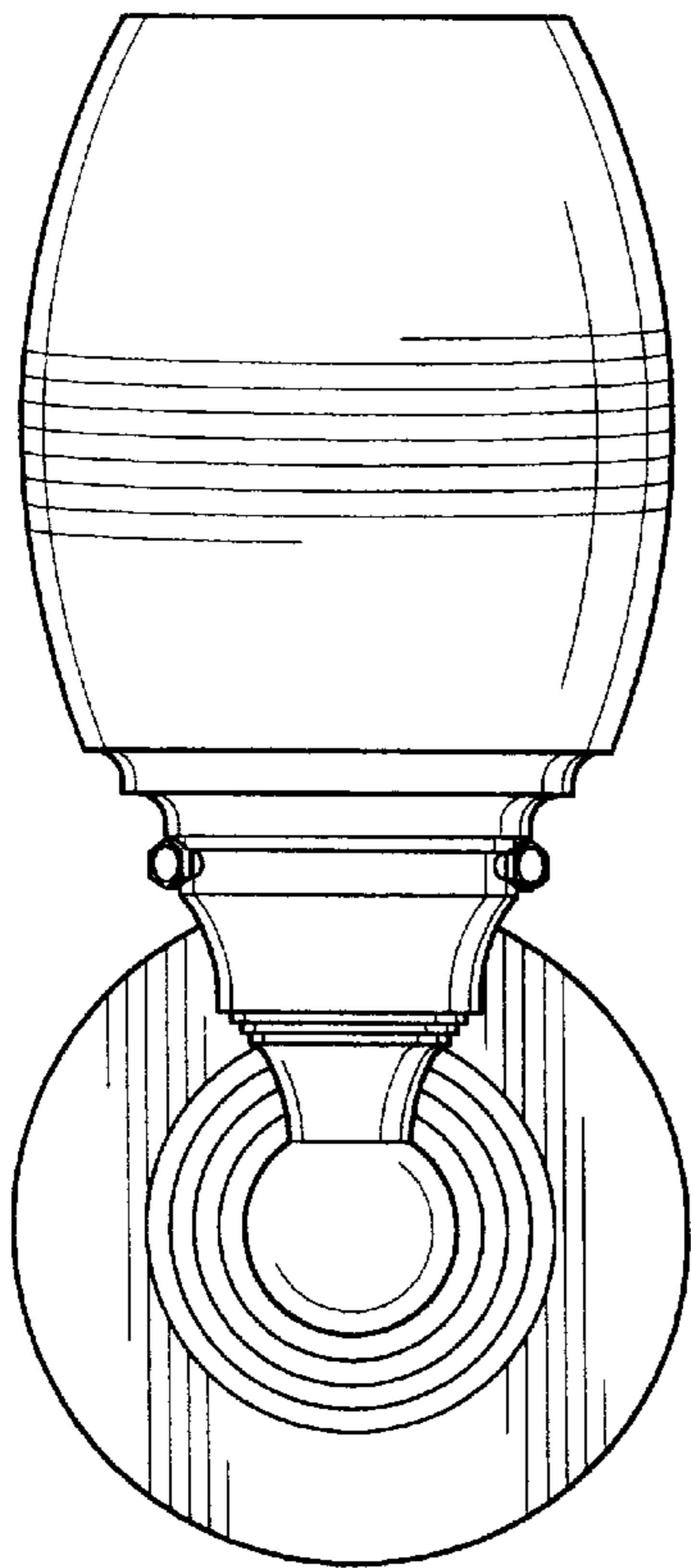


Fig-3

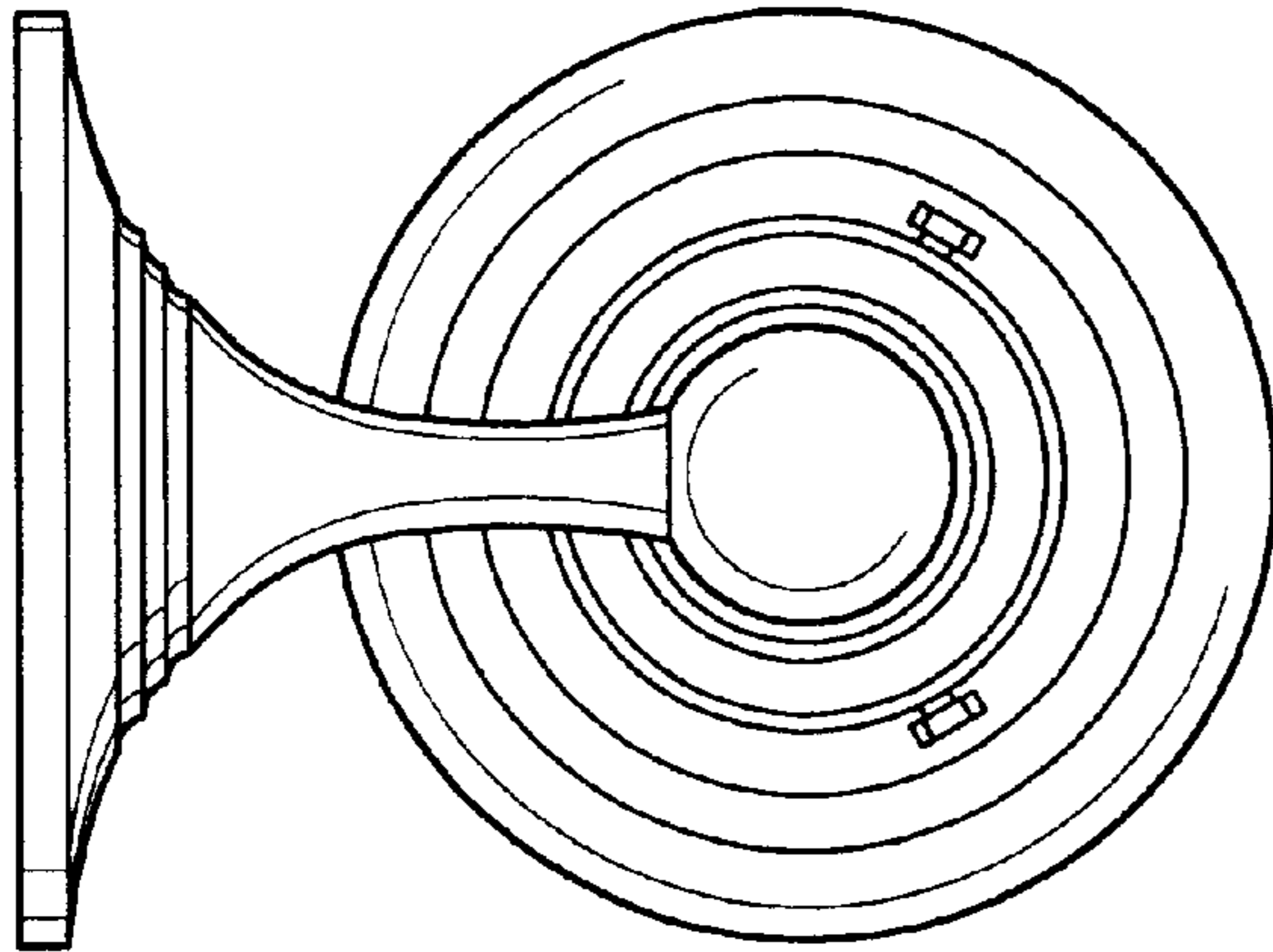


Fig-4

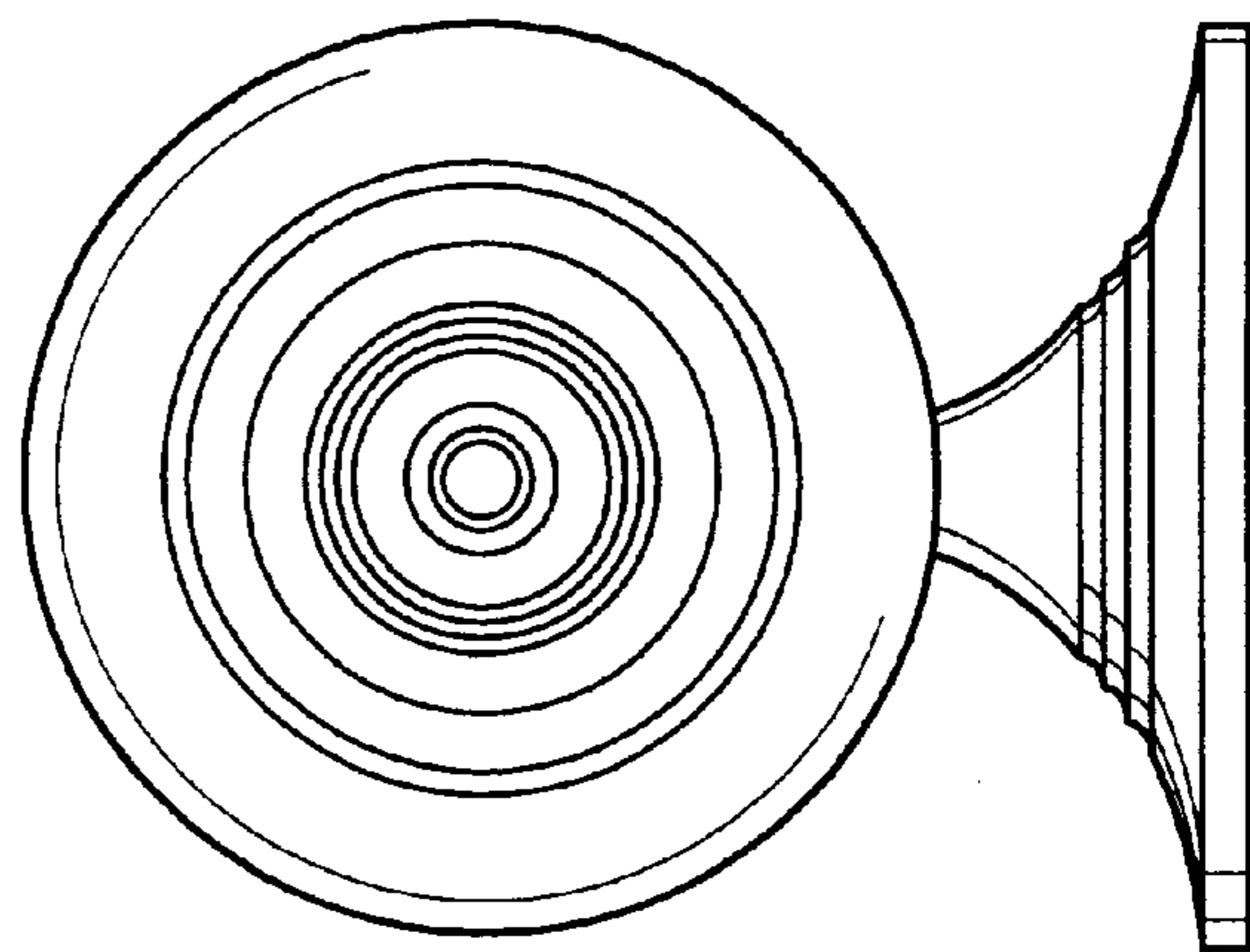


Fig-5