



US00D473003S

(12) **United States Design Patent**
Hoernig

(10) **Patent No.:** **US D473,003 S**

(45) **Date of Patent:** **** Apr. 8, 2003**

(54) **WALL LIGHT**

(75) Inventor: **Victor Hoernig**, Lowell, IN (US)

(73) Assignee: **Bath Unlimited, Inc.**, Fort Mill, SC (US)

(**) Term: **14 Years**

(21) Appl. No.: **29/166,067**

(22) Filed: **Aug. 21, 2002**

(51) **LOC (7) Cl.** **26-03**

(52) **U.S. Cl.** **D26/87; D26/92**

(58) **Field of Search** D26/72, 80-92,
D26/138, 143, 150; 362/147, 363, 367,
368, 404-408, 432

(56) **References Cited**

U.S. PATENT DOCUMENTS

1,090,154	A	*	3/1914	Johns	362/406
D48,158	S	*	11/1915	Morrell	D26/92
D48,278	S	*	12/1915	Guth	D26/91
1,395,710	A	*	11/1921	Herskovitz	362/432
D404,171	S	*	1/1999	Littman et al.	D26/145

OTHER PUBLICATIONS

Progress Lighting Catalog No. 124, (c)2000 item#P3217-15.*

Progress Lighting Catalog No. 124, (c)2000 item #P3320-15.*

* cited by examiner

Primary Examiner—Alan P. Douglas

Assistant Examiner—Clare E. Heflin

(74) *Attorney, Agent, or Firm*—Edgar A. Zarins; Lloyd D. Doigan

(57) **CLAIM**

The ornamental design for a wall light, as shown and described.

DESCRIPTION

FIG. 1 is a perspective view of a wall light showing my new design;

FIG. 2 is right side view thereof;

FIG. 3 is a top plan view thereof;

FIG. 4 is a left side view thereof;

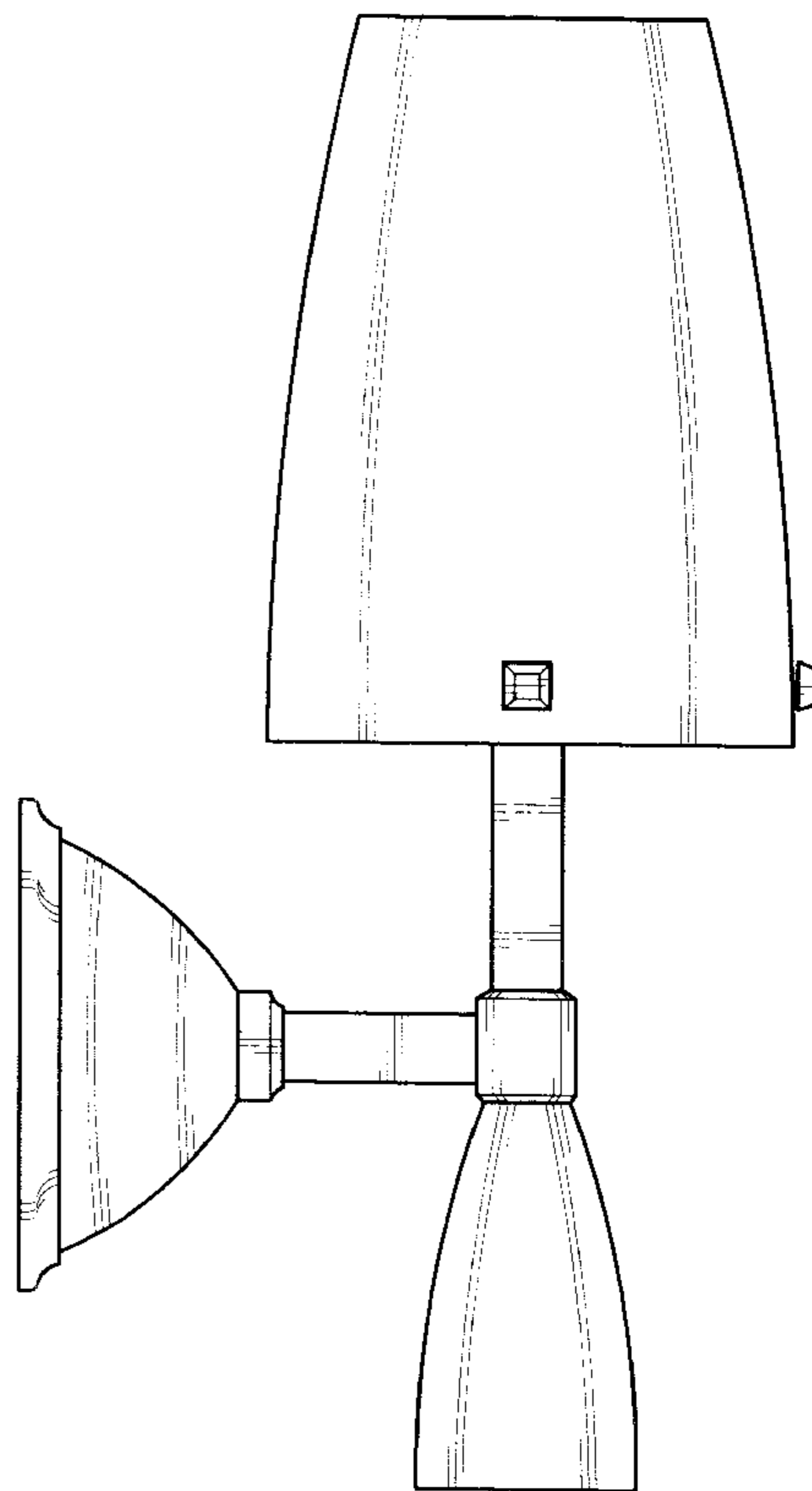
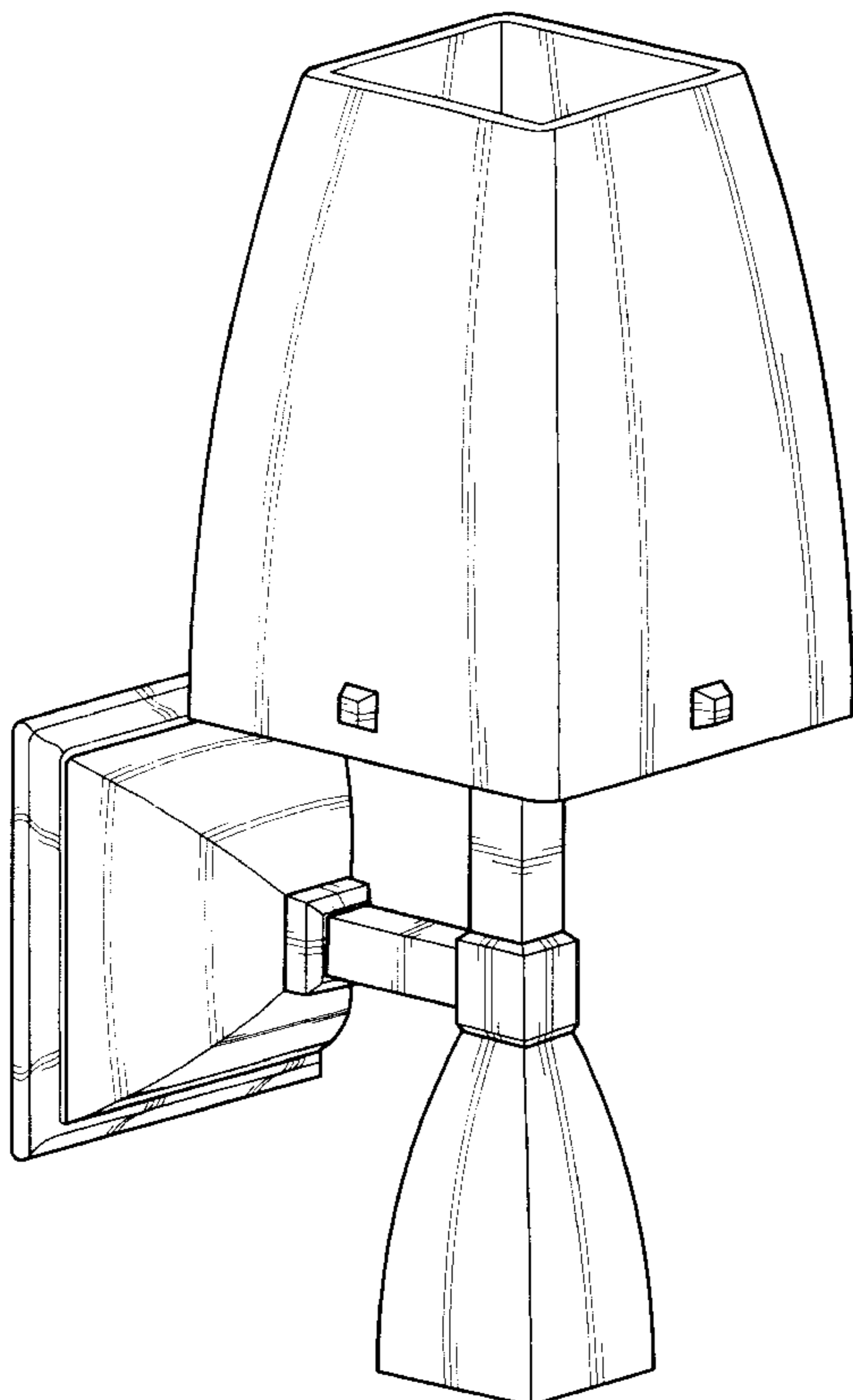
FIG. 5 is a bottom view thereof;

FIG. 6 is a front elevational view thereof; and,

FIG. 7 is a rear view thereof.

The broken lines shown on the drawings are for illustrative purposes only and form no part of the claimed design.

1 Claim, 4 Drawing Sheets



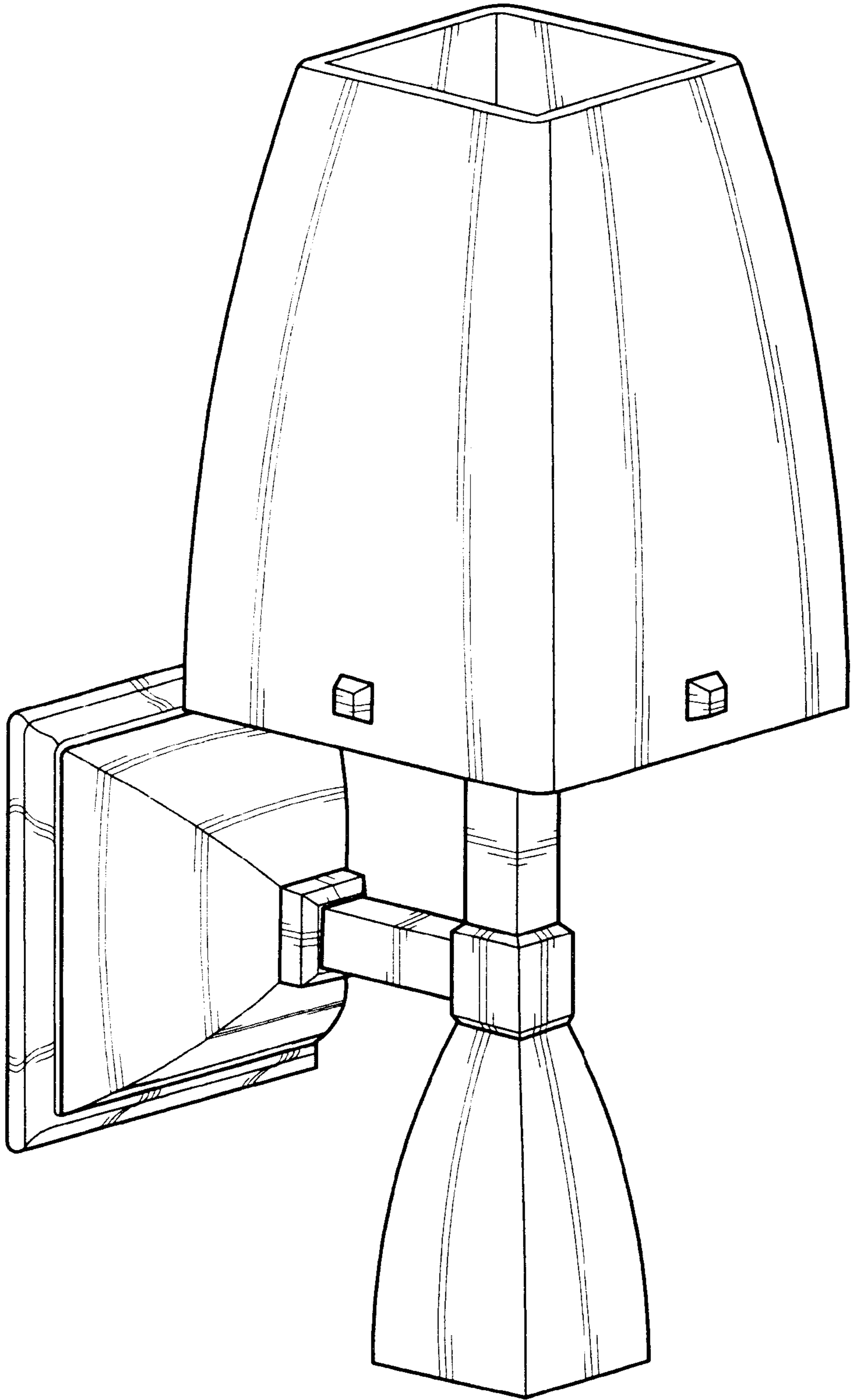


Figure - 1

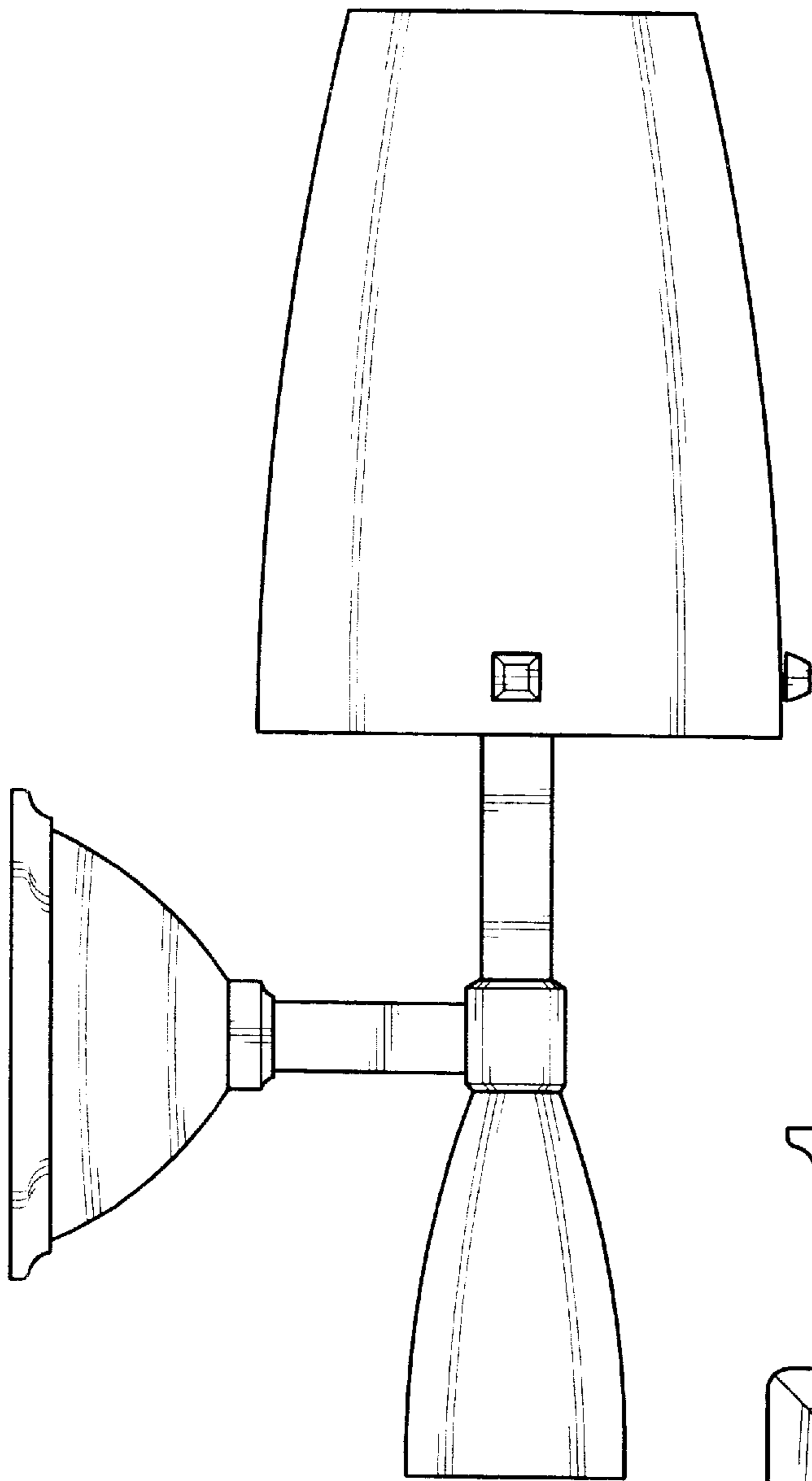


Figure - 2

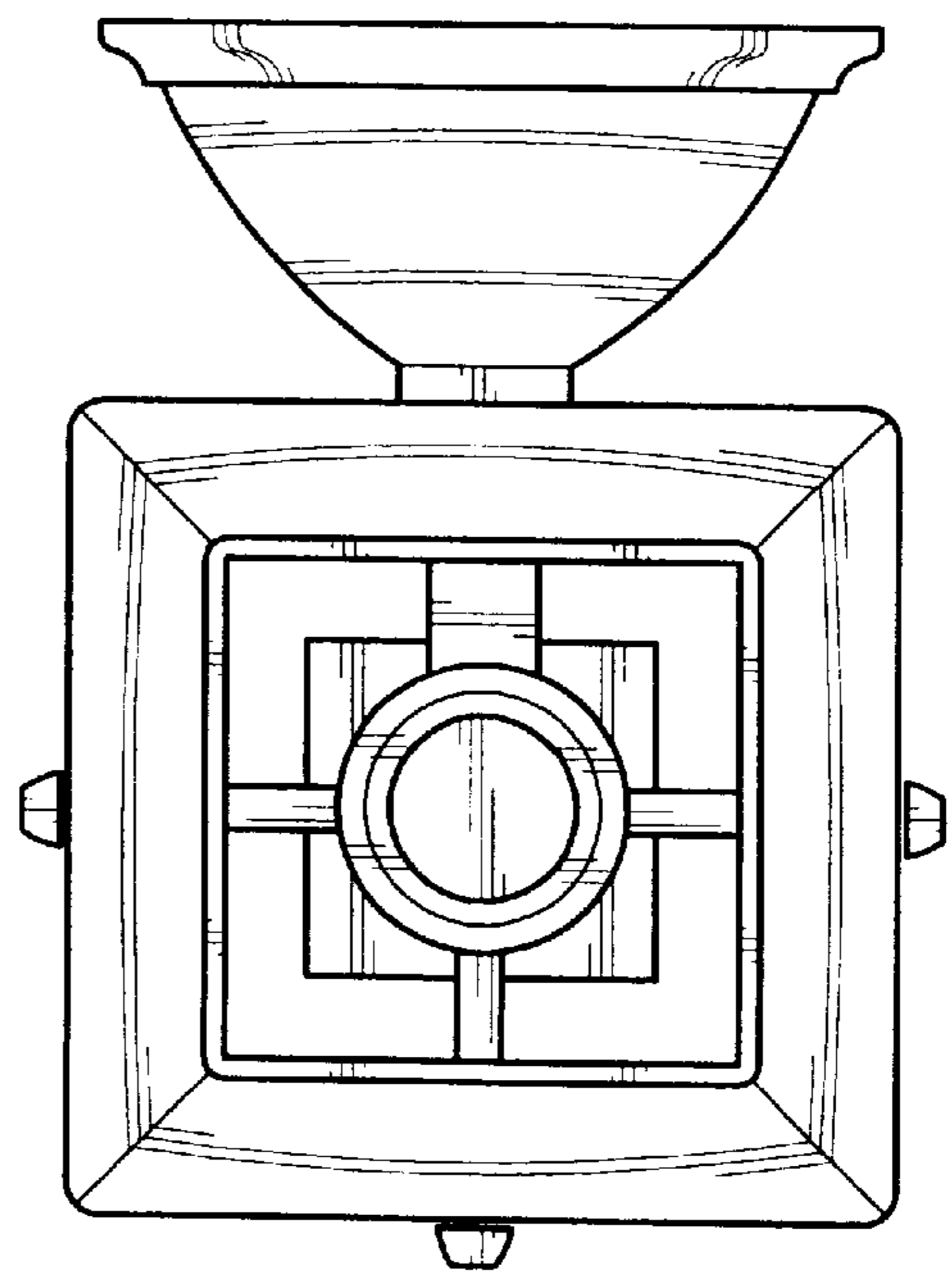


Figure - 3

Figure - 4

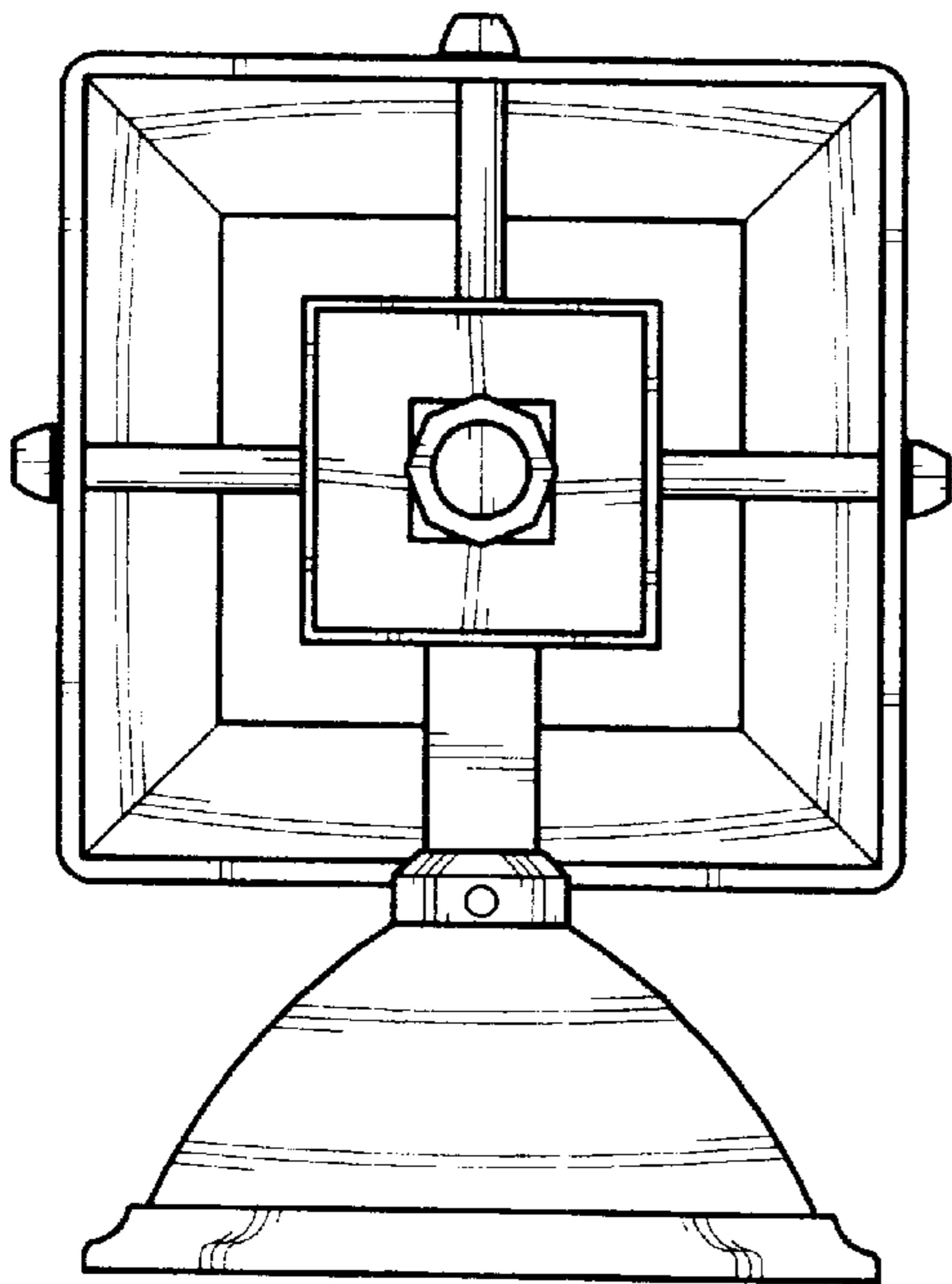
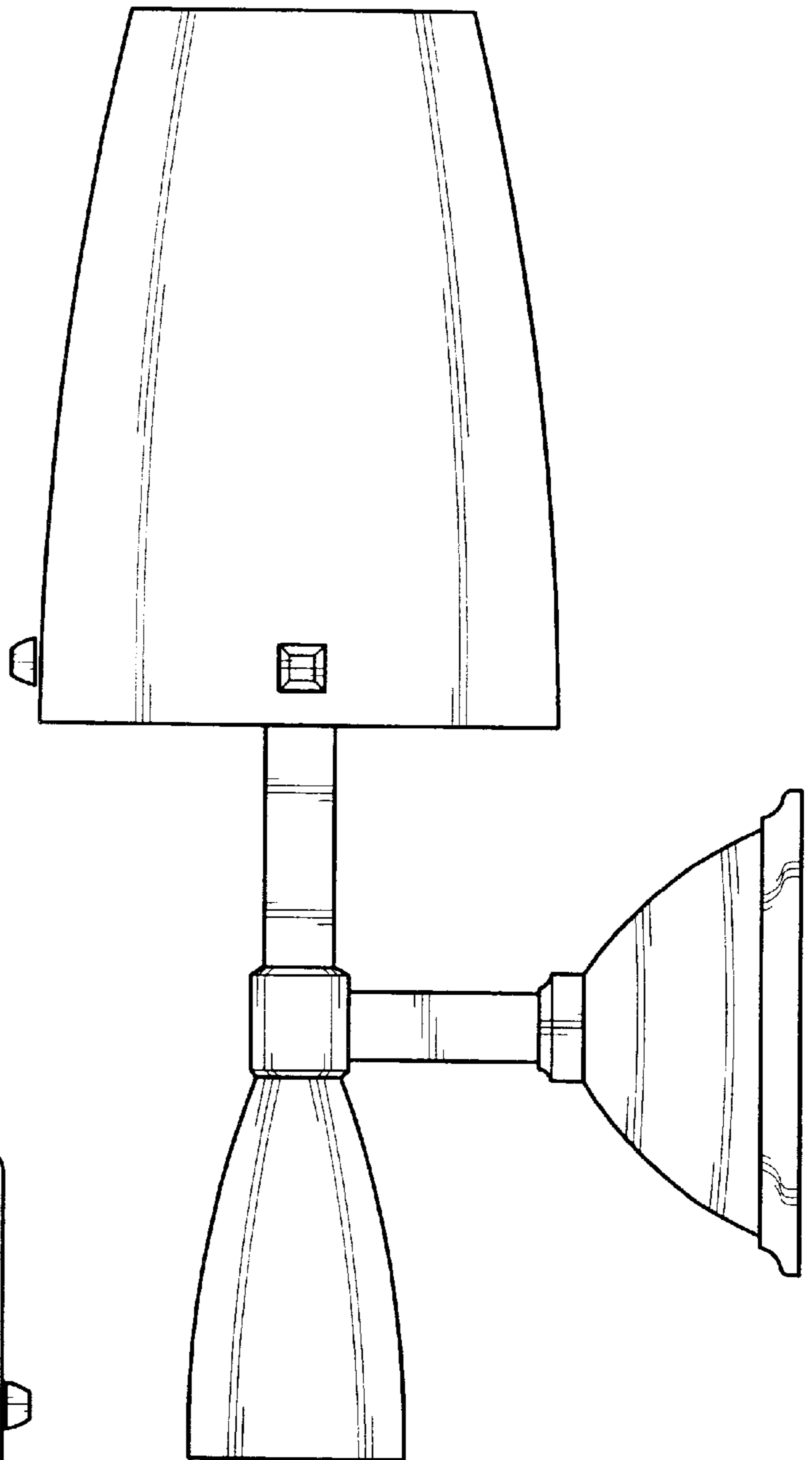


Figure - 5

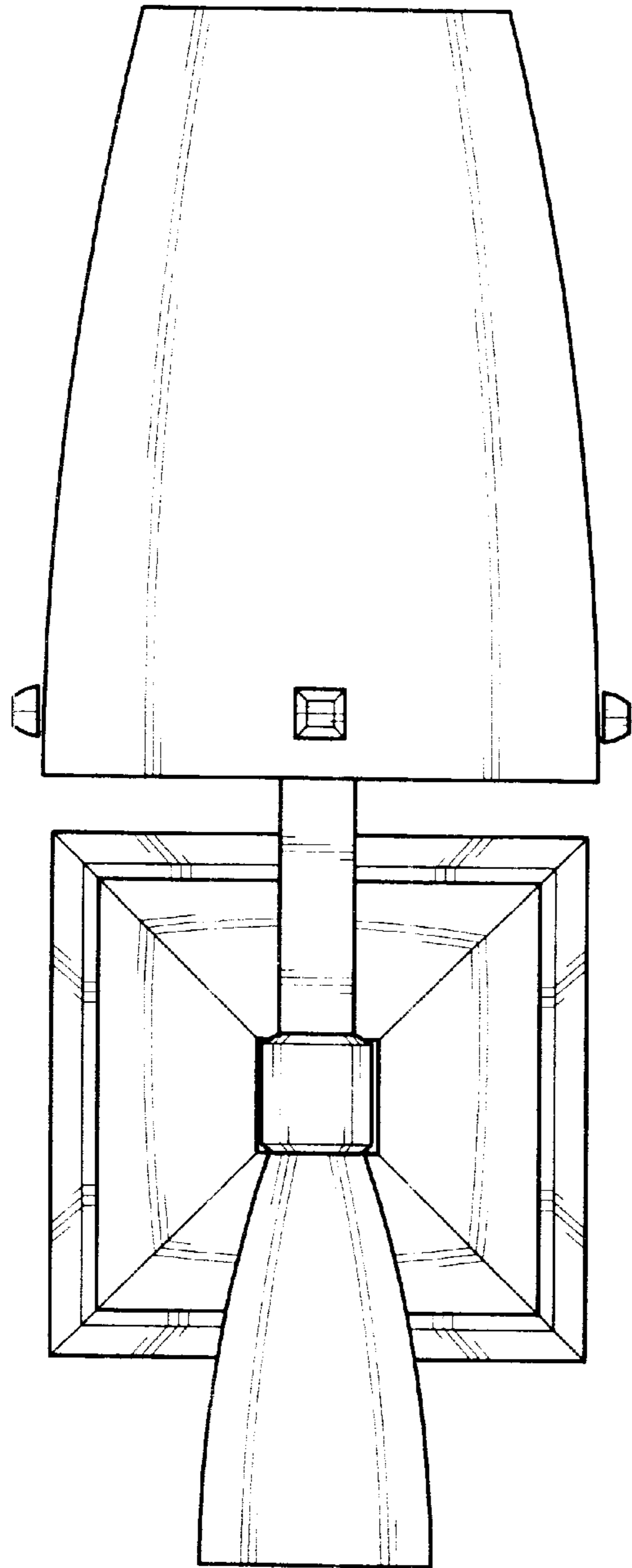


Figure - 6

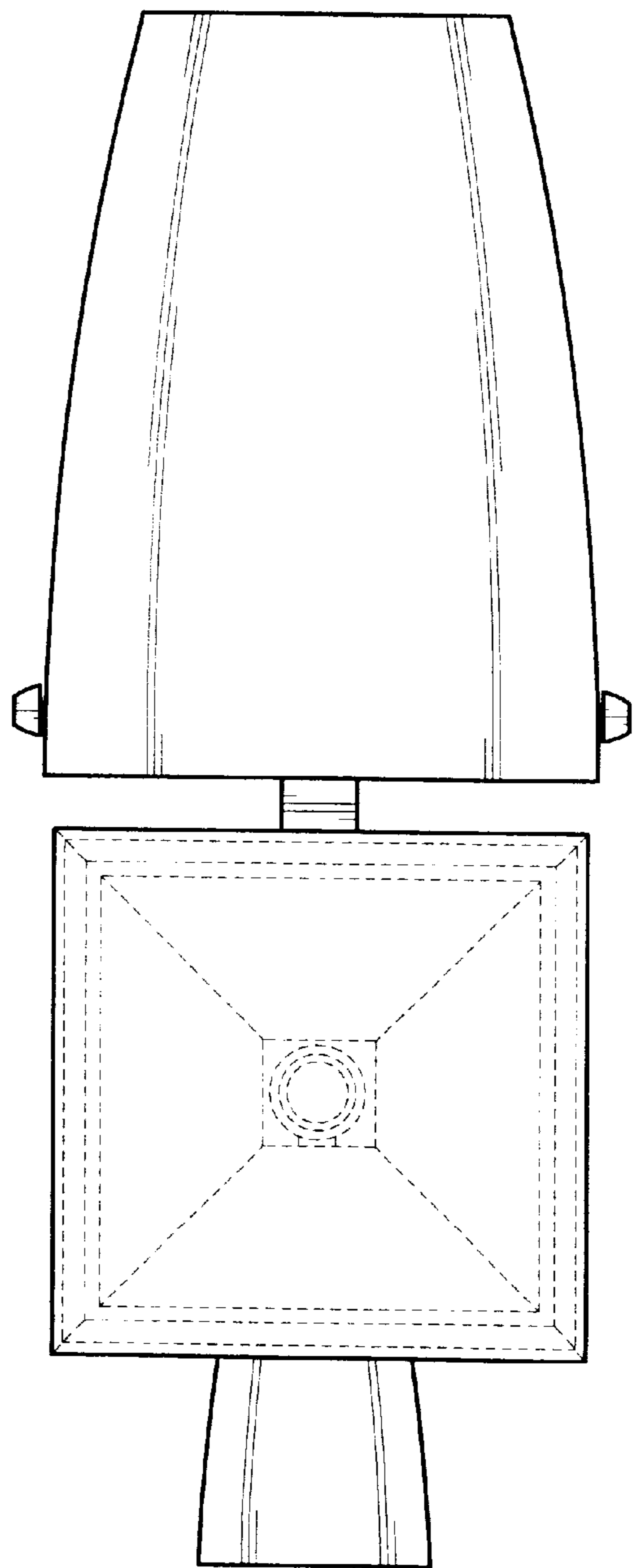


Figure - 7