



US00D473002S

(12) **United States Design Patent**
Hoernig

(10) **Patent No.:** **US D473,002 S**

(45) **Date of Patent:** **** Apr. 8, 2003**

(54) **WALL LIGHT**

D419,713 S * 1/2000 Diaz-Azcuy D26/87
D441,125 S * 4/2001 Crosby D26/87

(75) Inventor: **Victor Hoernig**, Lowell, IN (US)

* cited by examiner

(73) Assignee: **Bath Unlimited, Inc.**, Fort Mill, SC (US)

Primary Examiner—Alan P. Douglas

Assistant Examiner—Clare E. Heflin

(**) Term: **14 Years**

(74) *Attorney, Agent, or Firm*—Edgar A. Zarins; Lloyd D. Doigan

(21) Appl. No.: **29/166,027**

(57) **CLAIM**

(22) Filed: **Aug. 21, 2002**

The ornamental design for a wall light, as shown and described.

(51) **LOC (7) Cl.** **26-03**

(52) **U.S. Cl.** **D26/87; D26/92**

(58) **Field of Search** D26/72, 80-92,
D26/138, 143, 150; 362/147, 363, 367,
368, 404-408, 432

DESCRIPTION

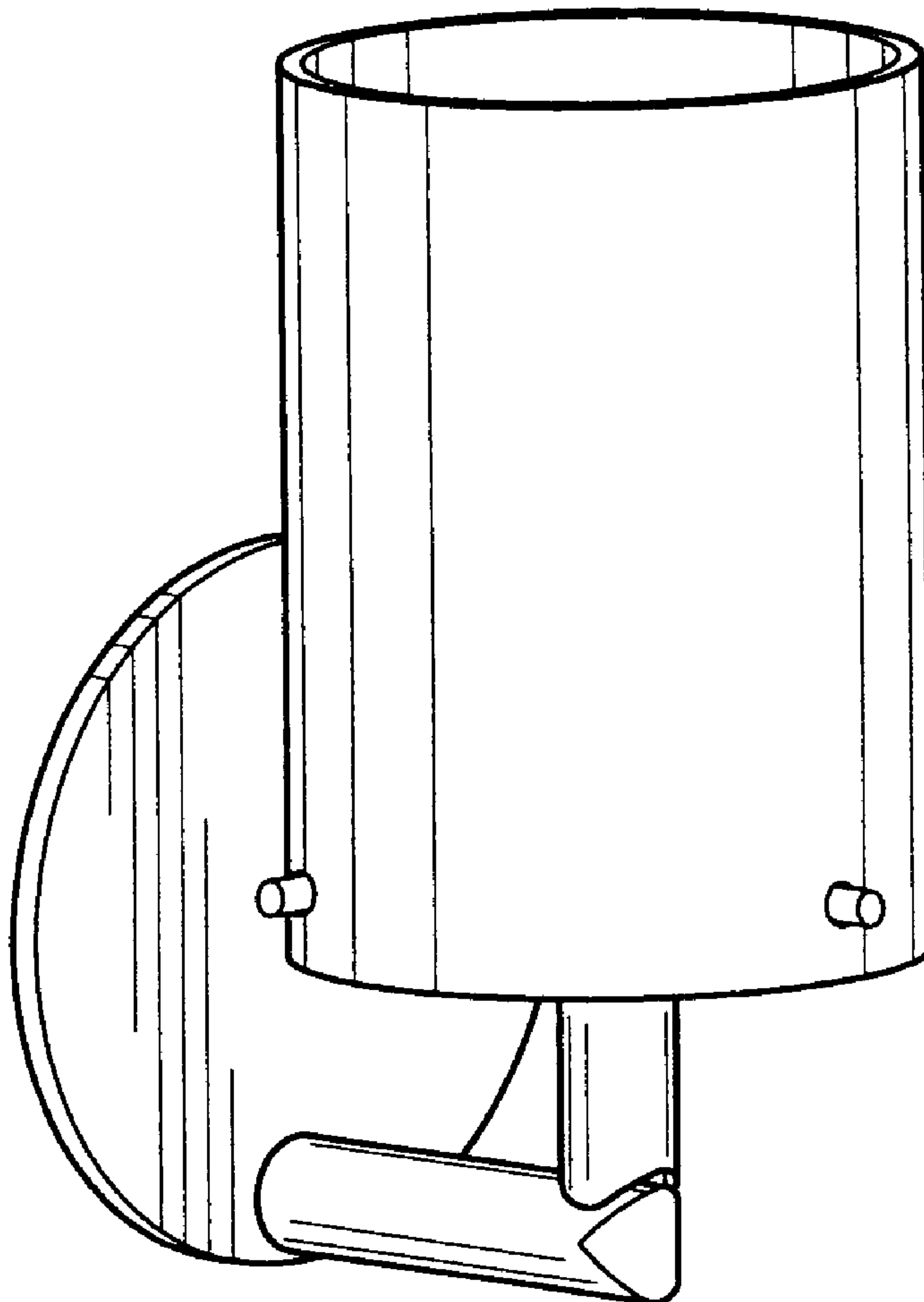
(56) **References Cited**

U.S. PATENT DOCUMENTS

D232,966 S * 9/1974 Shemitz D26/87
D403,097 S * 12/1998 Littman D26/87
D418,624 S * 1/2000 Vanderbyl D26/87

FIG. 1 is a perspective view of a wall light showing my new design;
FIG. 2 is a left side view thereof, the opposite side being a mirror image of the side shown;
FIG. 3 is a top plan view thereof;
FIG. 4 is a bottom view thereof;
FIG. 5 is a front elevational view thereof; and,
FIG. 6 is a rear view thereof.

1 Claim, 2 Drawing Sheets



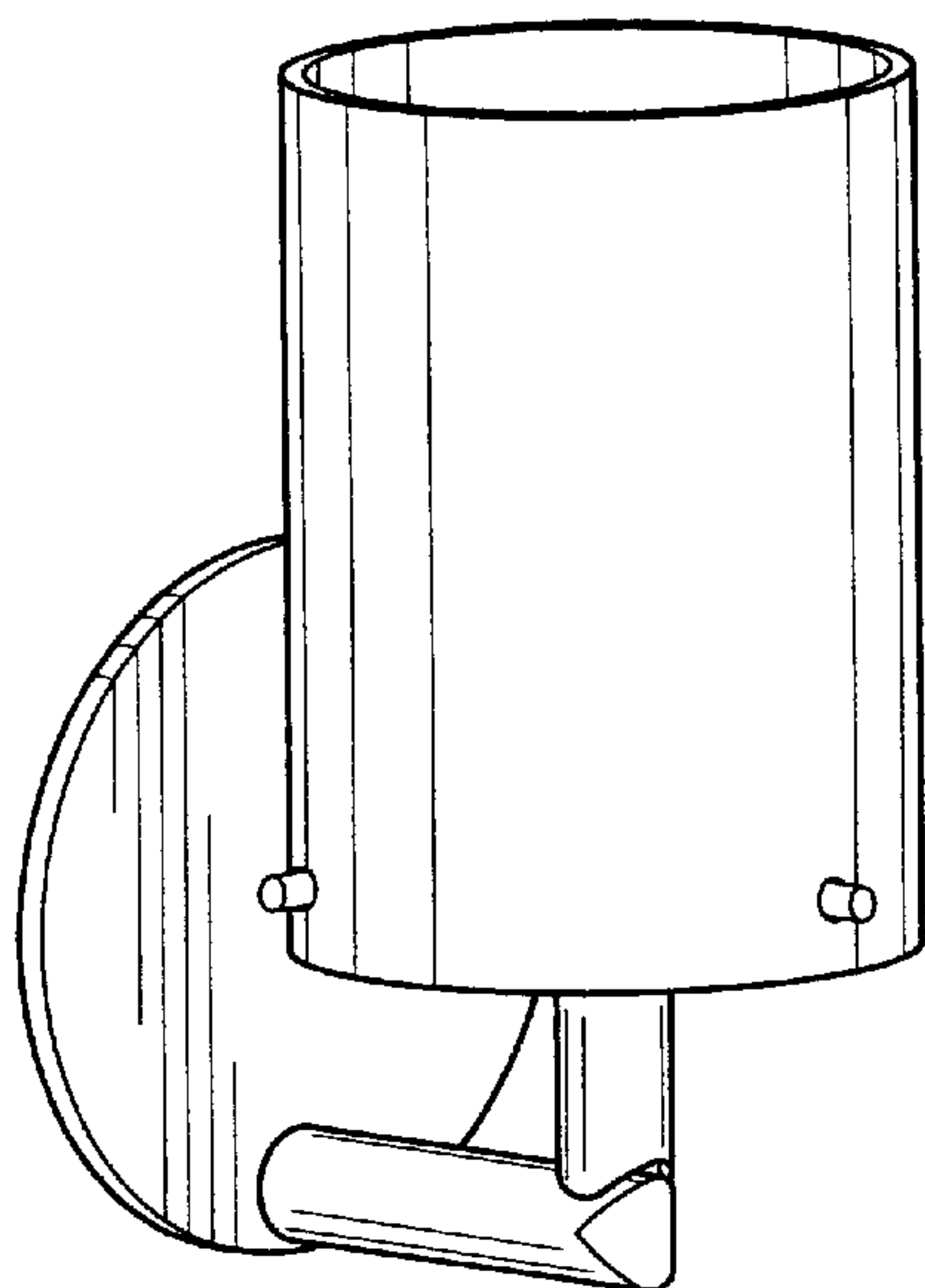


Fig-1

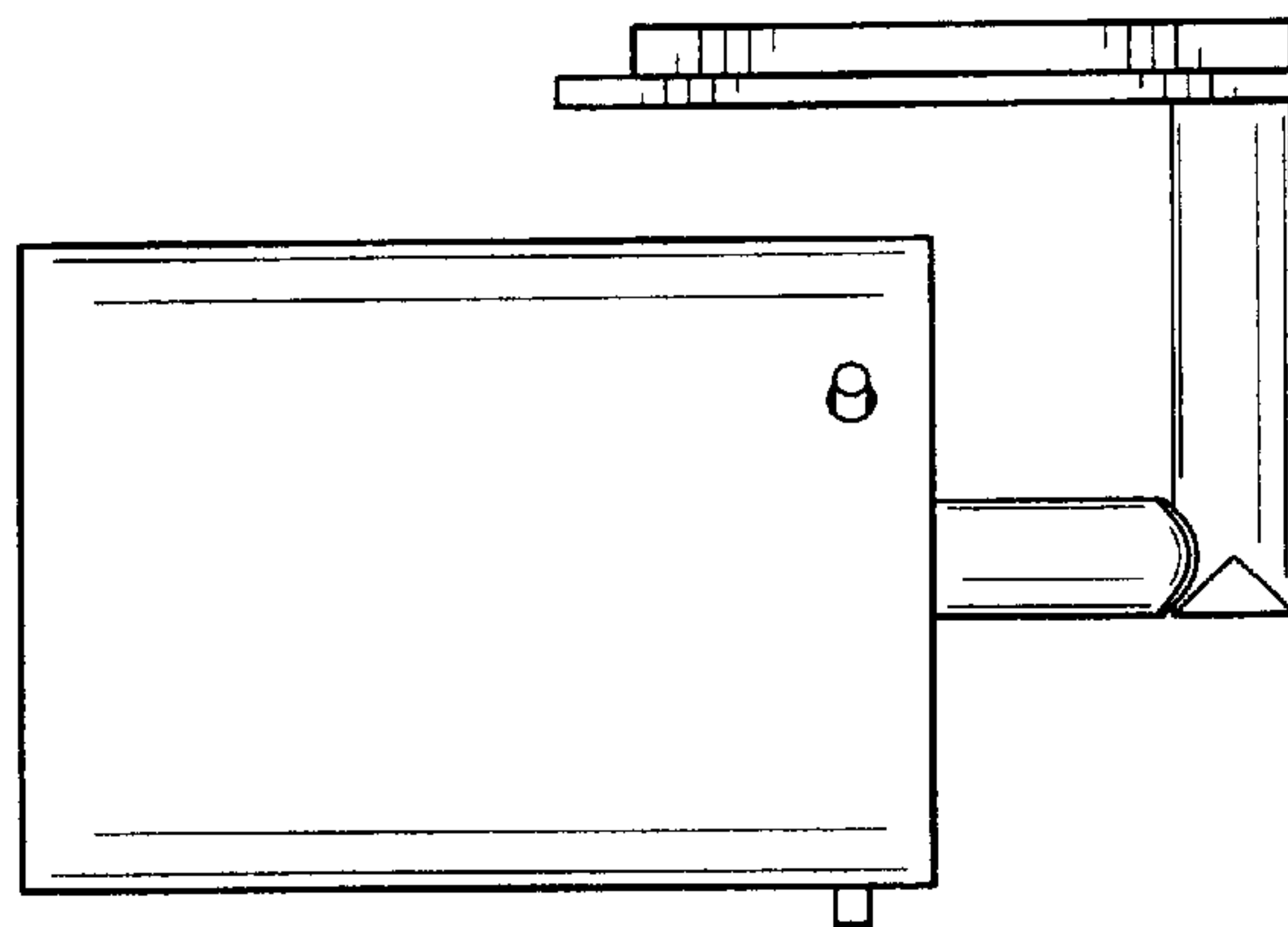


Fig-2

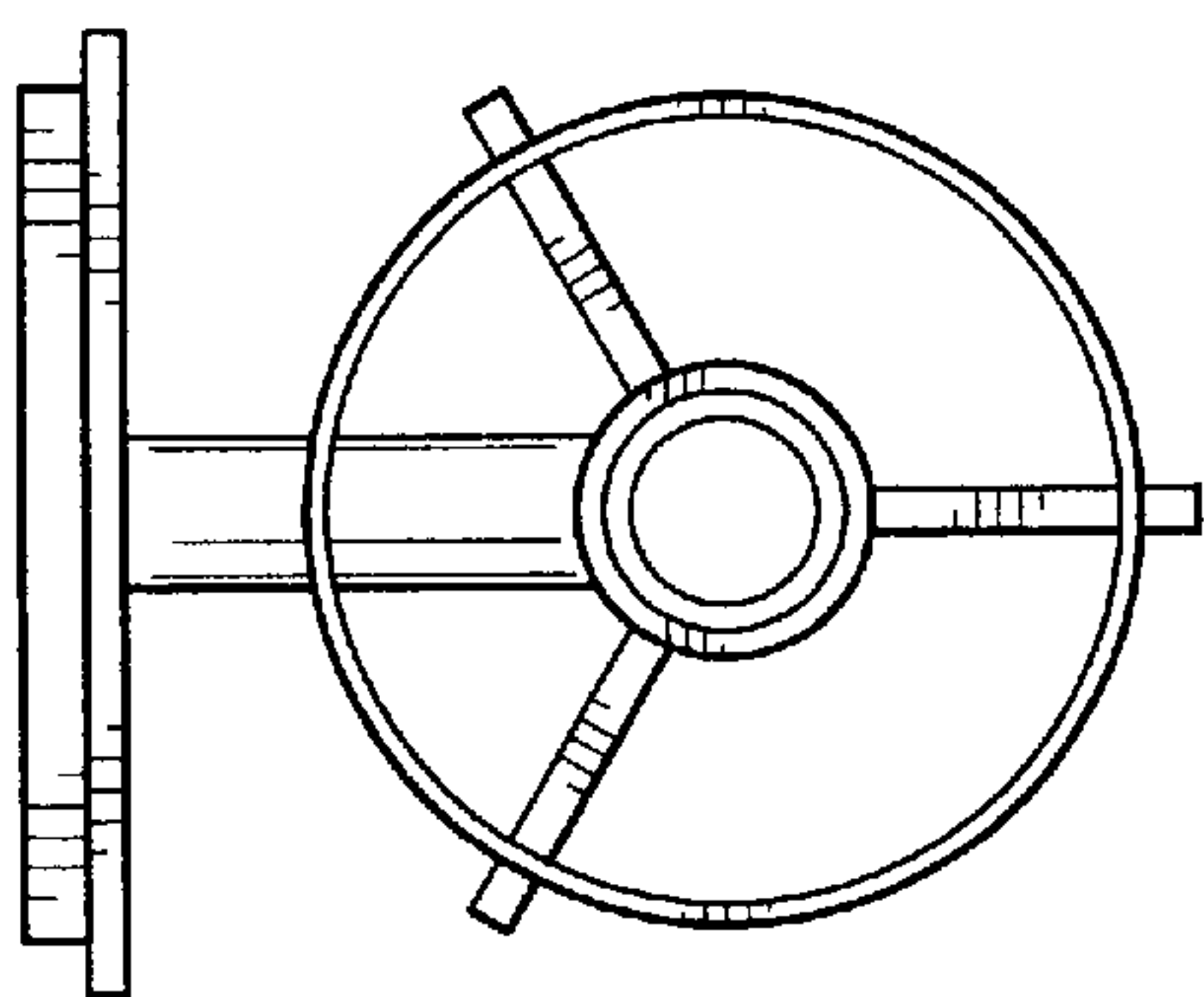
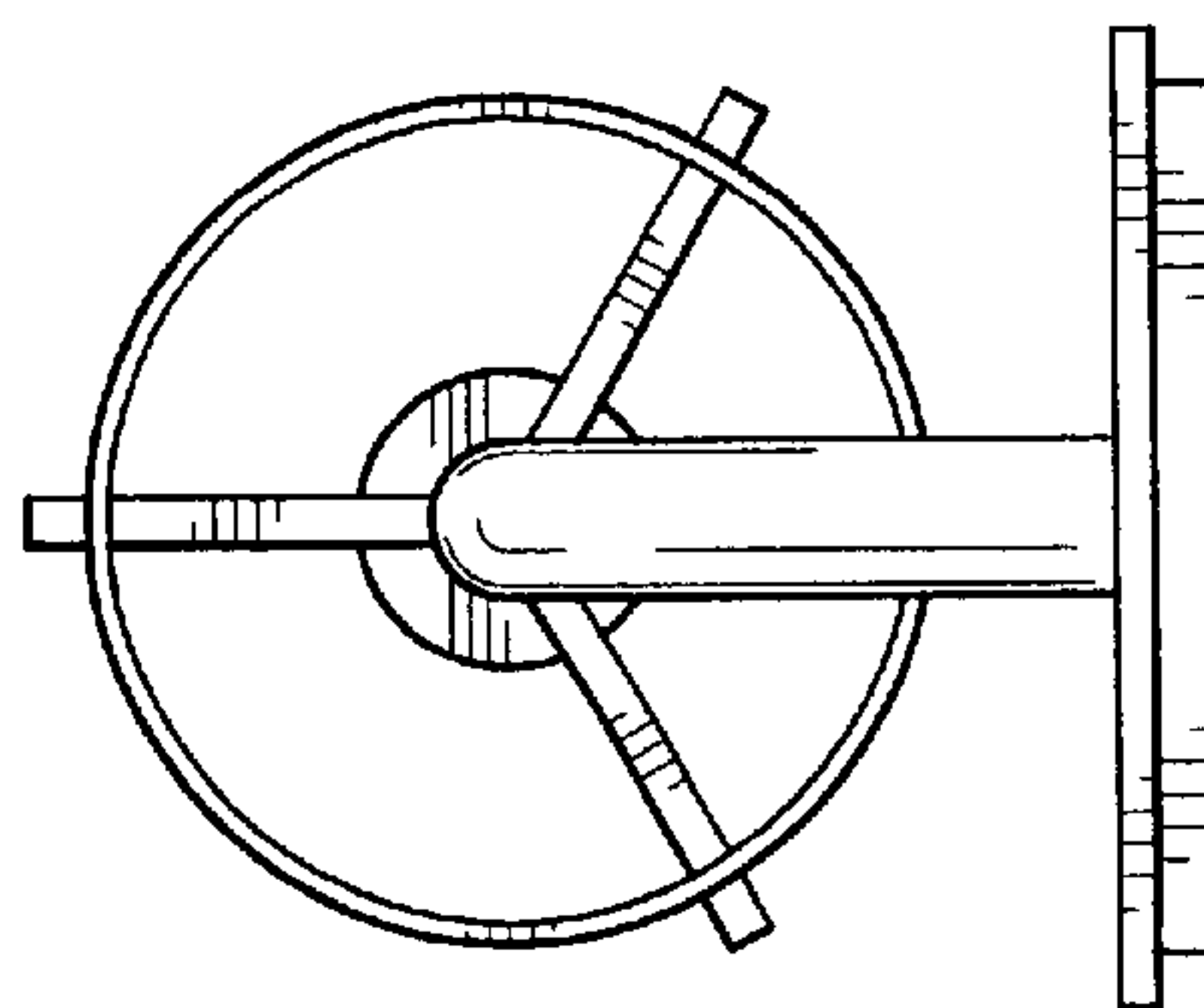


Fig-3

Fig-4



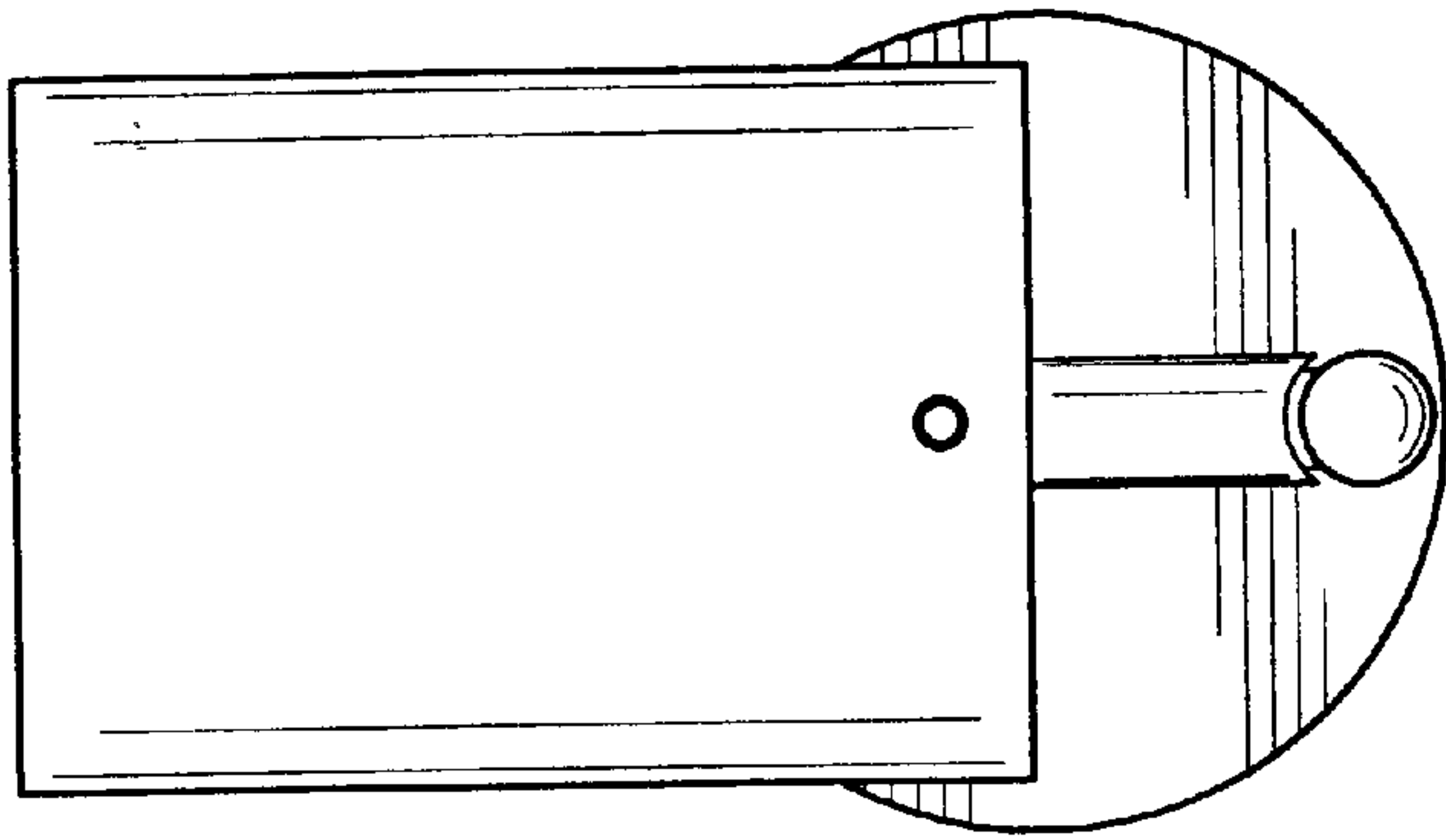


Fig-5

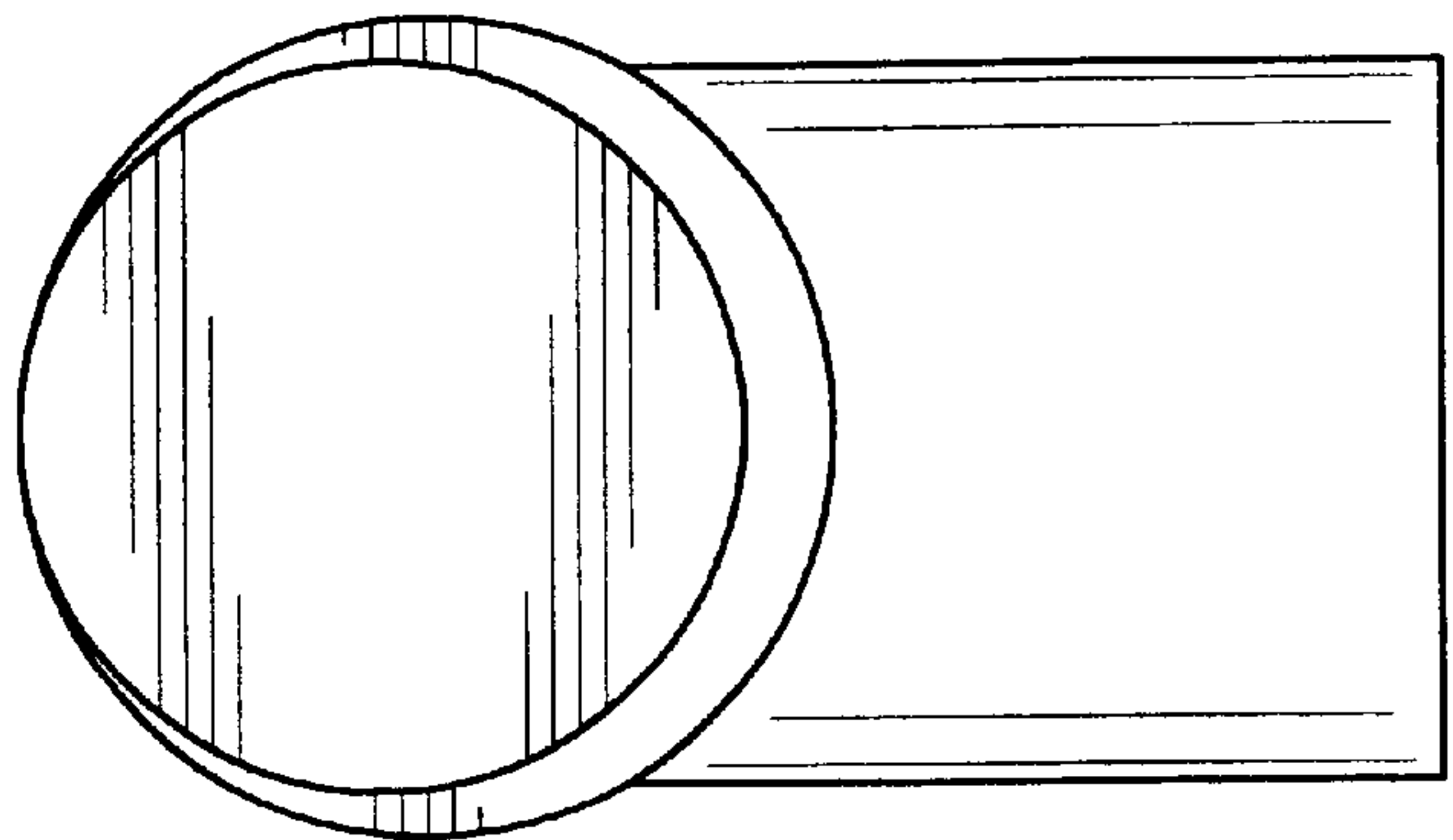


Fig-6