



US00D473001S

(12) **United States Design Patent**
Hoernig

(10) **Patent No.:** **US D473,001 S**

(45) **Date of Patent:** **** Apr. 8, 2003**

(54) **DOUBLE WALL LIGHT**

(75) Inventor: **Victor Hoernig**, Lowell, IN (US)

(73) Assignee: **Bath Unlimited, Inc.**, Fort Mill, SC (US)

(**) Term: **14 Years**

(21) Appl. No.: **29/166,063**

(22) Filed: **Aug. 21, 2002**

(51) **LOC (7) Cl.** **26-03**

(52) **U.S. Cl.** **D26/80; D26/87**

(58) **Field of Search** D26/72, 80-92,
D26/138, 143, 150; 362/147, 404-408,
432, 363, 367, 368

(56) **References Cited**

U.S. PATENT DOCUMENTS

1,090,154 A	*	3/1914	Johns	362/406
D48,158 S	*	11/1915	Morrell	D26/92
D48,279 S	*	12/1915	Guth	D26/83
D85,443 S	*	10/1931	Primakow	D26/81

OTHER PUBLICATIONS

Progress Lighting Catalog No. 124 (c)2000, p. 219, item #P3217-15.*

* cited by examiner

Primary Examiner—Alan P. Douglas

Assistant Examiner—Clare E. Heflin

(74) *Attorney, Agent, or Firm*—Edgar A. Zarins; Lloyd D. Doigan

(57) **CLAIM**

The ornamental design for a double wall light, as shown and described.

DESCRIPTION

FIG. 1 is a perspective view of a double wall light showing my new design;

FIG. 2 is top plan view thereof;

FIG. 3 is a left side view thereof;

FIG. 4 is a front elevational view thereof;

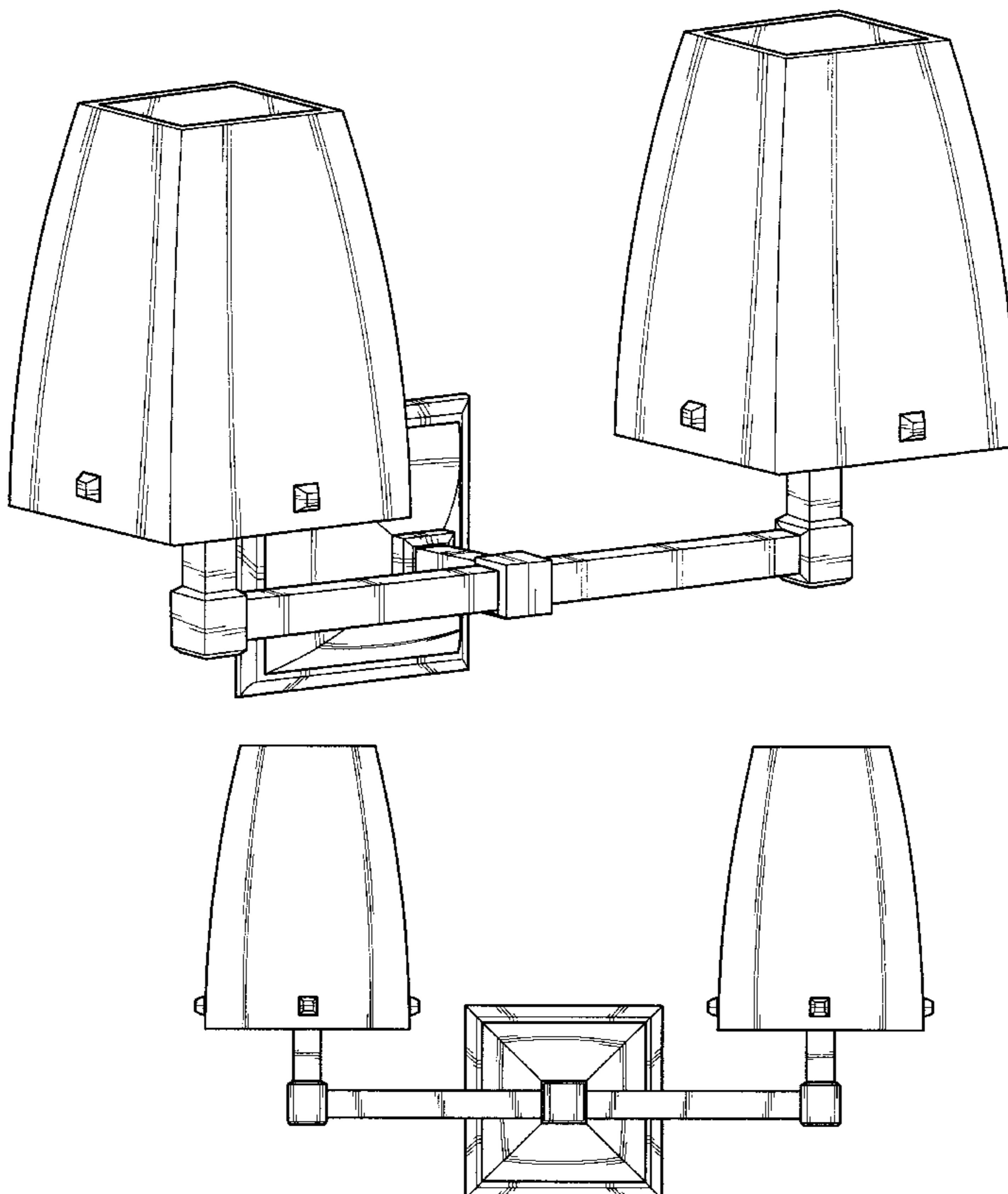
FIG. 5 is a right view thereof;

FIG. 6 is a bottom plan view thereof; and,

FIG. 7 is a rear view thereof.

The broken lines shown on the drawings are for illustrative purposes only and form no part of the claimed design.

1 Claim, 4 Drawing Sheets



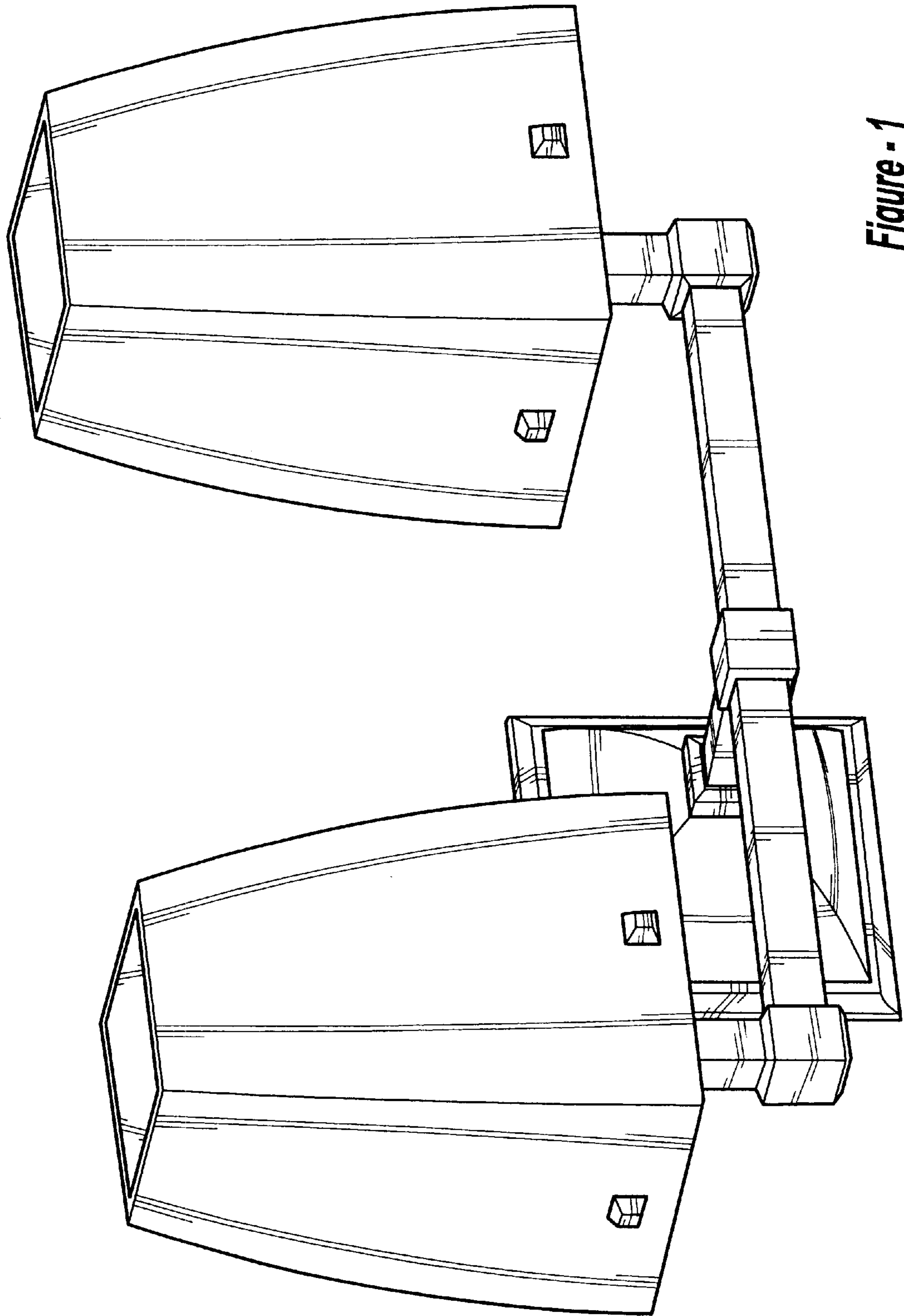


Figure - 1

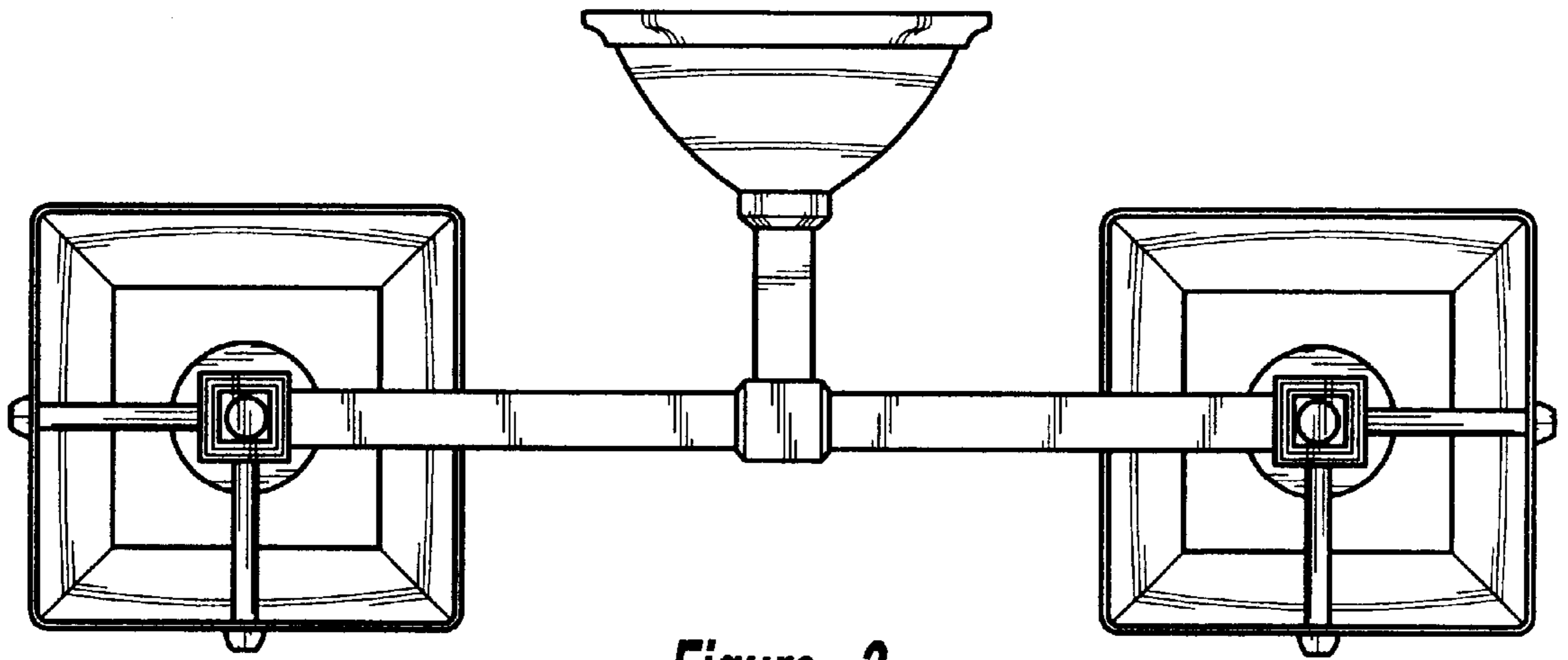


Figure - 2

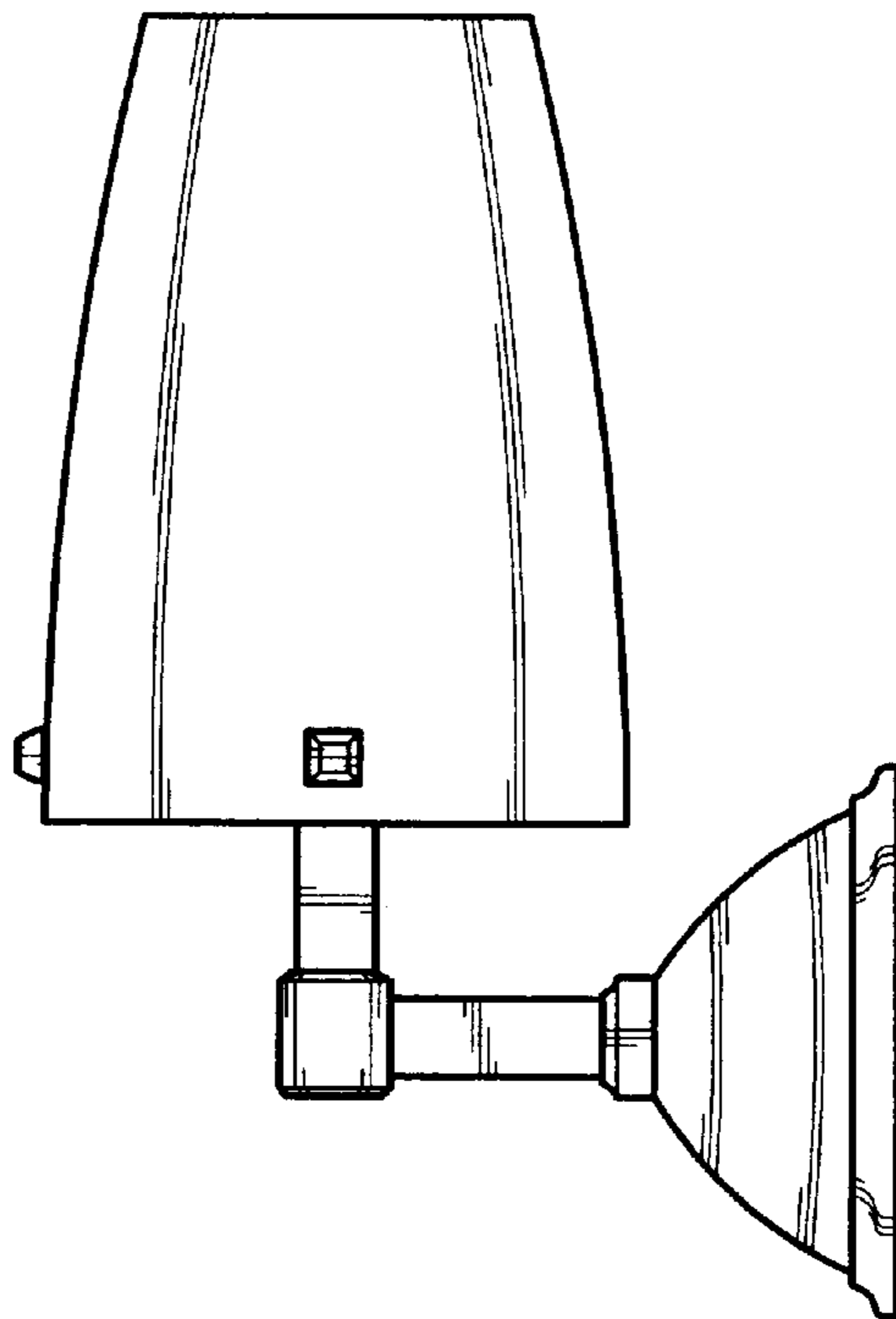


Figure - 3

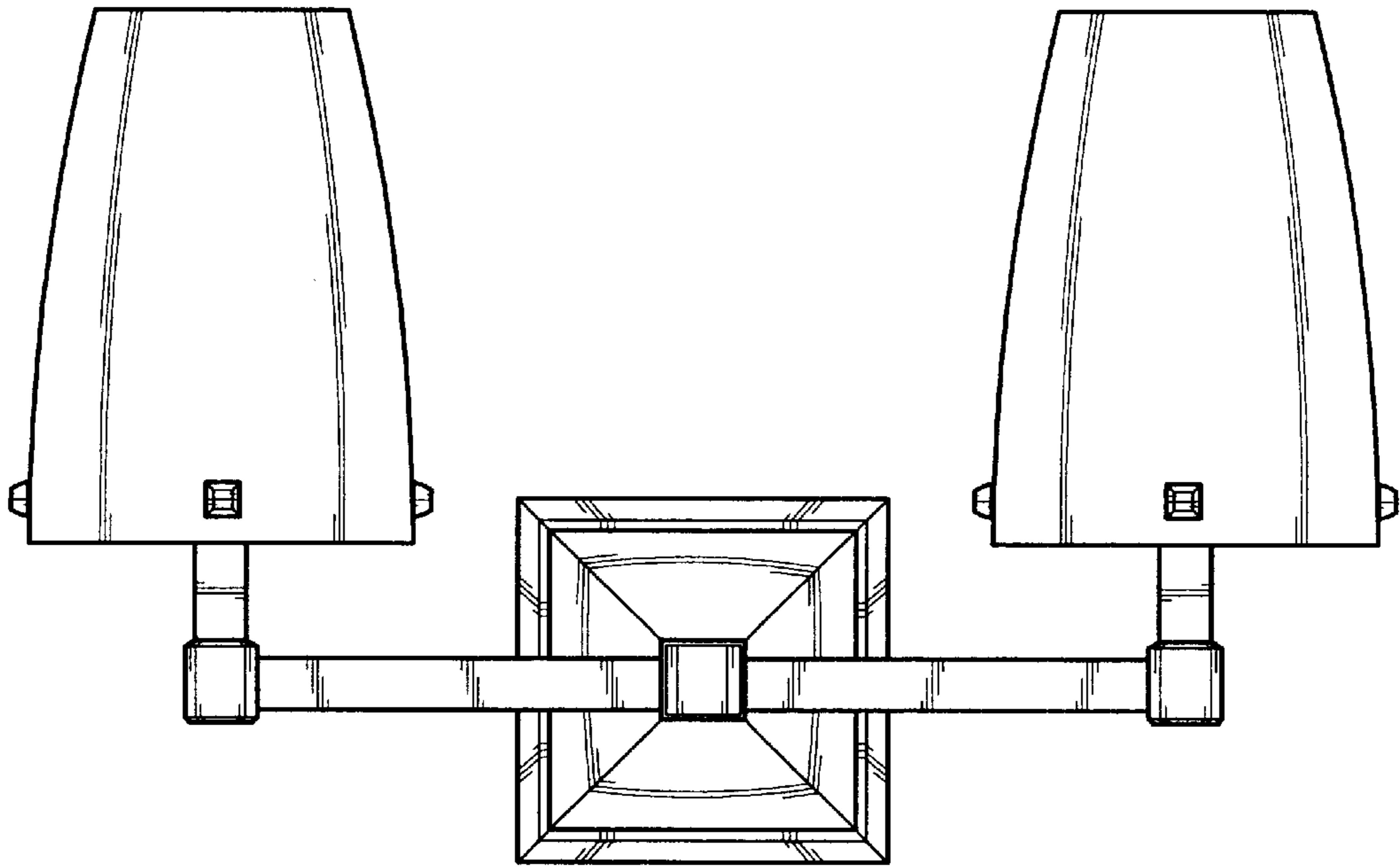


Figure - 4

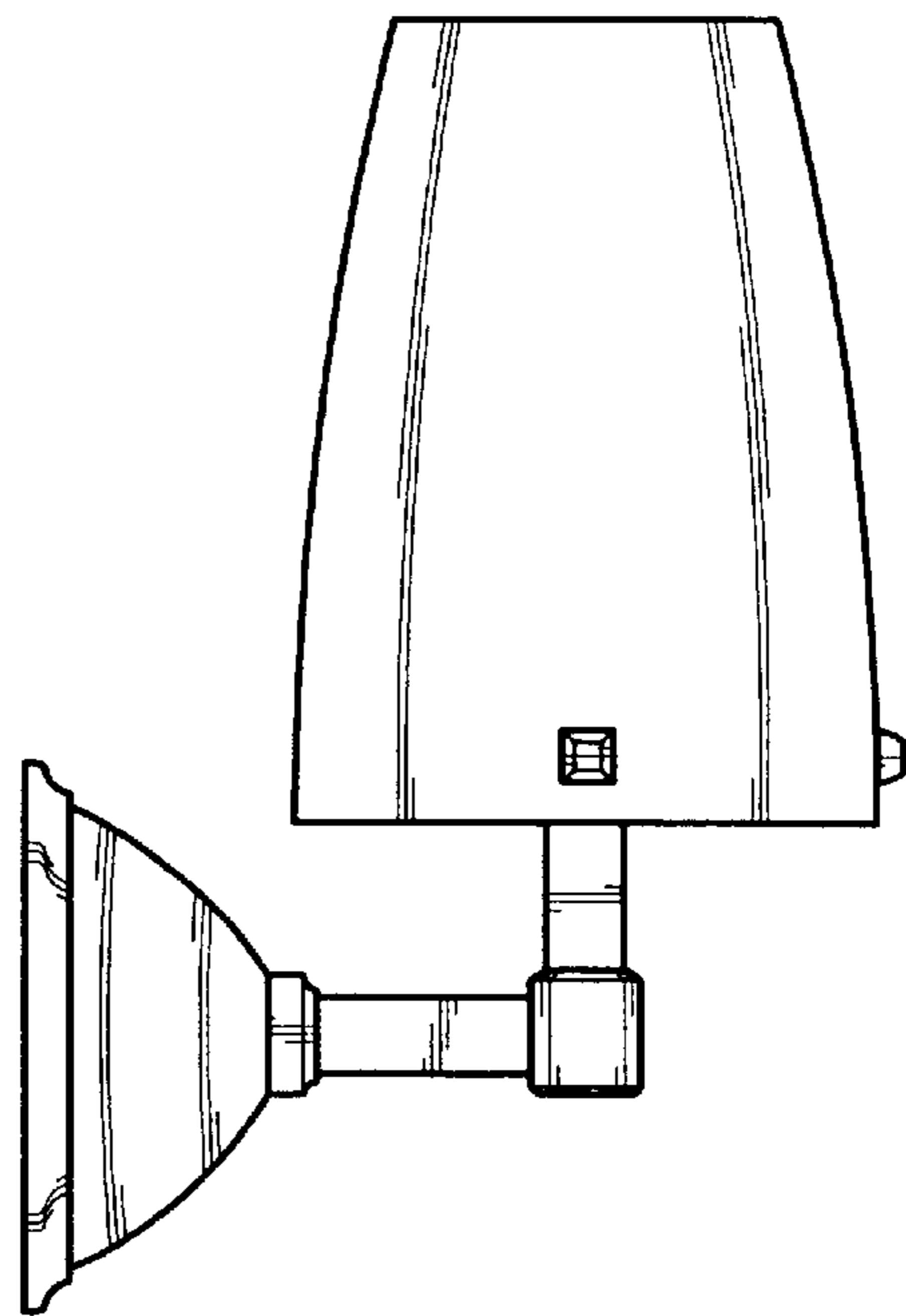


Figure - 5

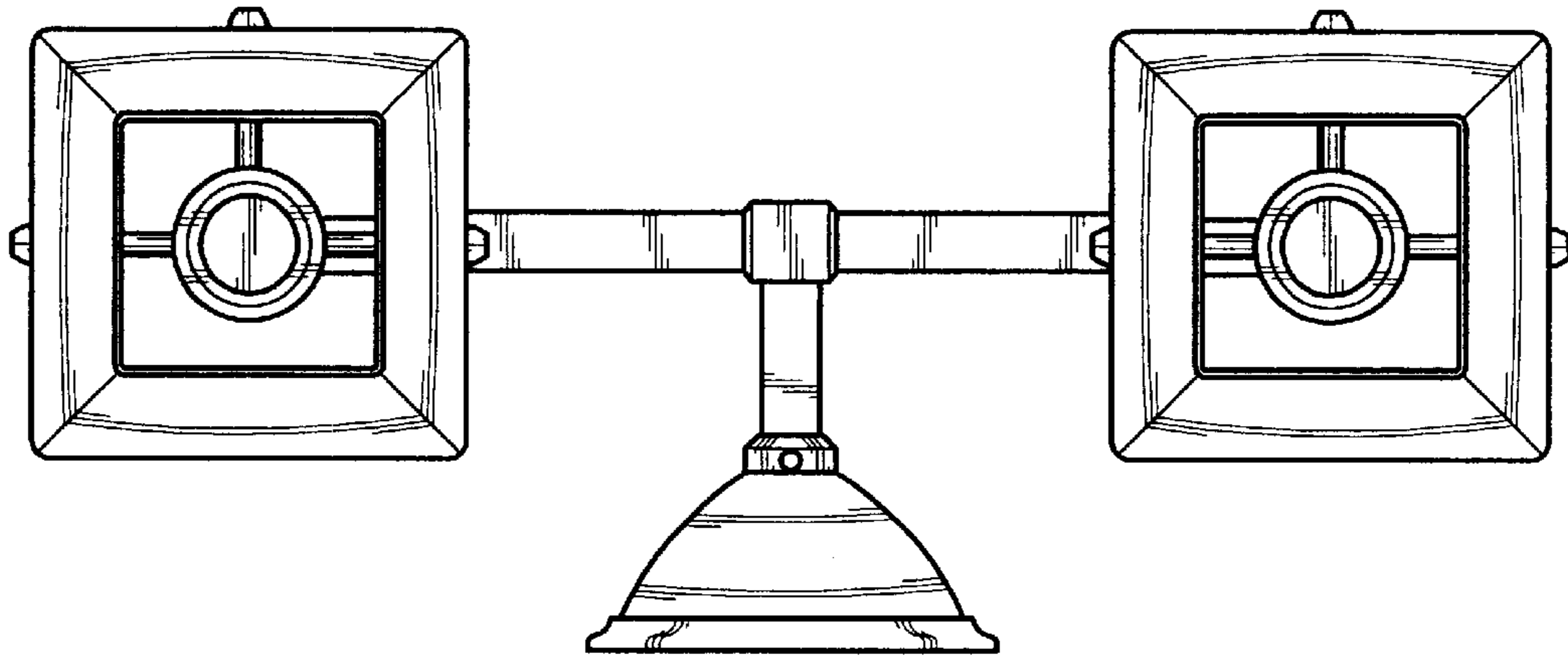


Figure - 6

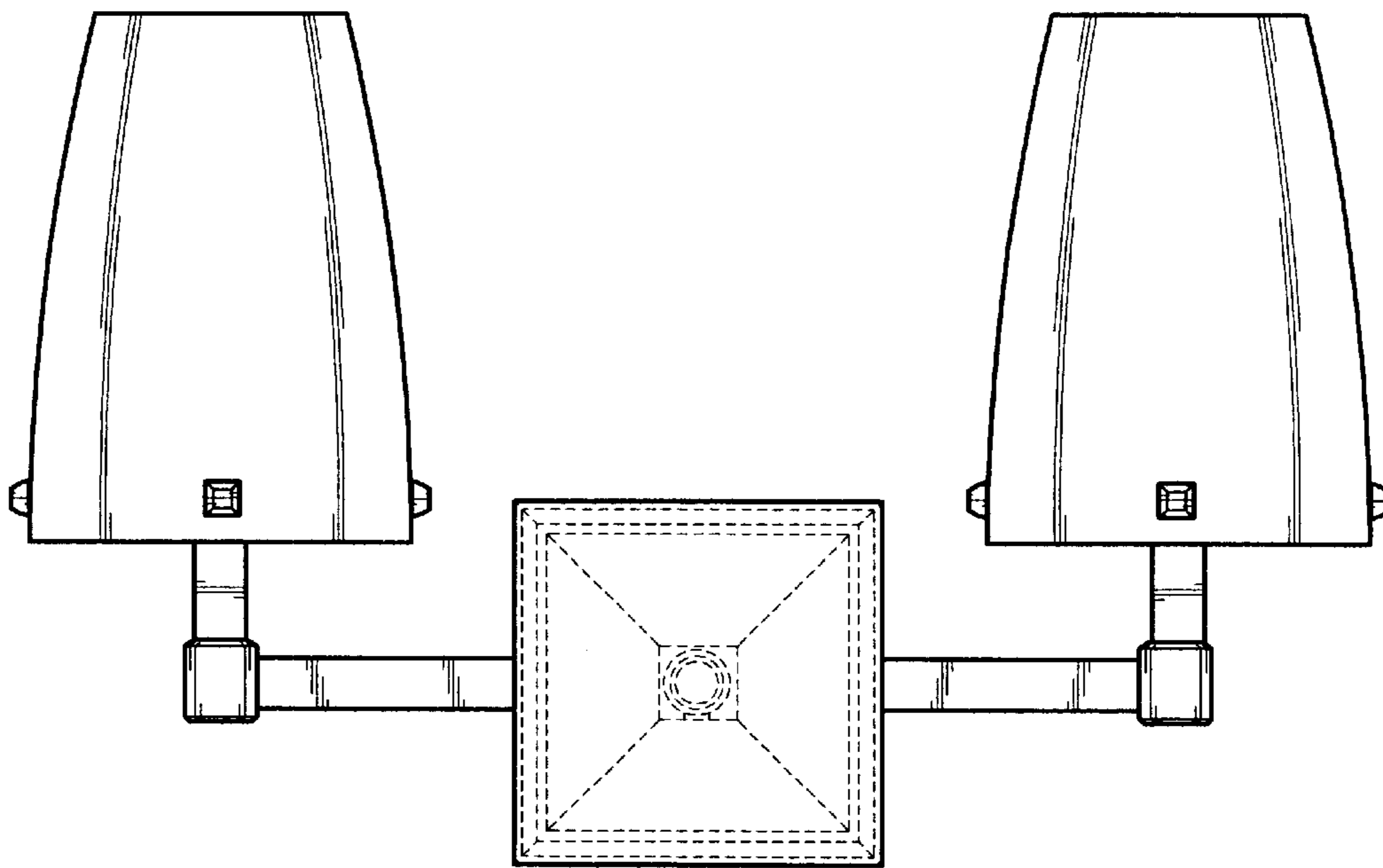


Figure - 7