



US00D472999S

(12) **United States Design Patent** (10) **Patent No.:** **US D472,999 S**
Layne et al. (45) **Date of Patent:** **** Apr. 8, 2003**

(54) **TRACK LIGHTING FIXTURE**

(75) Inventors: **Bruce Layne**, Wheaton, IL (US);
James Vincent Agro, Peachtree City,
GA (US); **Steven Walter Pyschos**,
Peachtree City, GA (US)

(73) Assignee: **Cooper Technologies Company**,
Houston, TX (US)

(**) Term: **14 Years**

(21) Appl. No.: **29/159,915**

(22) Filed: **Apr. 30, 2002**

Related U.S. Application Data

(63) Continuation-in-part of application No. 29/127,062, filed on
Jul. 28, 2000.

(51) **LOC (7) Cl.** **26-05**

(52) **U.S. Cl.** **D26/61**

(58) **Field of Search** D26/60-66; 362/147,
362/269, 275, 287, 418, 419, 427, 428

(56) **References Cited**

U.S. PATENT DOCUMENTS

D296,013	S	*	5/1988	Layne et al.	D26/61
4,957,455	A		9/1990	Horiuchi et al.		
D313,866	S	*	1/1991	Brown	D26/61
5,095,413	A		3/1992	Goldberg		
5,238,425	A		8/1993	Killower		
D344,262	S		2/1994	Bray		
D362,656	S		9/1995	Roos et al.		
D368,972	S	*	4/1996	Bray et al.	D26/61
5,876,249	A		3/1999	Kim		
6,004,012	A		12/1999	Hsieh		
6,158,882	A		12/2000	Bischoff, Jr.		

OTHER PUBLICATIONS

Home Lighting and Accessories, Apr. 1998, p. 23, W.A.C.
Lighting, Track Lamp Accessory.
Translite Systems Products brochure from www.translite.
com, prior to Apr. 30, 2002.
Ardee Lighting Products brochure from www.ardeelighting.
com, prior to Apr. 30, 2002.
Juno Lighting Products brochure from www.junolighting.
com, prior to Apr. 30, 2002.

Belfer Lighting Products brochure from www.belfer.com,
prior to Apr. 30, 2002.

Erco Lighting Products brochure from www.erco.com, prior
to Apr. 30, 2002.

* cited by examiner

Primary Examiner—Marcus A. Jackson

(74) *Attorney, Agent, or Firm*—Thomas, Kayden,
Horstemeyer & Risley LLP

(57) **CLAIM**

The ornamental design for a track lighting fixture, as shown
and described.

DESCRIPTION

FIG. 1 is an isometric view of one embodiment of the
present invention;

FIG. 2 is a right side view of the embodiment shown in FIG.
1;

FIG. 3 is a left side view of the embodiment shown in FIG.
1;

FIG. 4 is a bottom view of the embodiment shown in FIG.
1 without a lamp;

FIG. 5 is a top view of the embodiment shown in FIG. 1
without a lamp;

FIG. 6 is a front view of the embodiment shown in FIG. 1
without a lamp;

FIG. 7 is a rear view of the embodiment shown in FIG. 1
without a lamp;

FIG. 8 is an isometric view of another embodiment of the
present invention;

FIG. 9 is a right side view of the embodiment shown in FIG.
8;

FIG. 10 is a left side view of the embodiment shown in FIG.
8;

FIG. 11 is a bottom view of the embodiment shown in FIG.
8 with lamps;

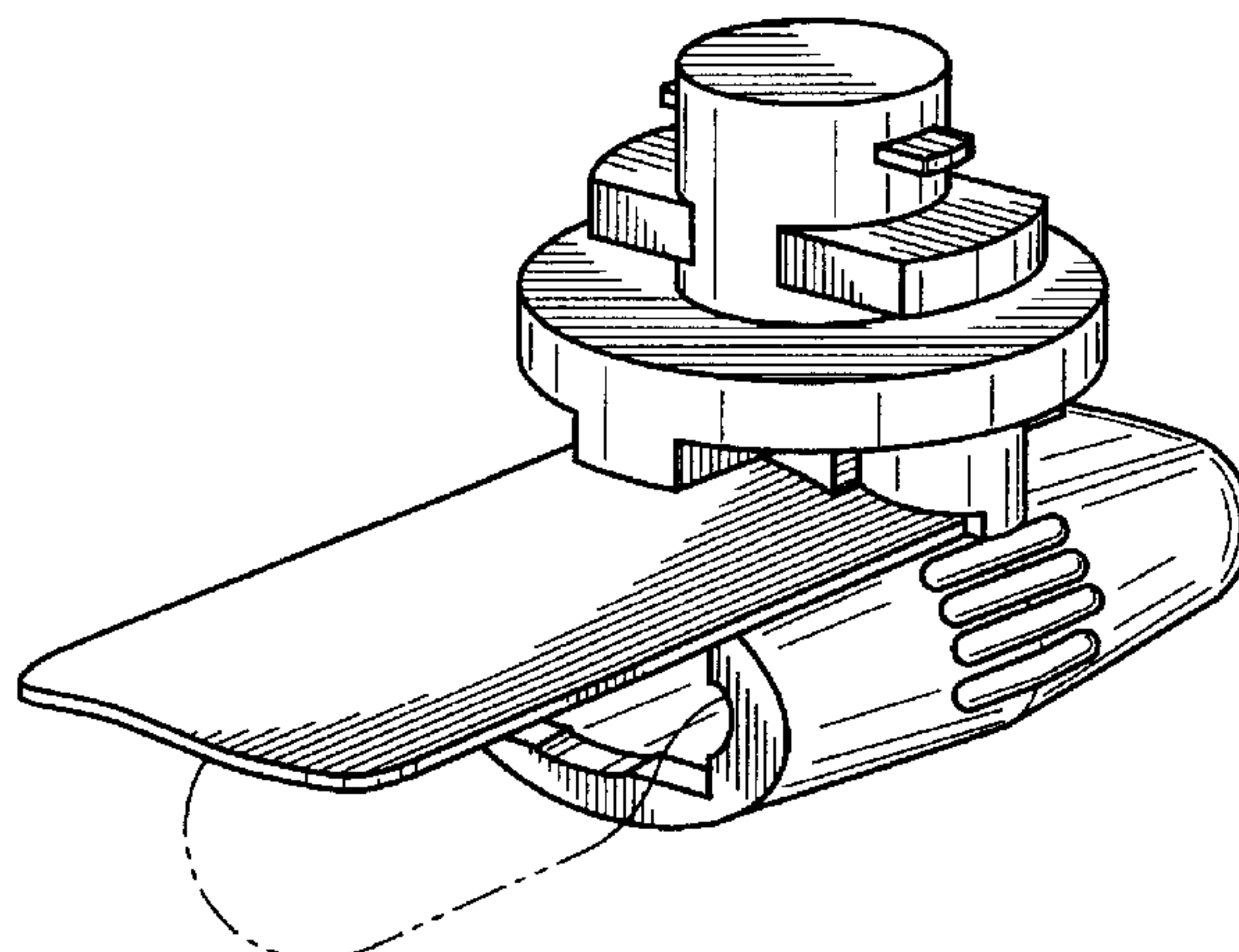
FIG. 12 is a top view of the embodiment shown in FIG. 8
without lamps;

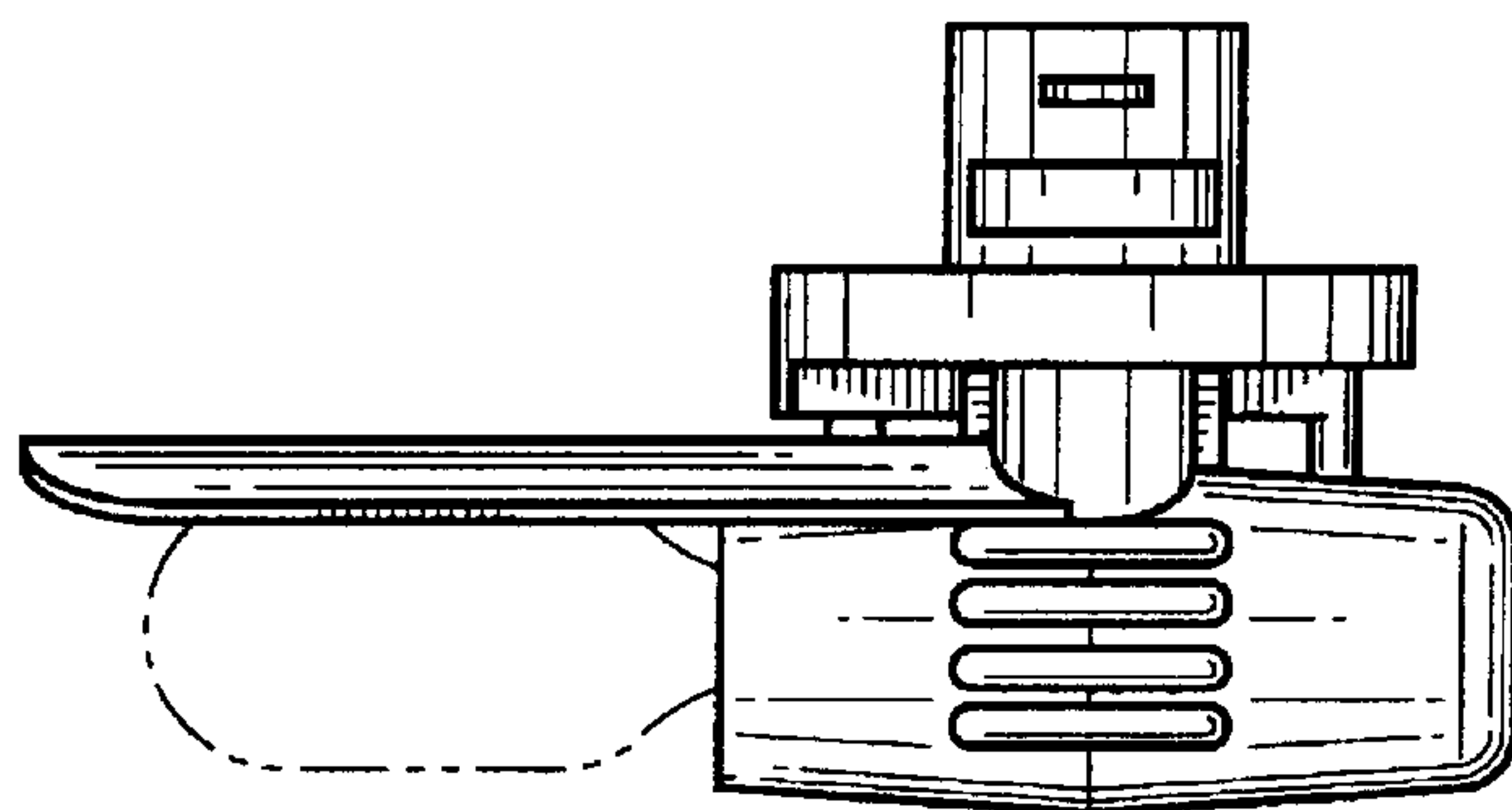
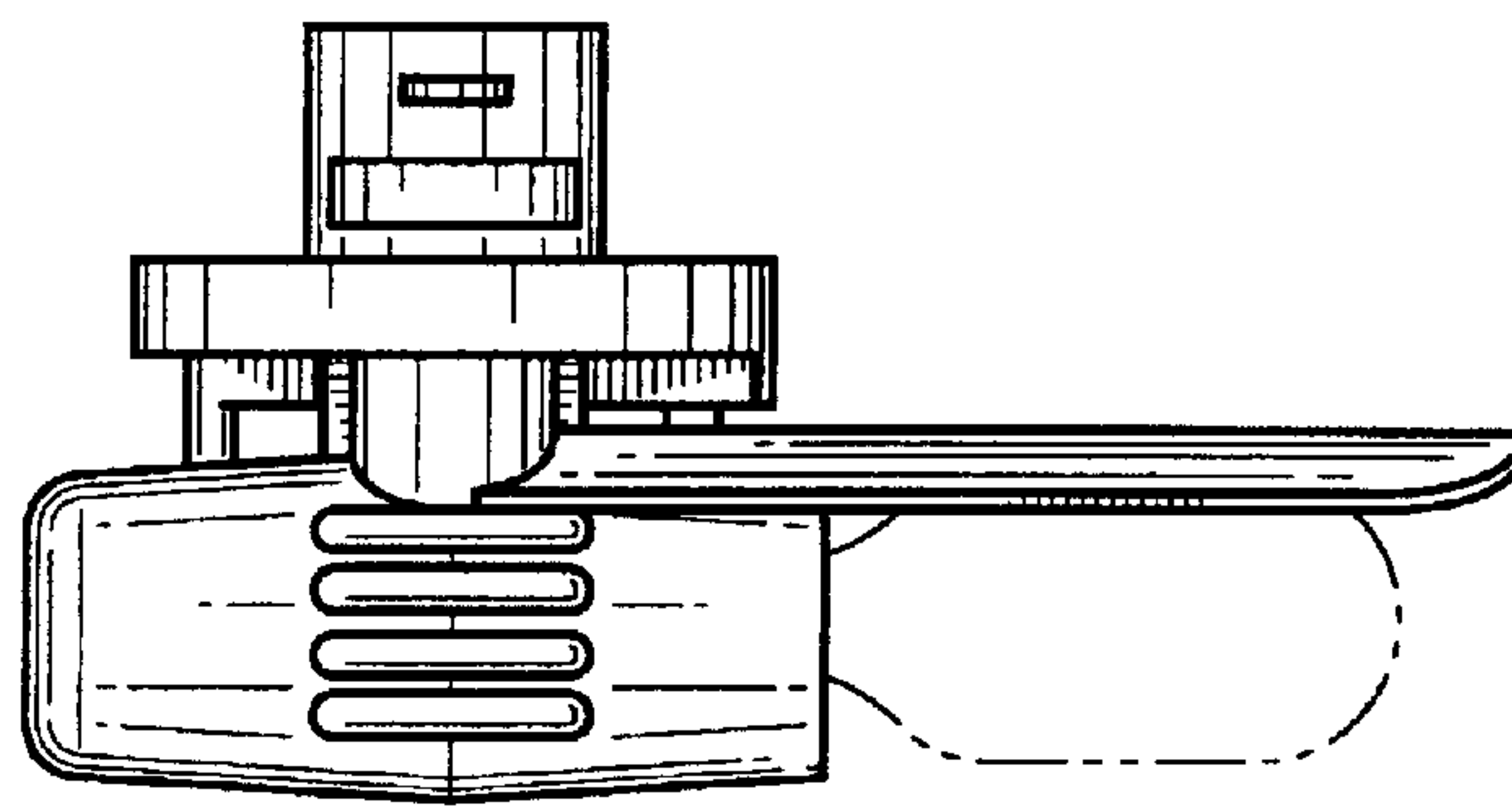
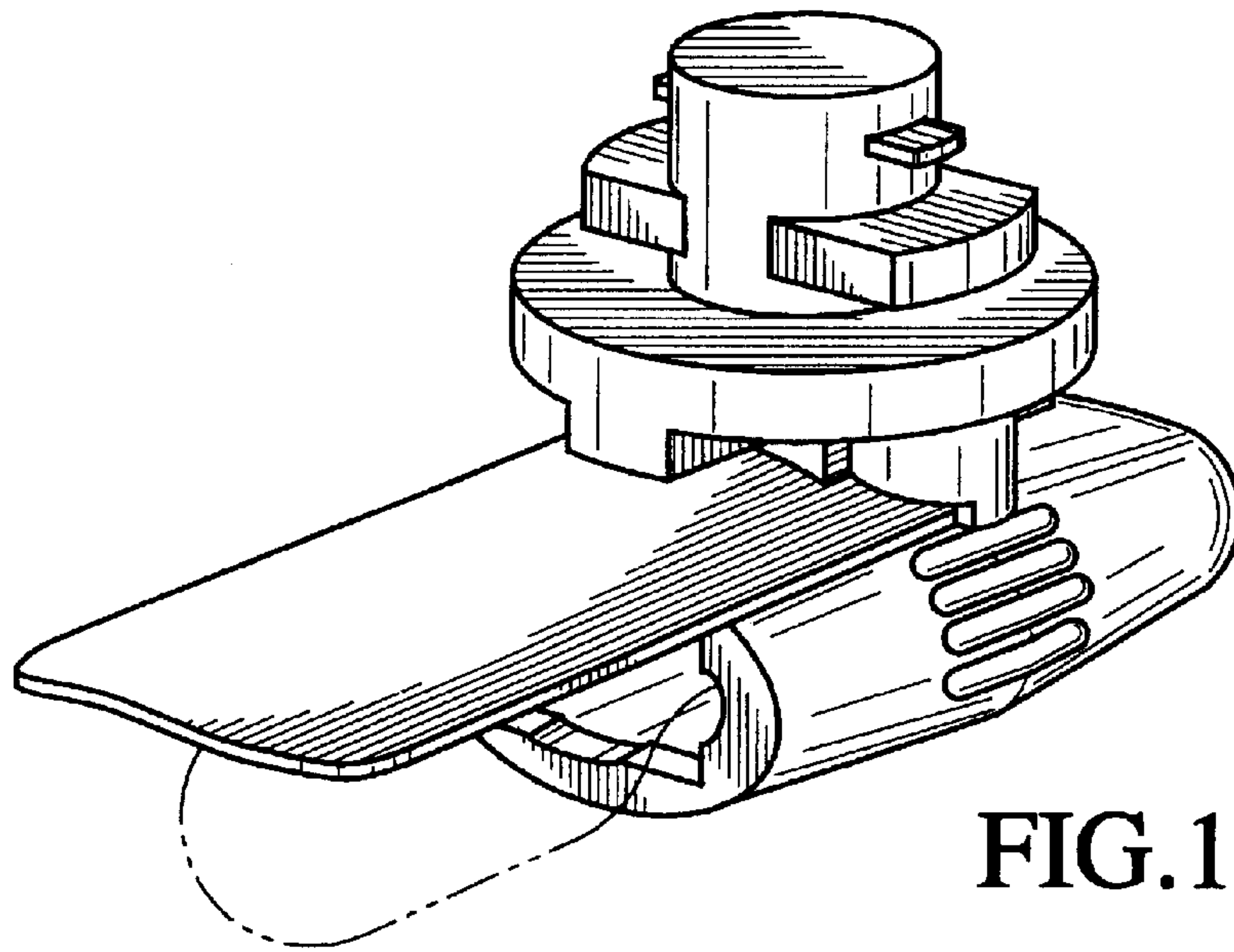
FIG. 13 is a front view of the embodiment shown in FIG. 8
without lamps; and,

FIG. 14 is a rear view of the embodiment shown in FIG. 8
without lamps.

The broken lines shown in the Figures illustrate exemplary
lamps that form no part of the claimed design.

1 Claim, 4 Drawing Sheets





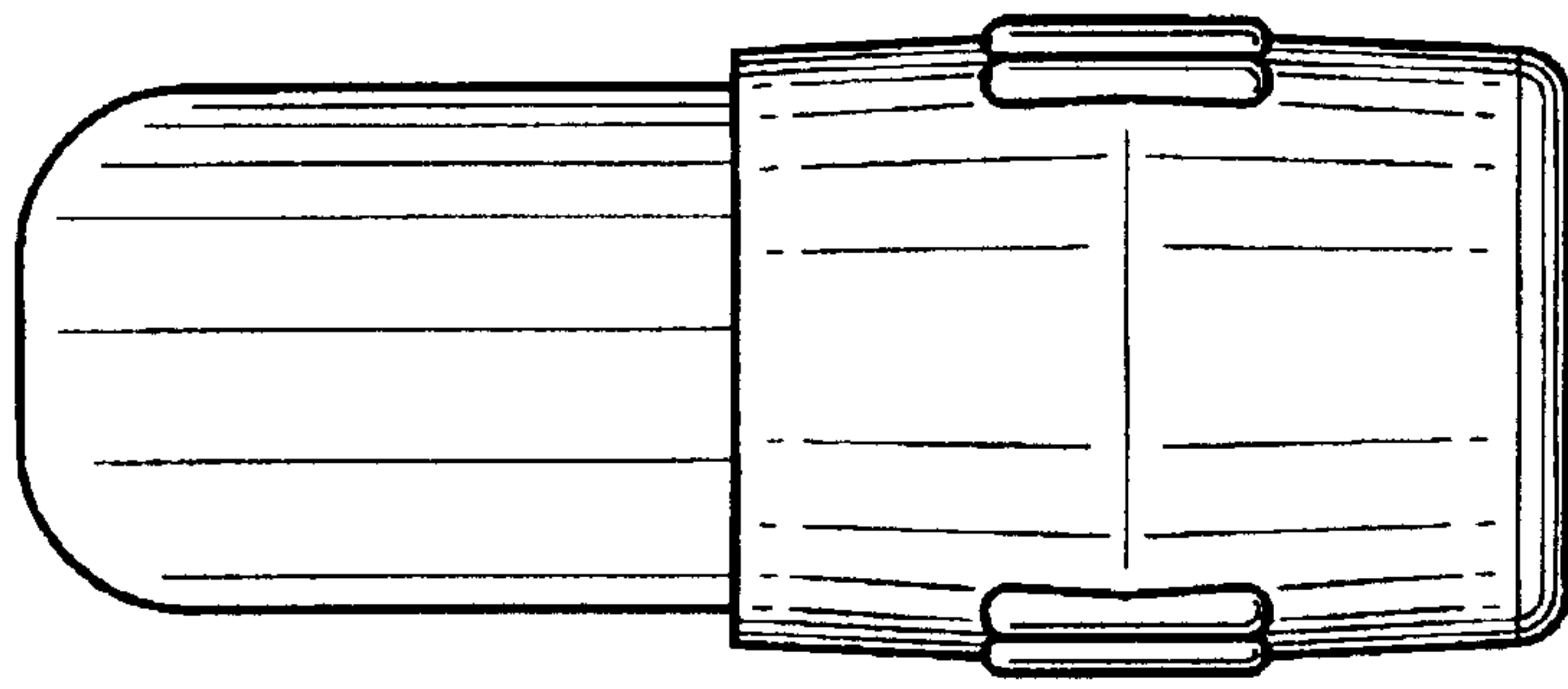


FIG. 4

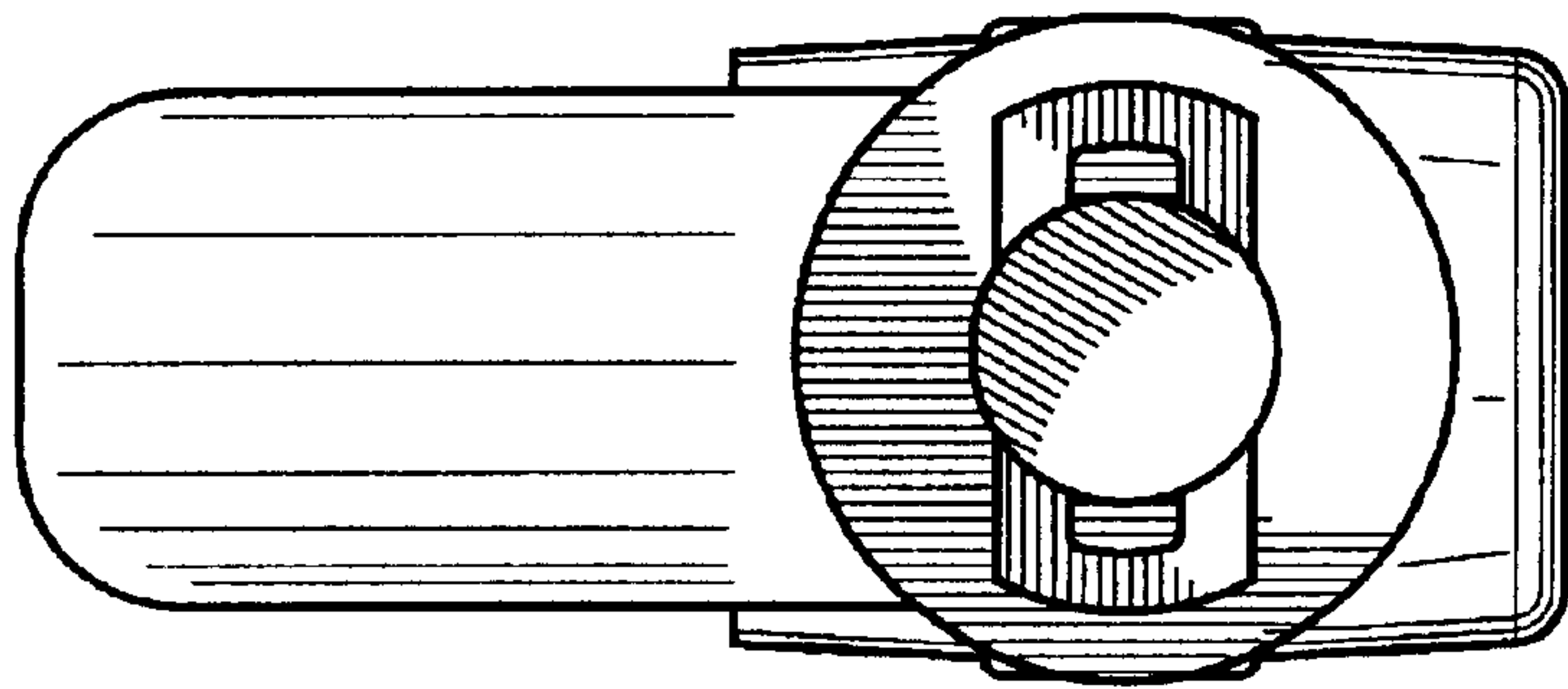


FIG. 5

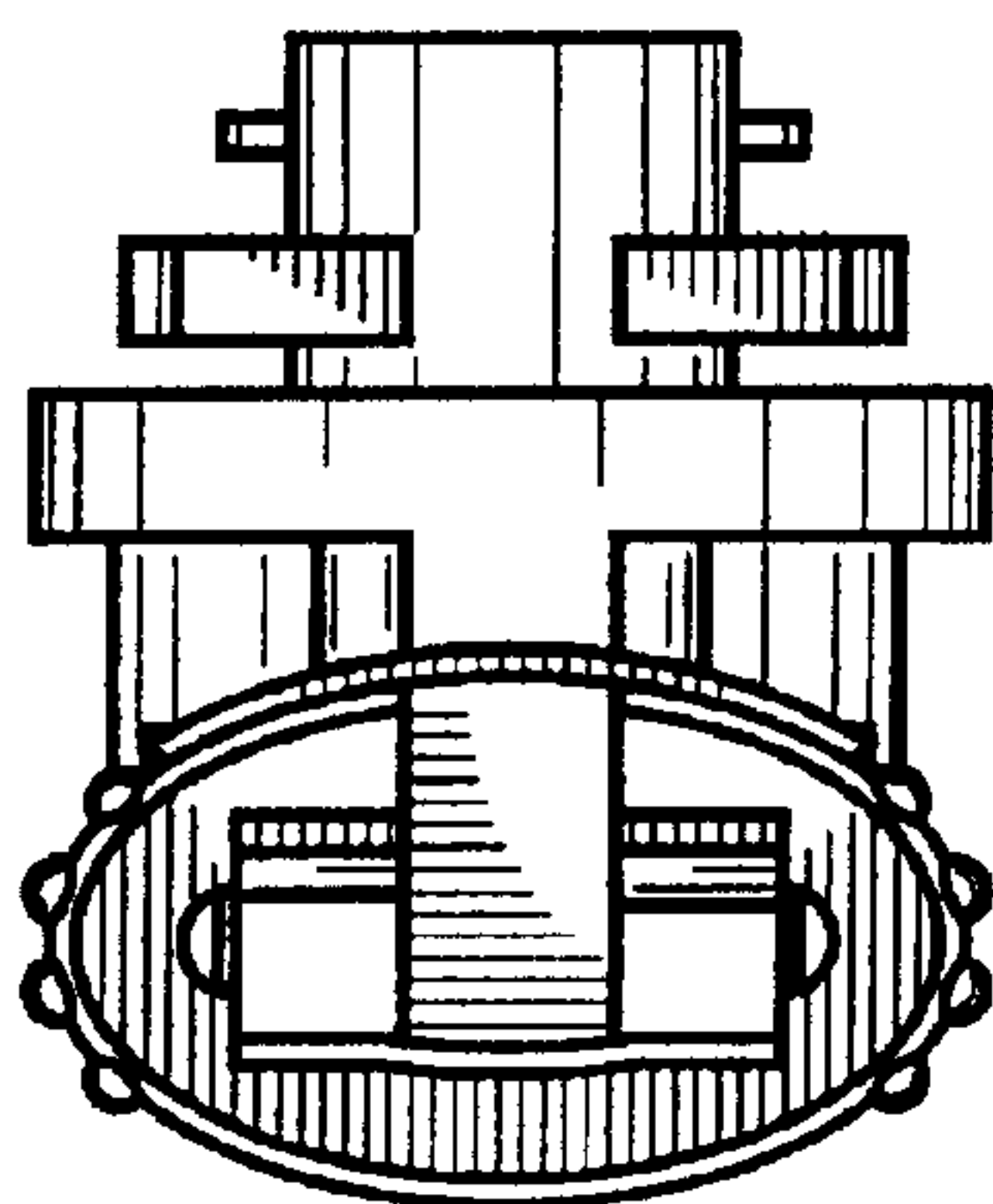


FIG. 6

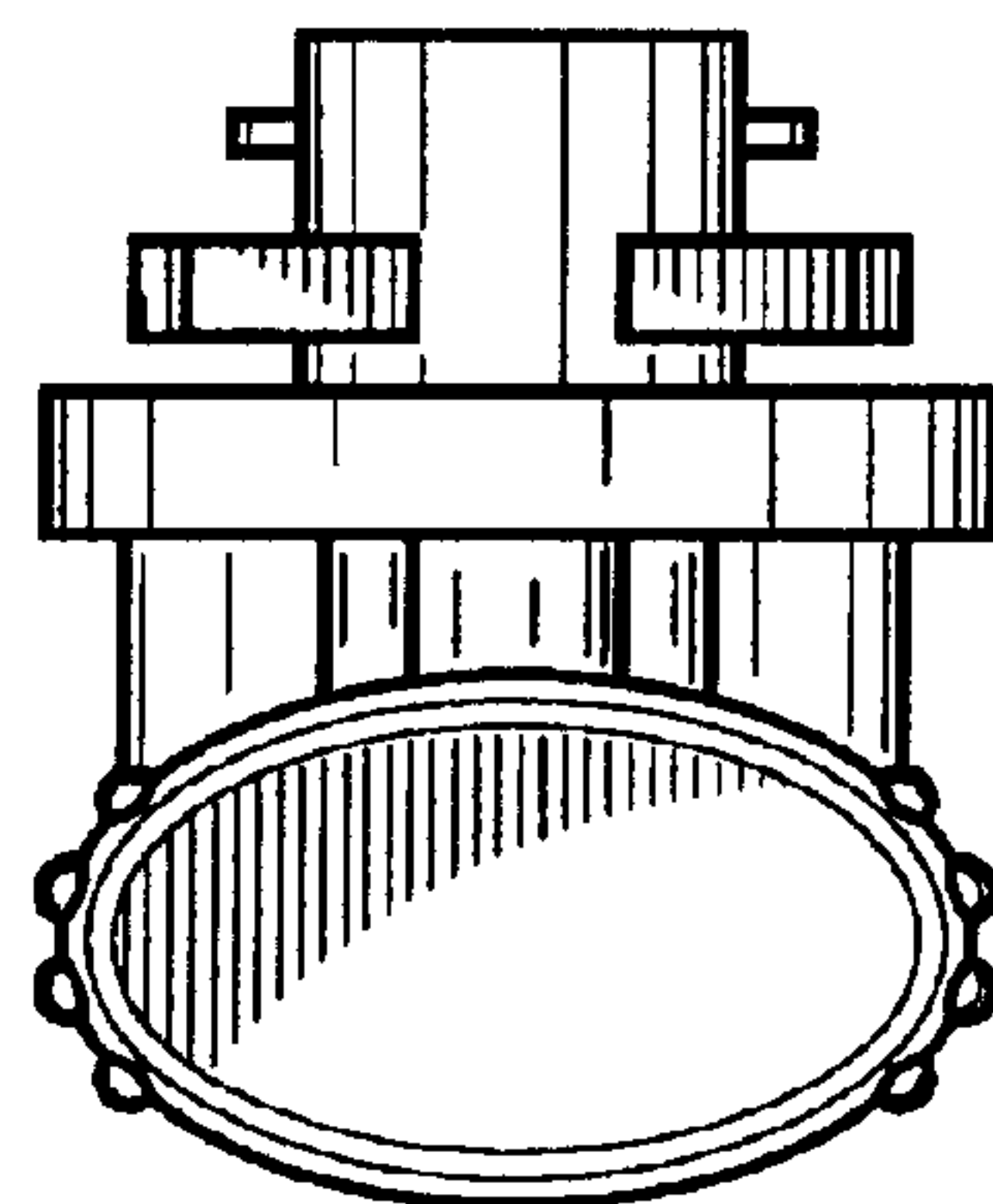
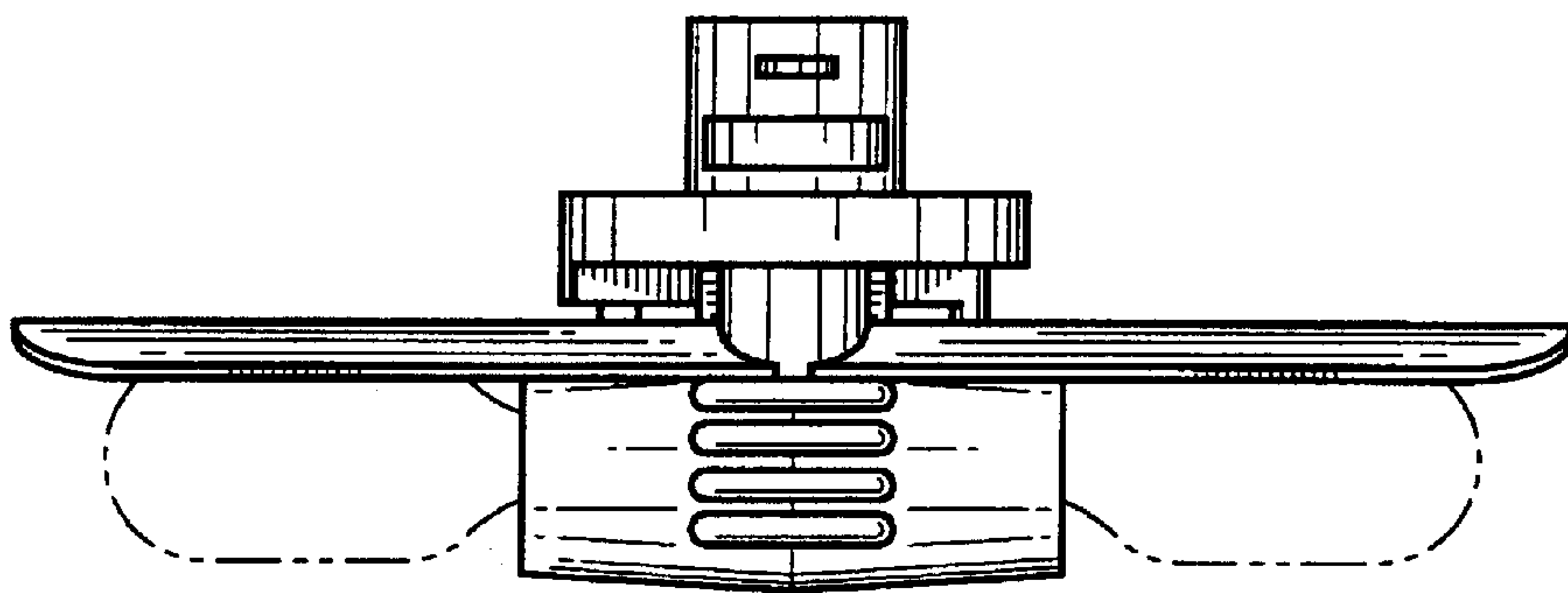
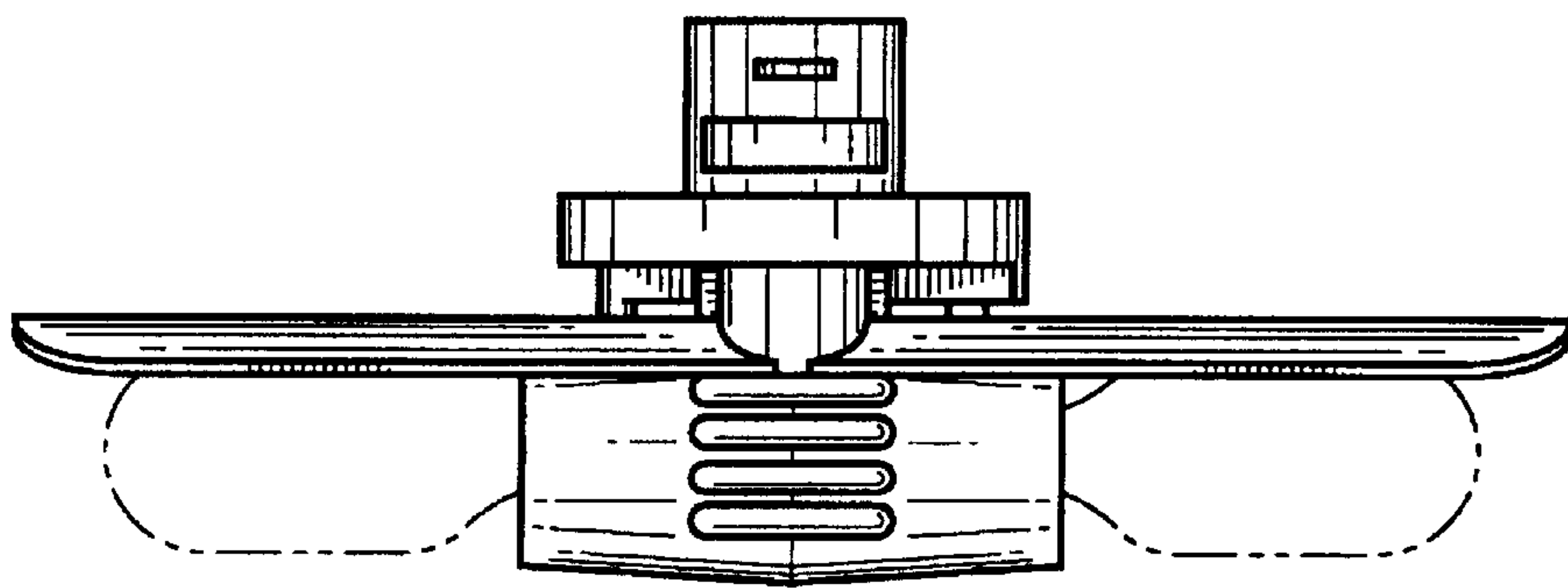
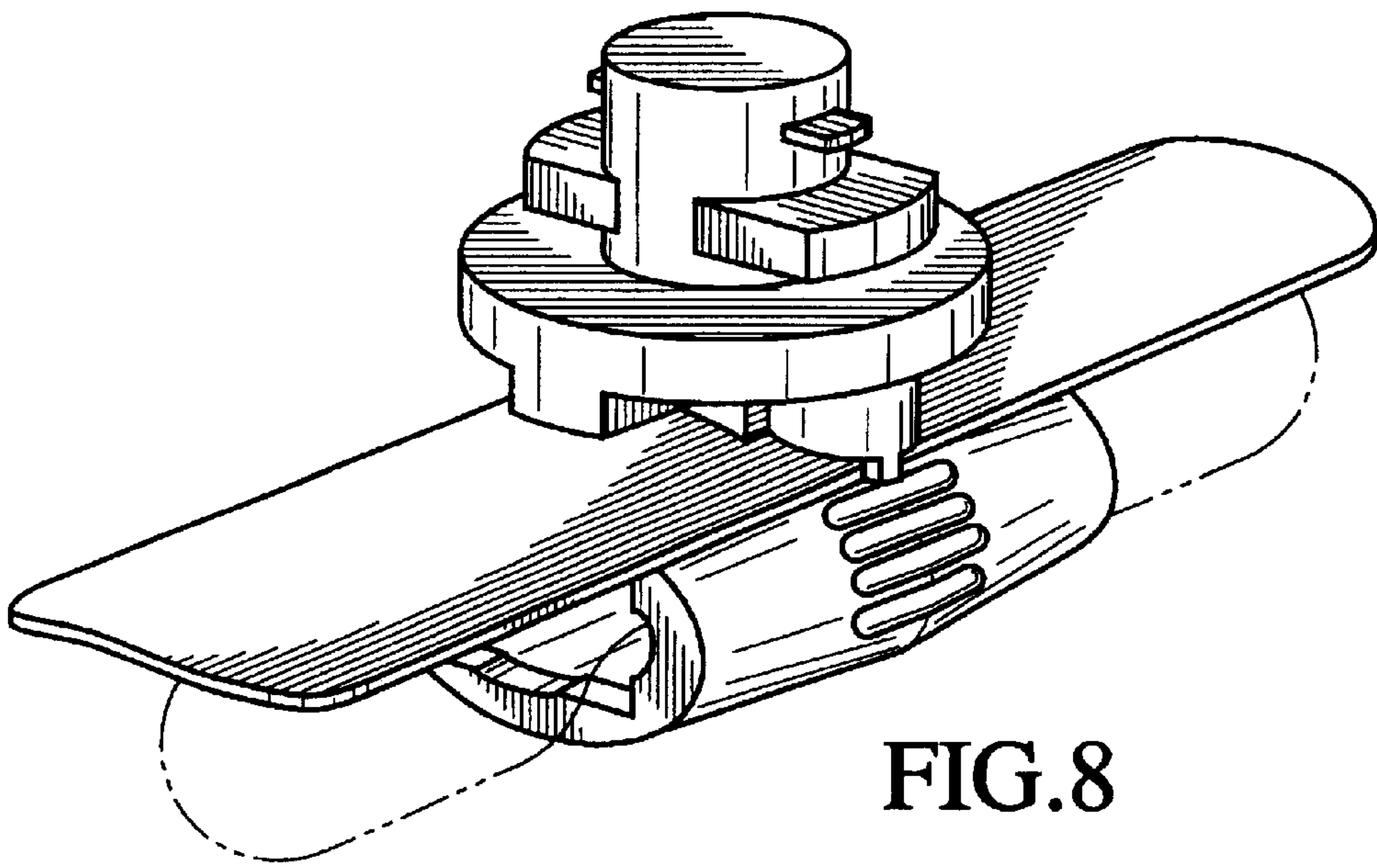


FIG. 7



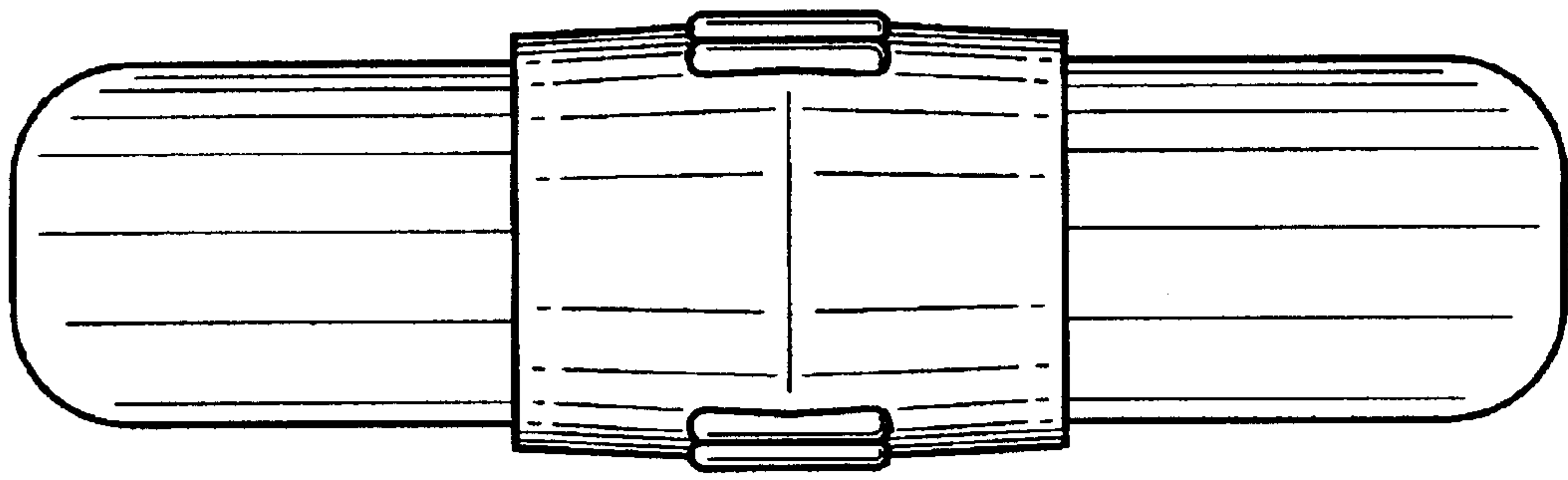


FIG. 11

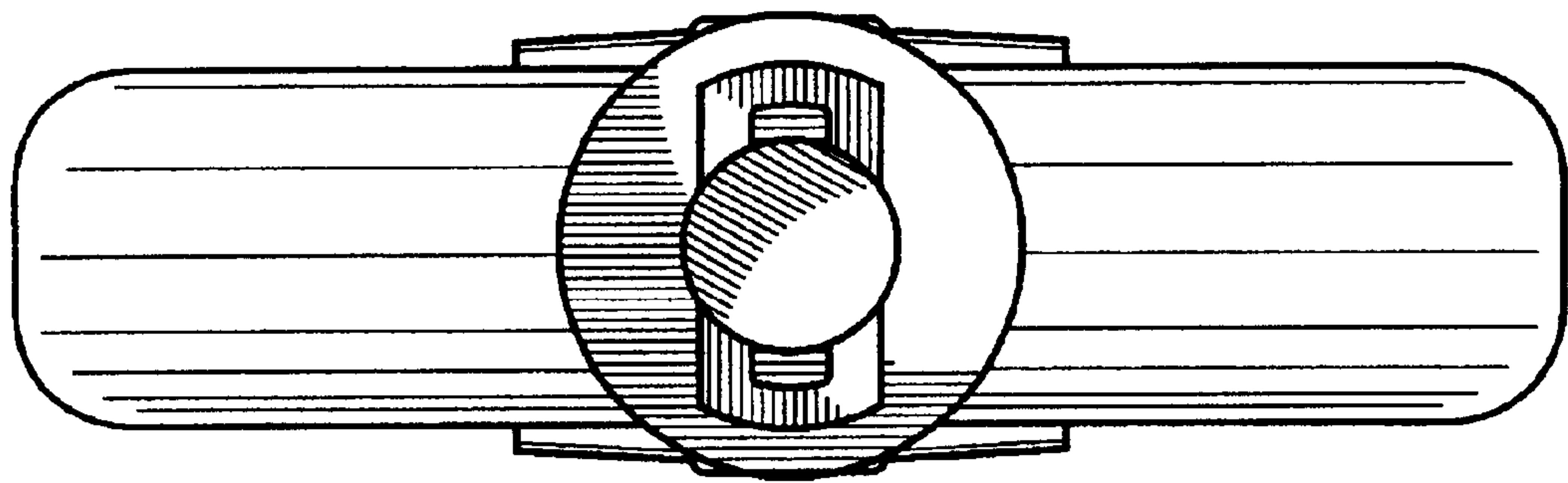


FIG. 12

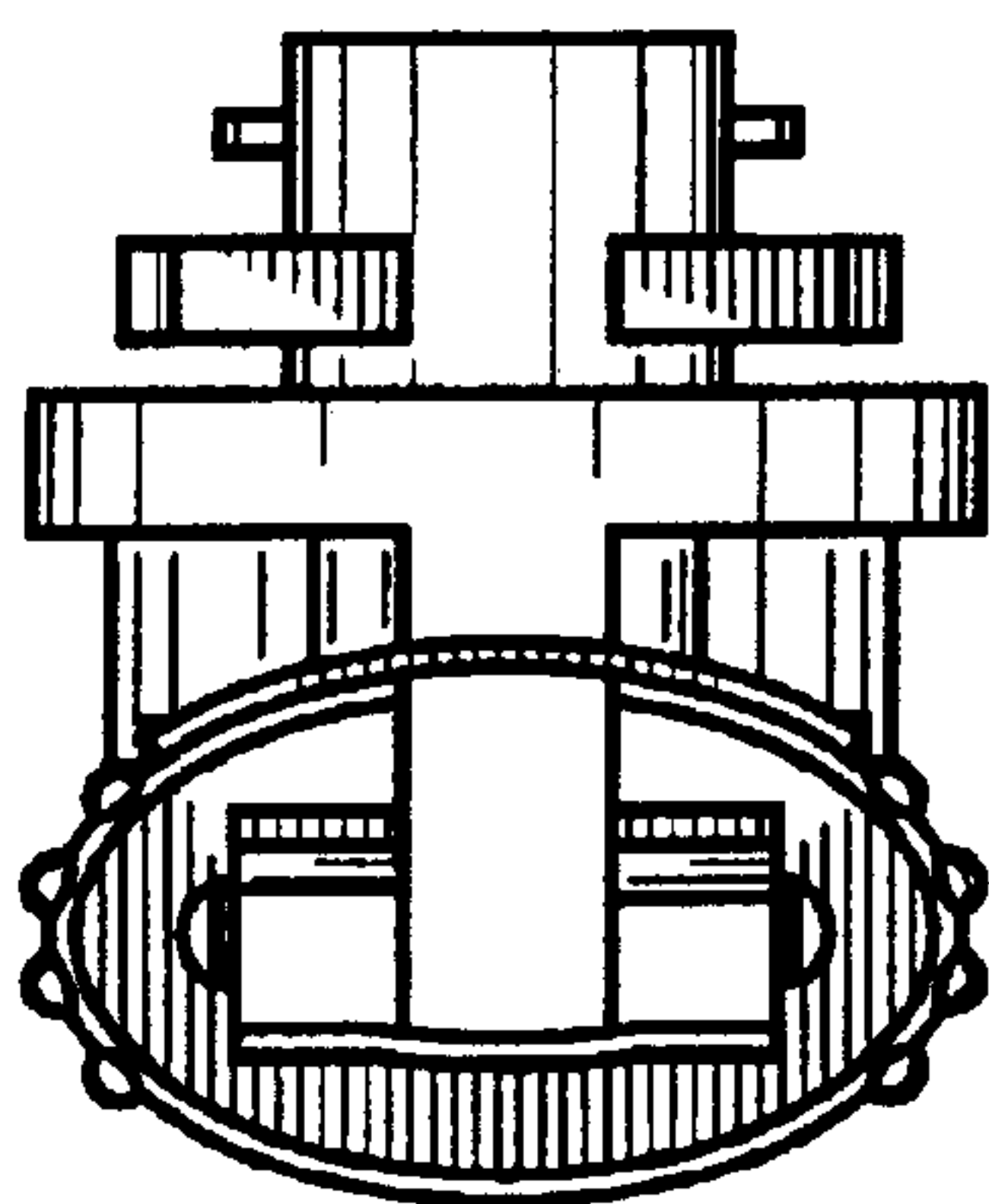


FIG. 13

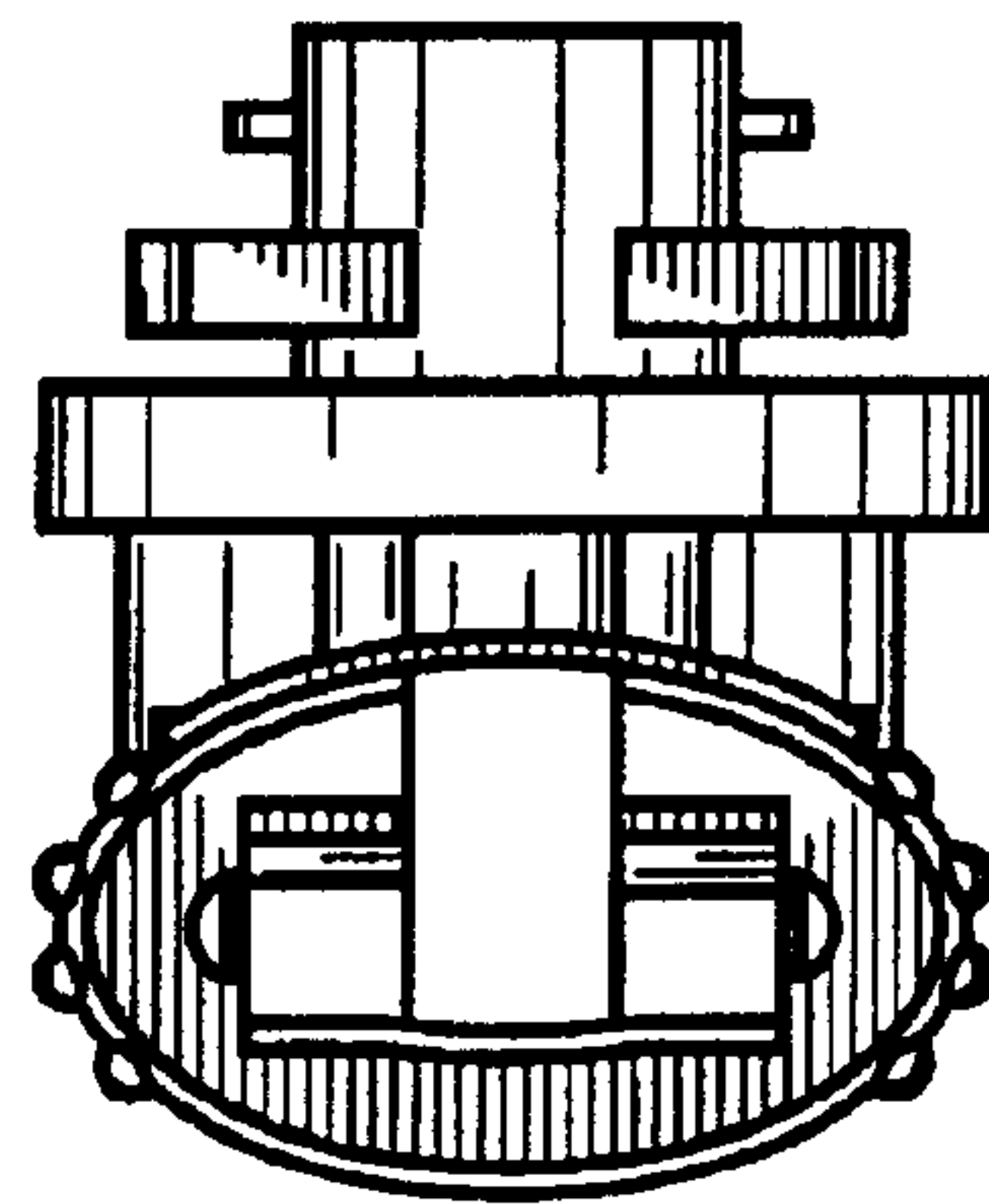


FIG. 14