



US00D472997S

(12) **United States Design Patent**
Yang

(10) **Patent No.:** **US D472,997 S**

(45) **Date of Patent:** **** Apr. 8, 2003**

(54) **FLASHLIGHT**

D291,227 S * 8/1987 Evans D26/37

(76) **Inventor:** **Chang Yao Yang**, P.O. Box 10-69,
Chong Ho, Taipei (TW), 235

* cited by examiner

Primary Examiner—Marcus A. Jackson

(**) **Term:** **14 Years**

(57) **CLAIM**

(21) **Appl. No.:** **29/163,116**

The ornamental design for a flashlight, as shown and described.

(22) **Filed:** **Jun. 24, 2002**

DESCRIPTION

(51) **LOC (7) Cl.** **26-02**

(52) **U.S. Cl.** **D26/38**

(58) **Field of Search** D26/37-50; 362/157,
362/158, 171, 172, 173, 183-208

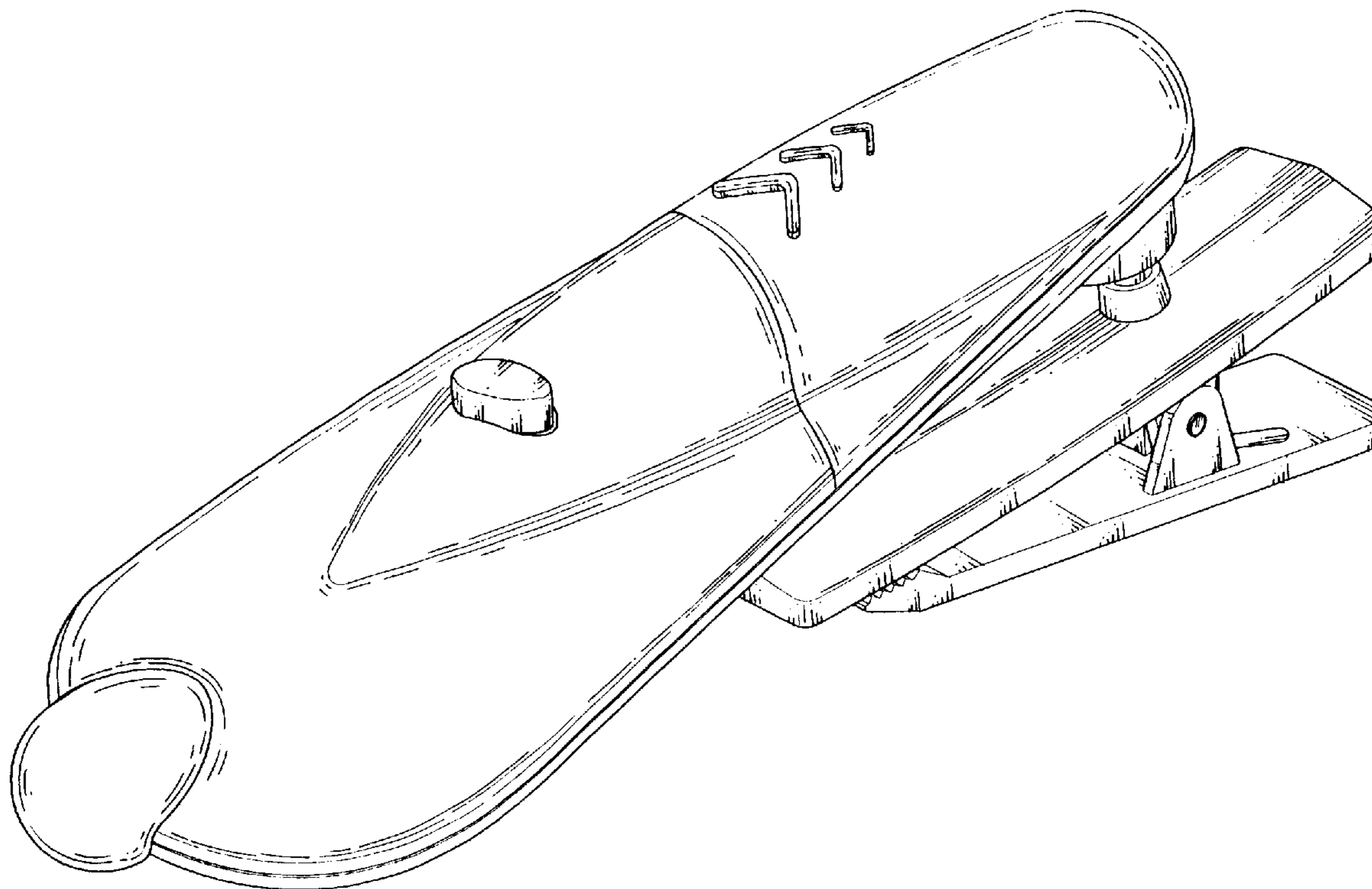
FIG. 1 is a perspective view of a flashlight showing my new design;
FIG. 2 is a front elevational view thereof;
FIG. 3 is a rear elevational view thereof;
FIG. 4 is a top plan view thereof;
FIG. 5 is a bottom plan view thereof;
FIG. 6 is a left side elevational view thereof; and,
FIG. 7 is a right side elevational view thereof.

(56) **References Cited**

U.S. PATENT DOCUMENTS

- D135,153 S * 8/1943 Gensburg D26/27
- D201,913 S * 8/1965 Raymond D26/45
- D225,784 S * 1/1973 Edinger D26/37

1 Claim, 4 Drawing Sheets



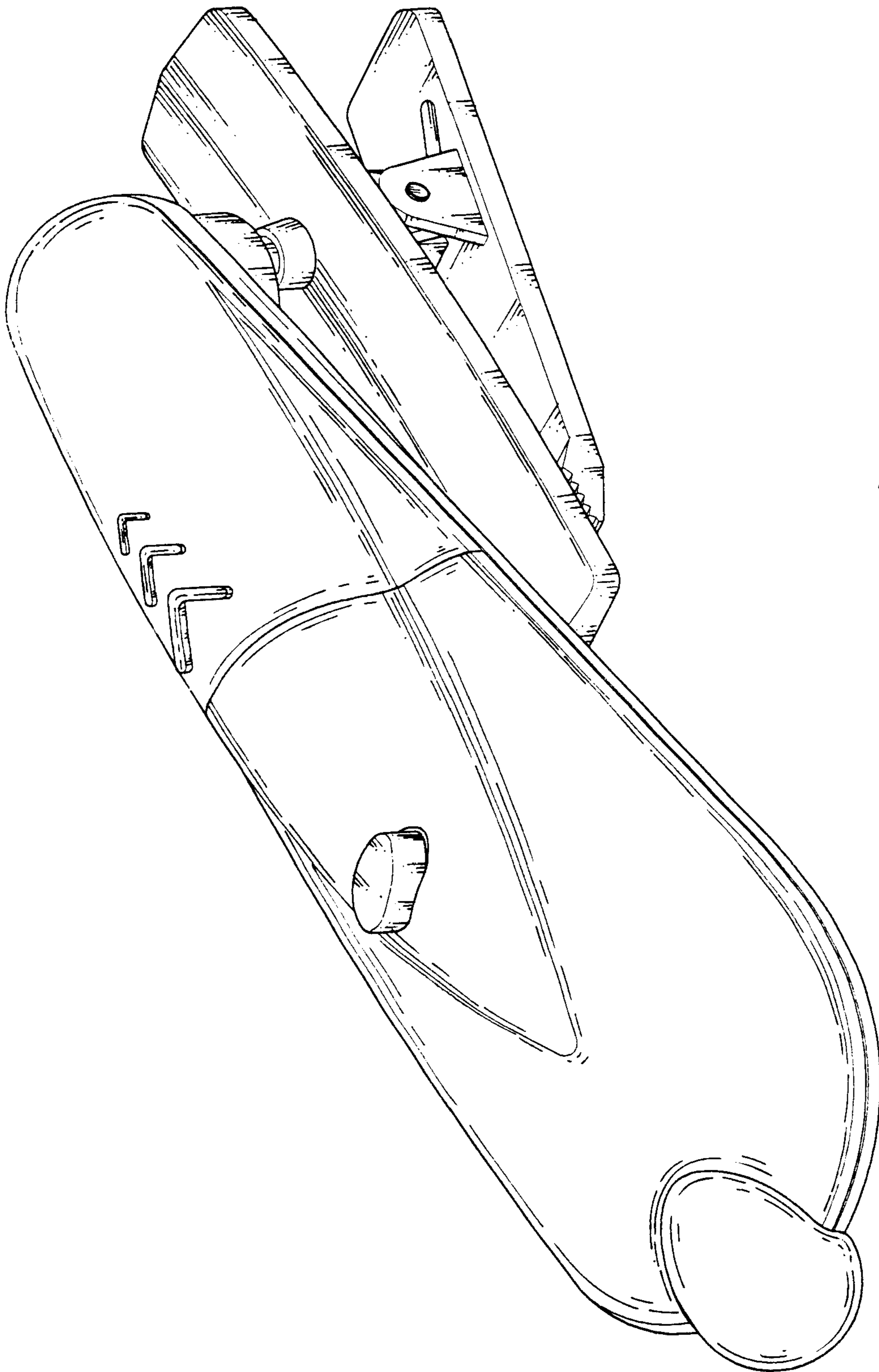


FIG. 1

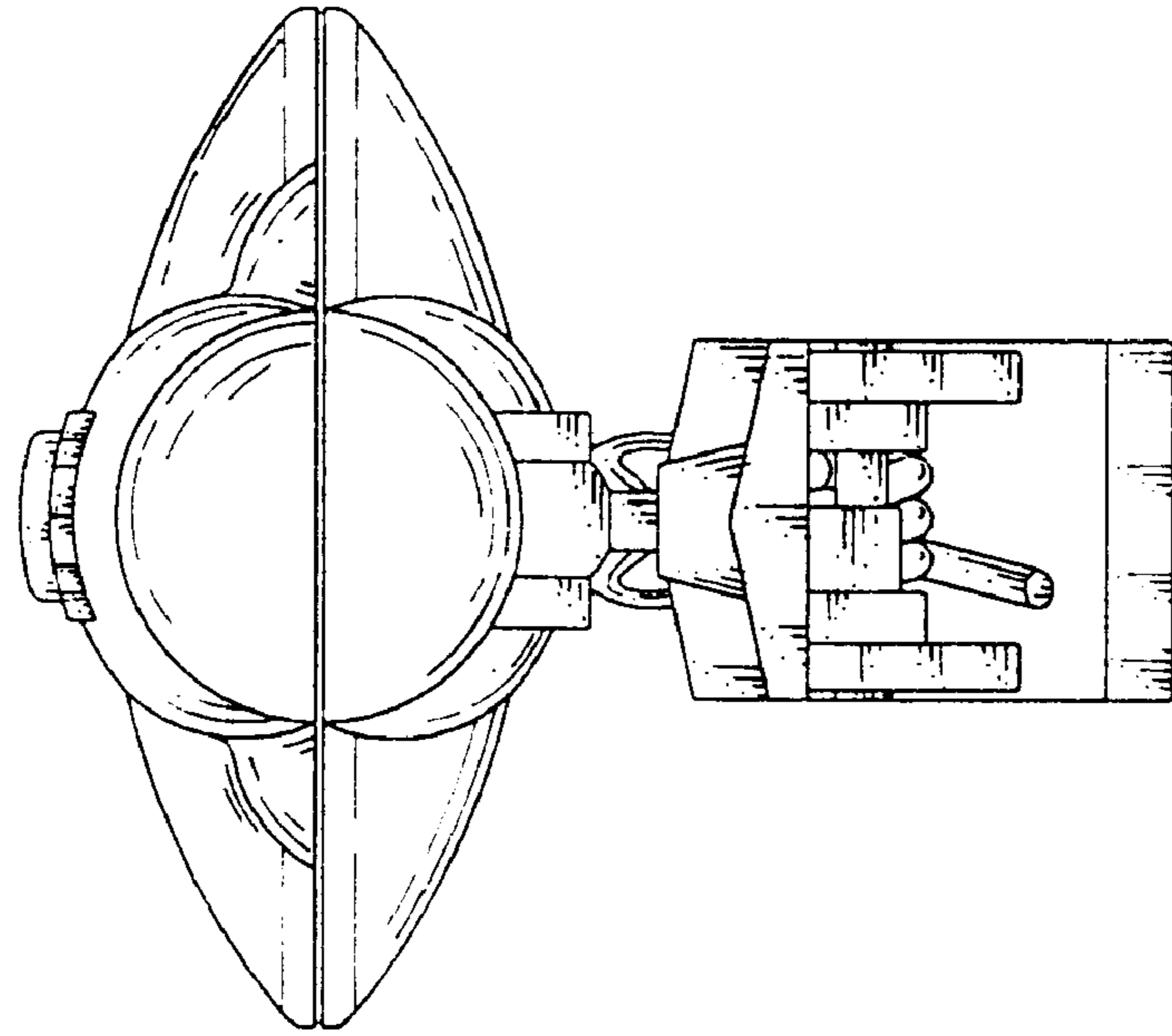


FIG. 2

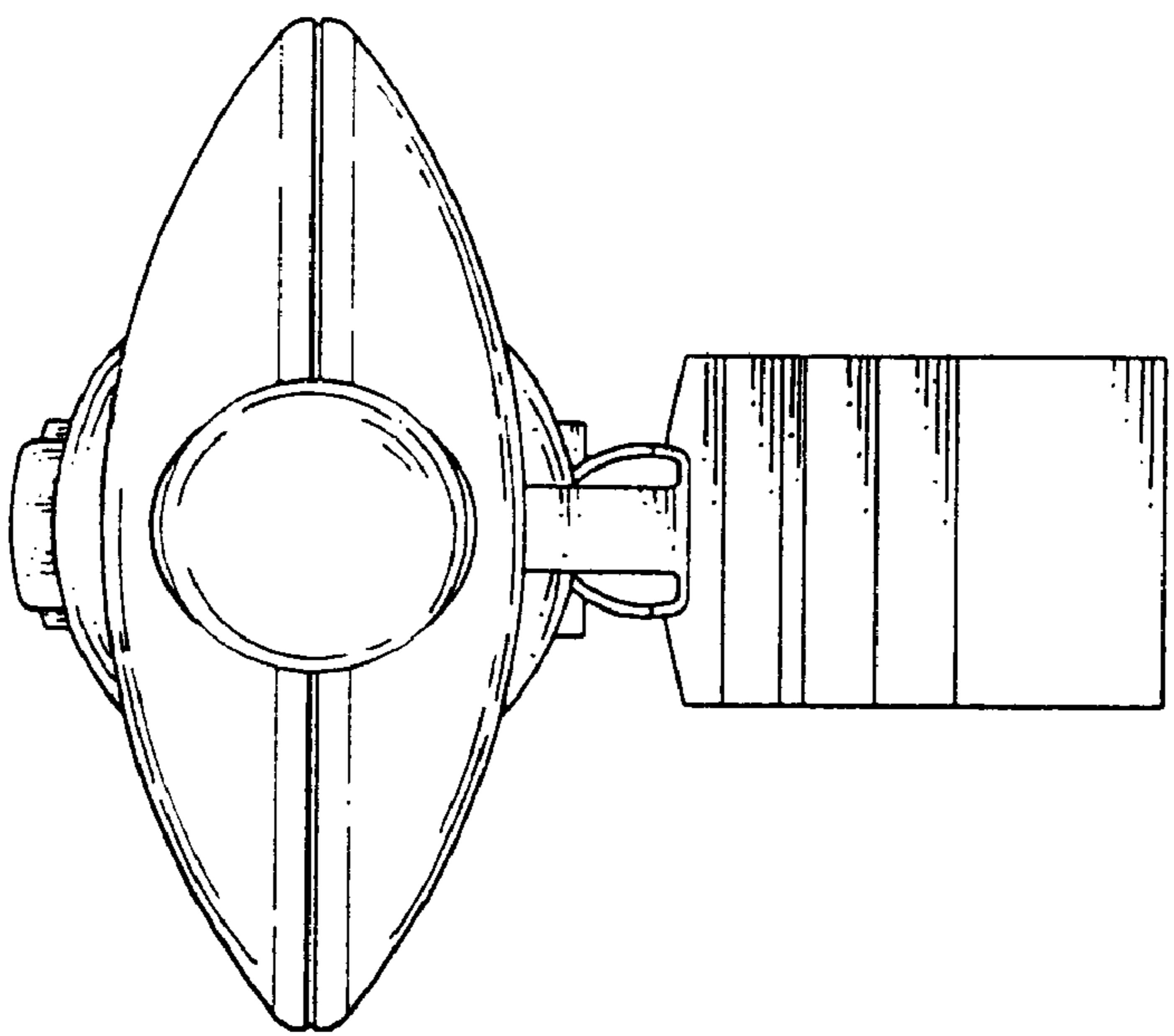


FIG. 3

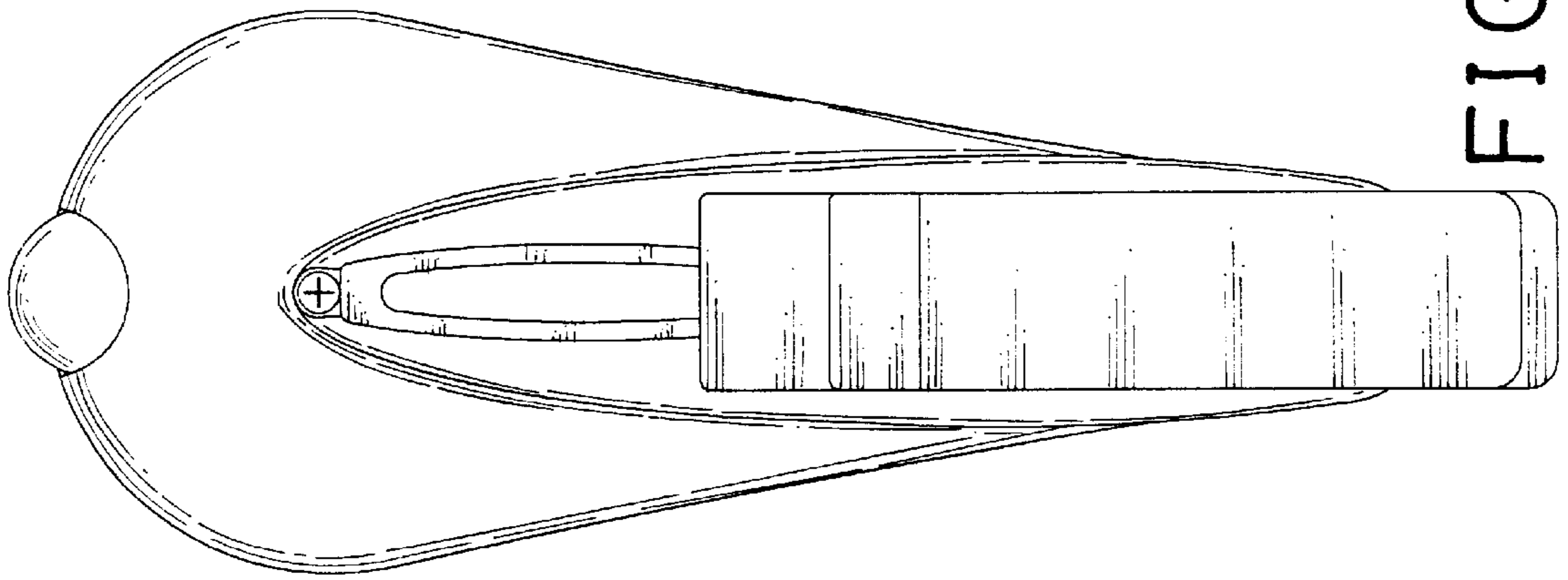


FIG. 5

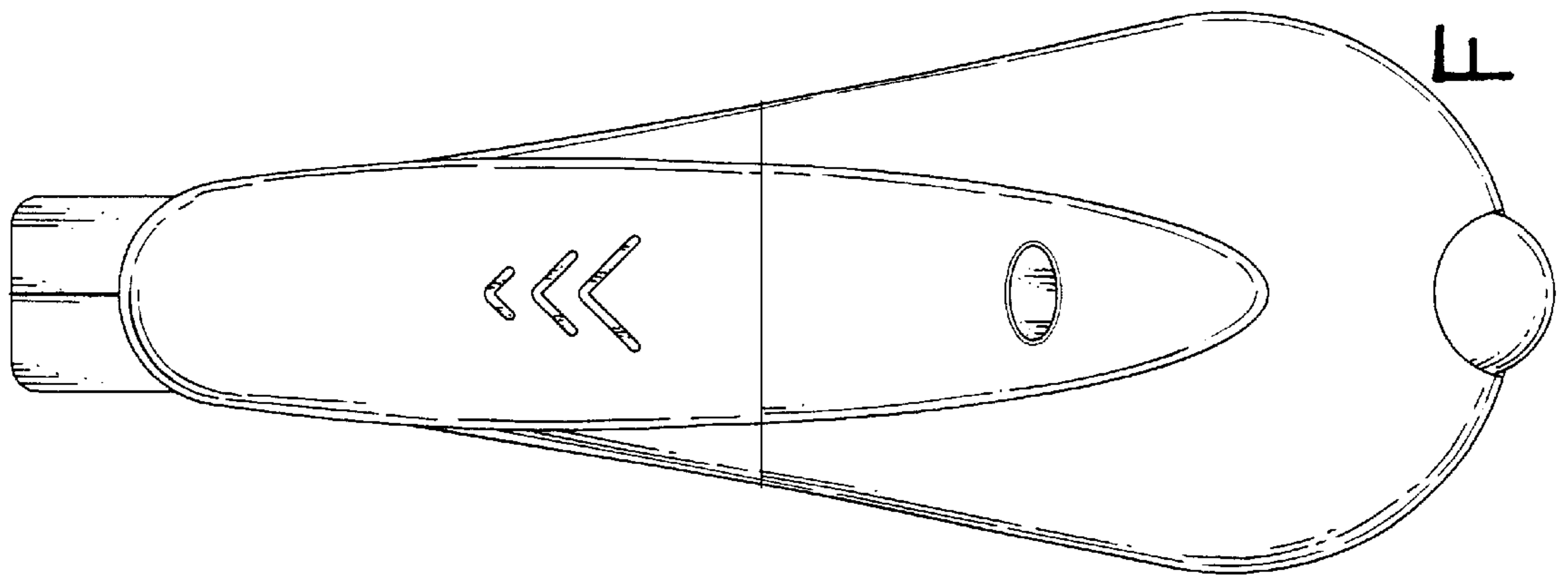


FIG. 4

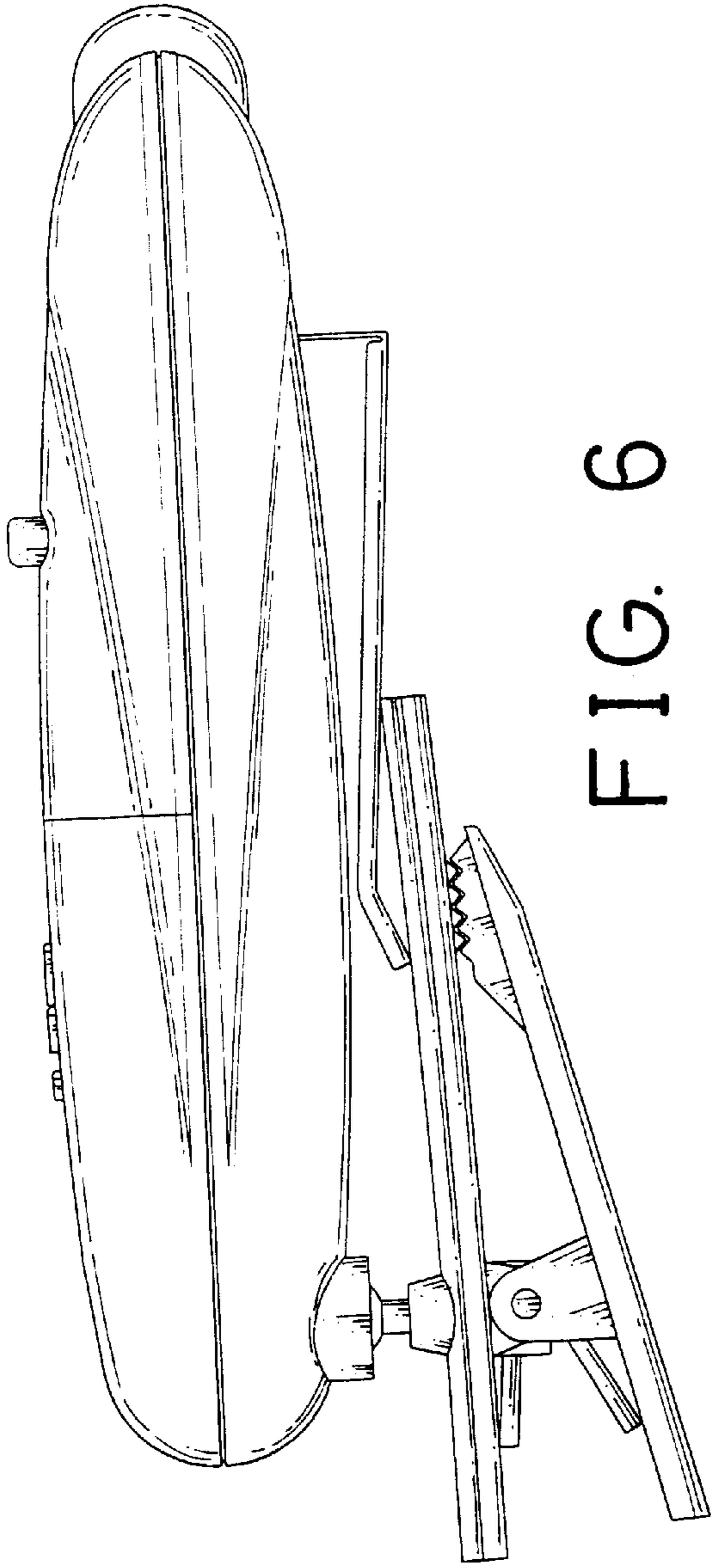


FIG. 6

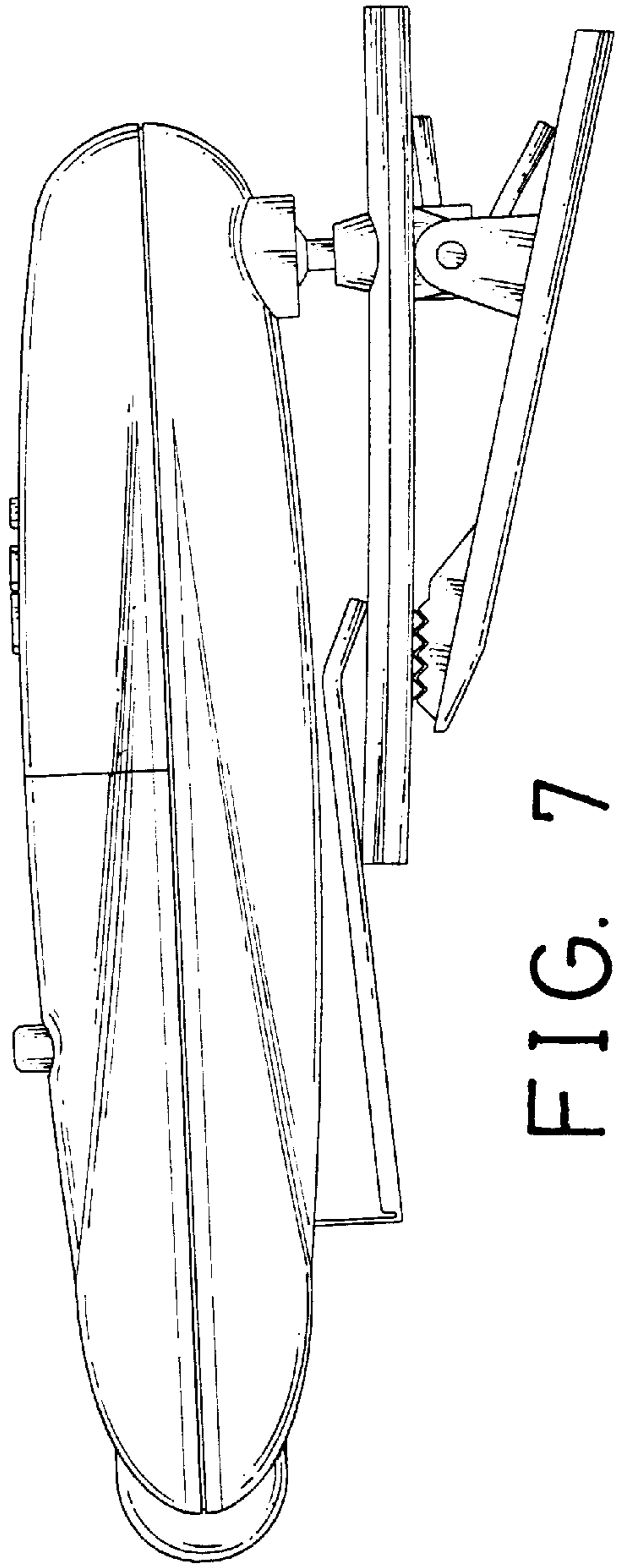


FIG. 7