



US00D472996S

(12) **United States Design Patent**  
**Horowitz**

(10) **Patent No.:** **US D472,996 S**

(45) **Date of Patent:** **\*\* Apr. 8, 2003**

(54) **TAIL LENS ASSEMBLY**

(75) Inventor: **Brian A. Horowitz**, Corona, CA (US)

(73) Assignee: **American Products Company, Inc.**,  
Corona, CA (US)

(\*\*) Term: **14 Years**

(21) Appl. No.: **29/163,376**

(22) Filed: **Jul. 2, 2002**

**Related U.S. Application Data**

(63) Continuation of application No. 29/155,332, filed on Feb. 8, 2002, which is a continuation-in-part of application No. 29/145,570, filed on Jul. 25, 2001.

(51) **LOC (7) Cl.** ..... **26-04**

(52) **U.S. Cl.** ..... **D26/28**

(58) **Field of Search** ..... D26/28-36, 120,  
D26/122; 362/61, 80, 81, 82, 83, 83.4,  
267, 269, 275

(56) **References Cited**

**U.S. PATENT DOCUMENTS**

D382,659 S 8/1997 Kaloustian

(List continued on next page.)

**OTHER PUBLICATIONS**

Advertisement—Stillen Sports Cars from Sport Compact Car, vol. 13, No. 03, Mar. 2001, pp. 58-59.

Three photographs of rear view of Chevy S-10 truck, prior to Jul. 25, 2001.

Three photographs of rear view of Acura Integra automobile, prior to Jul. 25, 2001.

Three photographs of rear view of Dodge Neon automobile, prior to Jul. 25, 2001.

(List continued on next page.)

*Primary Examiner*—Marcus A. Jackson

(74) *Attorney, Agent, or Firm*—Knobbe, Martens, Olson & Bear LLP

(57) **CLAIM**

The ornamental design for a tail lens assembly, as shown and described.

**DESCRIPTION**

FIG. 1 is a front-right perspective view of a preferred embodiment of the tail lens assembly according to the present design;

FIG. 2 is a partially exploded front-right perspective view of the tail lens assembly of FIG. 1, illustrating the cover of the tail lens assembly removed;

FIG. 3 is a front elevational view of the tail lens assembly of FIG. 1;

FIG. 4 is a right-side elevational view of the tail lens assembly of FIG. 1;

FIG. 5 is a top plan view of the tail lens assembly of FIG. 1;

FIG. 6 is a front-right perspective view of the tail lens assembly of FIG. 1, showing the tail lens assembly installed on a vehicle;

FIG. 7 is a front-right perspective view of another preferred embodiment of the tail lens assembly according to the present design;

FIG. 8 is a partially exploded front-right perspective view of the tail lens assembly of FIG. 7, illustrating the cover of the tail lens assembly removed;

FIG. 9 is a front elevational view of the tail lens assembly of FIG. 7;

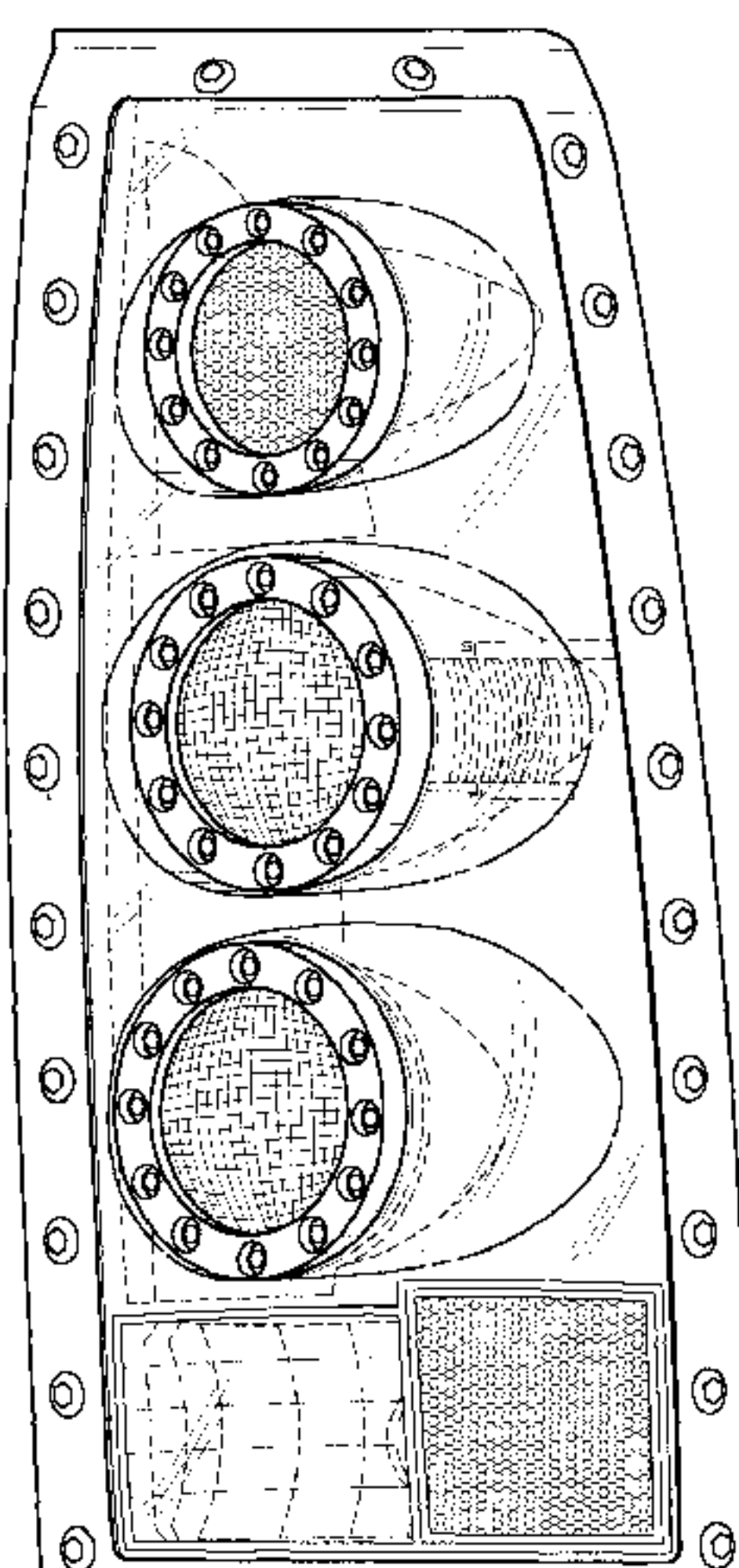
FIG. 10 is a right-side elevational view of the tail lens assembly of FIG. 7;

FIG. 11 is a top plan view of the tail lens assembly of FIG. 7; and,

FIG. 12 is a front-right perspective view of the tail lens assembly of FIG. 7, showing the tail lens assembly installed on a vehicle.

Phantom lining, where used, is for illustrative purposes only and is not intended to limit the claimed design to the features shown in phantom.

**1 Claim, 8 Drawing Sheets**



U.S. PATENT DOCUMENTS

D388,200 S	12/1997	Tomforde et al.	
D388,897 S	1/1998	Tomforde et al.	
D389,256 S	1/1998	Sacco et al.	
D396,310 S	7/1998	Sacco et al.	
D399,983 S	10/1998	Cadotte et al.	
D406,910 S	3/1999	Bangle	
D409,772 S	5/1999	Bangle	
D412,214 S	7/1999	Hejtmanek	
D412,587 S	8/1999	Bangle	
D413,400 S	8/1999	Bangle	
D414,571 S	9/1999	Schneider et al.	
D416,638 S	11/1999	Horbury et al.	
D427,363 S	6/2000	Sacco et al.	
D429,353 S	8/2000	Pfeiffer	
D439,995 S	4/2001	Nakazawa et al.	
D440,331 S	4/2001	Nakazawa et al.	
6,243,008 B1	6/2001	Korabiak	
D448,869 S	10/2001	Horowitz	
D449,898 S	* 10/2001	Horowitz .....	D26/28
6,296,382 B1	10/2001	Hamelbeck	
D456,919 S	* 5/2002	Horowitz .....	D26/28

OTHER PUBLICATIONS

Three photographs of rear view of Honda Accord automobile, prior to Jul. 25, 2001.

Three photographs of rear view of Honda Civic automobile, prior to Jul. 25, 2001.

Three photographs of rear view of Chevrolet C/K truck, prior to Jul. 25, 2001.

American Products Company 2001 Catalog, pp. 10–13, published Oct. 10, 2000.

Promotional material from Sigma Polyurethane International, prior to Jul. 25, 2001.

Toucan Industries, Inc. 2001 Catalog, p. 25, prior to Oct. 30, 2000.

Hiper Industries 2002 Catalog, p. 4 (prior to Jan. 1, 2002).

in.pro.carwear Catalog, p. 16 (prior to Jan. 1, 2002).

Legaparts Brochure, p. 4 (prior to Jan. 1, 2002).

Macro Automotive Products Brochure (prior to Jan. 1, 2002).

Matrix GR Motorsports 2002 Catalog, pp. 15 & 17 (prior to Jan. 1, 2002).

Toucan Industries 2001–2002 Catalog, p. 27 (prior to Jan. 1, 2002).

Z2000 Brochure, p. 4 (prior to Jan. 1, 2002).

CaliforniaStylin.com ad from Mini Trucking, Nov. 2001.

\* cited by examiner

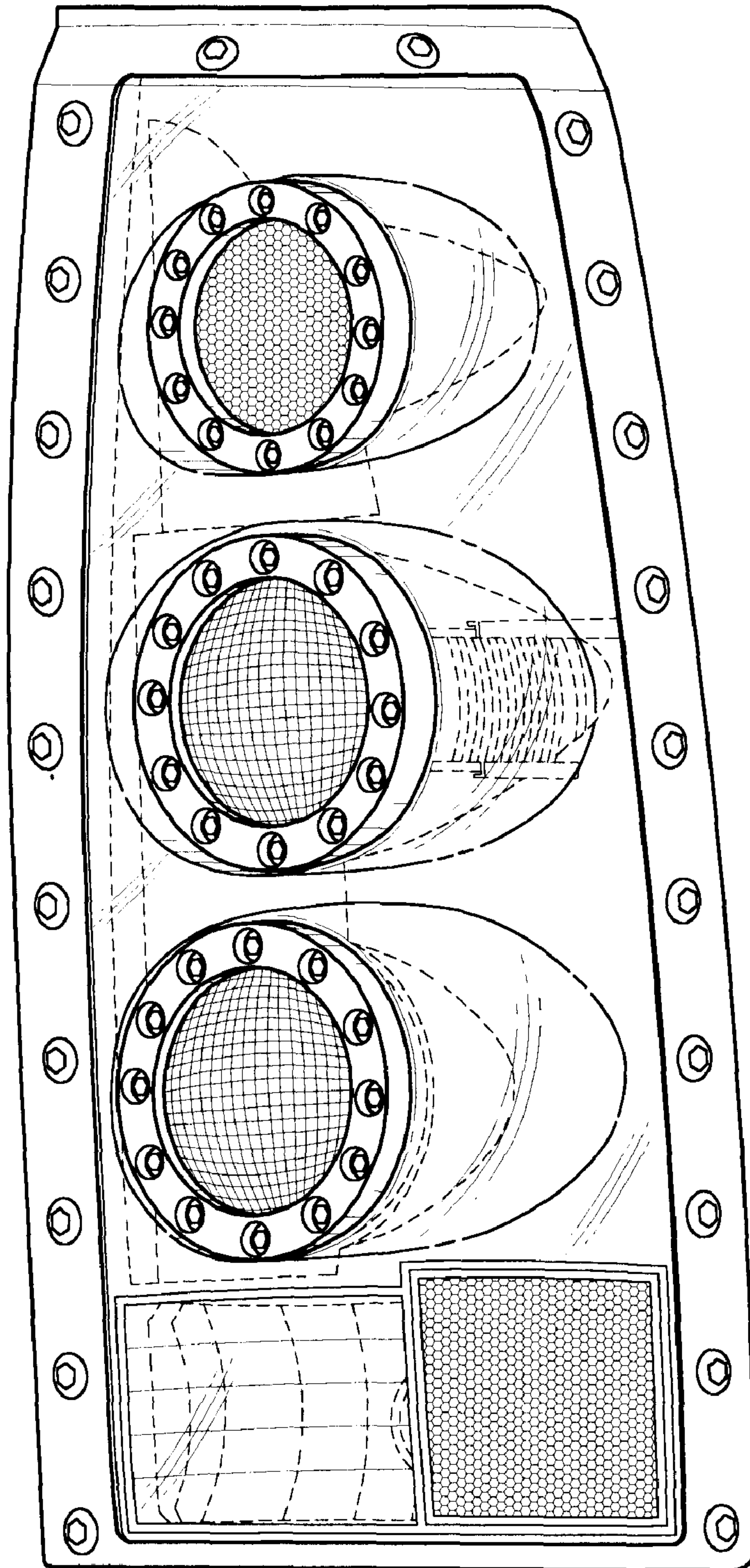


FIG. 1



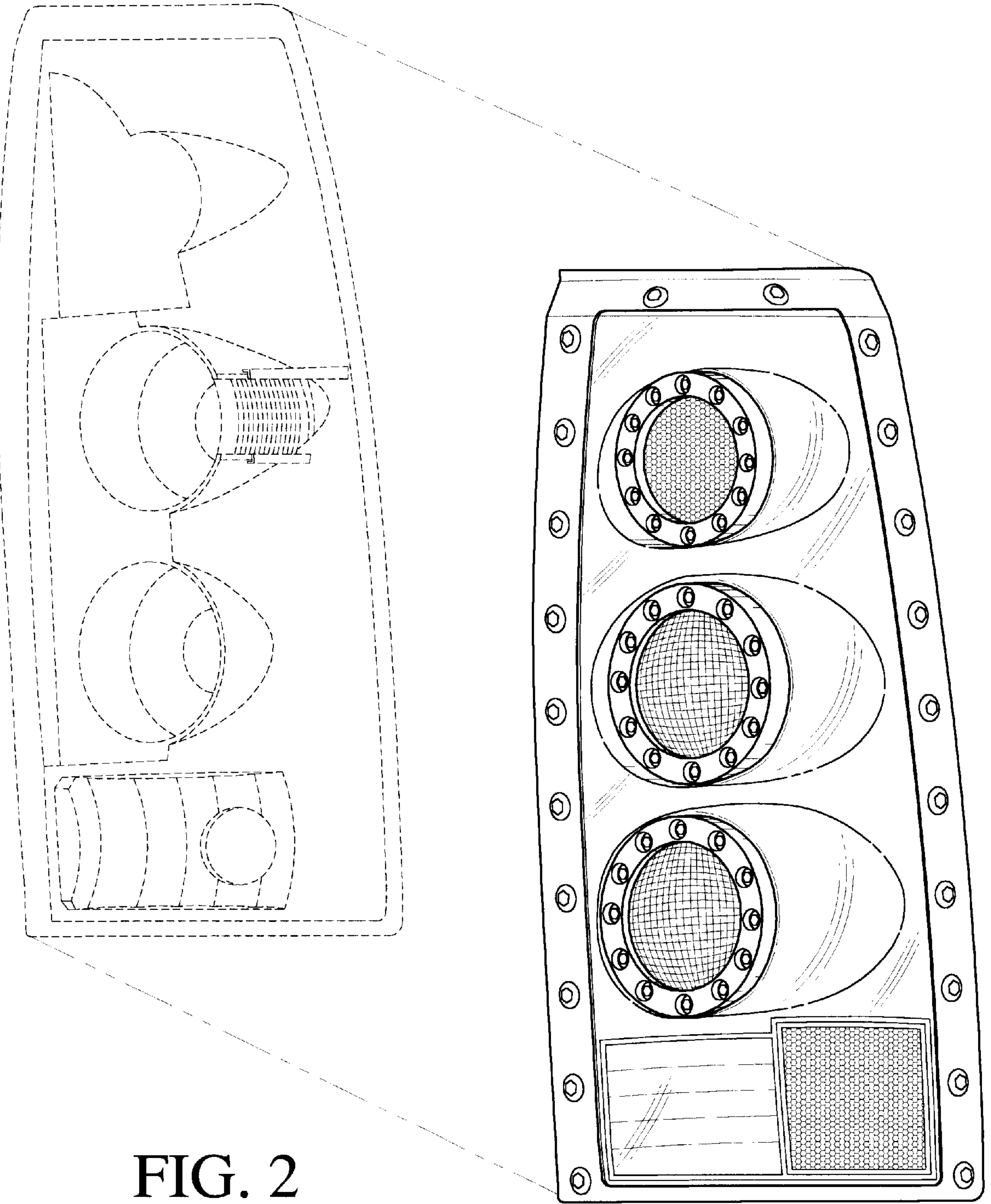


FIG. 2

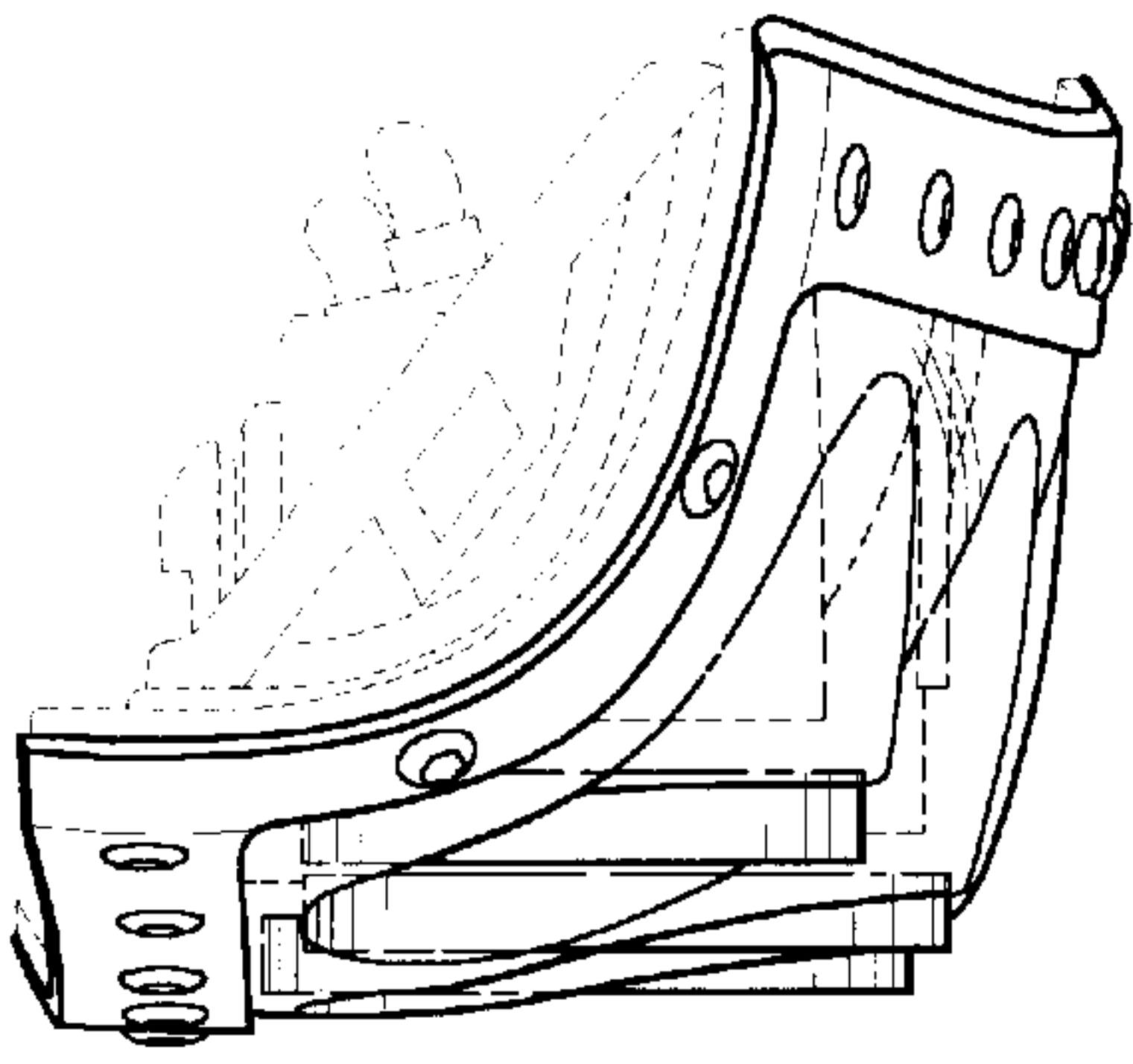


FIG. 5

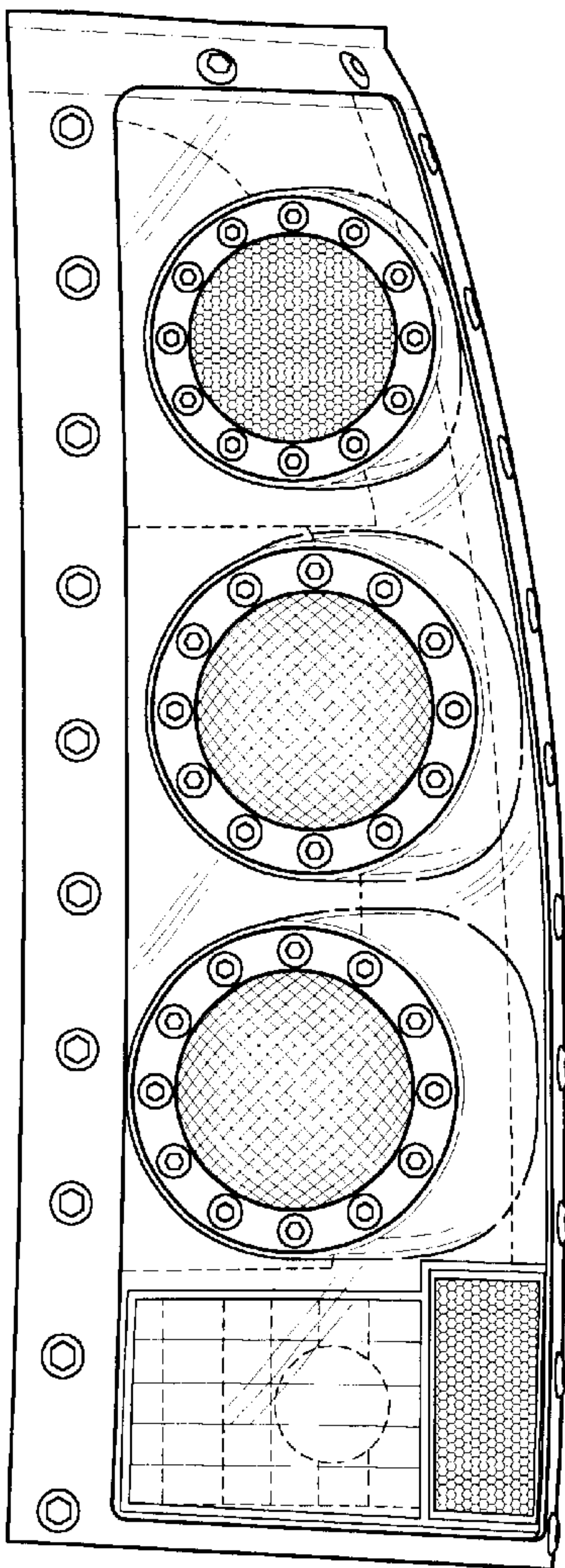


FIG. 3

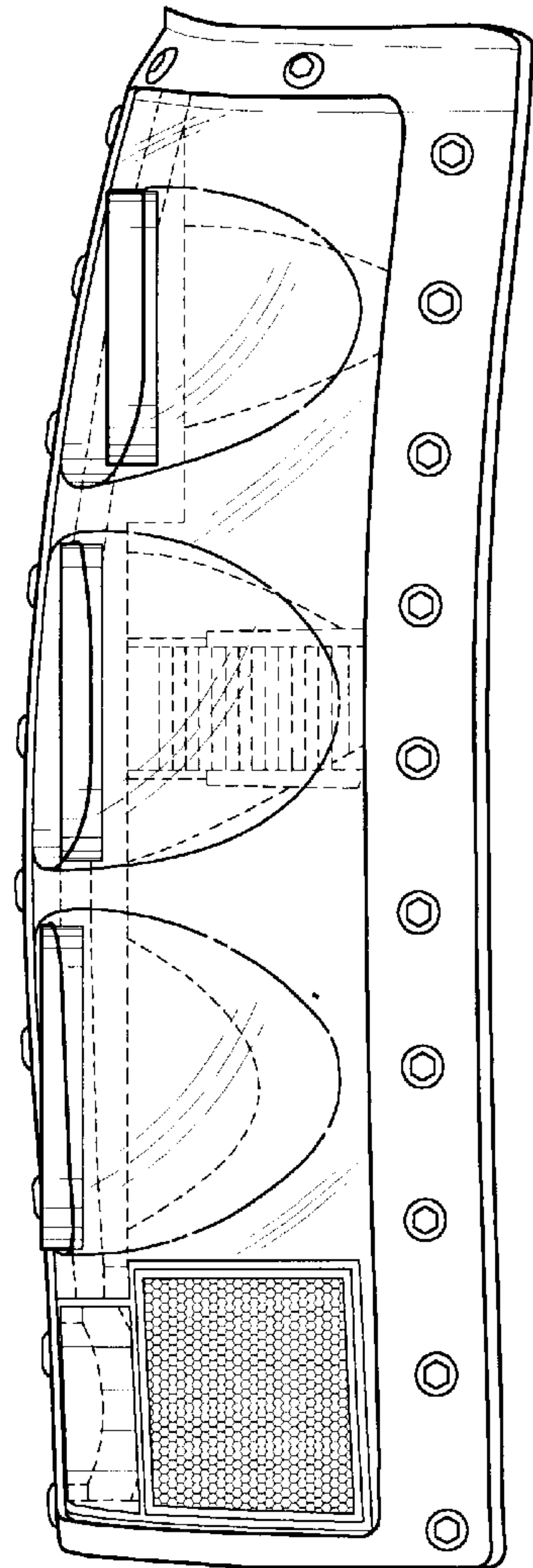


FIG. 4

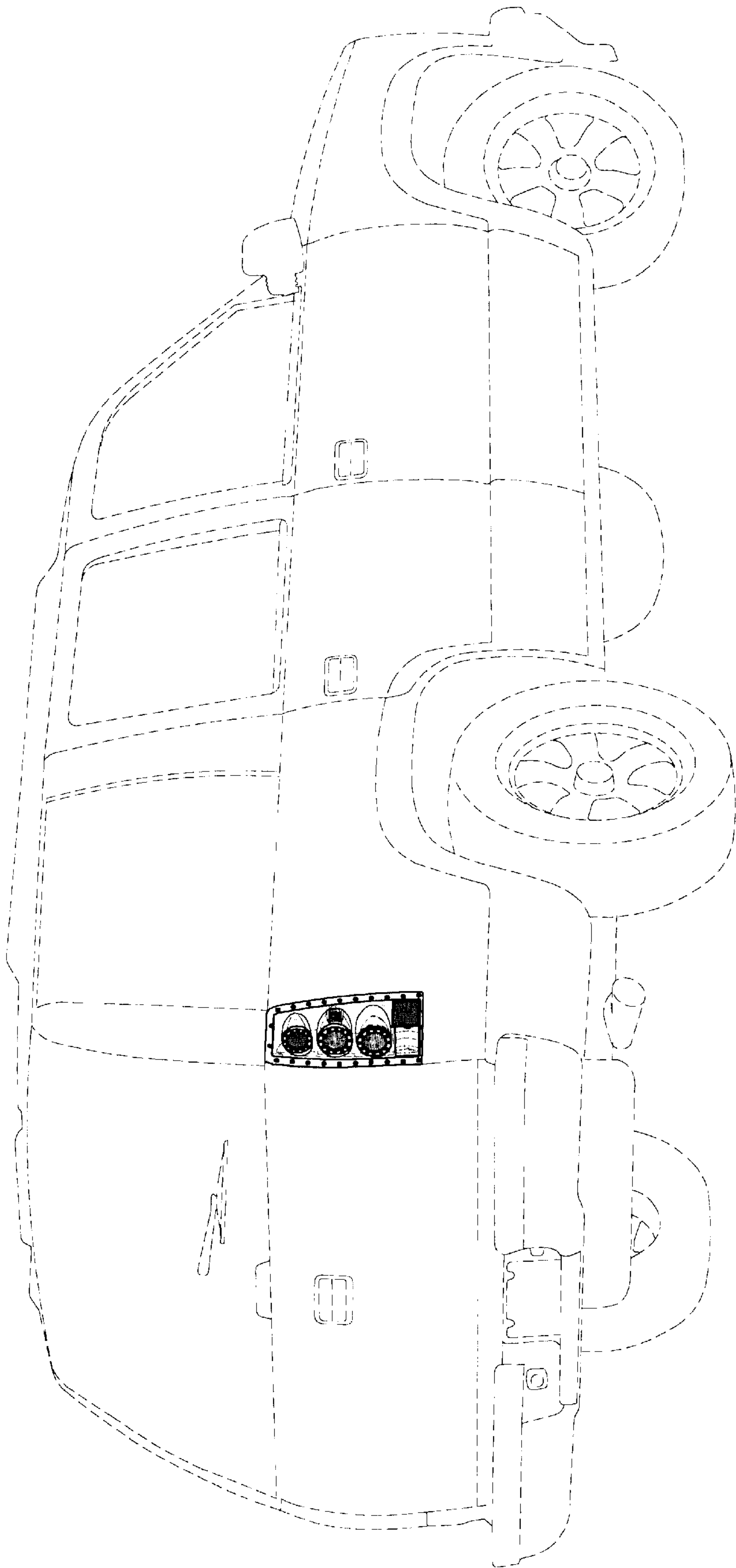


FIG. 6



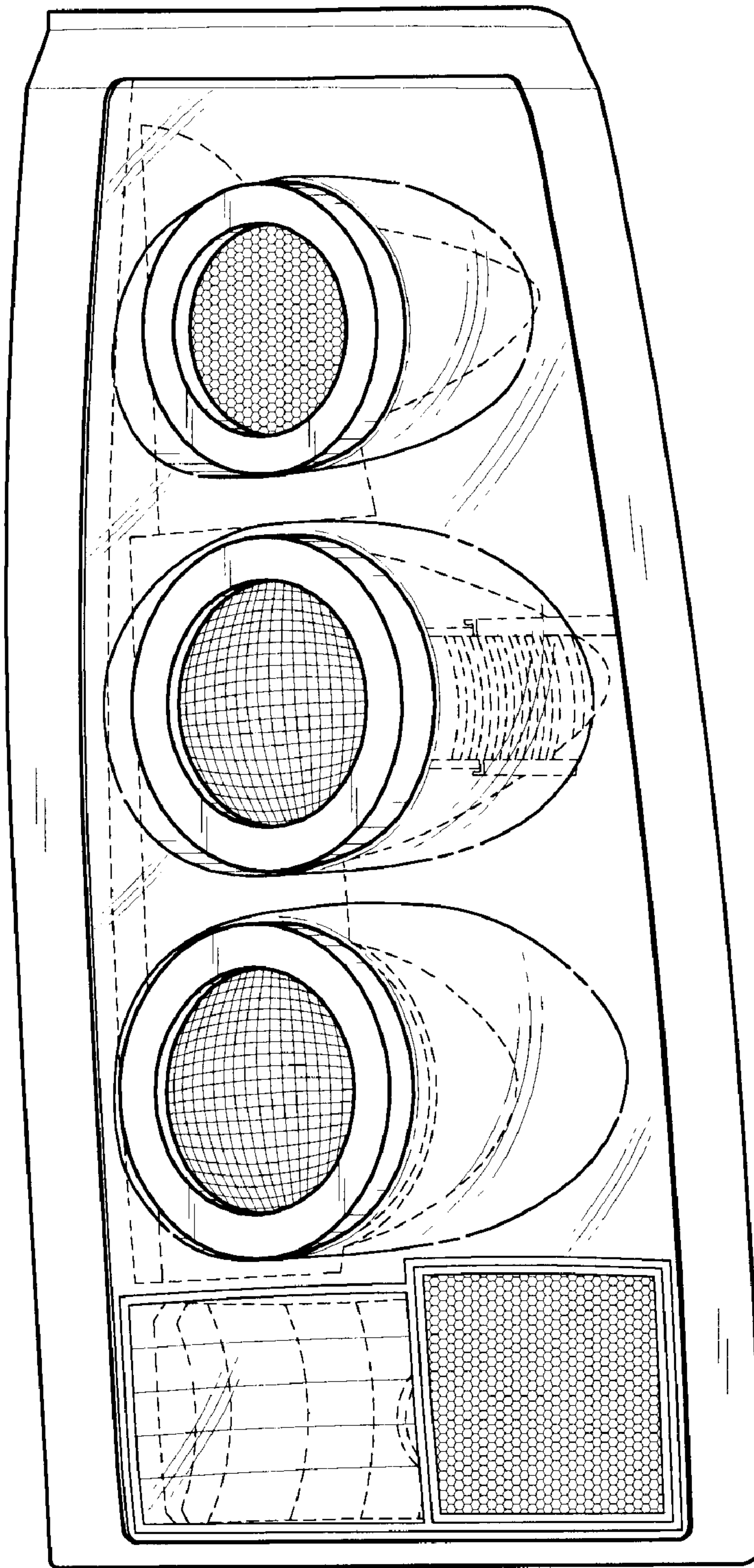


FIG. 7

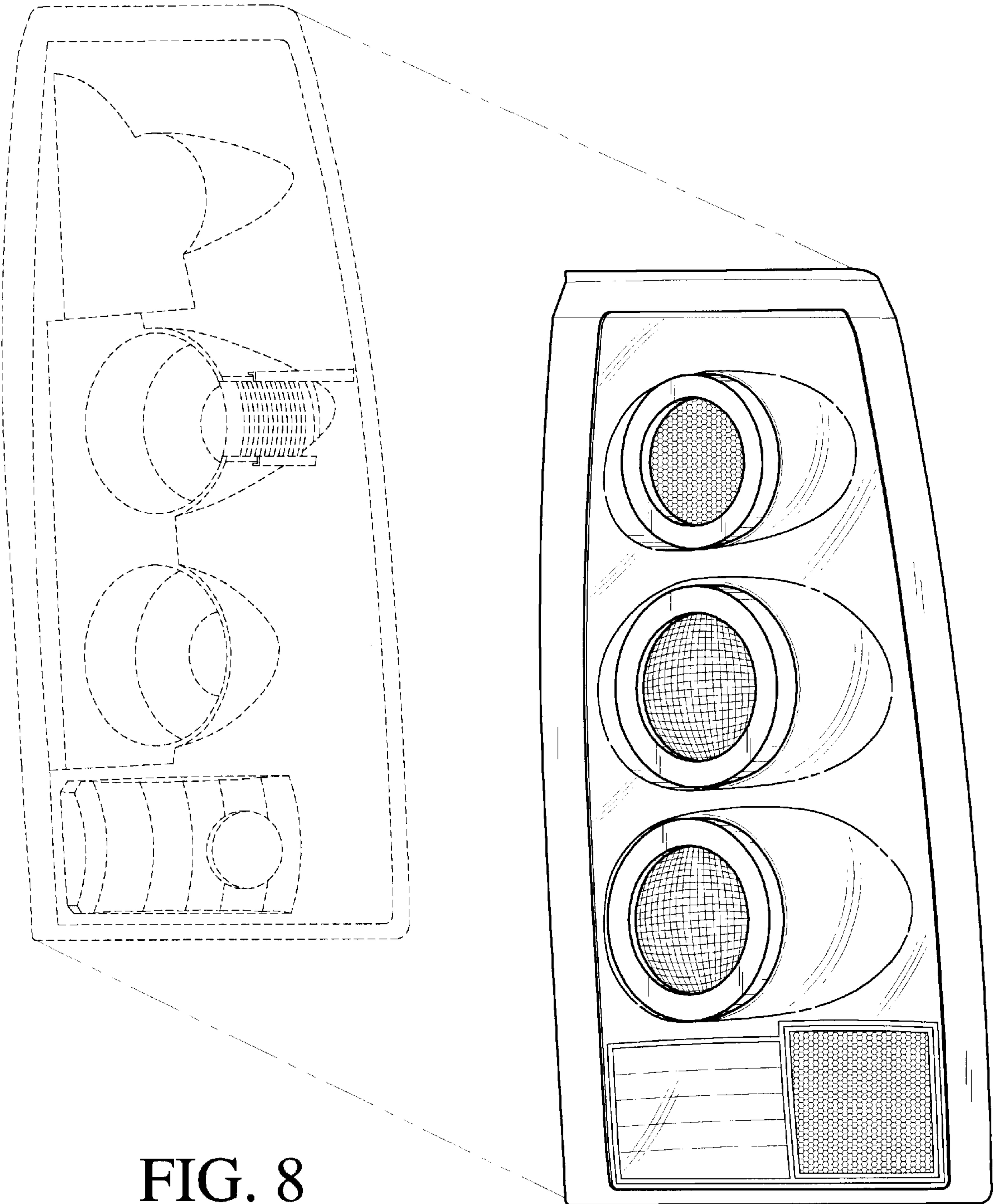


FIG. 8



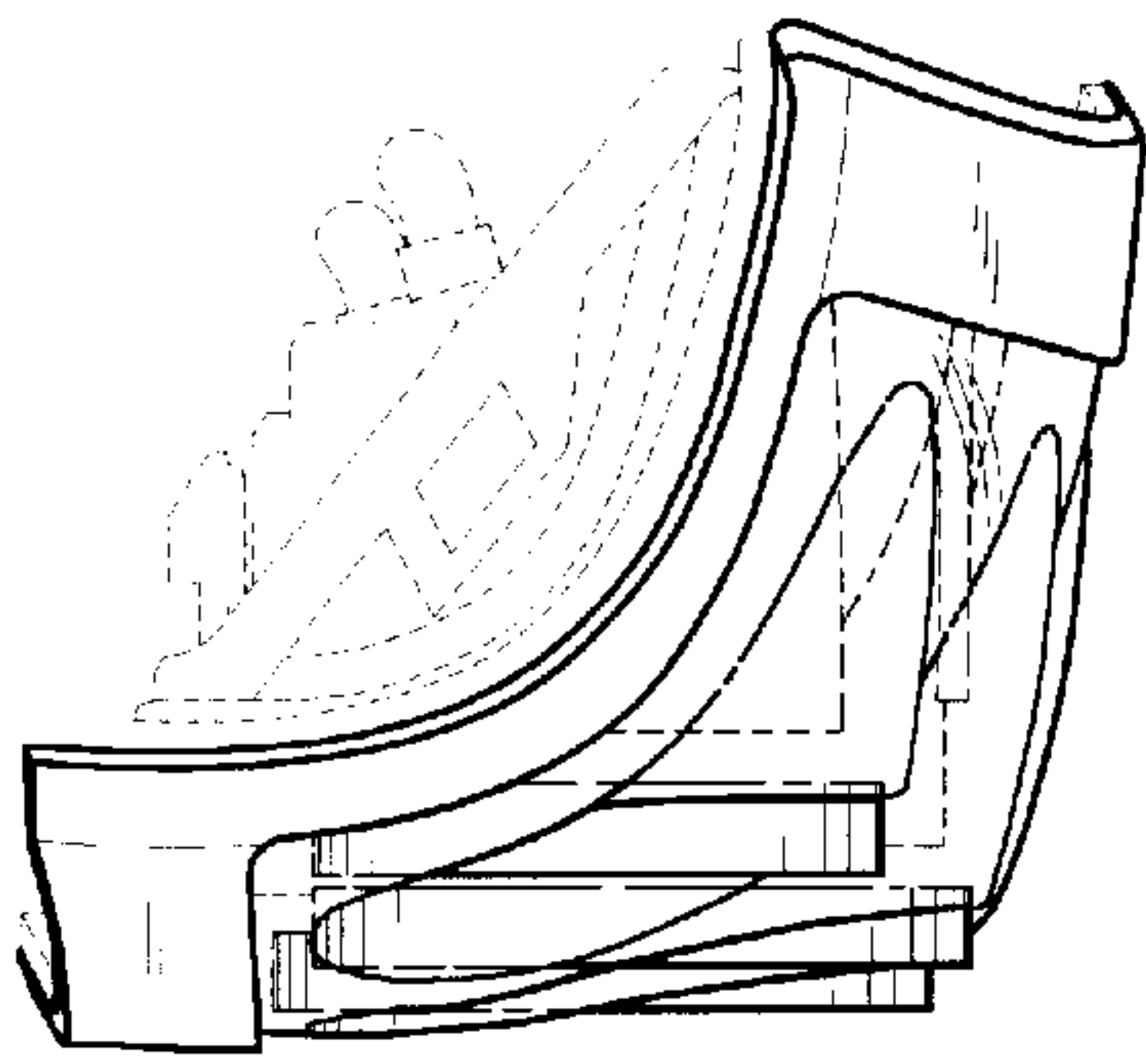


FIG. 11

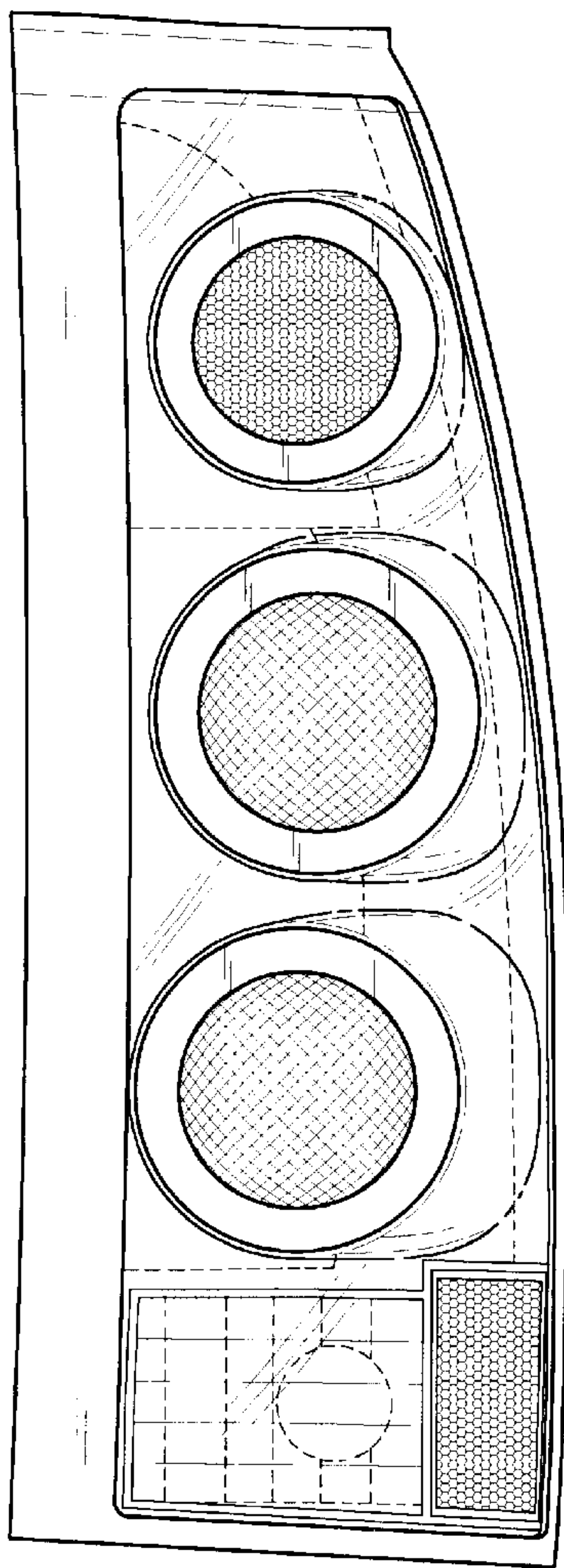


FIG. 9

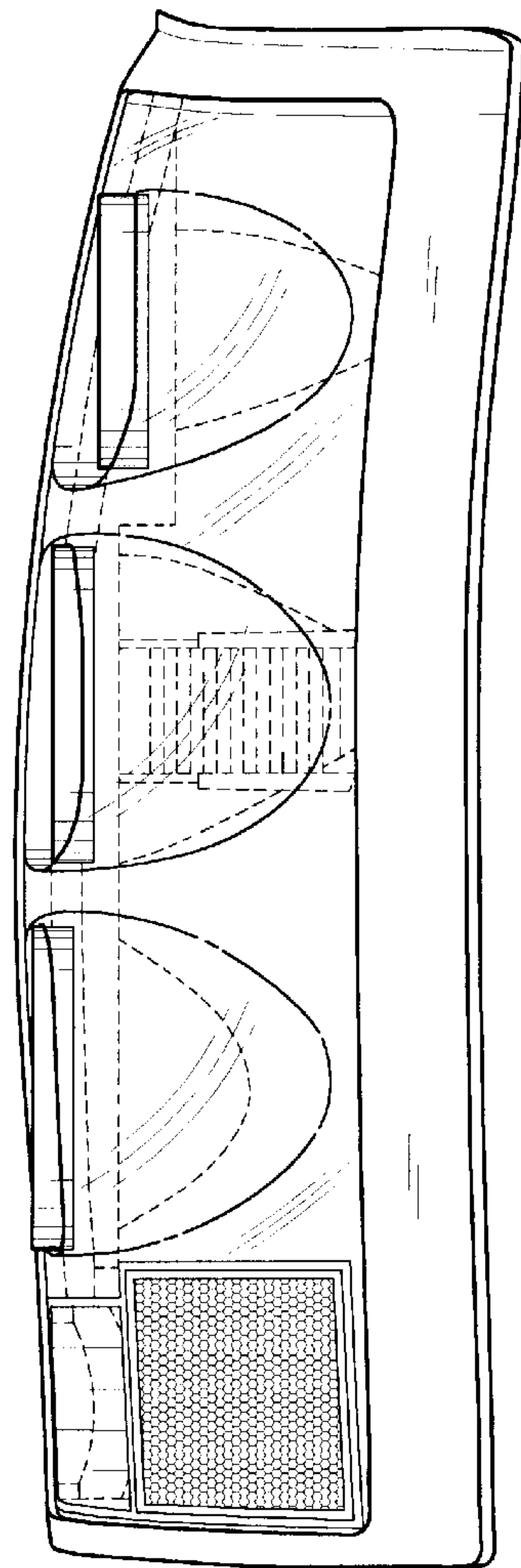


FIG. 10

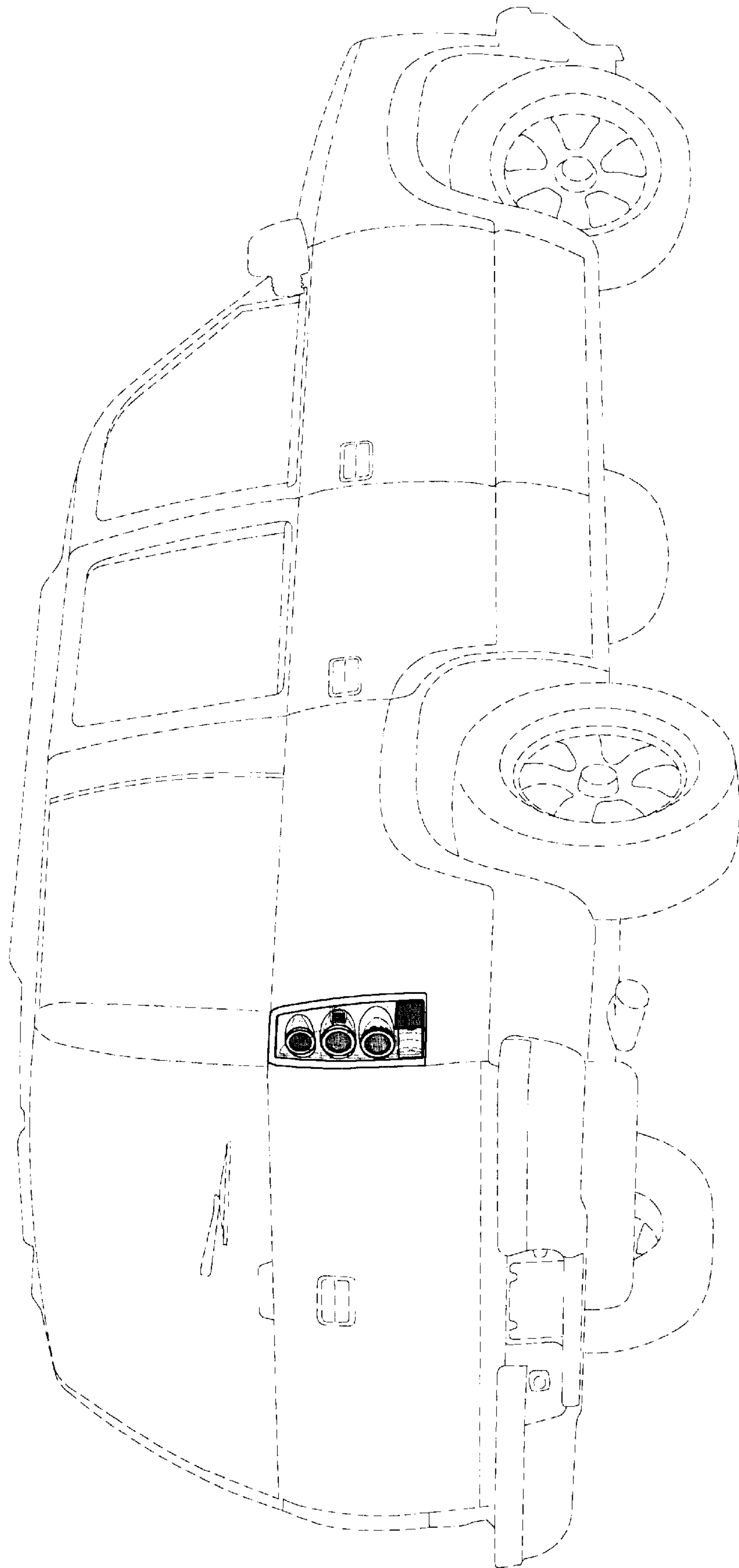


FIG. 12