



US00D472984S

(12) **United States Design Patent**
Foster

(10) **Patent No.:** **US D472,984 S**

(45) **Date of Patent:** **** Apr. 8, 2003**

(54) **INTERCONNECTABLE LANDSCAPE EDGING MODULE**

(76) **Inventor:** **John R. Foster**, 51 Paynes La.,
Stafford, VA (US) 22554

(**) **Term:** **14 Years**

(21) **Appl. No.:** **29/156,264**

(22) **Filed:** **Feb. 27, 2002**

Related U.S. Application Data

(62) Division of application No. 29/136,647, filed on Feb. 6, 2001, now Pat. No. Des. 455,504.

(51) **LOC (7) Cl.** **25-01**

(52) **U.S. Cl.** **D25/164**

(58) **Field of Search** D25/164; 47/33,
47/47; 52/102

(56) **References Cited**

U.S. PATENT DOCUMENTS

4,831,776 A	5/1989	Fritch	
4,934,093 A	6/1990	Yanna	
4,976,063 A	12/1990	Young	
D319,560 S	9/1991	Perry	
5,092,076 A	3/1992	Terreta	
5,134,817 A	8/1992	Richardt	
5,157,867 A	10/1992	Fritch	
D344,810 S	* 3/1994	Nelson D25/164
5,377,447 A	1/1995	Fritch	

5,379,546 A	1/1995	Popp
5,438,804 A	8/1995	Reum et al.
5,640,801 A	6/1997	Rynberk
D402,380 S	12/1998	Komoroski
5,930,947 A	8/1999	Eckhoff

* cited by examiner

Primary Examiner—Doris Clark

(74) *Attorney, Agent, or Firm*—Dinesh Agarwal, P.C.

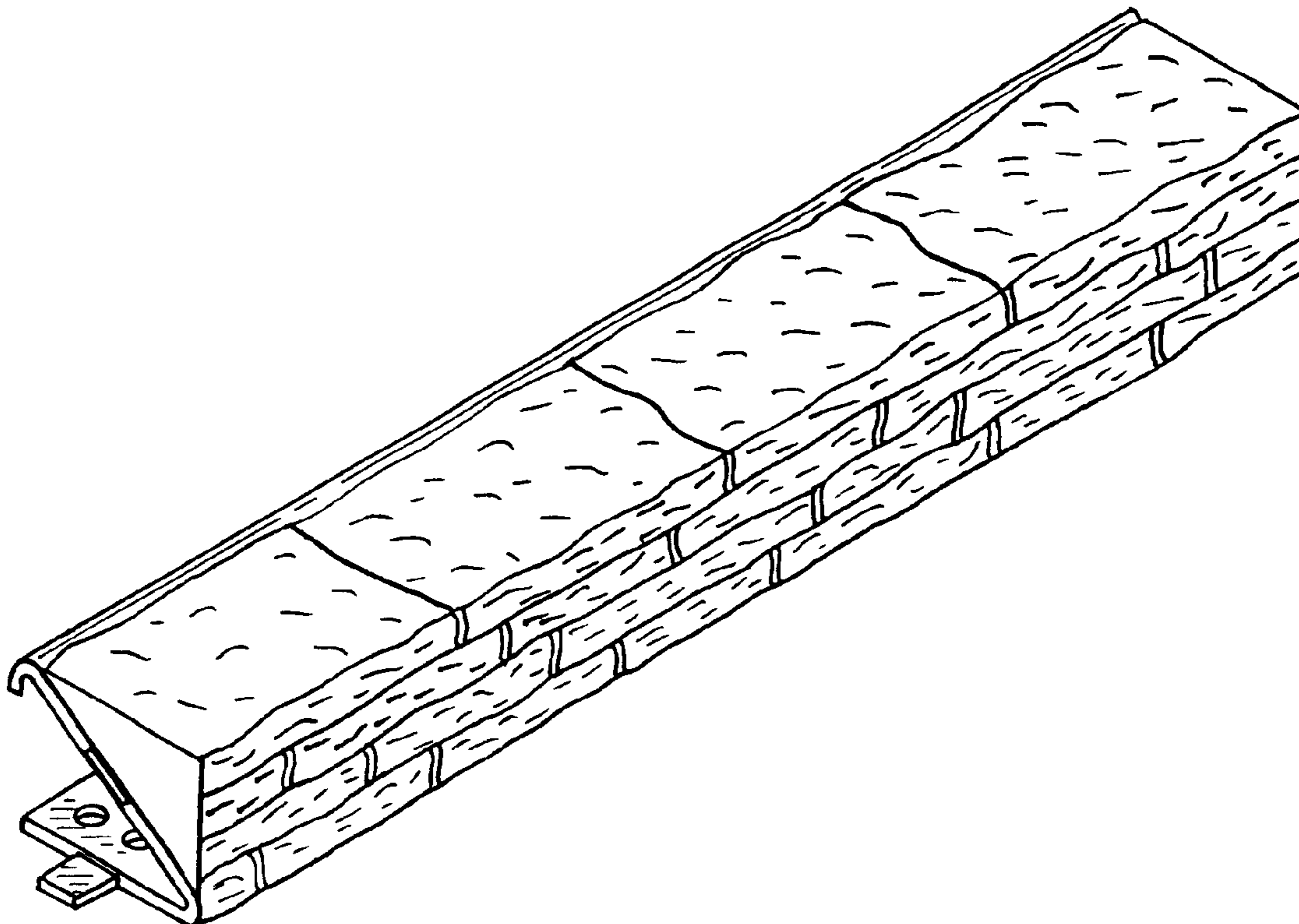
(57) **CLAIM**

The ornamental design for an interconnectable landscape edging module, as shown and described.

DESCRIPTION

FIG. 1 is a top perspective view of an interconnectable landscape edging module of the present invention;
 FIG. 2 is a right side view of the interconnectable landscape edging module of FIG. 1;
 FIG. 3 is a left side view of the interconnectable landscape edging module of FIG. 1;
 FIG. 4 is a front elevational view of the interconnectable landscape edging module of FIG. 1;
 FIG. 5 is a rear elevational view of the interconnectable landscape edging module of FIG. 1;
 FIG. 6 is a top plan view of the interconnectable landscape edging module of FIG. 1; and,
 FIG. 7 is a bottom plan view of the interconnectable landscape edging module of FIG. 1.

1 Claim, 1 Drawing Sheet



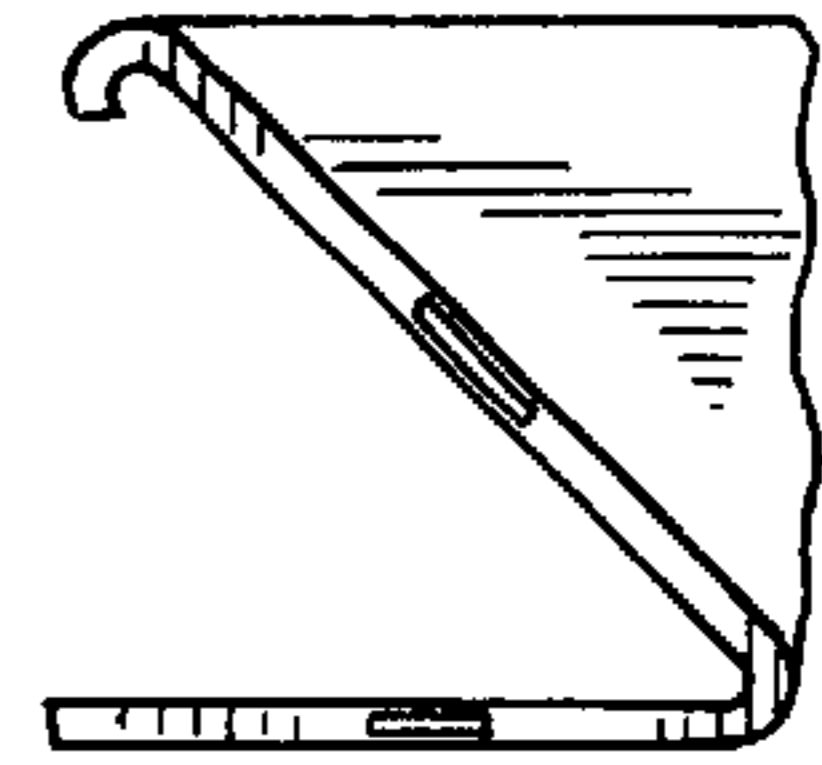
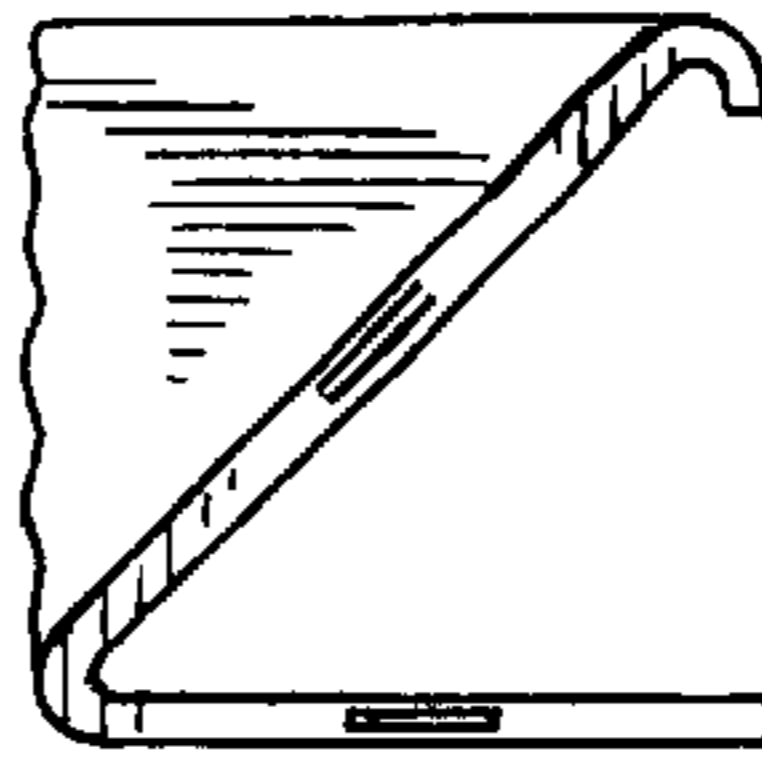
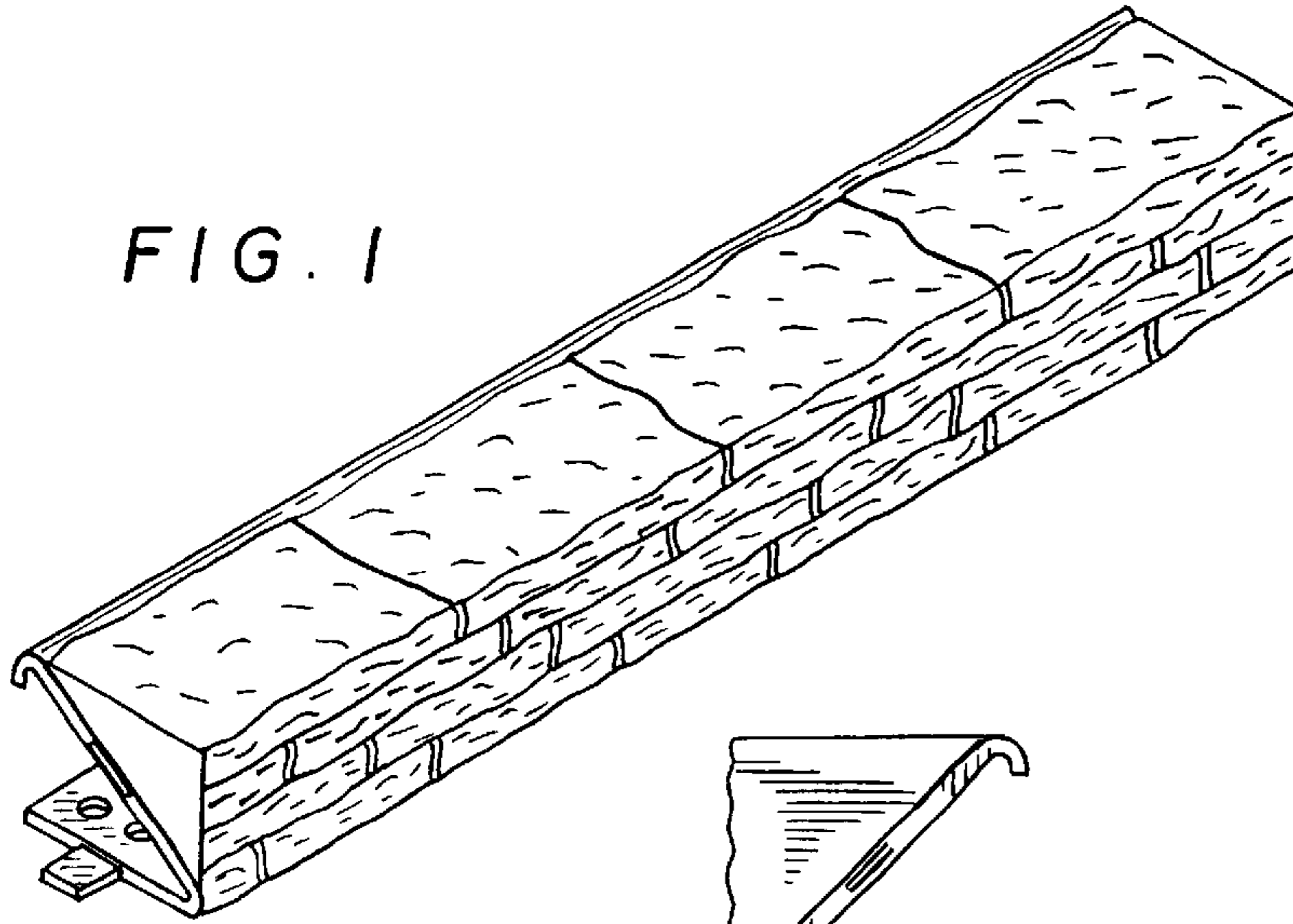


FIG. 4

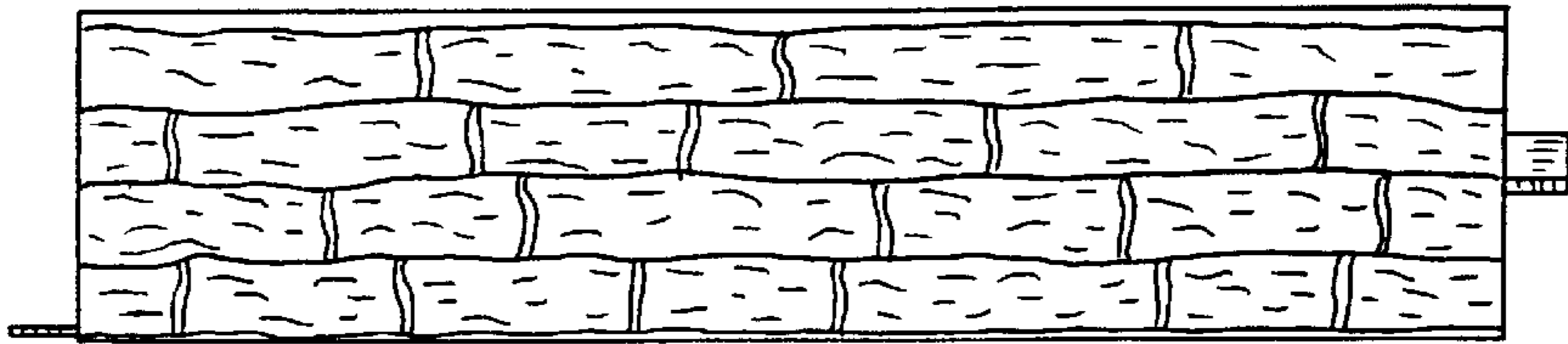


FIG. 5

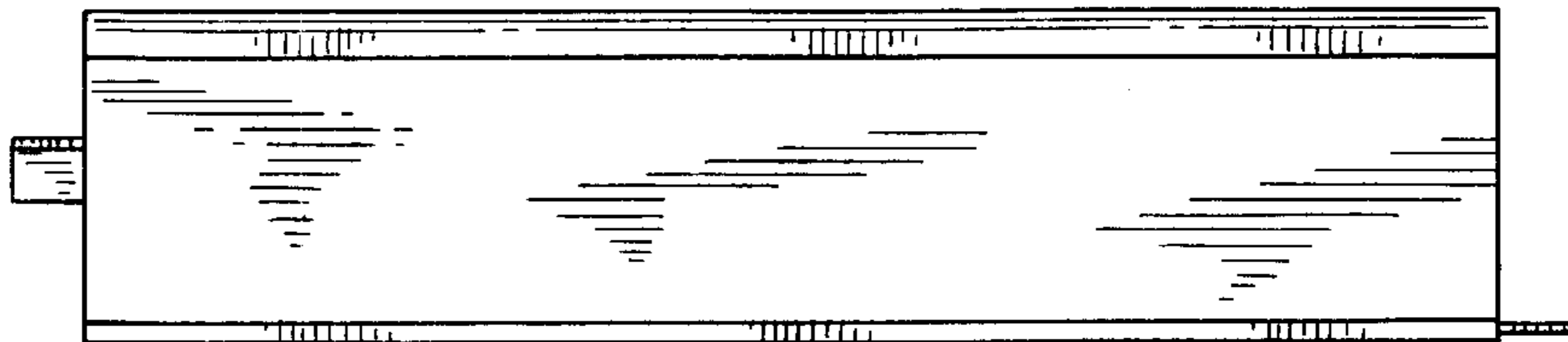


FIG. 6

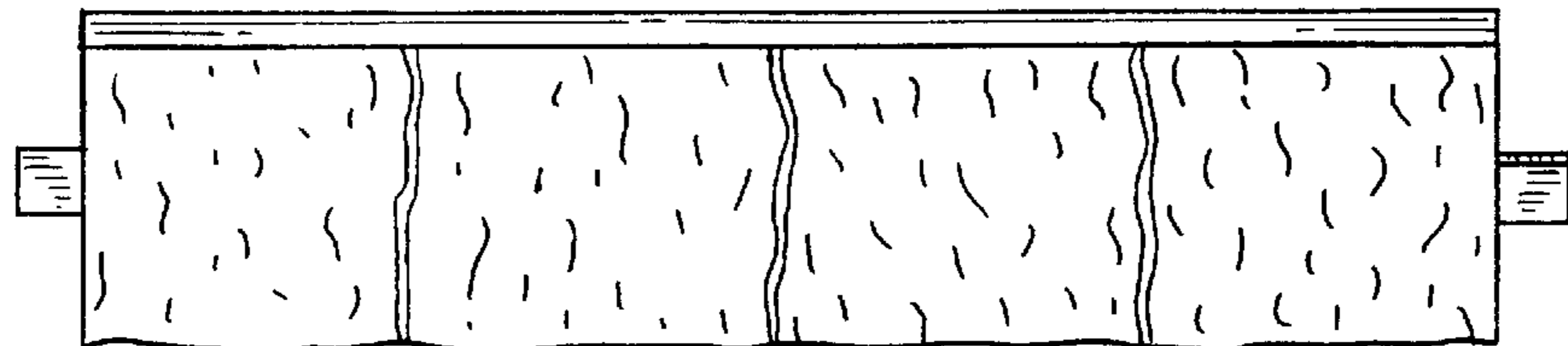


FIG. 7

