



US00D472978S

(12) **United States Design Patent**
Oakley

(10) **Patent No.:** **US D472,978 S**

(45) **Date of Patent:** **** Apr. 8, 2003**

(54) **WINDOW WELL SYSTEM**

(57) **CLAIM**

(76) Inventor: **Brett Oakley**, 6866 Chrisman La.,
Middletown, OH (US) 45042

The ornamental design for a window well system, as shown
and described.

(**) Term: **14 Years**

DESCRIPTION

(21) Appl. No.: **29/166,249**

FIG. 1 is a perspective view of the window well member of
the window well system in FIGS. 8 through 14;
FIG. 2 is a top plan view thereof;
FIG. 3 is a bottom plan view thereof;
FIG. 4 is a front side elevational view thereof;
FIG. 5 is a rear side elevational view thereof;
FIG. 6 is a left side elevational view thereof;
FIG. 7 is a right side elevational view thereof;
FIG. 8 is a perspective view of a window well system;
FIG. 9 is a top plan view thereof;
FIG. 10 is a bottom plan view thereof;
FIG. 11 is a front side elevational view thereof;
FIG. 12 is a rear side elevational view thereof;
FIG. 13 is a left side elevational view thereof; and,
FIG. 14 is a right side elevational view thereof.

(22) Filed: **Aug. 23, 2002**

(51) **LOC (7) Cl.** **25-02**

(52) **U.S. Cl.** **D25/54**

(58) **Field of Search** 52/107; D25/54

(56) **References Cited**

U.S. PATENT DOCUMENTS

4,896,467 A * 1/1990 McGinnis 52/107
D425,207 S * 5/2000 Sharpe et al. D25/54

* cited by examiner

Primary Examiner—Doris Clark

(74) *Attorney, Agent, or Firm*—Wegman, Hessler &
Vanderburg

1 Claim, 8 Drawing Sheets

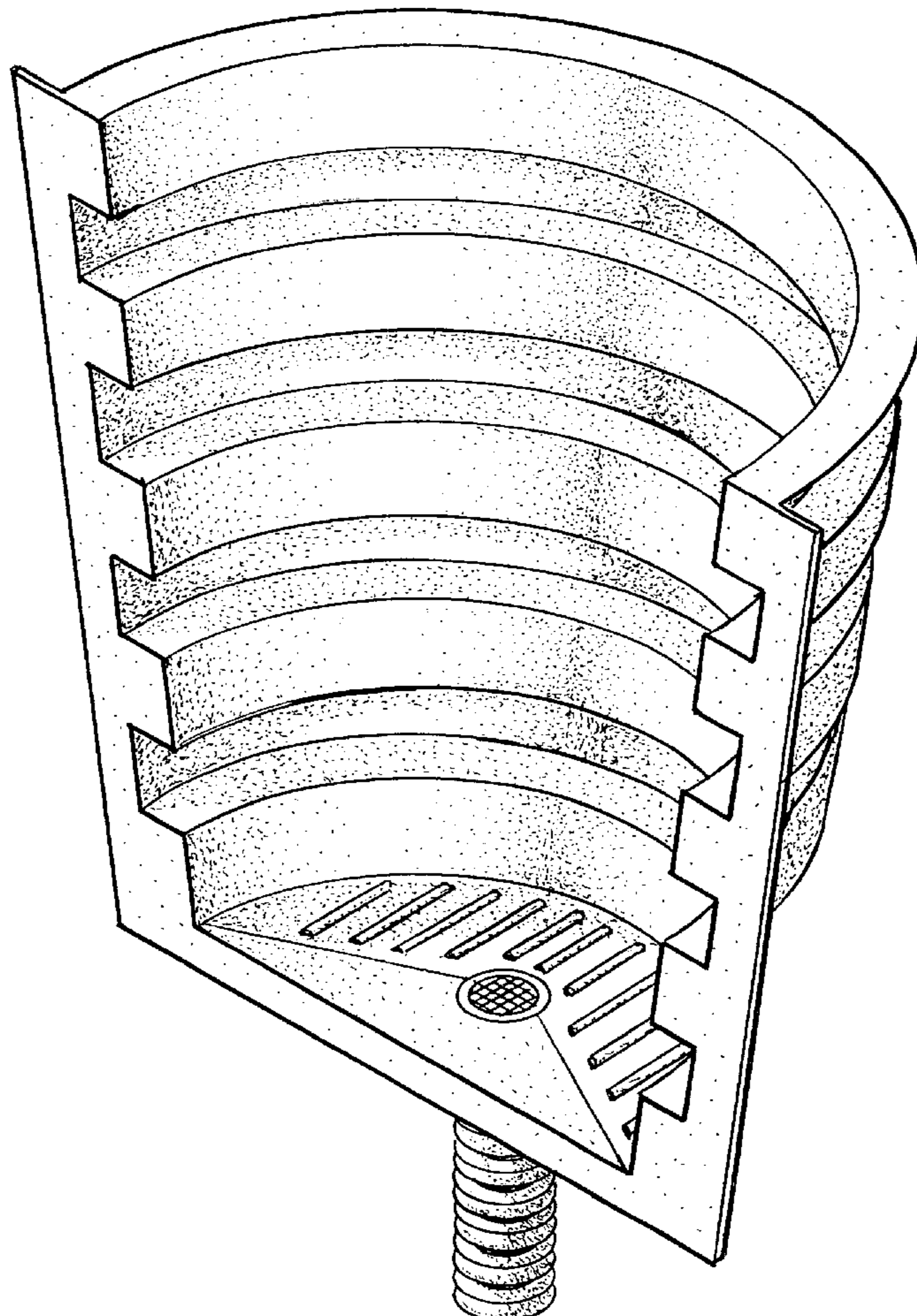


FIG-1

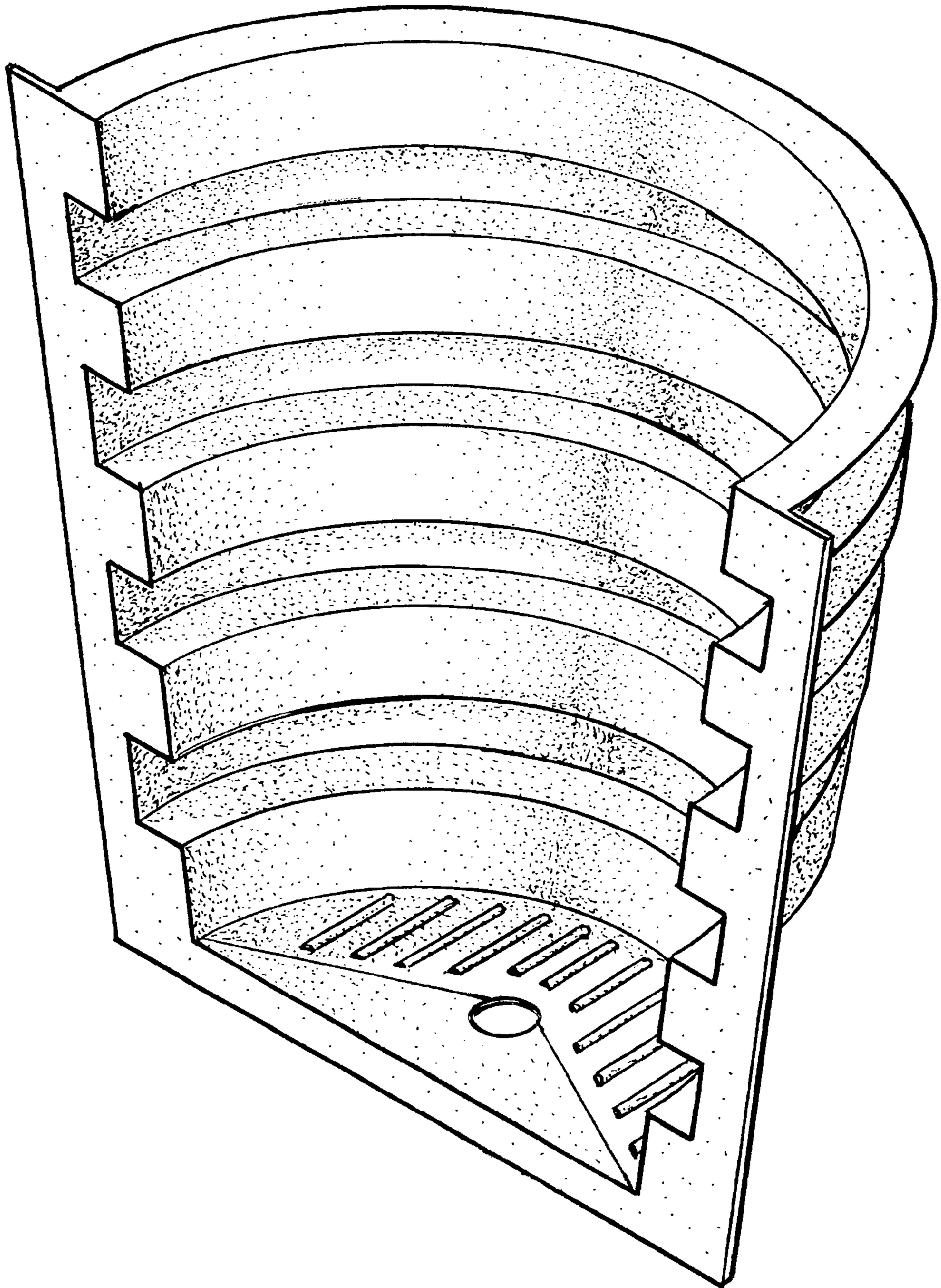


FIG-2

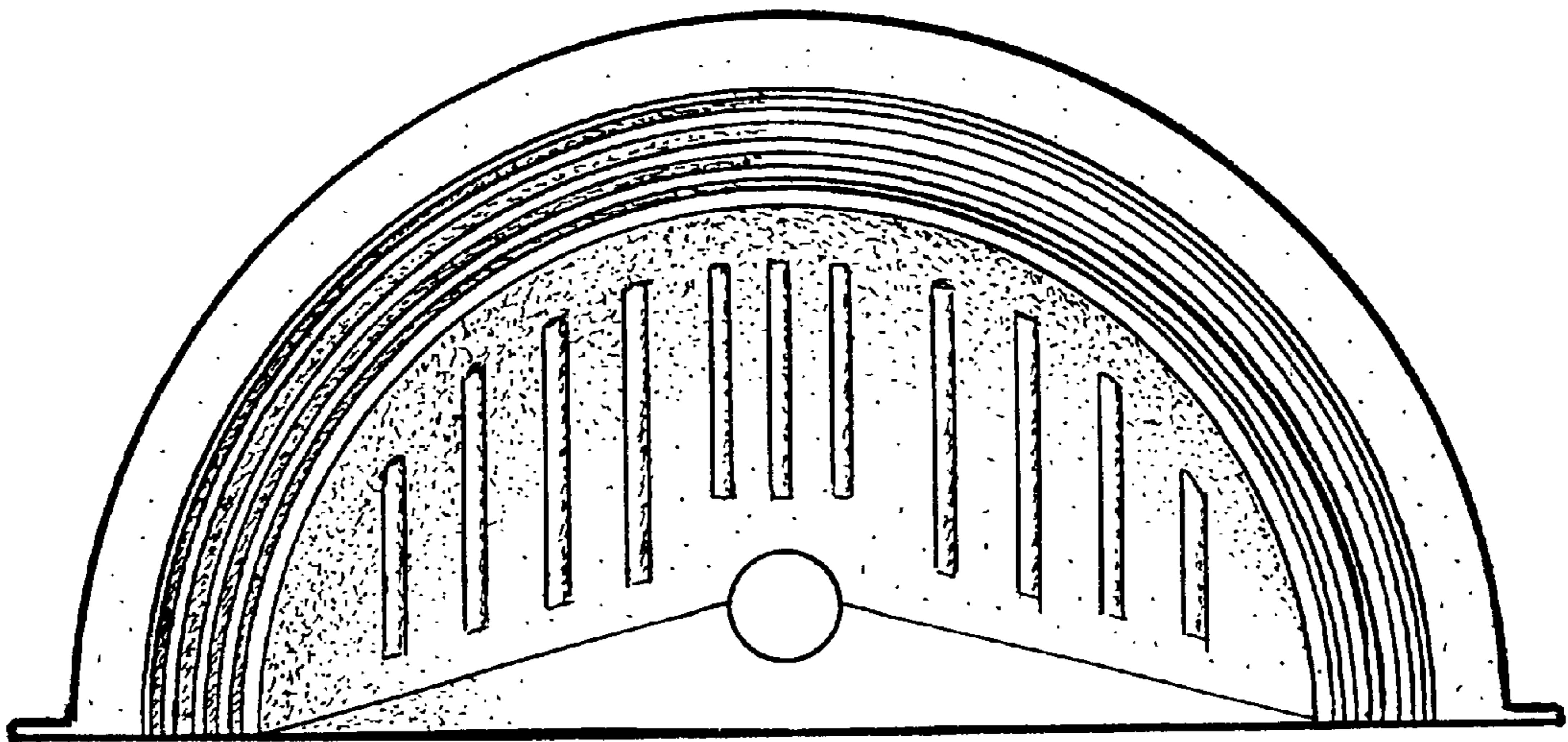


FIG-3

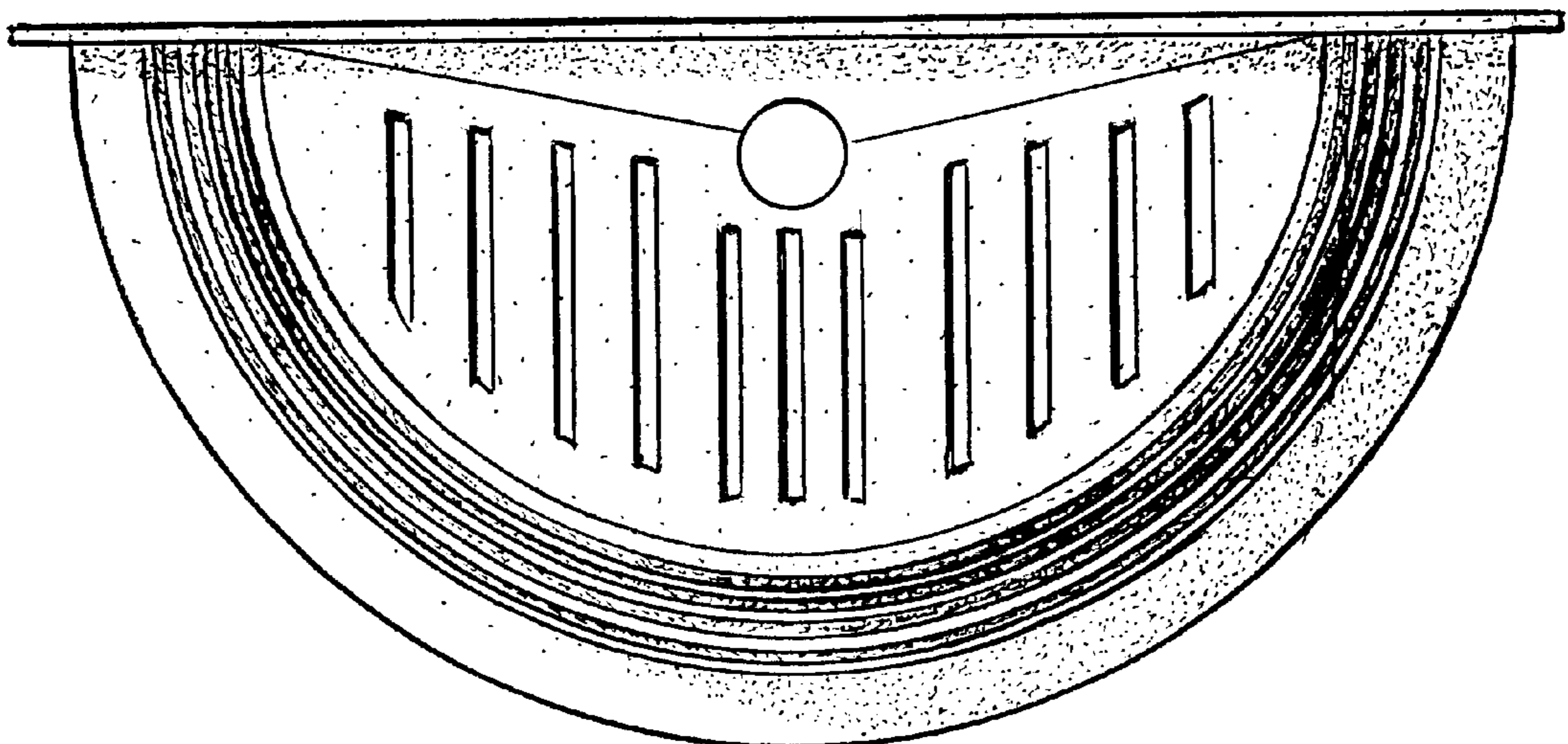


FIG - 4

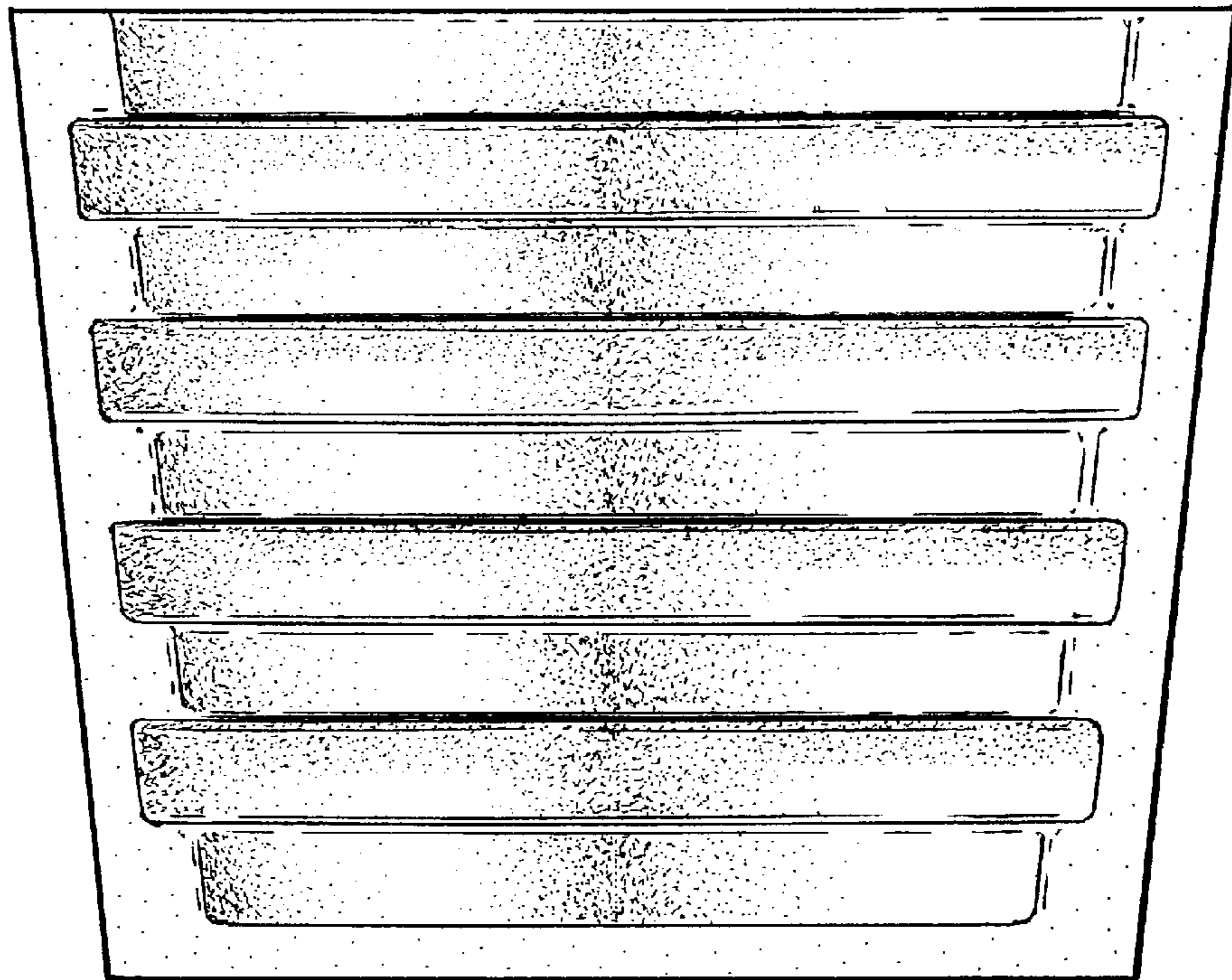


FIG - 5

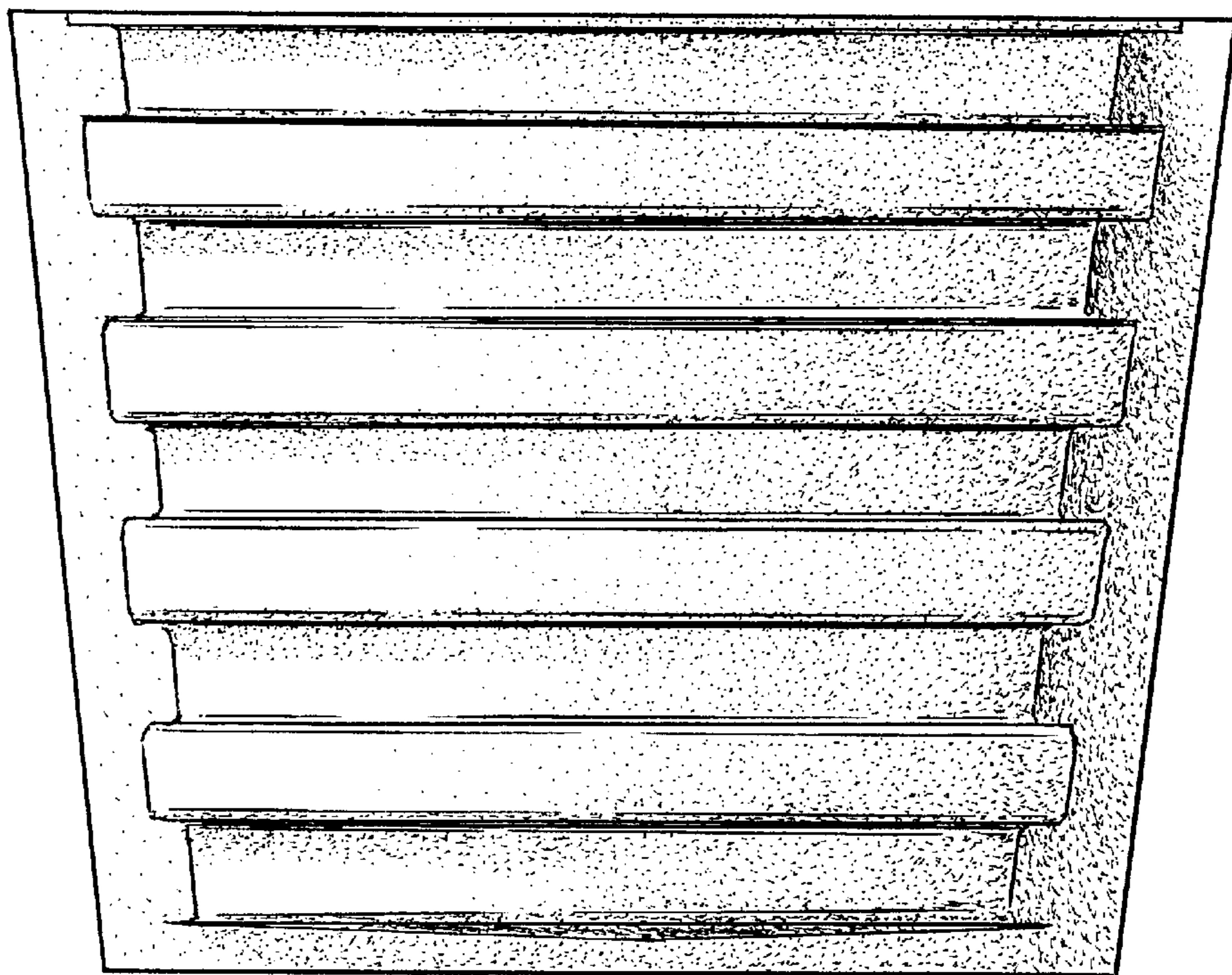


FIG-6

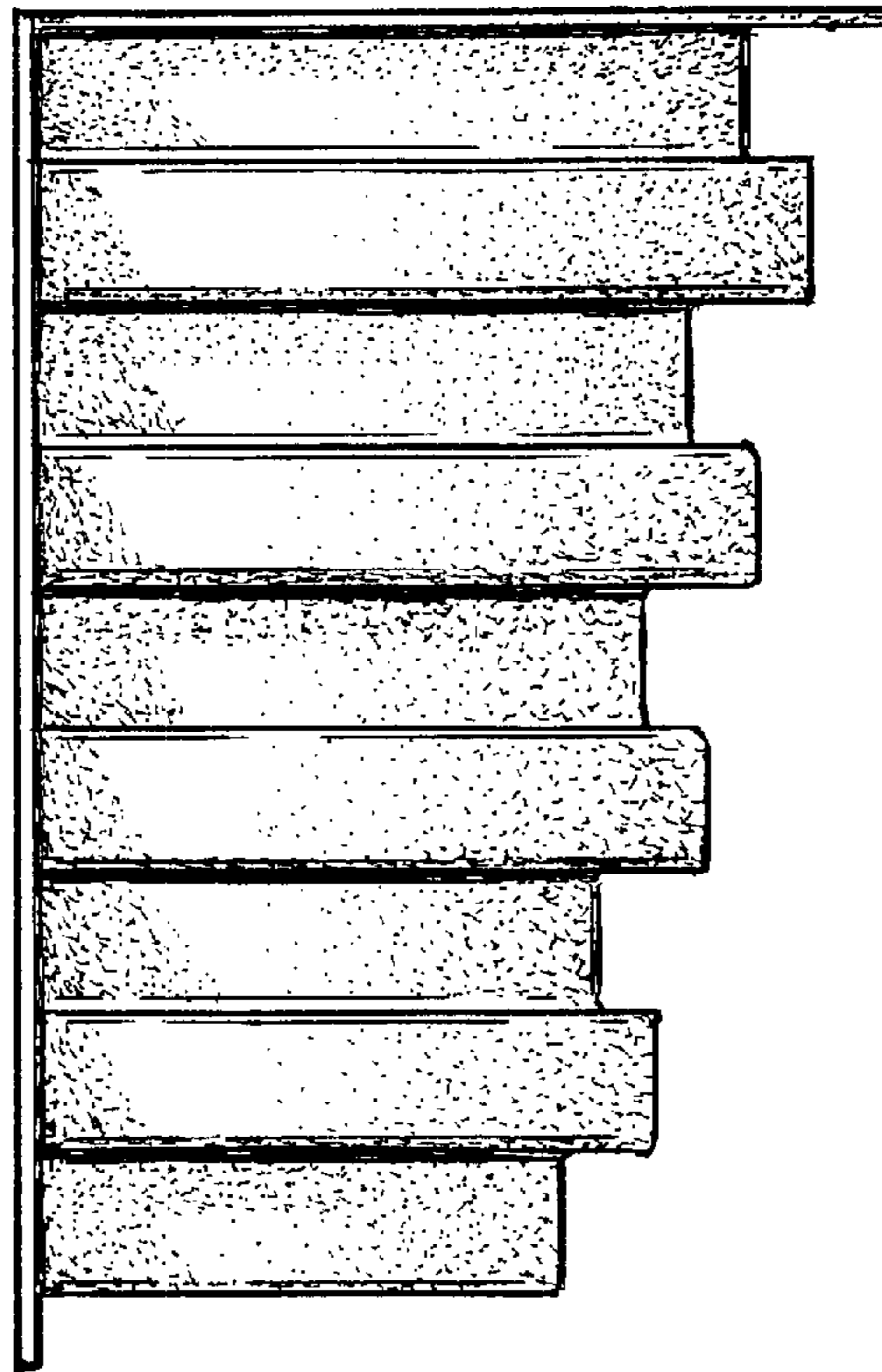


FIG-7

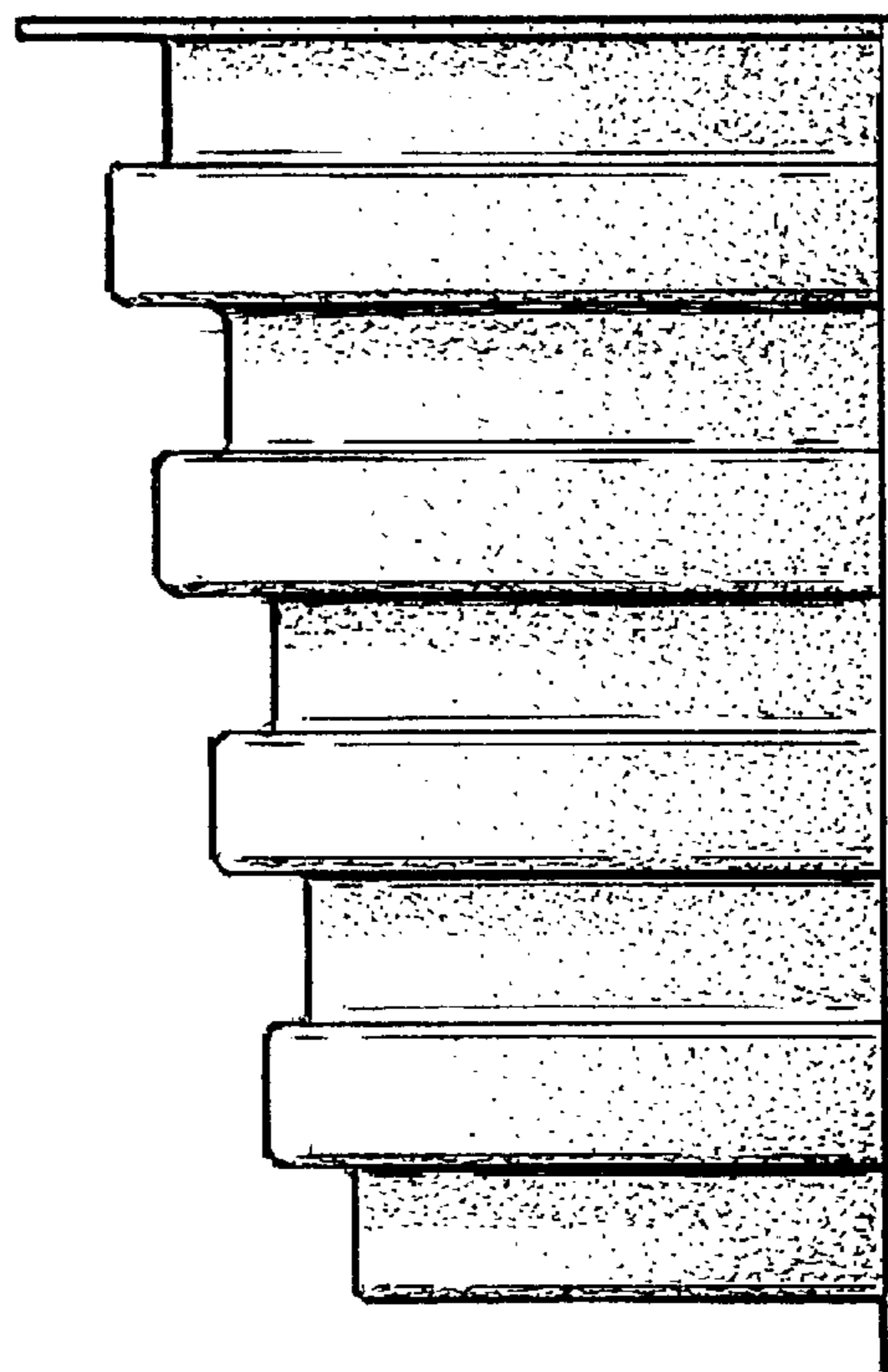


FIG-8

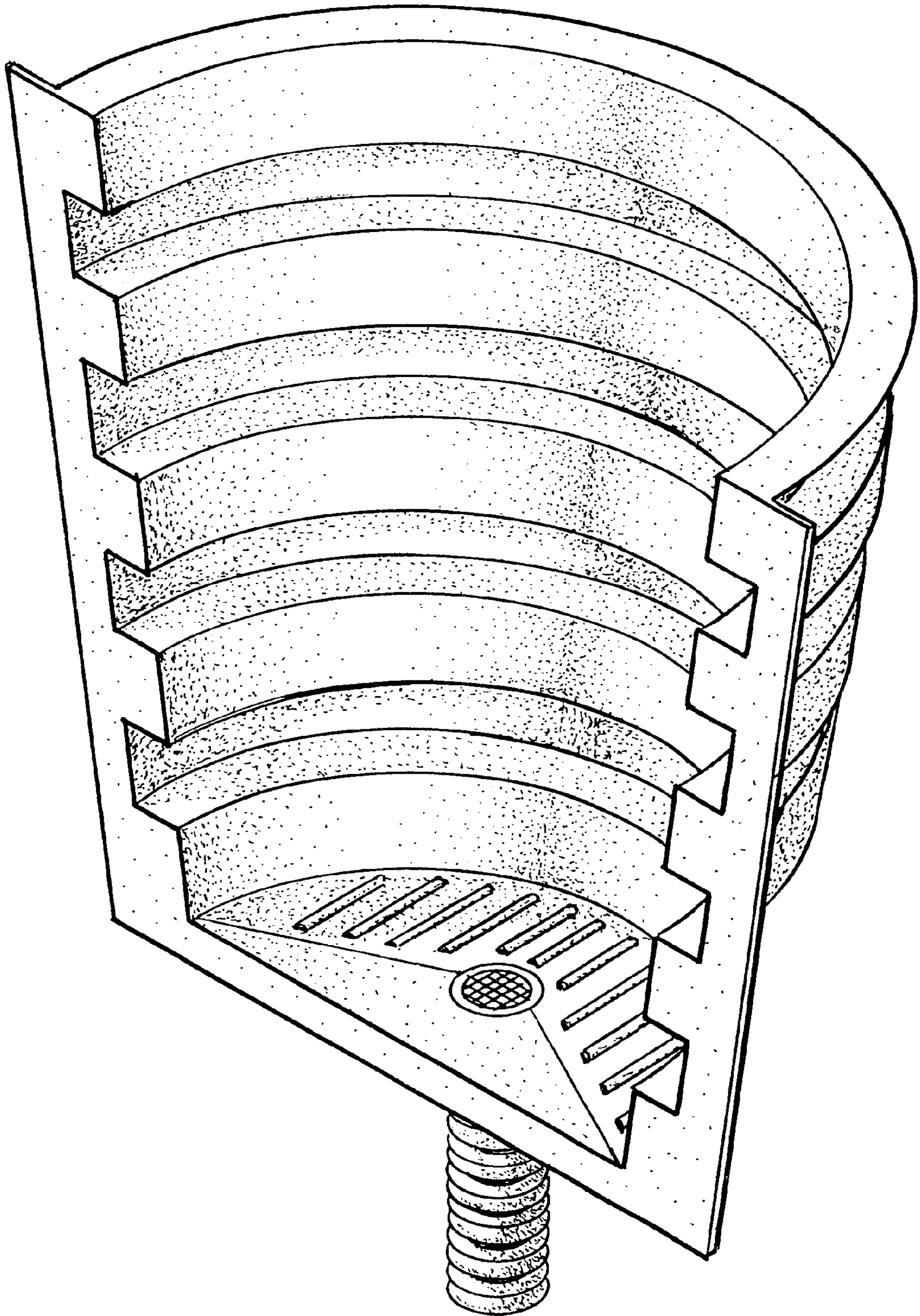


FIG-9

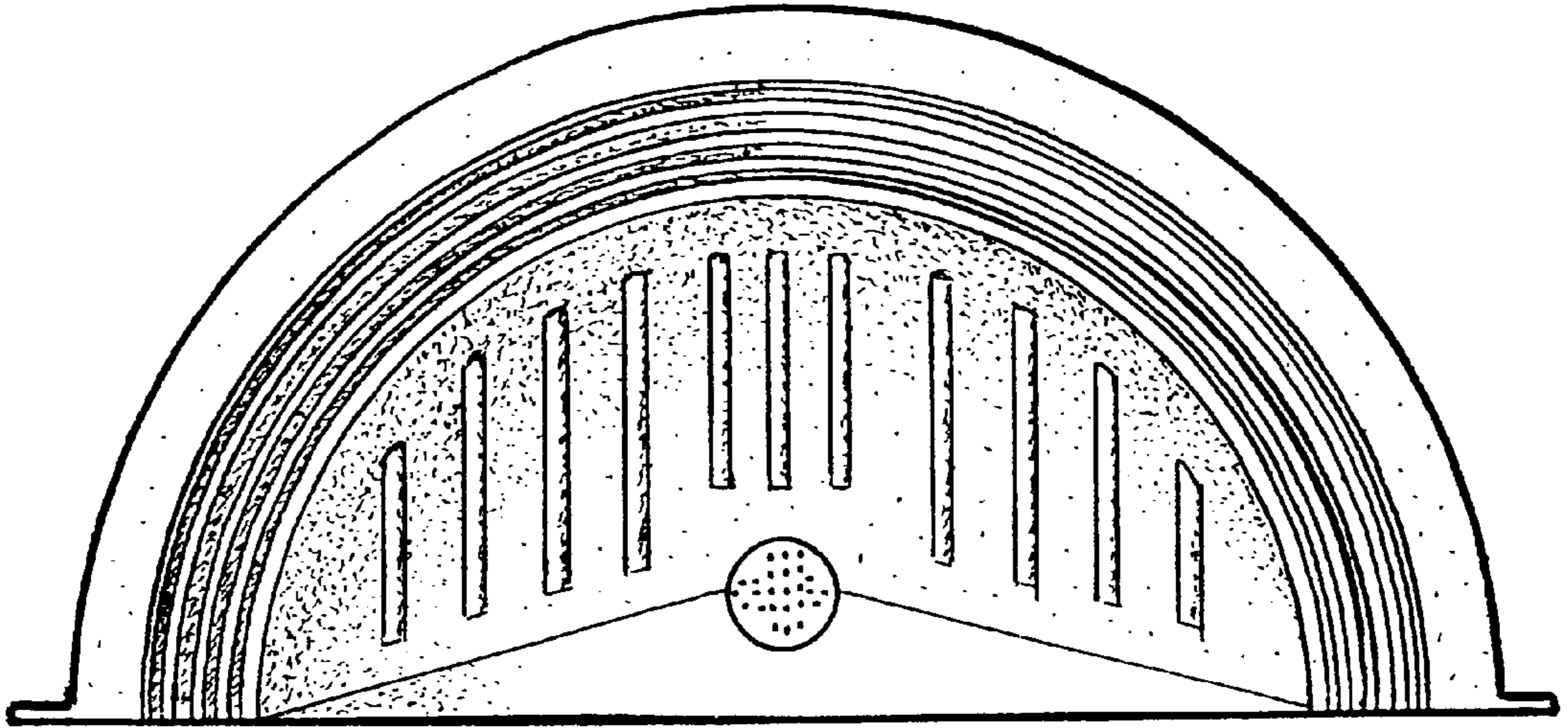


FIG-10

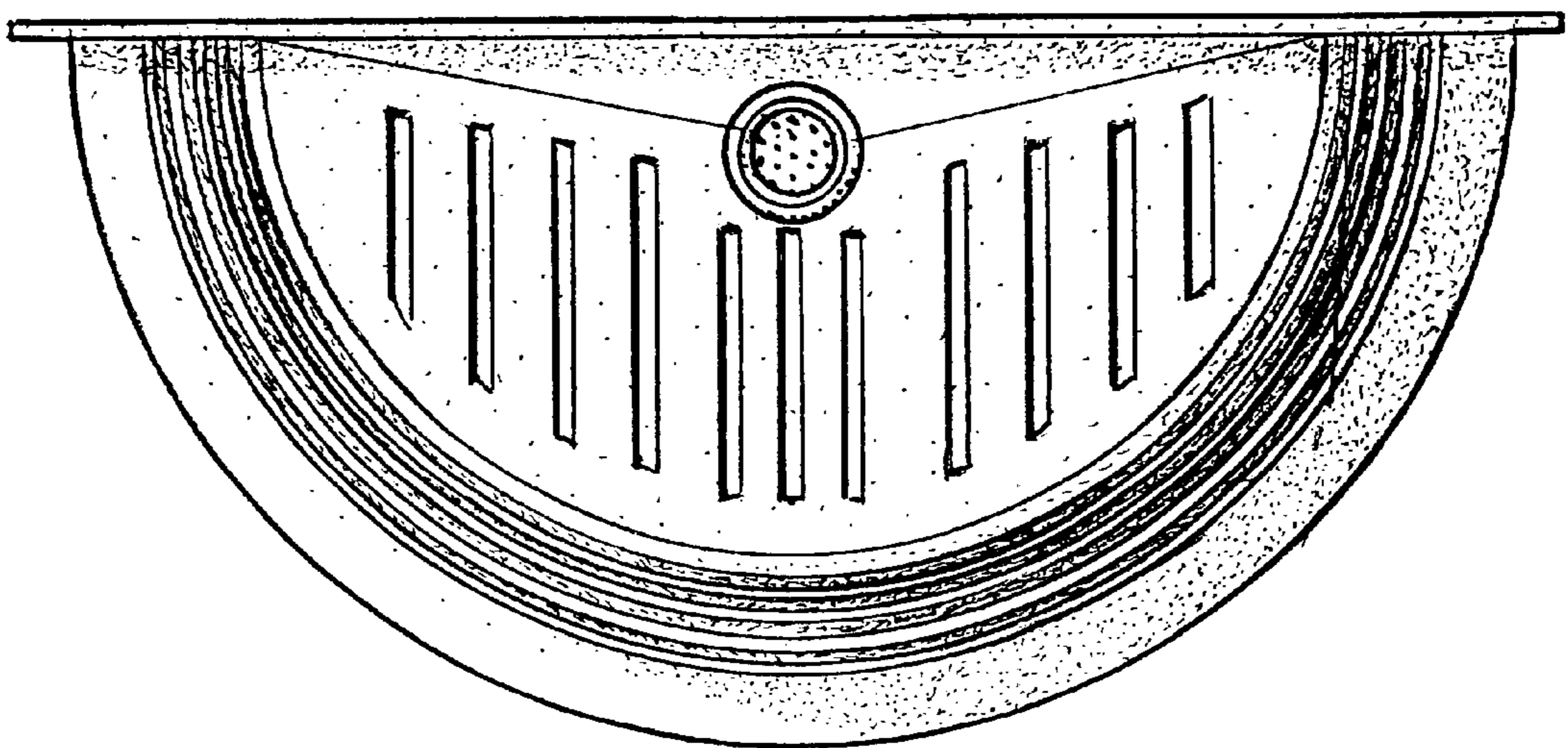


FIG - 11

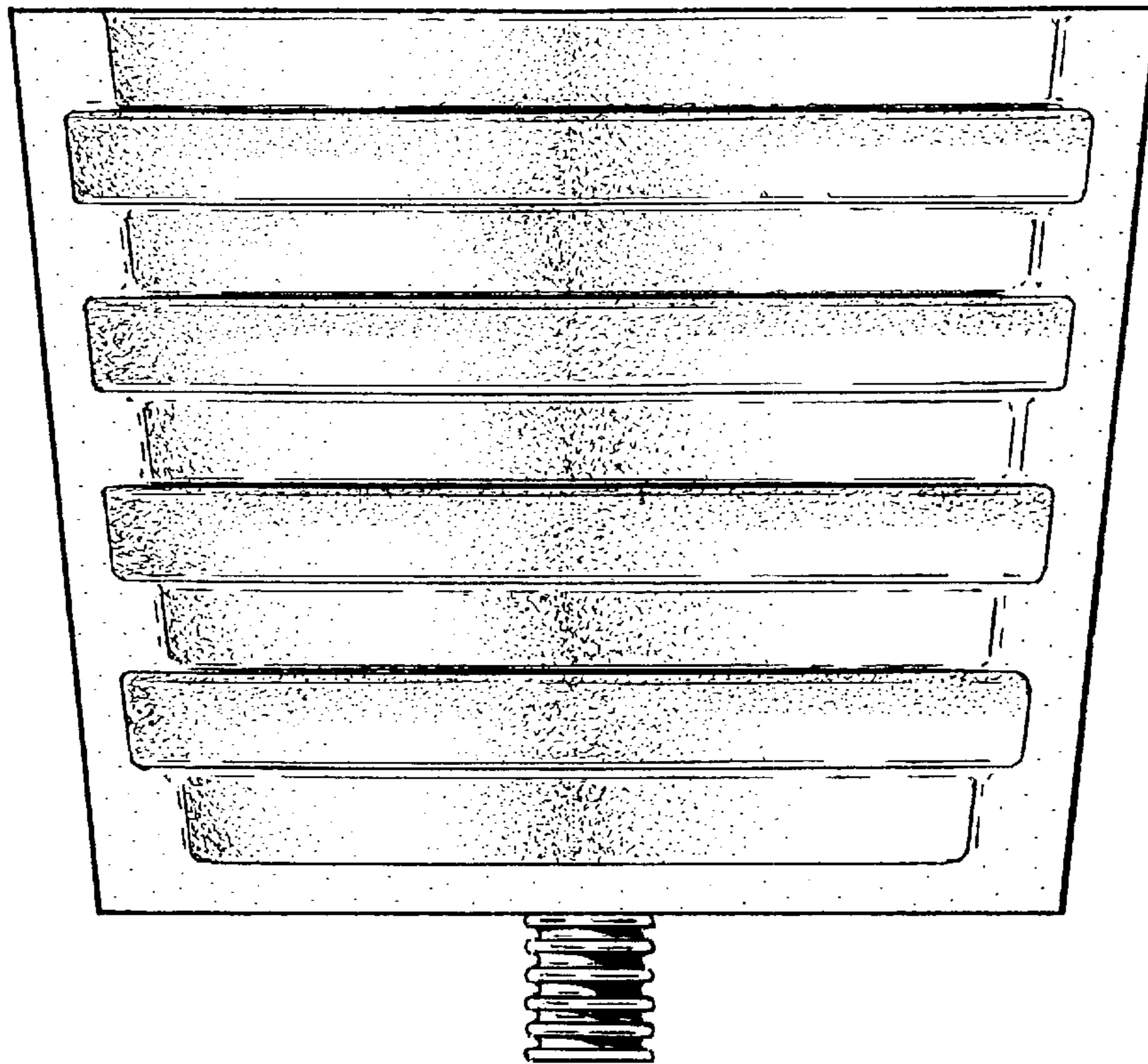


FIG - 12

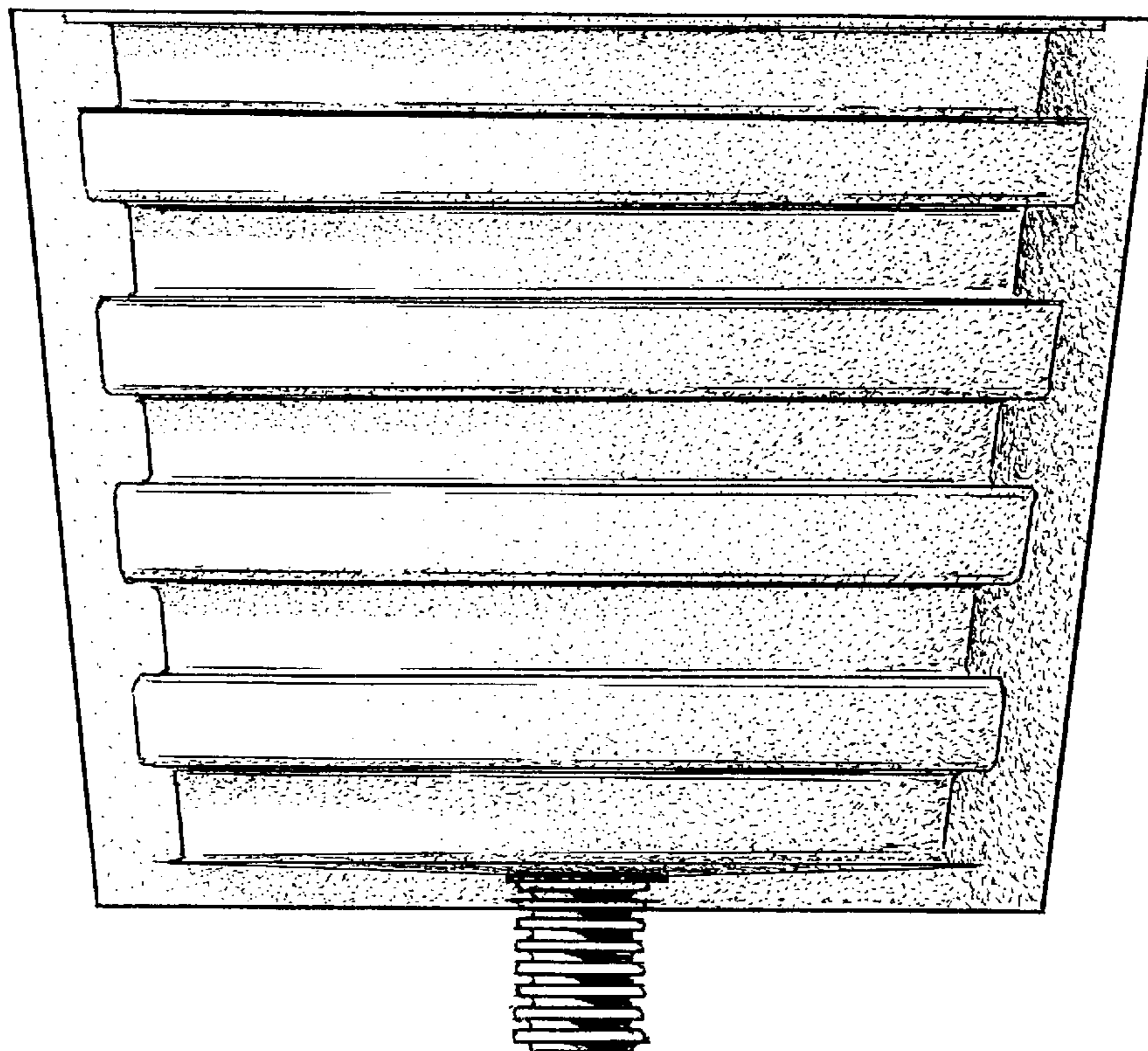


FIG - 13

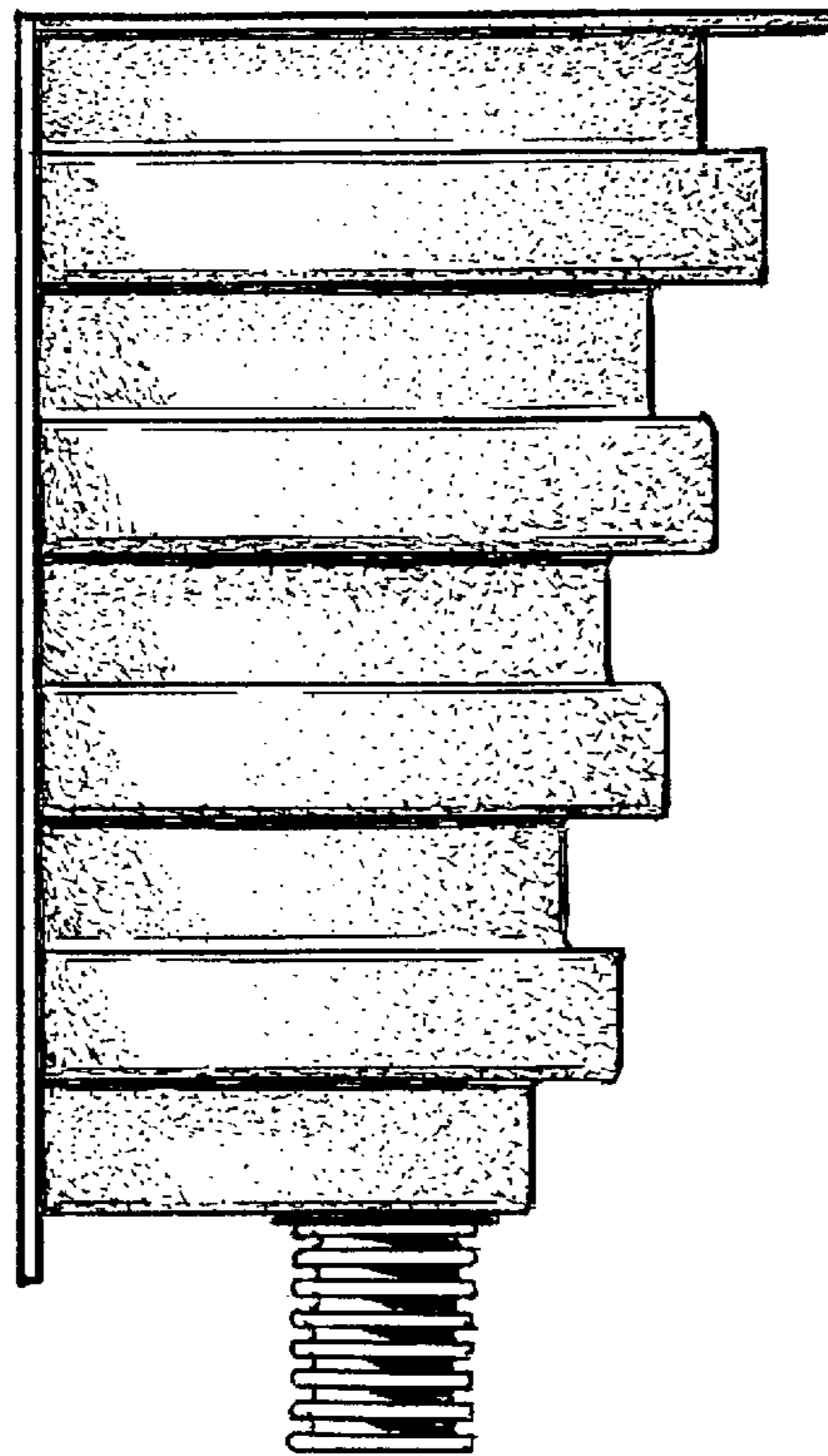


FIG - 14

