



US00D472976S

(12) **United States Design Patent**
Jackson

(10) **Patent No.:** **US D472,976 S**

(45) **Date of Patent:** **** Apr. 8, 2003**

(54) **TRADE SHOW BOOTH**

(75) Inventor: **John D. Jackson**, Waterloo, IN (US)

(73) Assignee: **Technology Solutions Incorporated**,
Waterloo, IN (US)

(**) Term: **14 Years**

(21) Appl. No.: **29/158,190**

(22) Filed: **Apr. 1, 2002**

(51) **LOC (7) Cl.** **25-03**

(52) **U.S. Cl.** **D25/16**

(58) **Field of Search** D25/16; 52/361;
D6/399, 396; 312/223.5, 114, 137, 140.1

(56) **References Cited**

U.S. PATENT DOCUMENTS

D382,975 S * 8/1997 Bolton D25/16

* cited by examiner

Primary Examiner—Doris Clark

(74) *Attorney, Agent, or Firm*—Brinks Hofer Gilson & Lione

(57) **CLAIM**

I claim the ornamental design for a trade show booth, as shown and described.

DESCRIPTION

FIG. 1 is a perspective view illustrating my new design;

FIG. 2 is a top view thereof;

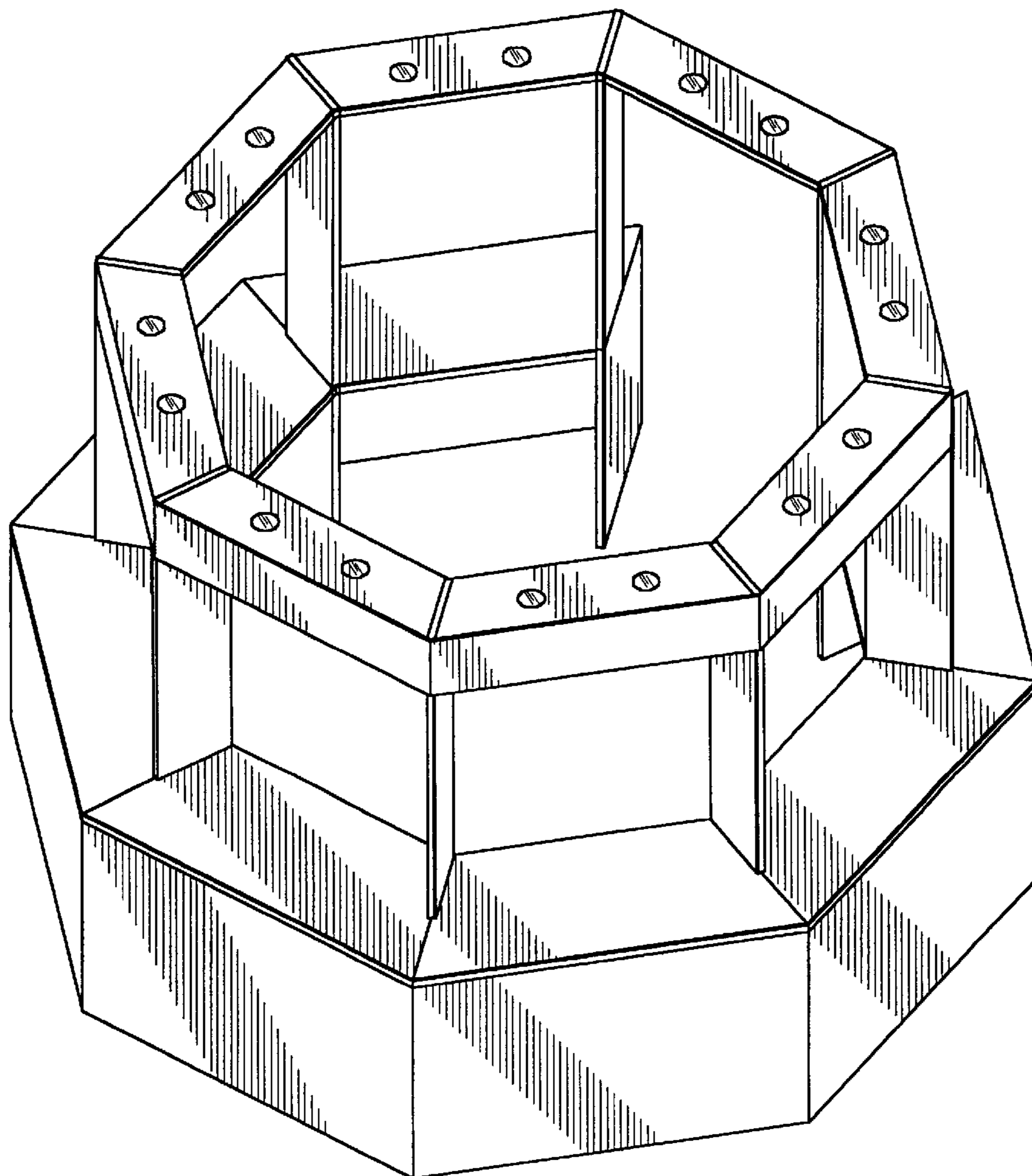
FIG. 3 is a bottom view thereof;

FIG. 4 is a side view thereof; and,

FIG. 5 is another side view depicting an entrance thereof.

The small circles on the top portion of the trade show booth depict lights.

1 Claim, 5 Drawing Sheets



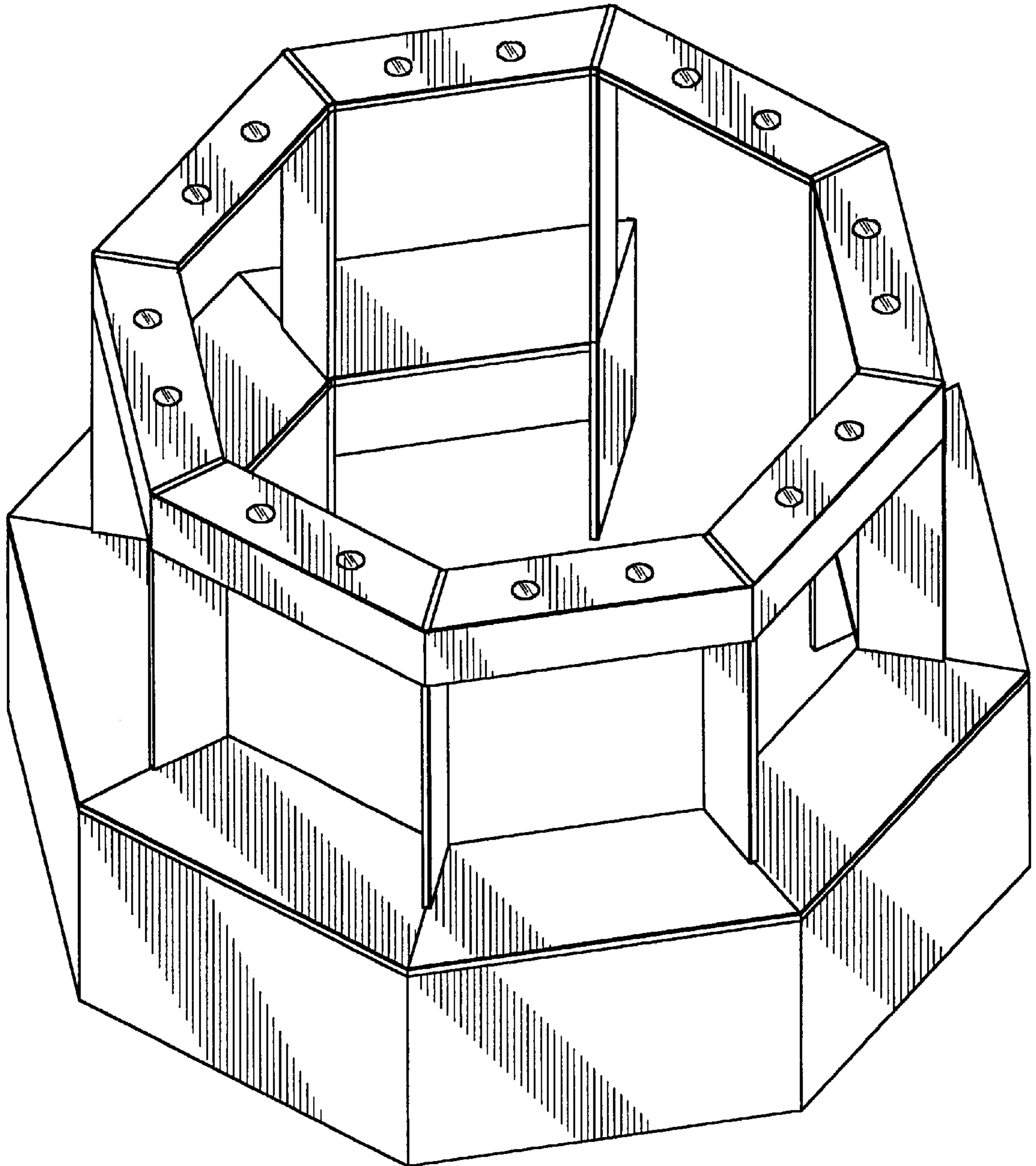


Fig. 1

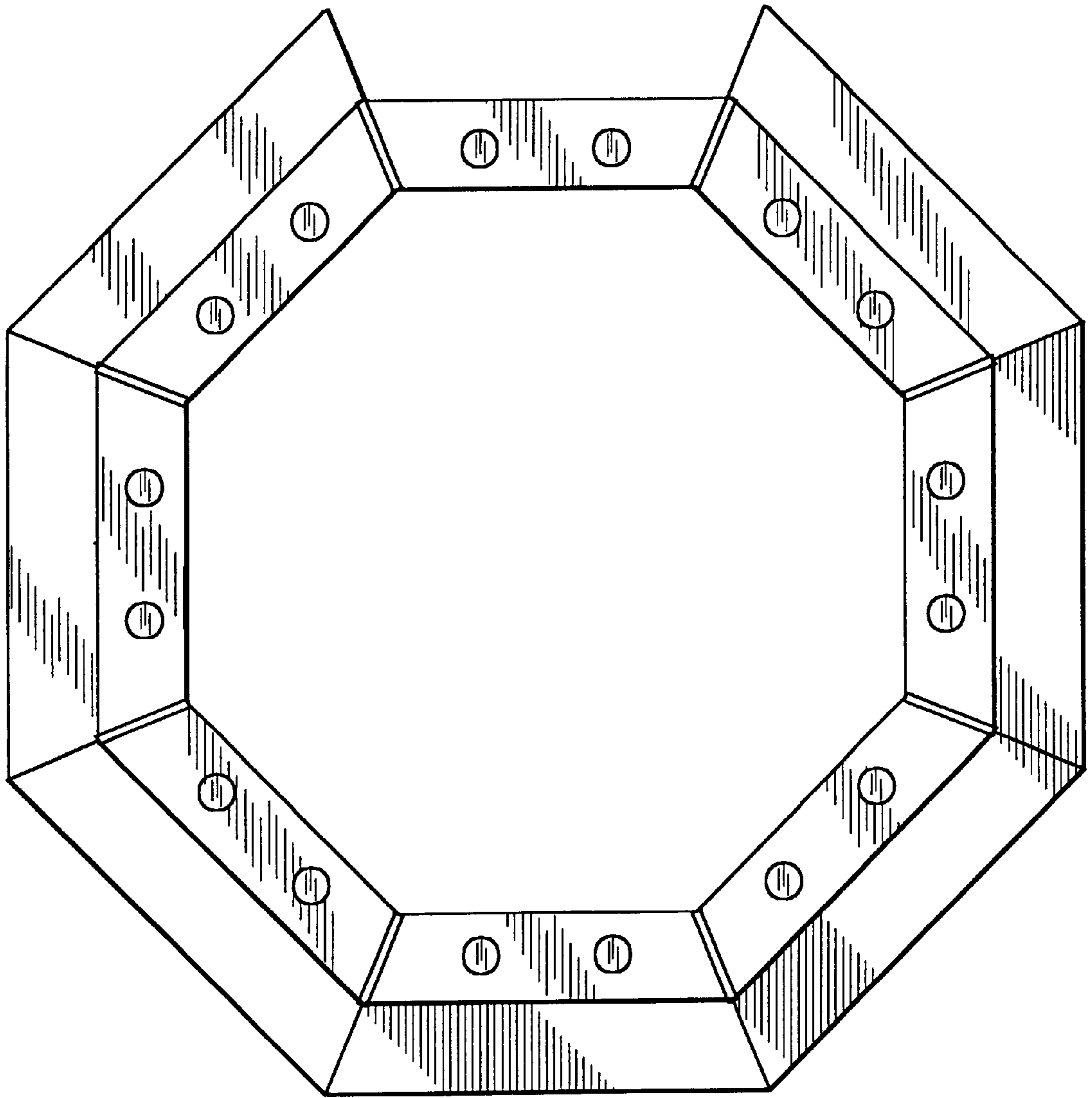


Fig. 2

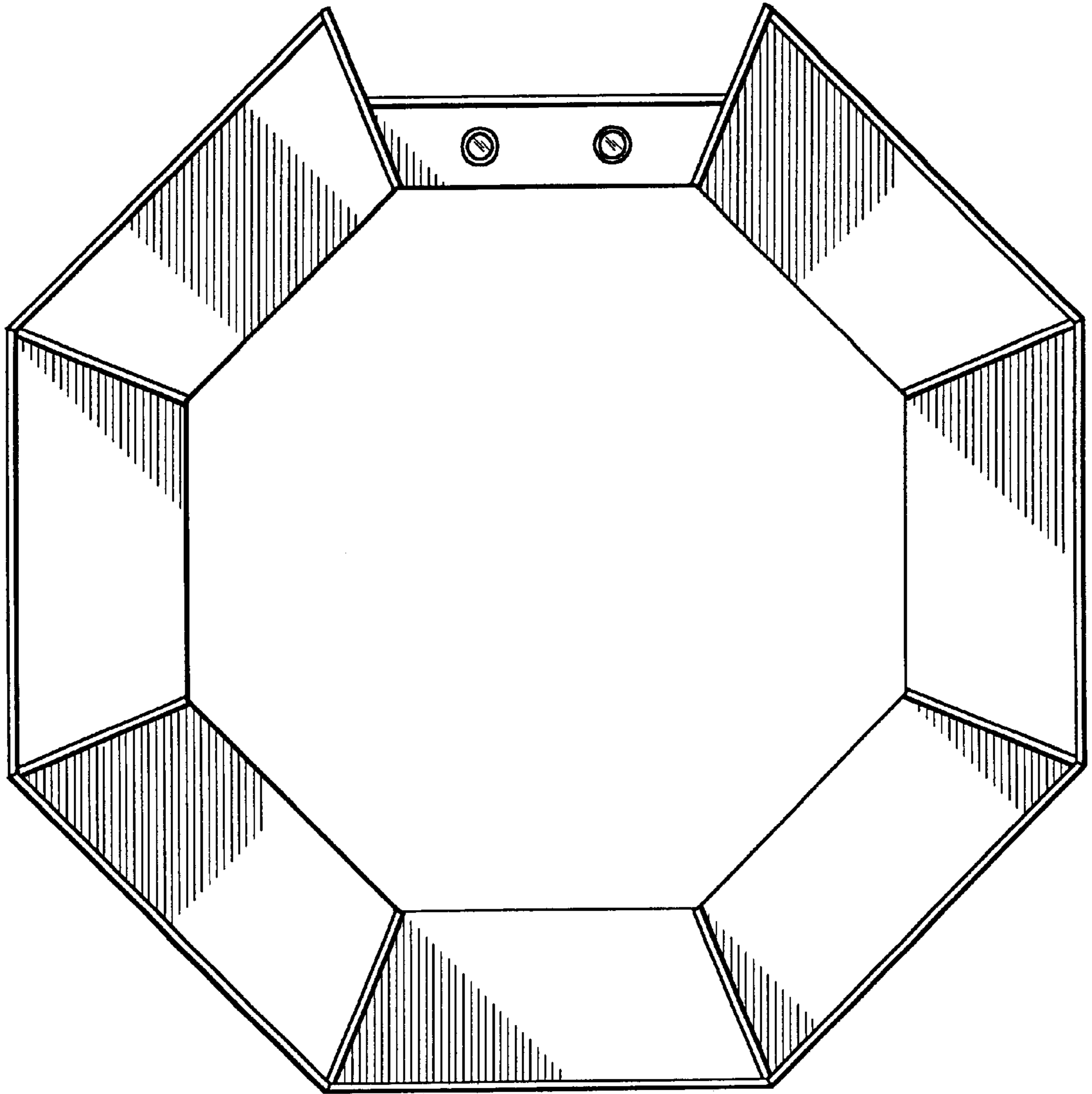


Fig. 3

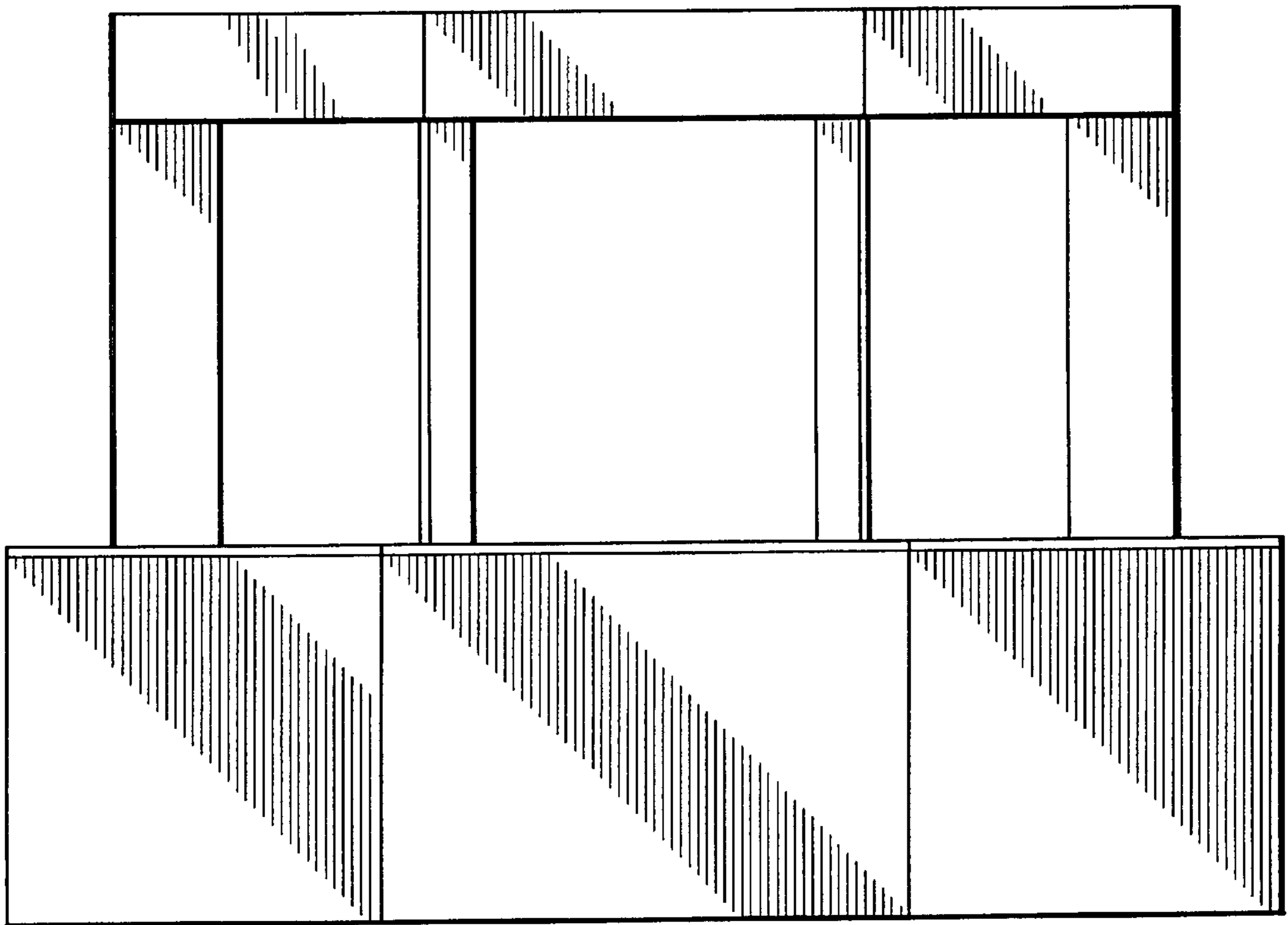


Fig. 4

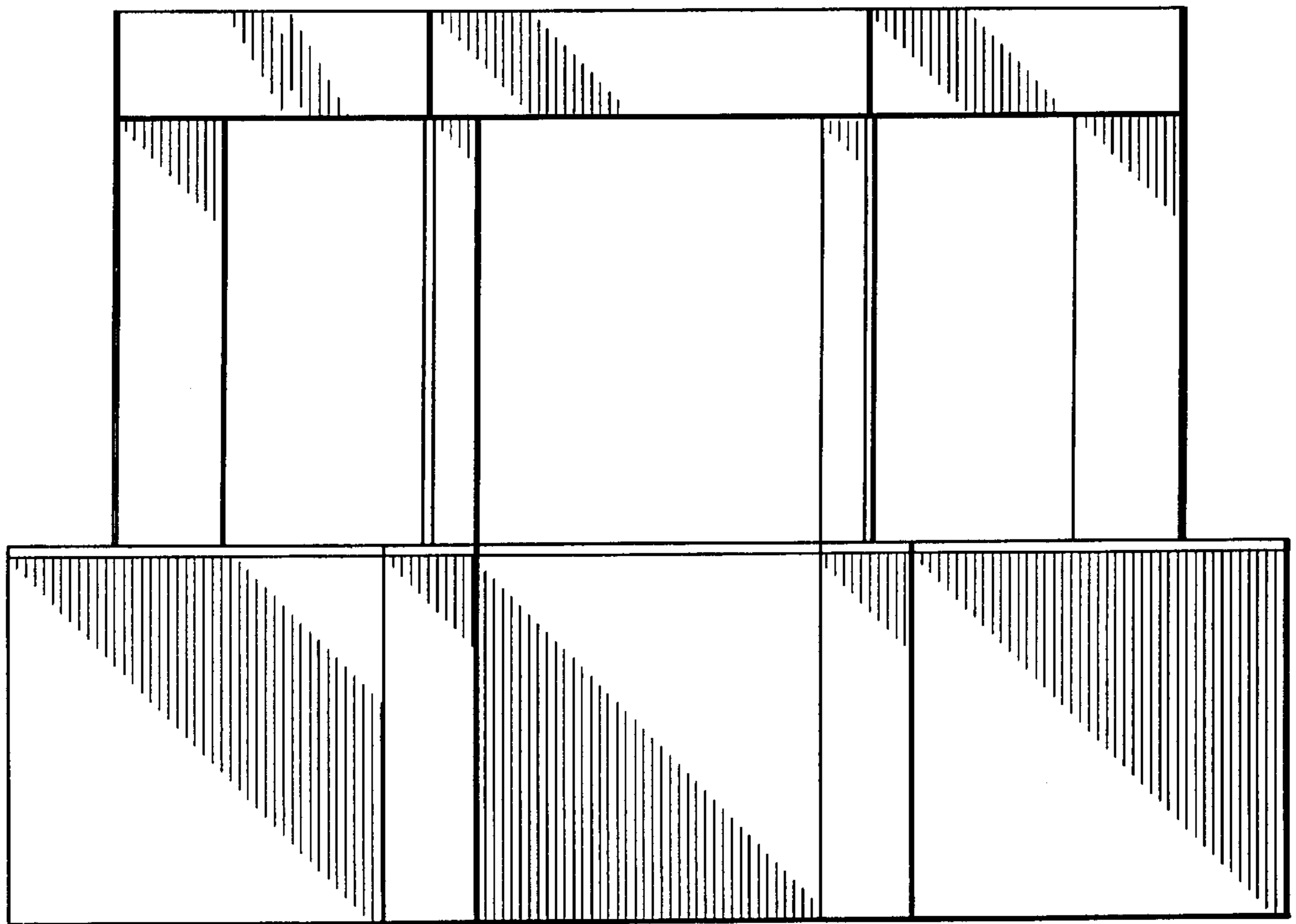


Fig. 5