



US00D472975S

(12) **United States Design Patent**
Iori et al.

(10) **Patent No.:** **US D472,975 S**

(45) **Date of Patent:** **** Apr. 8, 2003**

(54) **CONTAINER FOR RECEIVING SPECIMEN**

(75) Inventors: **Hitomi Iori**, Nakagawa-machi (JP);
Nobuya Kajiwara, Kobe (JP); **Koji Ochiai**, Kakogawa (JP)

(73) Assignee: **International Reagents Corporation**,
Kobe (JP)

(**) Term: **14 Years**

(21) Appl. No.: **29/157,869**

(22) Filed: **Mar. 28, 2002**

(30) **Foreign Application Priority Data**

Oct. 18, 2001 (JP) 2001-034063

(51) **LOC (7) Cl.** **24-02**

(52) **U.S. Cl.** **D24/224; D9/523; D24/216**

(58) **Field of Search** D24/224, 216,
D24/121, 223; D9/523, 573; 422/101, 56,
58, 61; 435/304.2, 307.1, 309.1; 600/569,
570, 572, 562

(56) **References Cited**

U.S. PATENT DOCUMENTS

2,835,246 A * 5/1958 Boettger 600/570
5,543,115 A * 8/1996 Karakawa 422/102
5,635,137 A * 6/1997 Manz et al. 422/102
6,436,349 B1 * 8/2001 Carey et al. 422/102
6,312,395 B1 * 11/2001 Tripp et al. 600/572

* cited by examiner

Primary Examiner—Ian Simmons

(74) *Attorney, Agent, or Firm*—Shinju Global IP
Counselors, LLP

(57) **CLAIM**

The ornamental design for a container for receiving specimen, as shown and described.

DESCRIPTION

FIG. 1 is a perspective view of a container for receiving specimen in accordance with our new design;

FIG. 2 is a right end elevational view of the container for receiving specimen illustrated in FIG. 1;

FIG. 3 is a left end elevational view of the container for receiving specimen illustrated in FIGS. 1 and 2;

FIG. 4 is a front side elevational view of the container for receiving specimen illustrated in FIGS. 1–3;

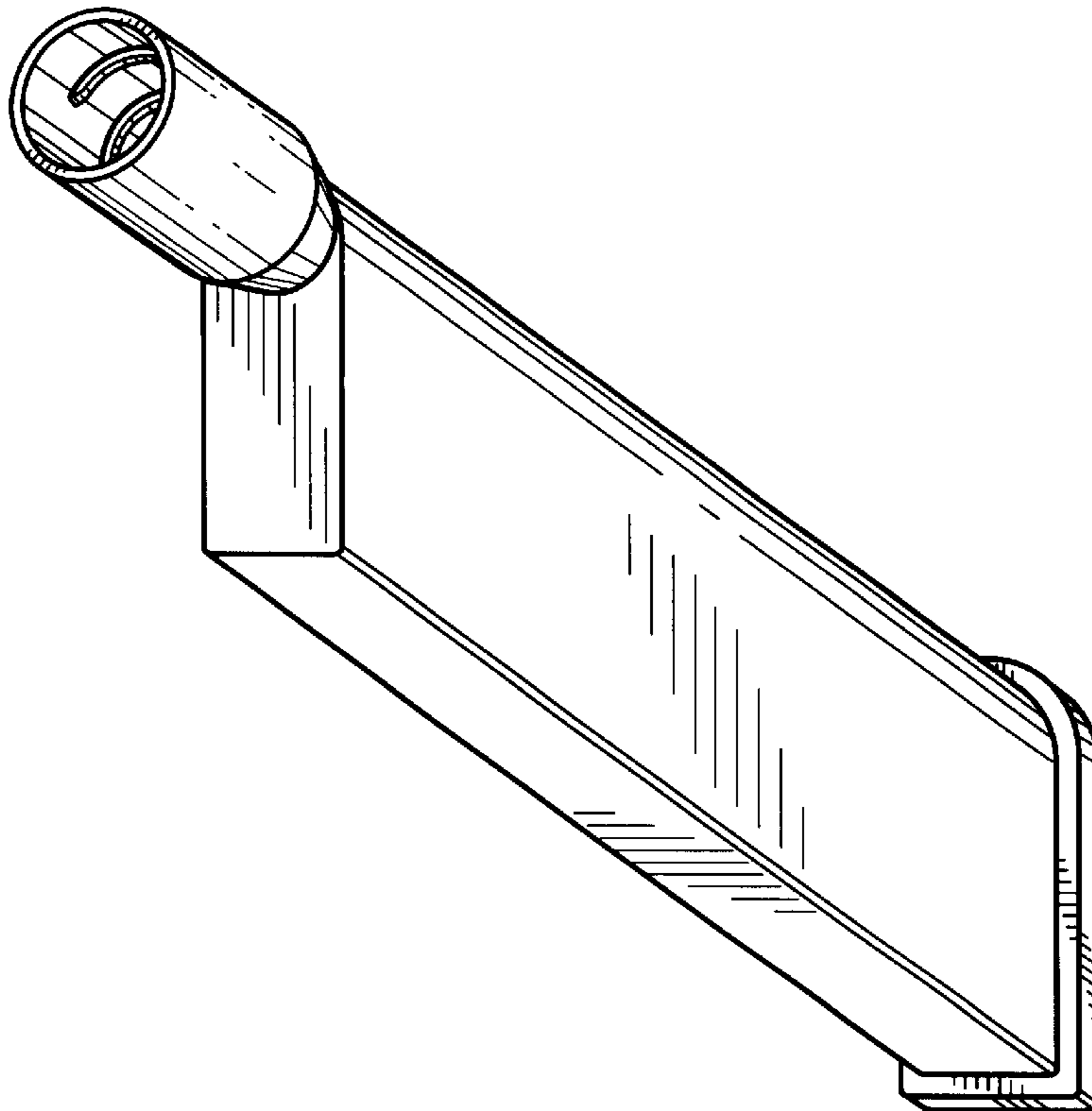
FIG. 5 is a rear side end elevational view of the container for receiving specimen illustrated in FIGS. 1–4;

FIG. 6 is a top plan view of the container for receiving specimen illustrated in FIGS. 1–5; and,

FIG. 7 is a bottom plan view of the container for receiving specimen illustrated in FIGS. 1–6.

The broken line showing of environment (the remaining structure of the container for receiving specimen) in the Figures is for illustrative purposes only and forms no part of the claimed design.

1 Claim, 3 Drawing Sheets



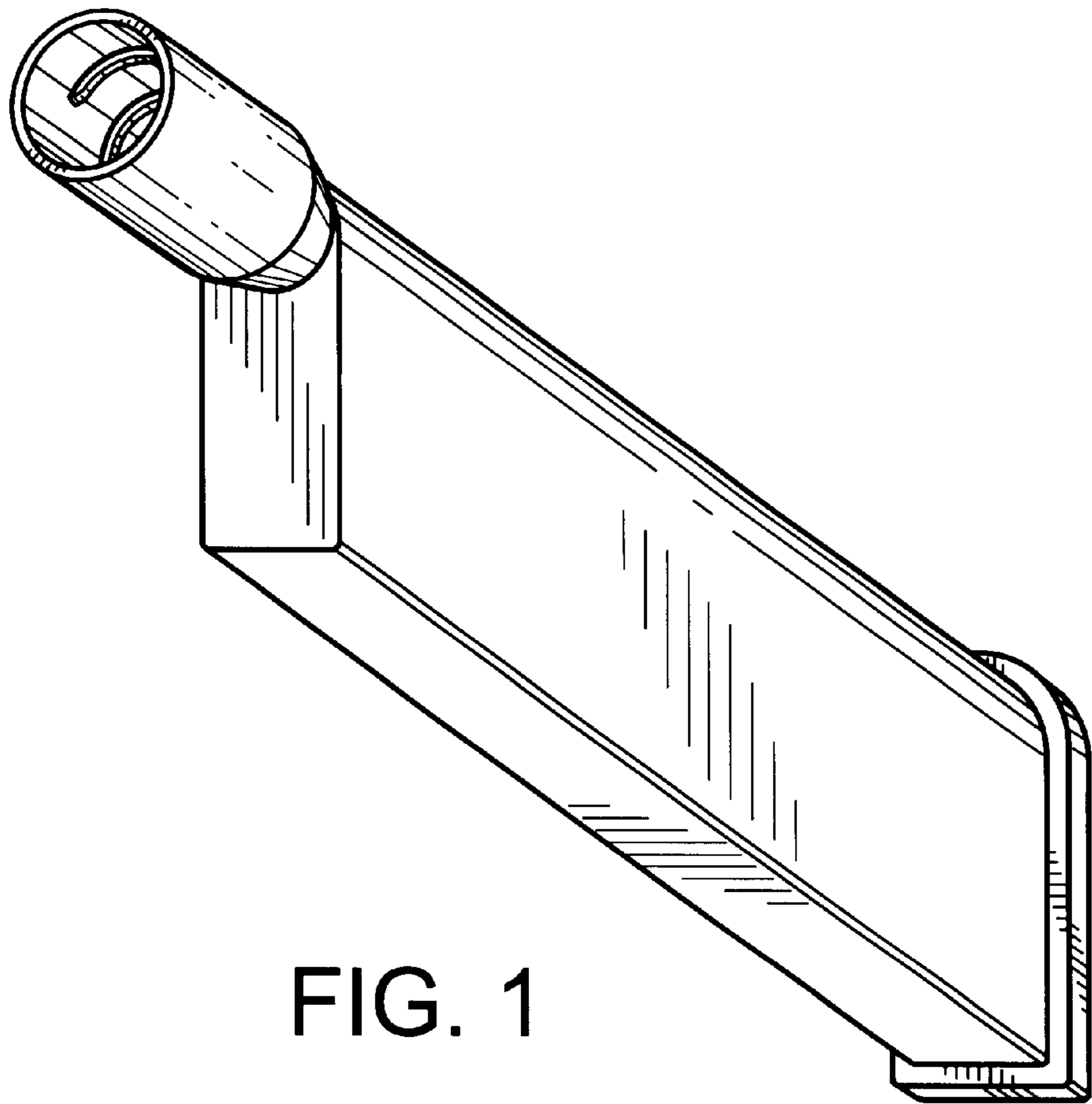


FIG. 1

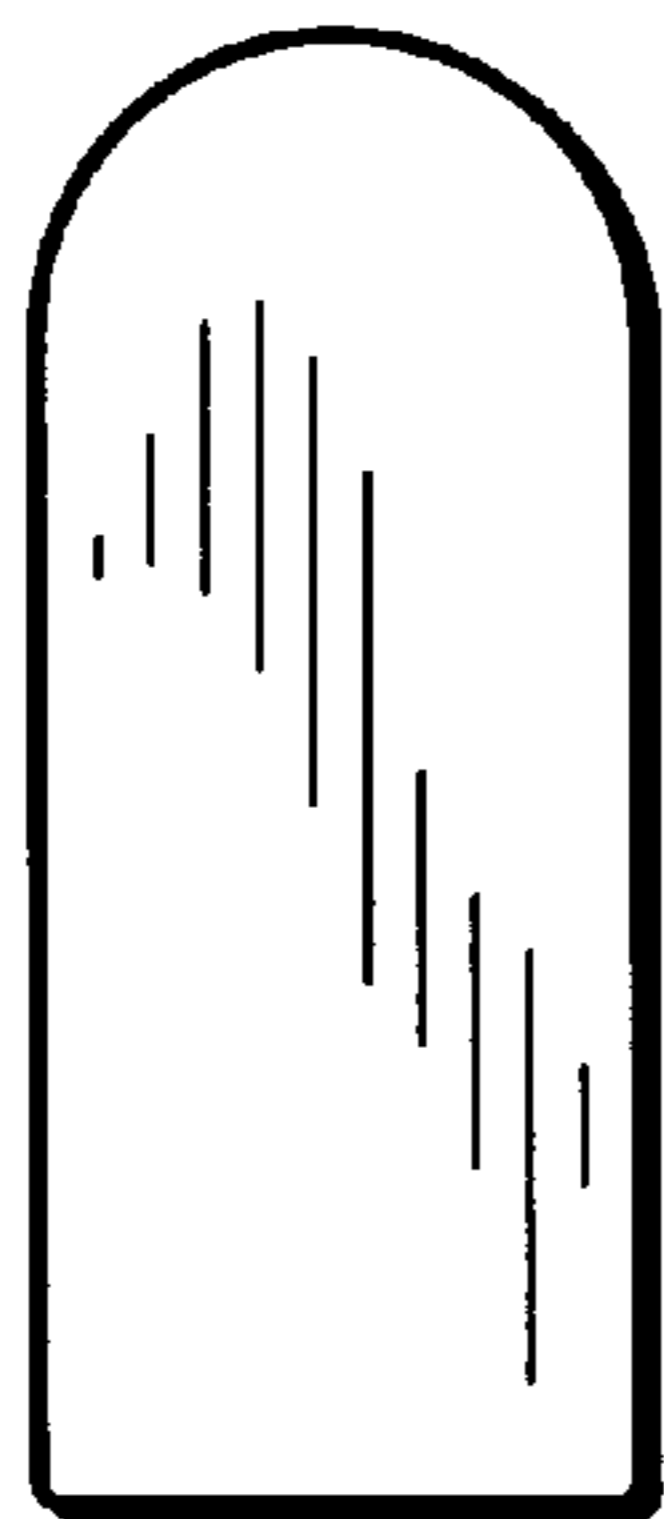


FIG. 2

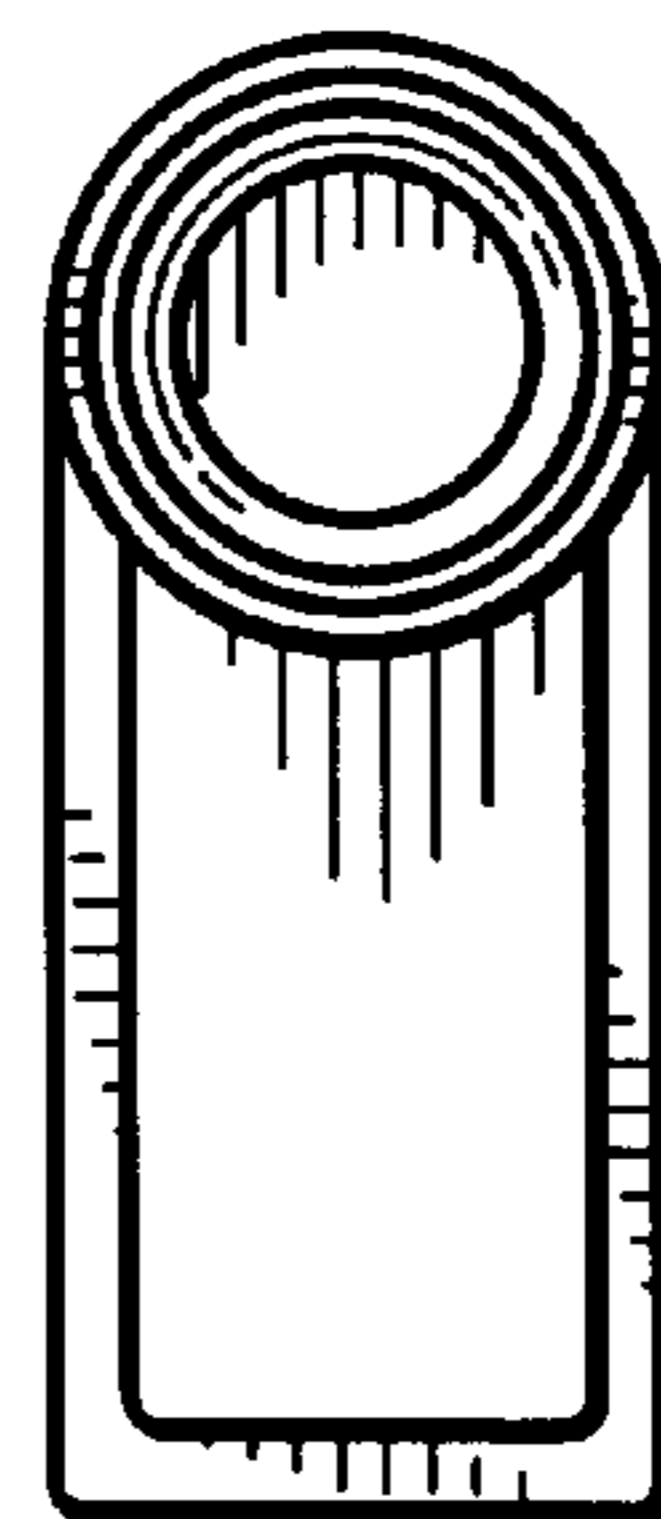


FIG. 3

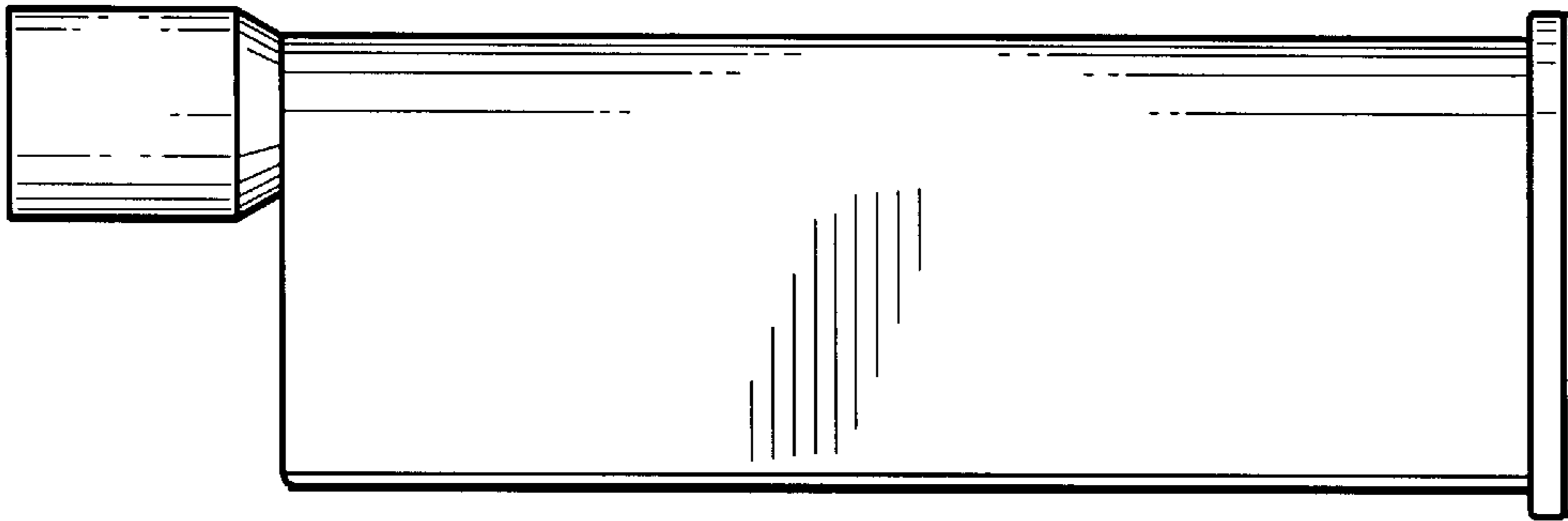


FIG. 4

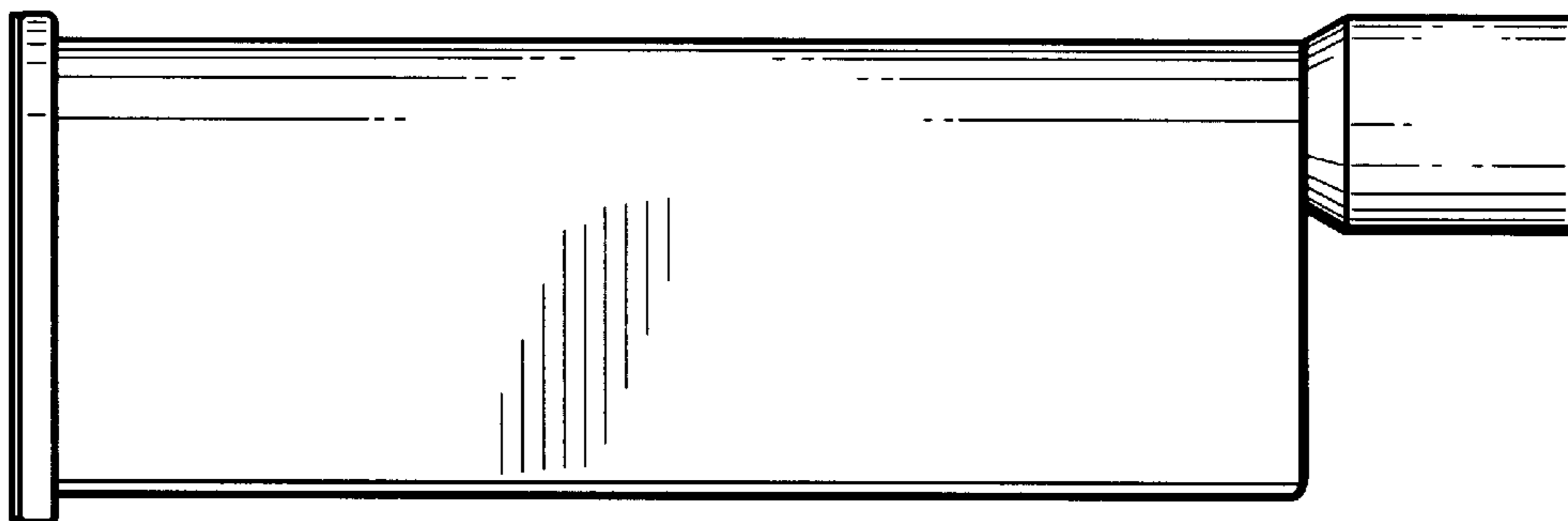


FIG. 5

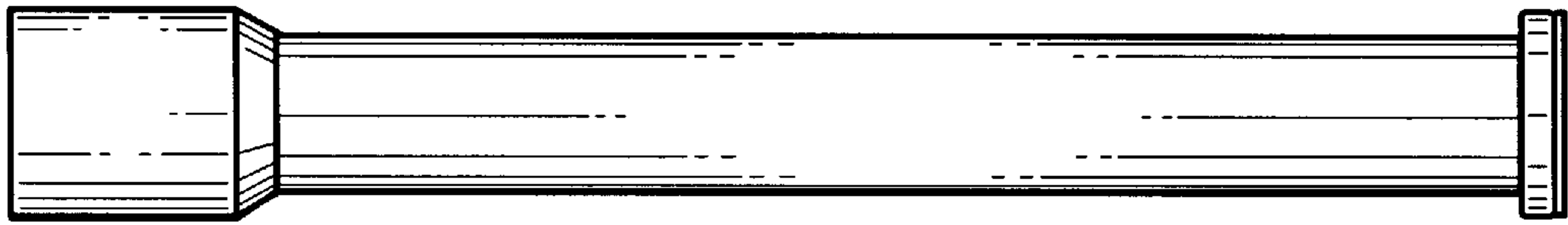


FIG. 6

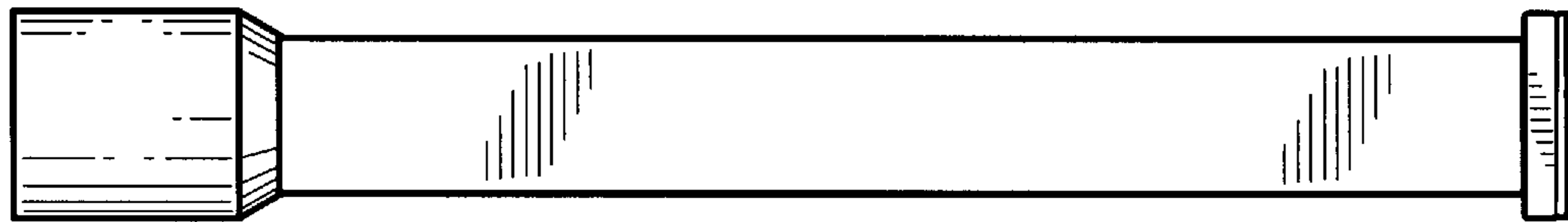


FIG. 7