



US00D472973S

(12) **United States Design Patent**
Bliss et al.

(10) **Patent No.:** **US D472,973 S**

(45) **Date of Patent:** **** Apr. 8, 2003**

(54) **TWO CHAMBER FLAVORED PACIFIER**

(76) Inventors: **Kathy A. Bliss**, P.O. Box 52, Freeburg,
MO (US) 65035; **Patrick G. Bliss**, P.O.
Box 52, Freeburg, MO (US) 65035

(**) Term: **14 Years**

(21) Appl. No.: **29/164,850**

(22) Filed: **Aug. 1, 2002**

(51) **LOC (7) Cl.** **24-04**

(52) **U.S. Cl.** **D24/194**

(58) **Field of Search** D24/194; 606/234,
606/235, 236

(56) **References Cited**

U.S. PATENT DOCUMENTS

4,192,307 A	3/1980	Baer	
4,481,949 A	11/1984	Kesselring et al.	
D312,312 S	11/1990	Herritz	
5,078,734 A	1/1992	Noble	
5,123,915 A	6/1992	Miller et al.	
5,129,532 A	7/1992	Martin	
5,133,740 A	* 7/1992	Kussick	606/236

D335,186 S	*	4/1993	Ho	D24/194
D338,732 S		8/1993	Maradey-Collazo		
5,700,279 A		12/1997	Blando		
5,810,886 A		9/1998	Hassan		
D430,300 S		8/2000	Anthony, Jr.		
6,436,125 B1	*	8/2002	Rhoads	606/234

* cited by examiner

Primary Examiner—Stella Reid

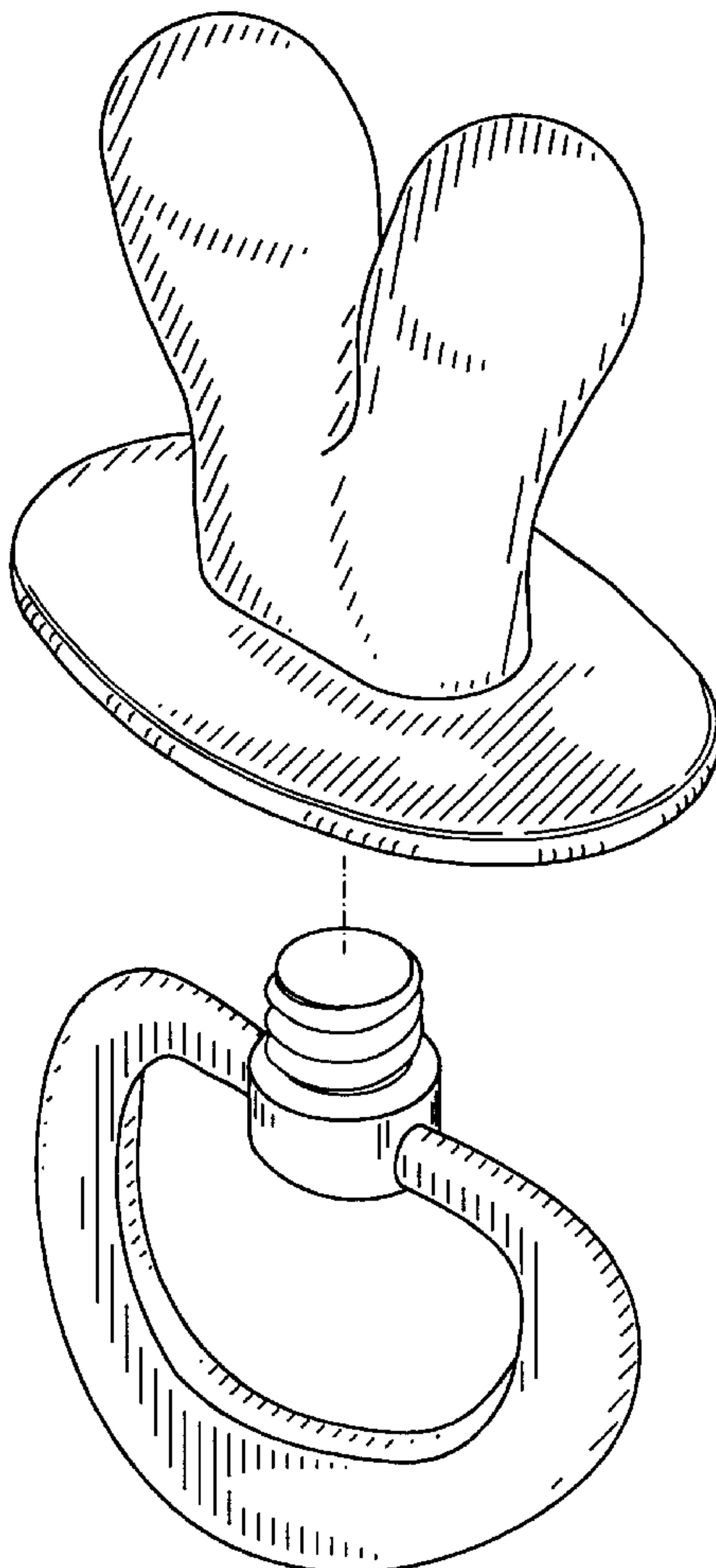
(57) **CLAIM**

The ornamental design for a two chamber flavored pacifier, as shown and described.

DESCRIPTION

FIG. 1 is a perspective view of a two chamber flavored pacifier showing our new design; FIG. 2 is a front elevational view thereof; the opposite side being a mirror image thereof; FIG. 3 is a right side elevational view thereof; the opposite side being a mirror image thereof; FIG. 4 is a top plan view; and, FIG. 5 is a bottom plan view thereof.

1 Claim, 3 Drawing Sheets



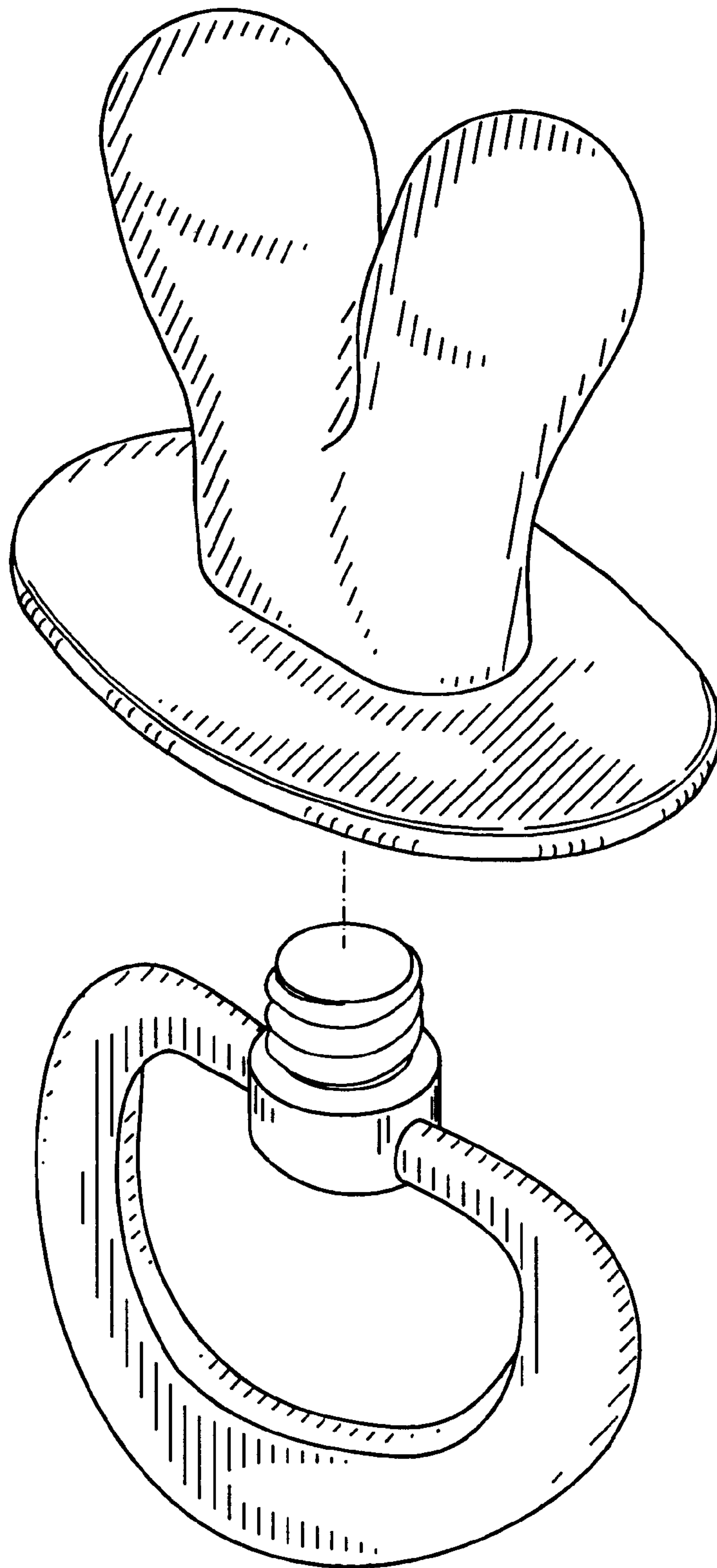


Fig. 1

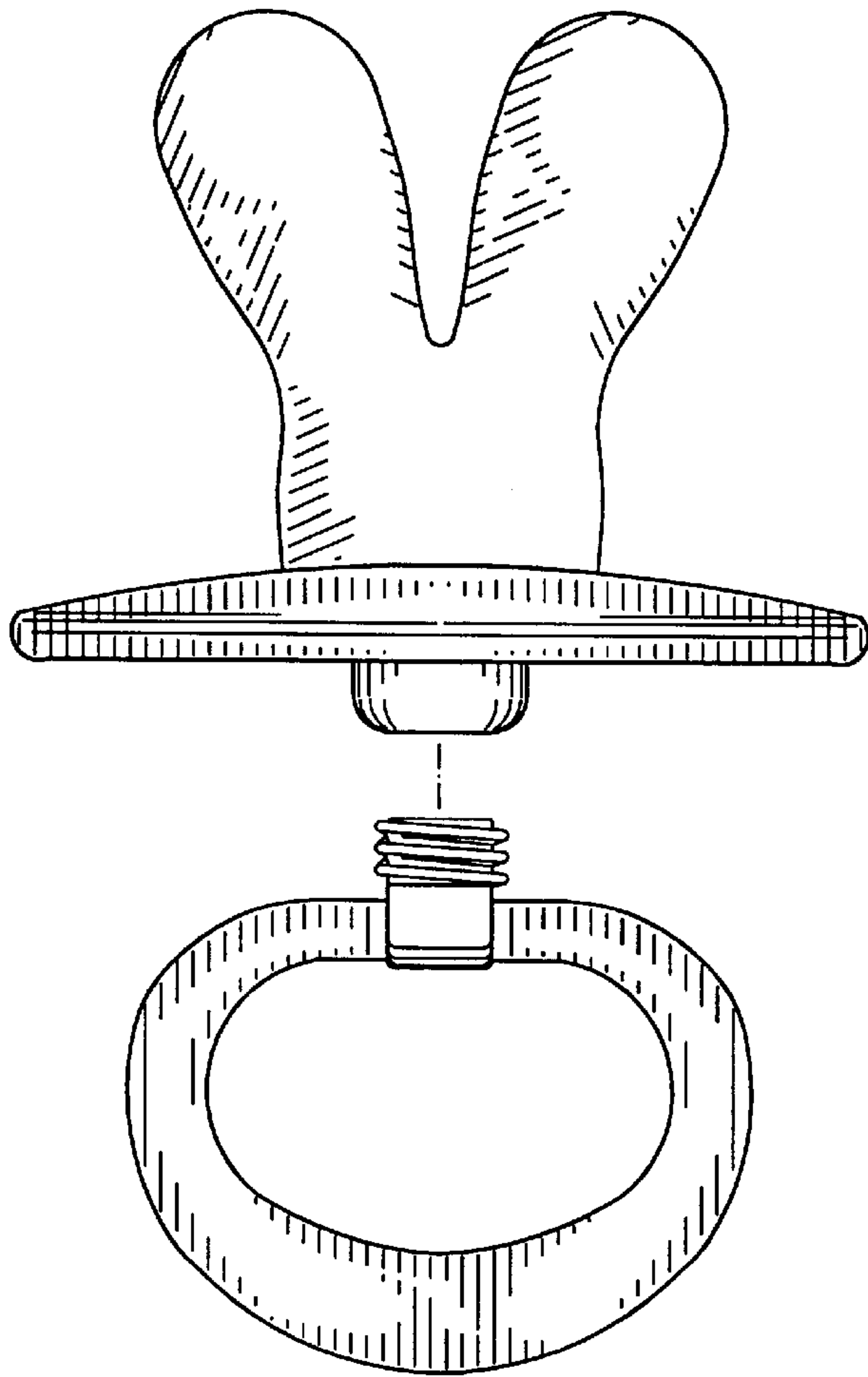


Fig. 2

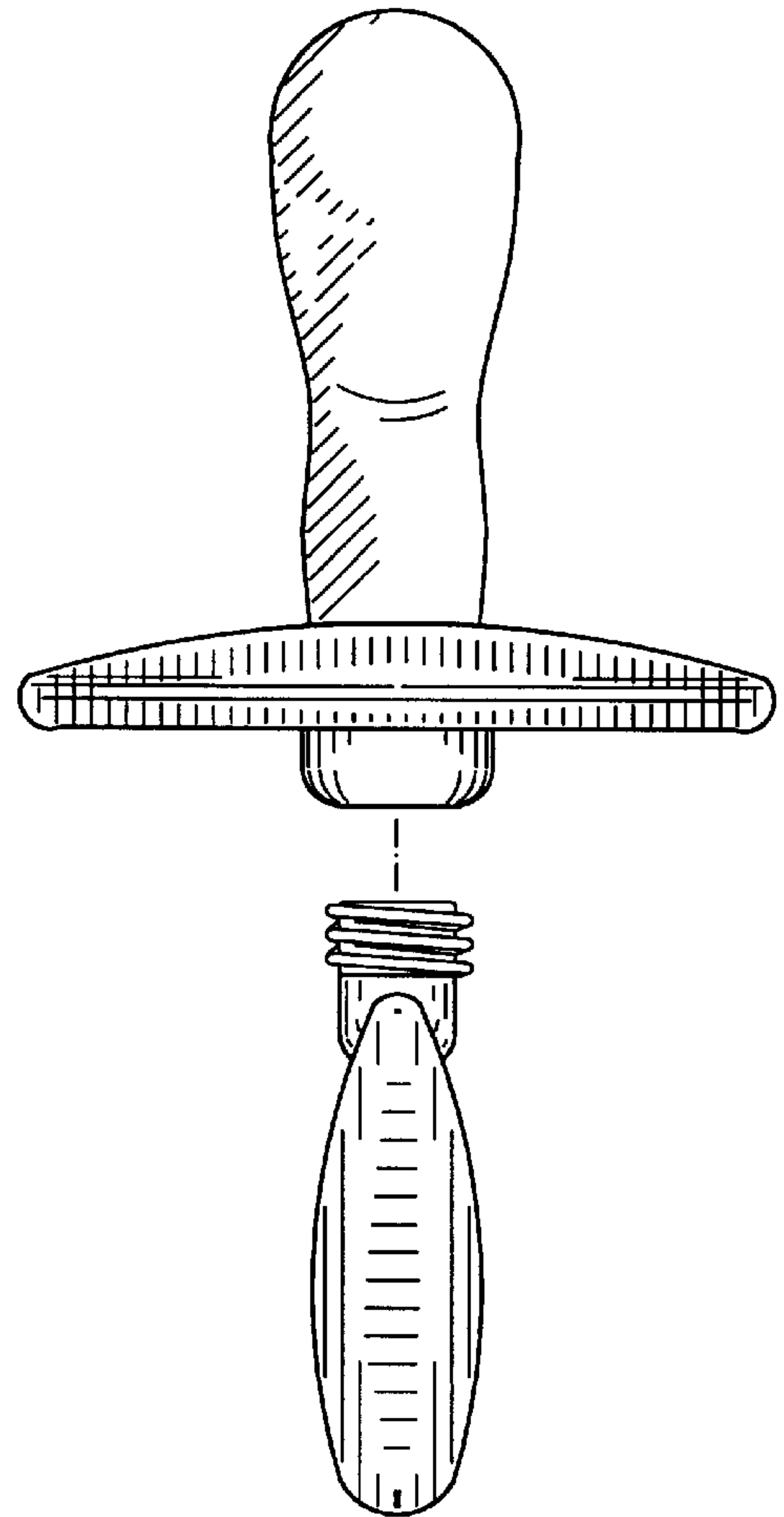


Fig. 3

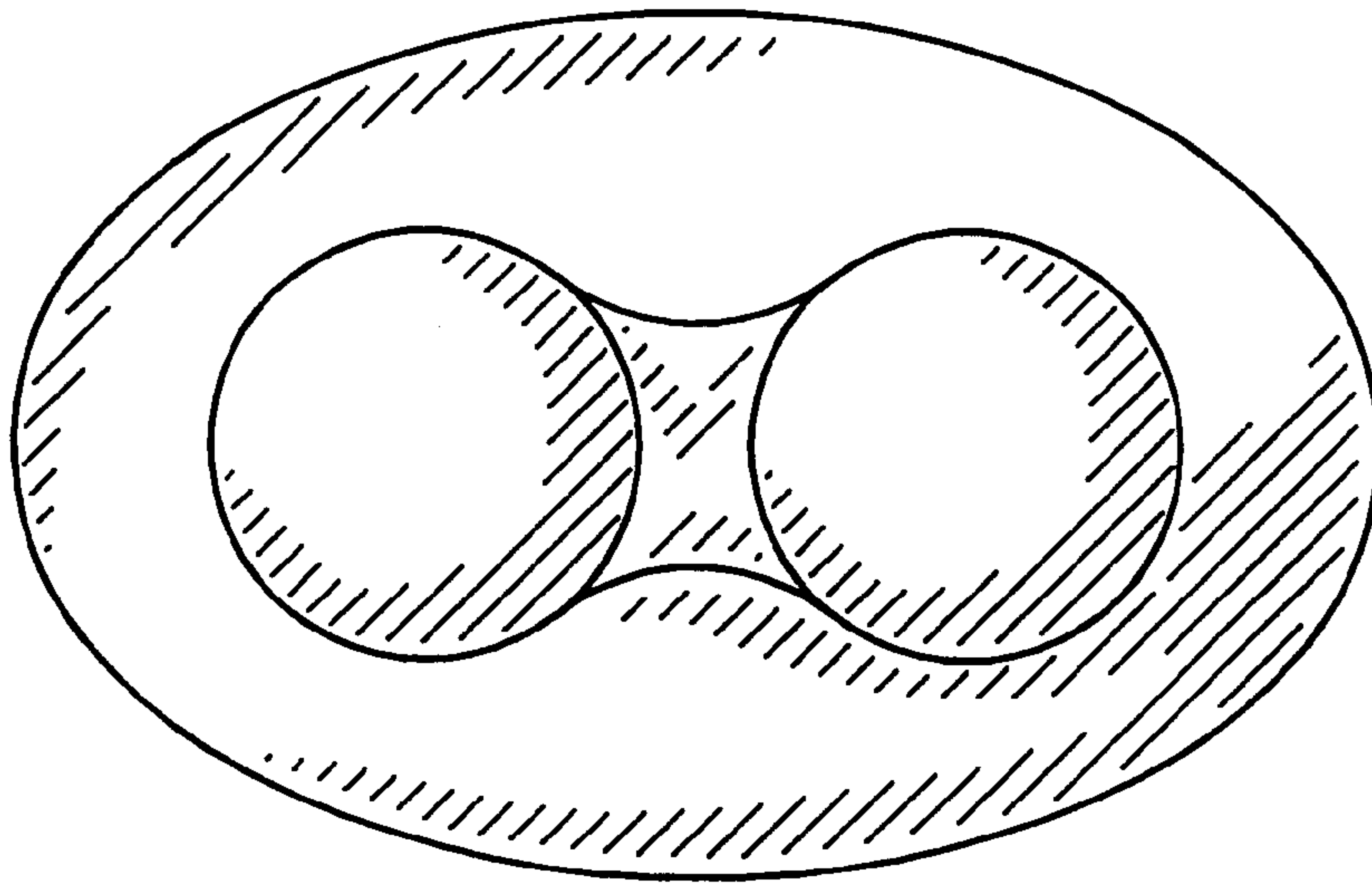


Fig. 4

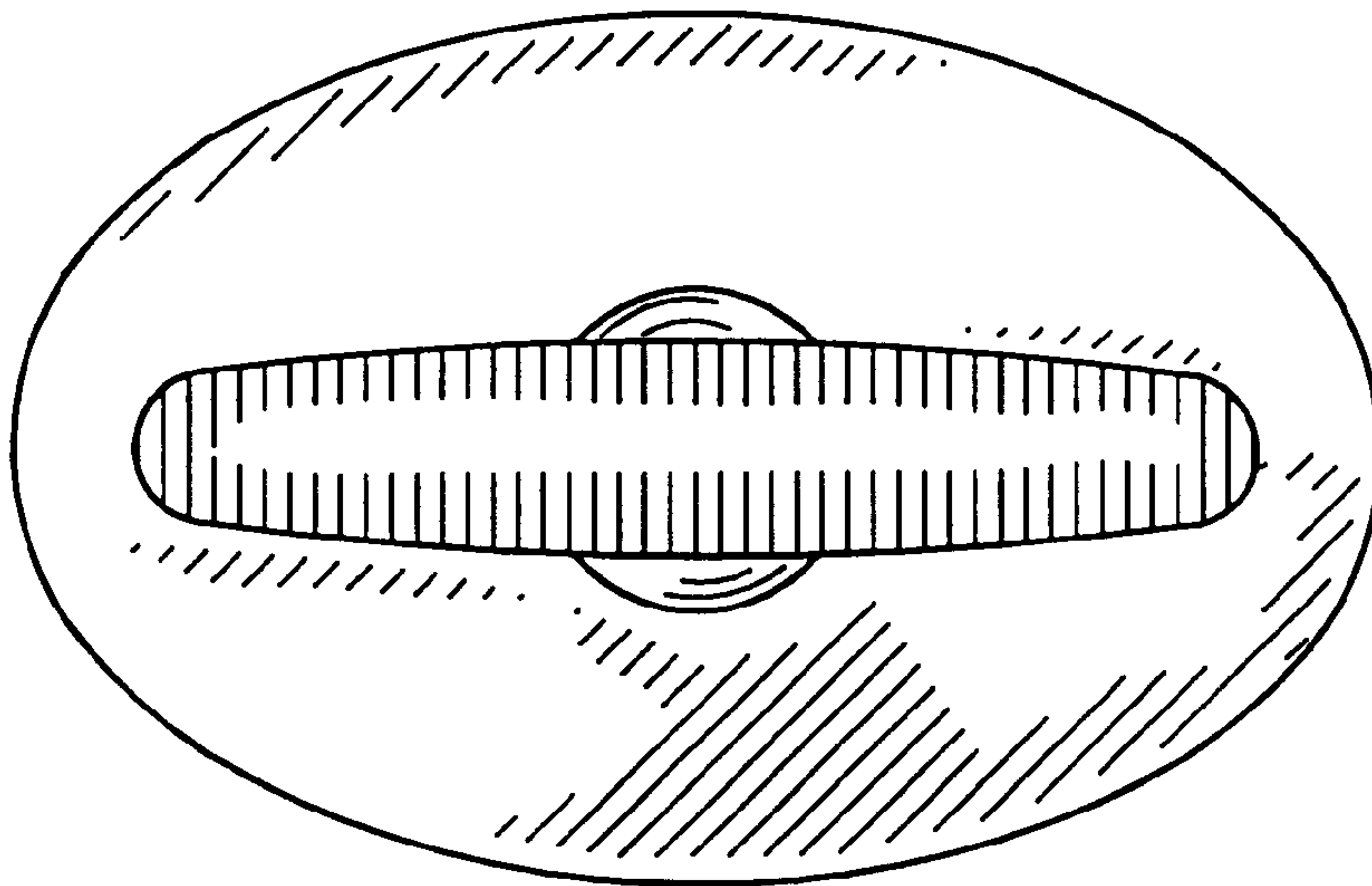


Fig. 5