



US00D472967S

(12) **United States Design Patent**
Tsai

(10) **Patent No.:** **US D472,967 S**

(45) **Date of Patent:** **** Apr. 8, 2003**

(54) **PEDESTAL FOR A BASIN**

D441,852 S * 5/2001 Smith D23/292
D455,476 S * 4/2002 Ferrer D23/293.1

(75) Inventor: **Wen-Hsien Tsai**, Chang Hua Hsien (TW)

* cited by examiner

(73) Assignee: **Chaanq Hsien Enterprise Co., Ltd.**, Chang Hwa Hsien (TW)

Primary Examiner—Louis S. Zarfes
Assistant Examiner—Robert A. Delehanty
(74) *Attorney, Agent, or Firm*—Harrison & Egbert

(**) Term: **14 Years**

(57) **CLAIM**

(21) Appl. No.: **29/164,757**

I claim the ornamental design for a pedestal for a basin, as shown and described.

(22) Filed: **Jul. 31, 2002**

(51) **LOC (7) Cl.** **23-02**

(52) **U.S. Cl.** **D23/308; D23/292**

(58) **Field of Search** D23/272–274,
D23/292, 293.1, 303, 308; 4/620, 623,
624, 643–652, 661, 638

DESCRIPTION

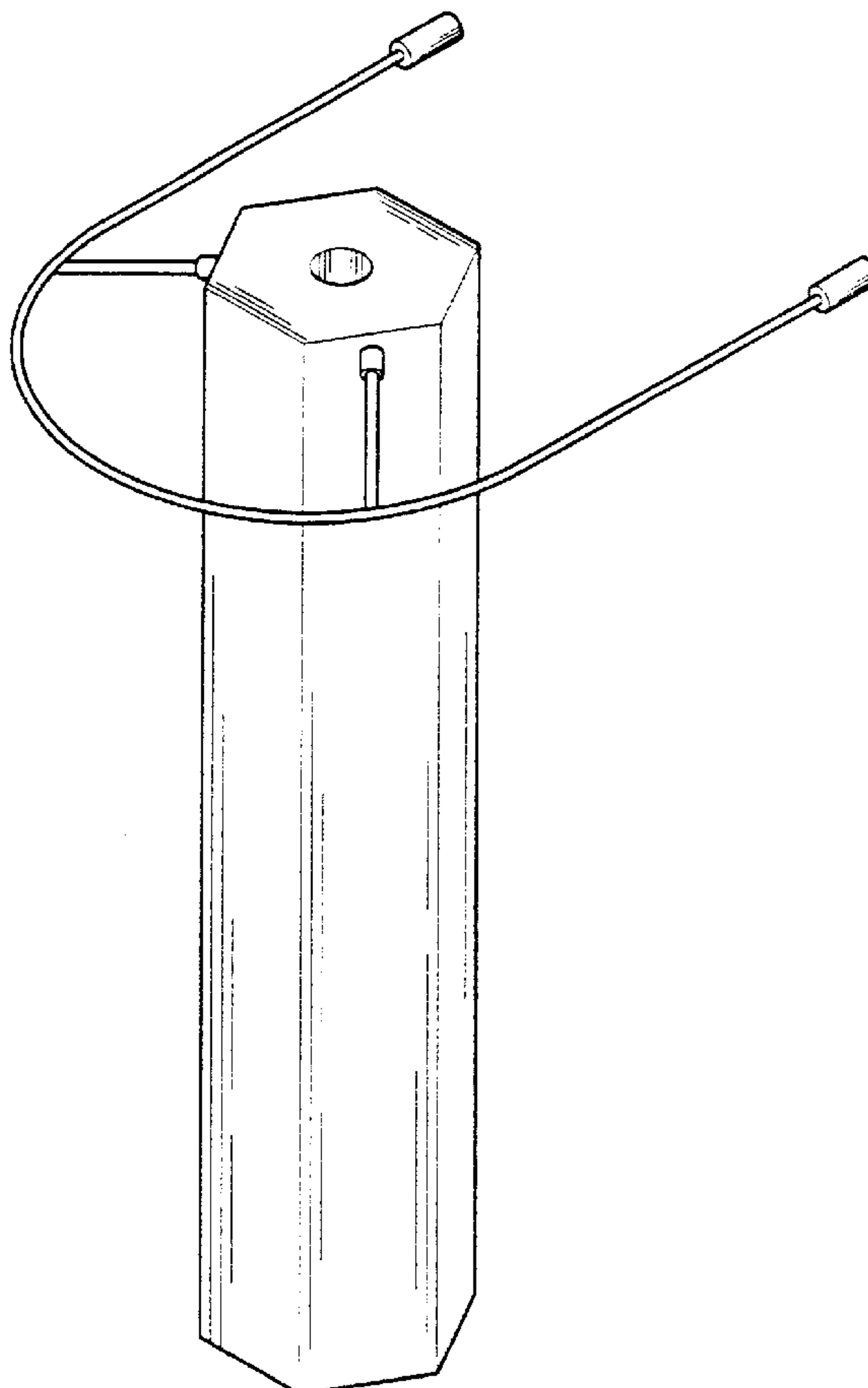
(56) **References Cited**

U.S. PATENT DOCUMENTS

- 1,187,804 A * 6/1916 Beardsley 4/619 X
- D88,713 S * 12/1930 Kohler et al. D23/291
- D353,882 S * 12/1994 Buzby D23/271
- D367,107 S * 2/1996 Kohler, Jr. et al. D23/292
- 5,628,075 A * 5/1997 Dudnik et al. 4/645
- D395,076 S * 6/1998 Bennett et al. D23/292

FIG. 1 is an upper perspective view of the pedestal for a basin showing my design.
 FIG. 2 is a front view thereof;
 FIG. 3 is a back view thereof;
 FIG. 4 is a side view thereof;
 FIG. 5 is an opposite side view thereof;
 FIG. 6 is a top view thereof;
 FIG. 7 is a bottom view thereof; and,
 FIG. 8 is an upper perspective view thereof showing an attachment.
 The broken line showing of a sink in FIG. 8 is for illustrative purposes only and forms no part of the claimed design.

1 Claim, 5 Drawing Sheets



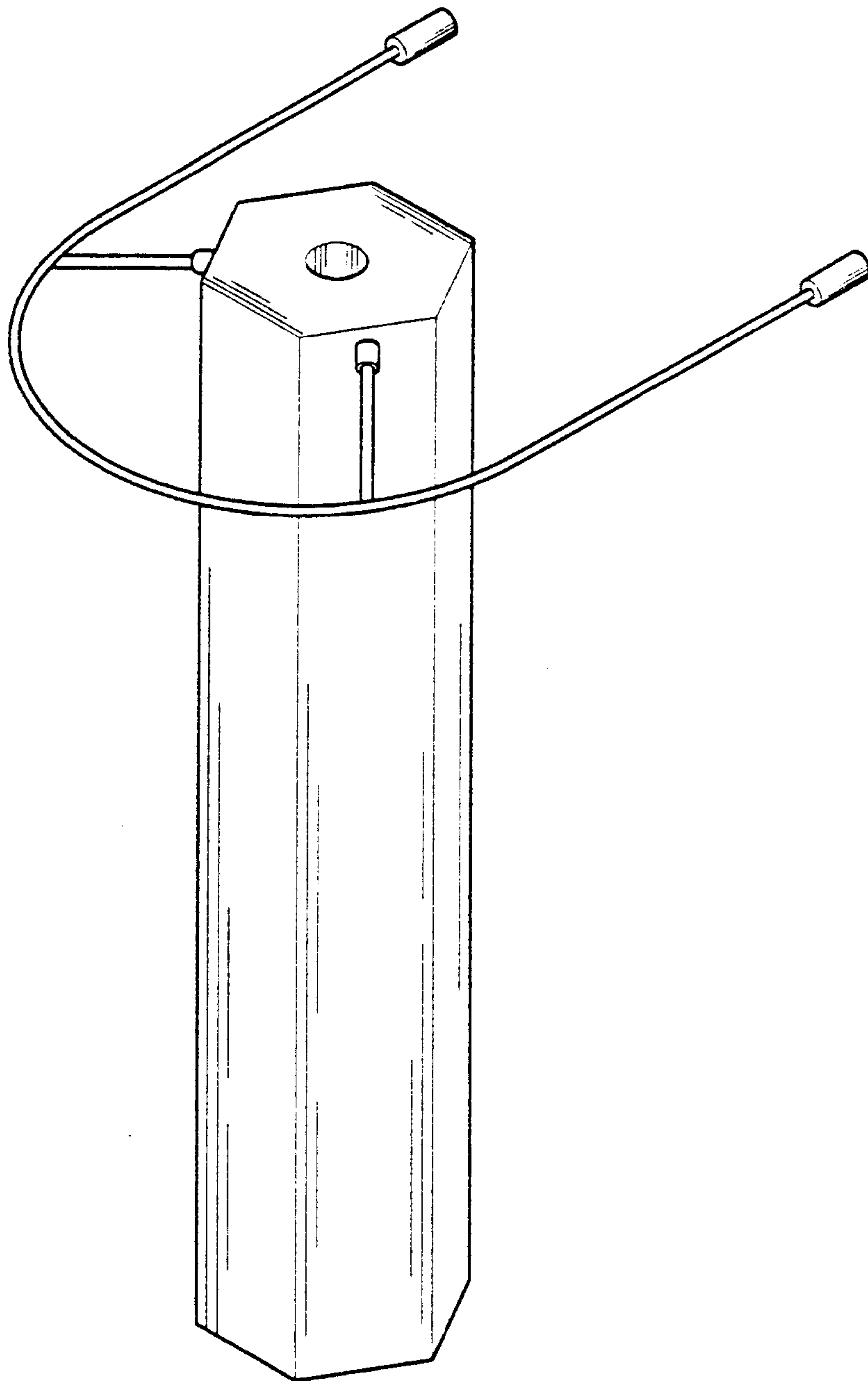


FIG.1

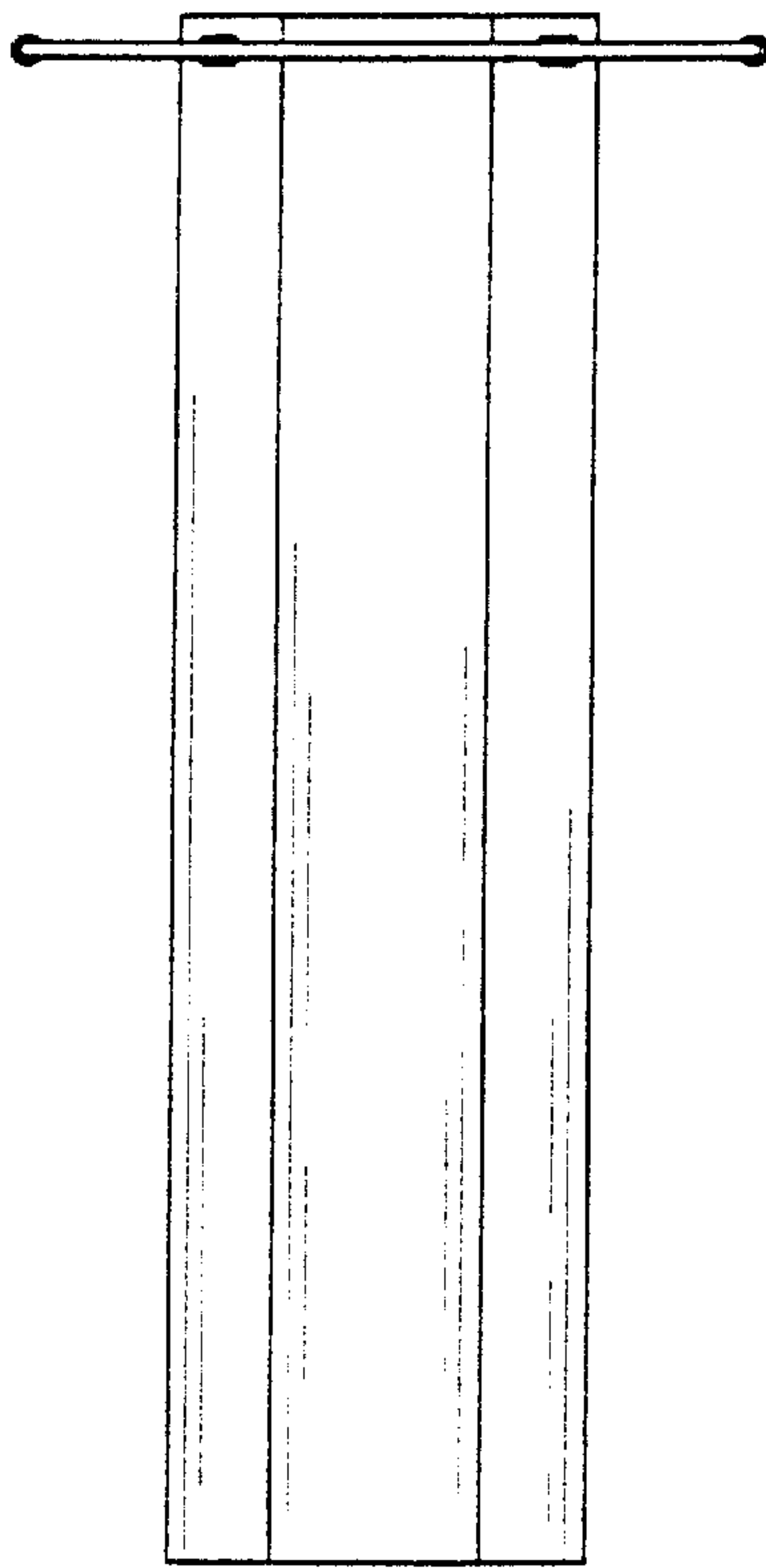


FIG. 2

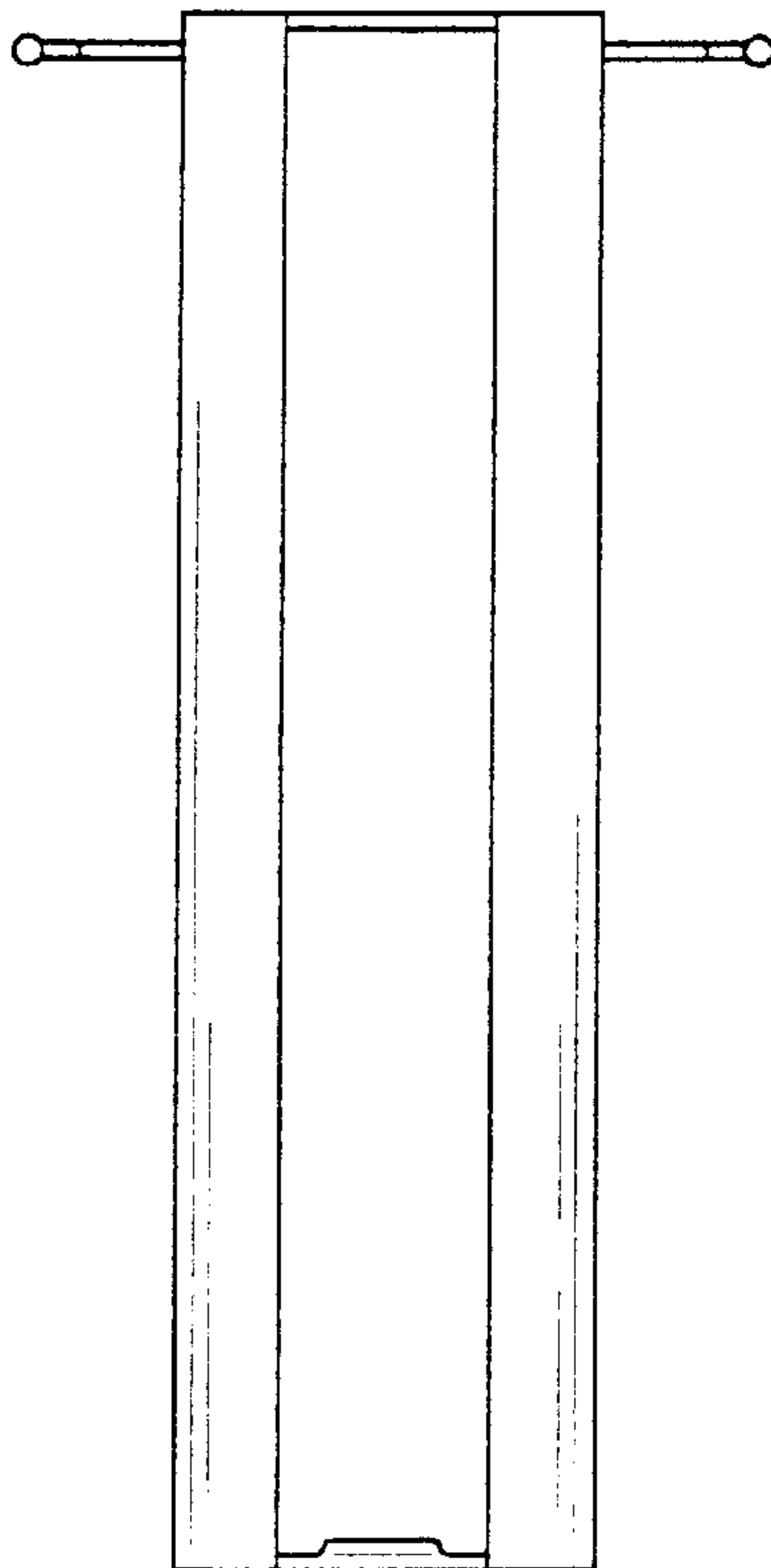


FIG. 3

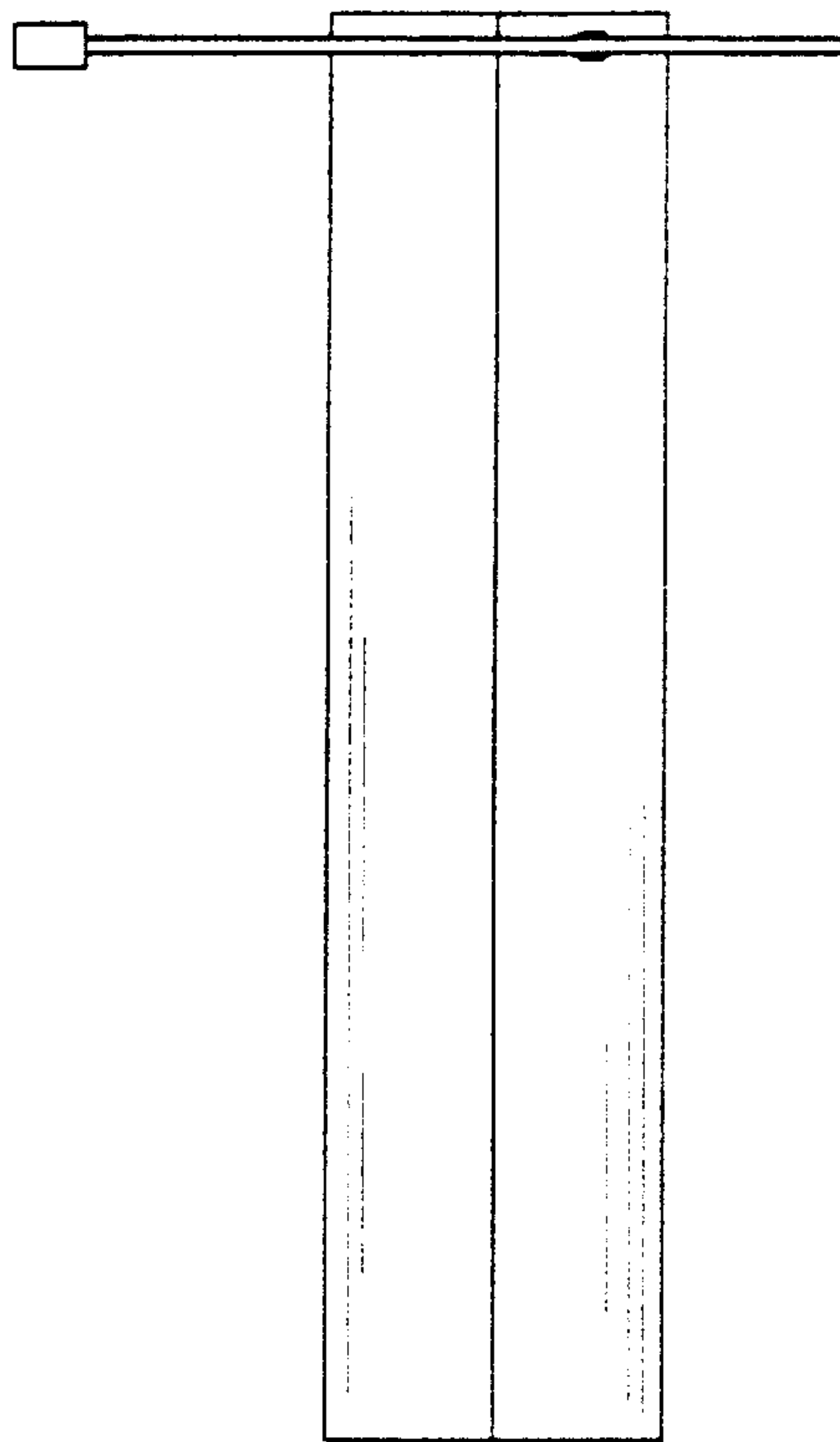


FIG. 4

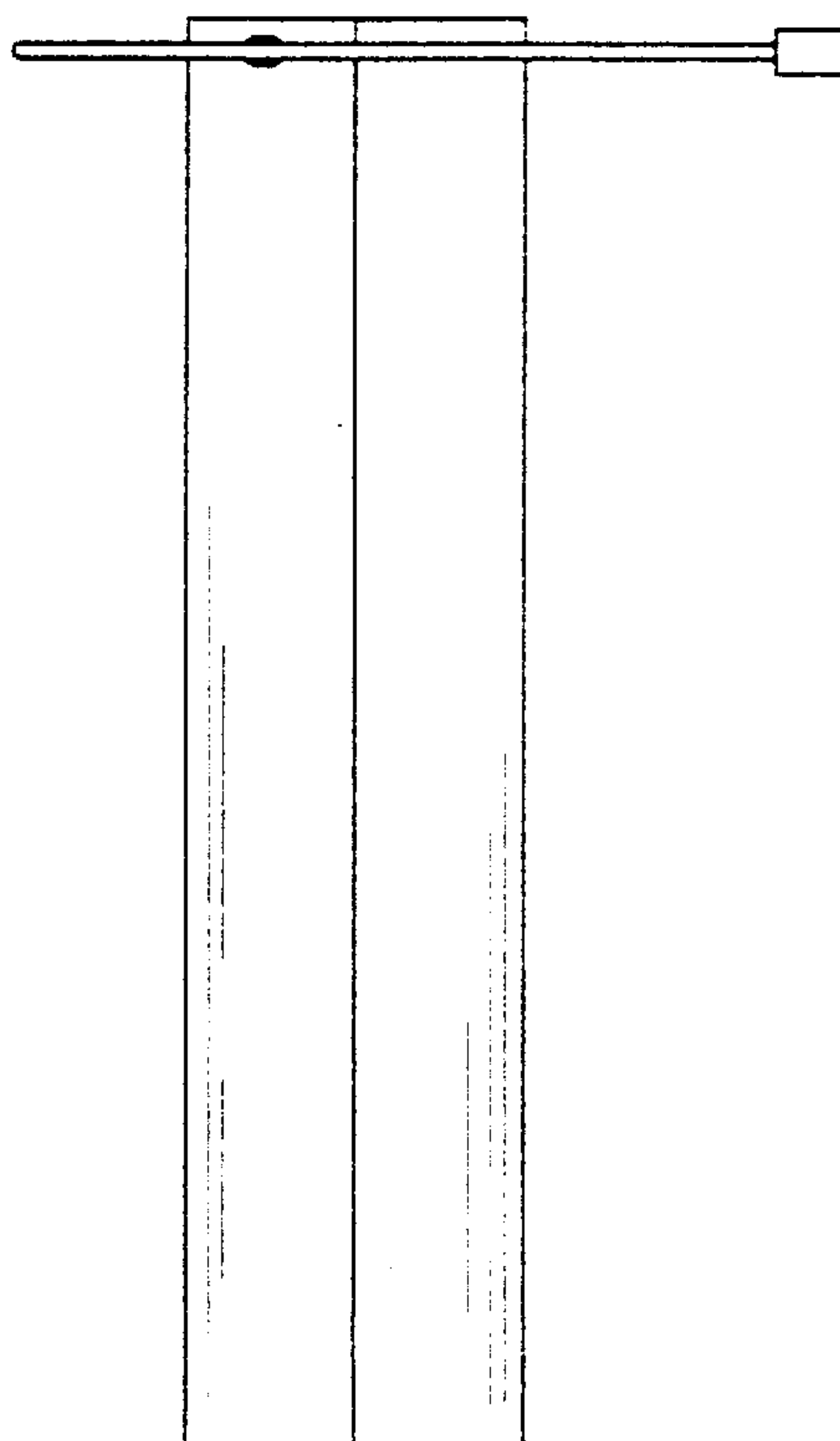


FIG. 5

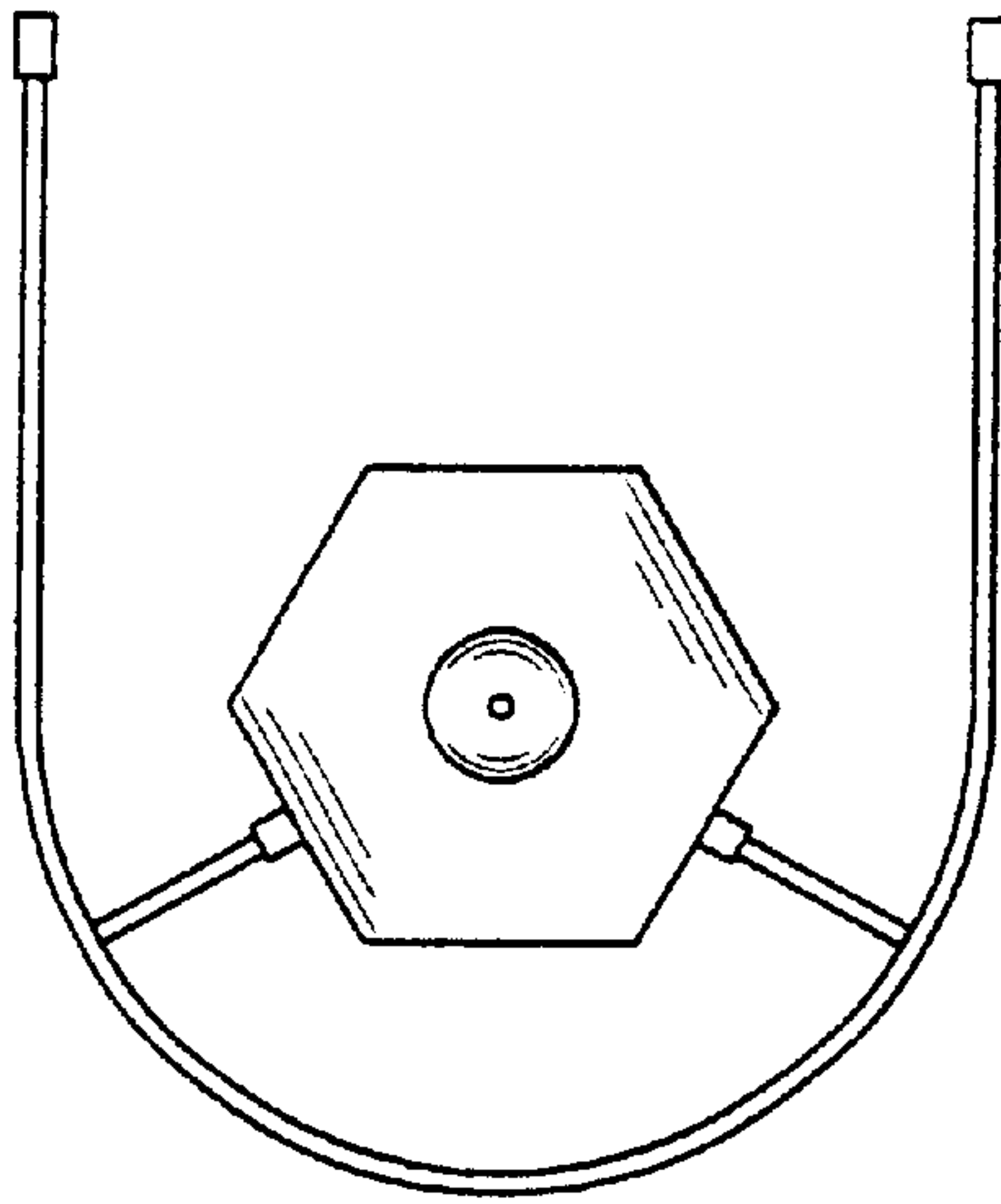


FIG. 6

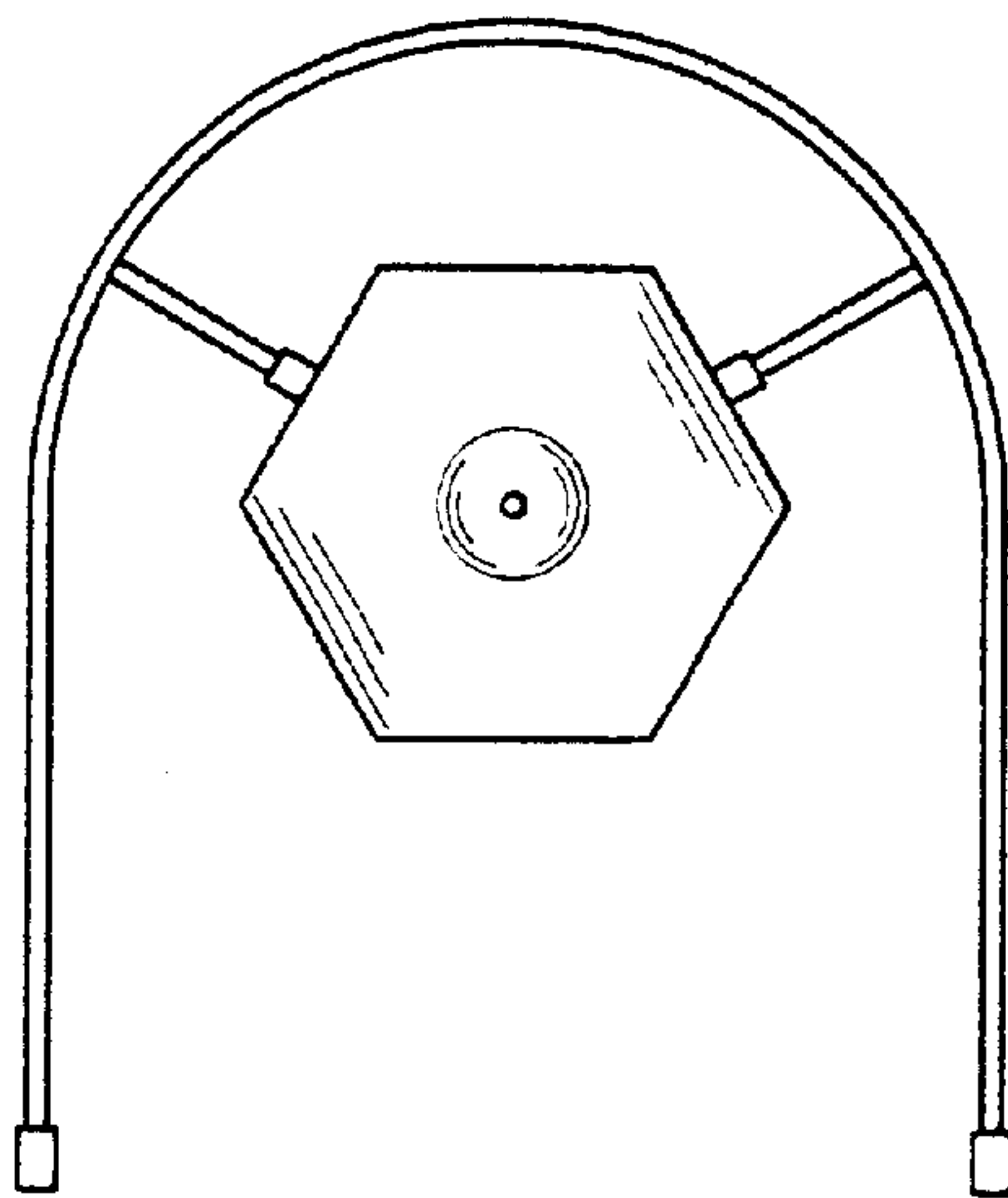


FIG. 7

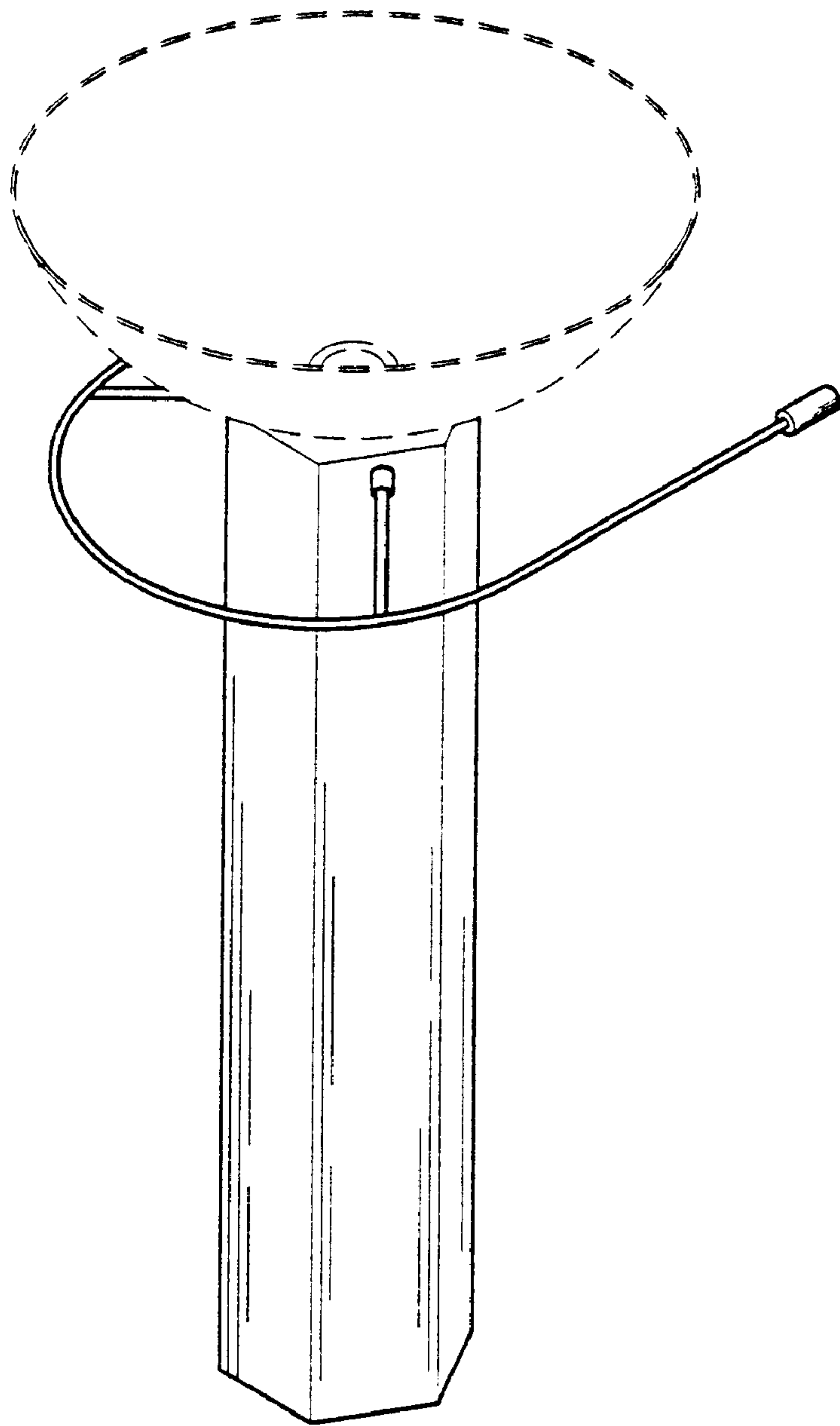


FIG. 8