



US00D472965S

(12) **United States Design Patent**  
**Kawamura et al.**

(10) **Patent No.:** **US D472,965 S**

(45) **Date of Patent:** **\*\* Apr. 8, 2003**

(54) **WATER CLOSET**

(75) Inventors: **Sejiro Kawamura**, Fukuoka (JP);  
**Minoru Tani**, Fukuoka (JP)

(73) Assignee: **Toto Ltd.**, Fukuoka (JP)

(\*\*) Term: **14 Years**

(21) Appl. No.: **29/155,736**

(22) Filed: **Feb. 19, 2002**

(30) **Foreign Application Priority Data**

Dec. 13, 2001 (JP) ..... 2001-036634

(51) **LOC (7) Cl.** ..... **23-02**

(52) **U.S. Cl.** ..... **D23/301**

(58) **Field of Search** ..... D23/270-271,  
D23/273-274, 295-301, 303, 309, 313;  
4/663-664, 300, 329, 353-354, 321, 316,  
420, 420.3, 443-446, 449, 459, 460, 902,  
DIG. 11, DIG. 12, DIG. 15, DIG. 17

(56) **References Cited**

**U.S. PATENT DOCUMENTS**

D323,551 S \* 1/1992 Fait ..... D23/301  
D326,904 S \* 6/1992 Waldren ..... D23/301

D438,939 S \* 3/2001 Kawamura ..... D23/295  
D443,346 S \* 6/2001 Kawamura ..... D23/295  
D453,556 S \* 2/2002 Kawamura ..... D23/301  
D457,607 S \* 5/2002 Moll ..... D23/301  
D460,811 S \* 7/2002 Moll ..... D23/301

\* cited by examiner

*Primary Examiner*—Louis S. Zarfes

*Assistant Examiner*—Robert A. Delehanty

(74) *Attorney, Agent, or Firm*—Birch, Stewart, Kolasch &  
Birch LLP

(57) **CLAIM**

The ornamental design for water closet, as shown and described.

**DESCRIPTION**

FIG. 1 is a front perspective view of a water closet showing our new design;  
FIG. 2 is a front elevational view thereof;  
FIG. 3 is a rear elevational view thereof;  
FIG. 4 is a top plan view thereof;  
FIG. 5 is a bottom plan view thereof;  
FIG. 6 is a right side elevational view thereof; and,  
FIG. 7 is a left side elevational view thereof.

**1 Claim, 3 Drawing Sheets**

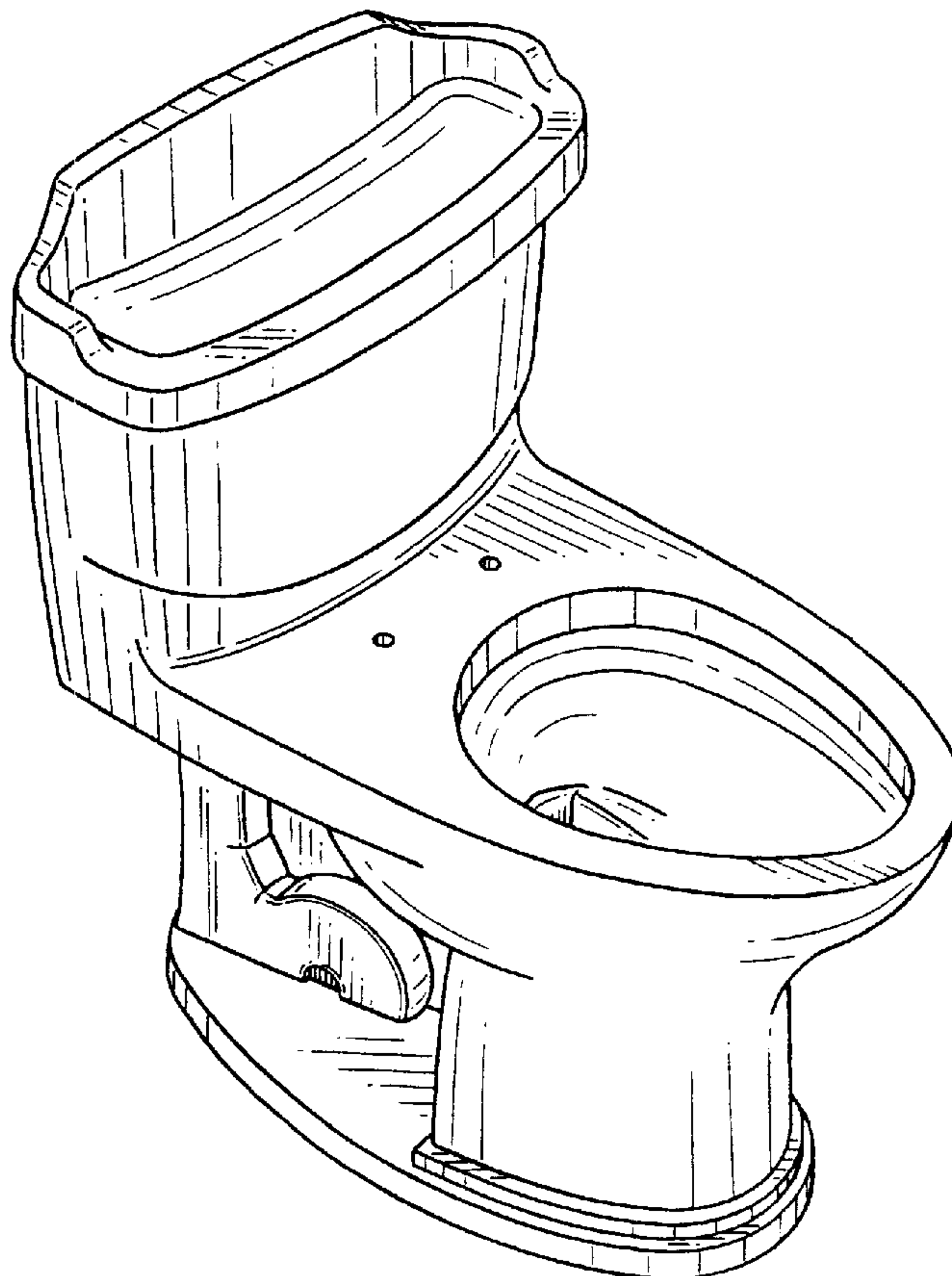


FIG. 1

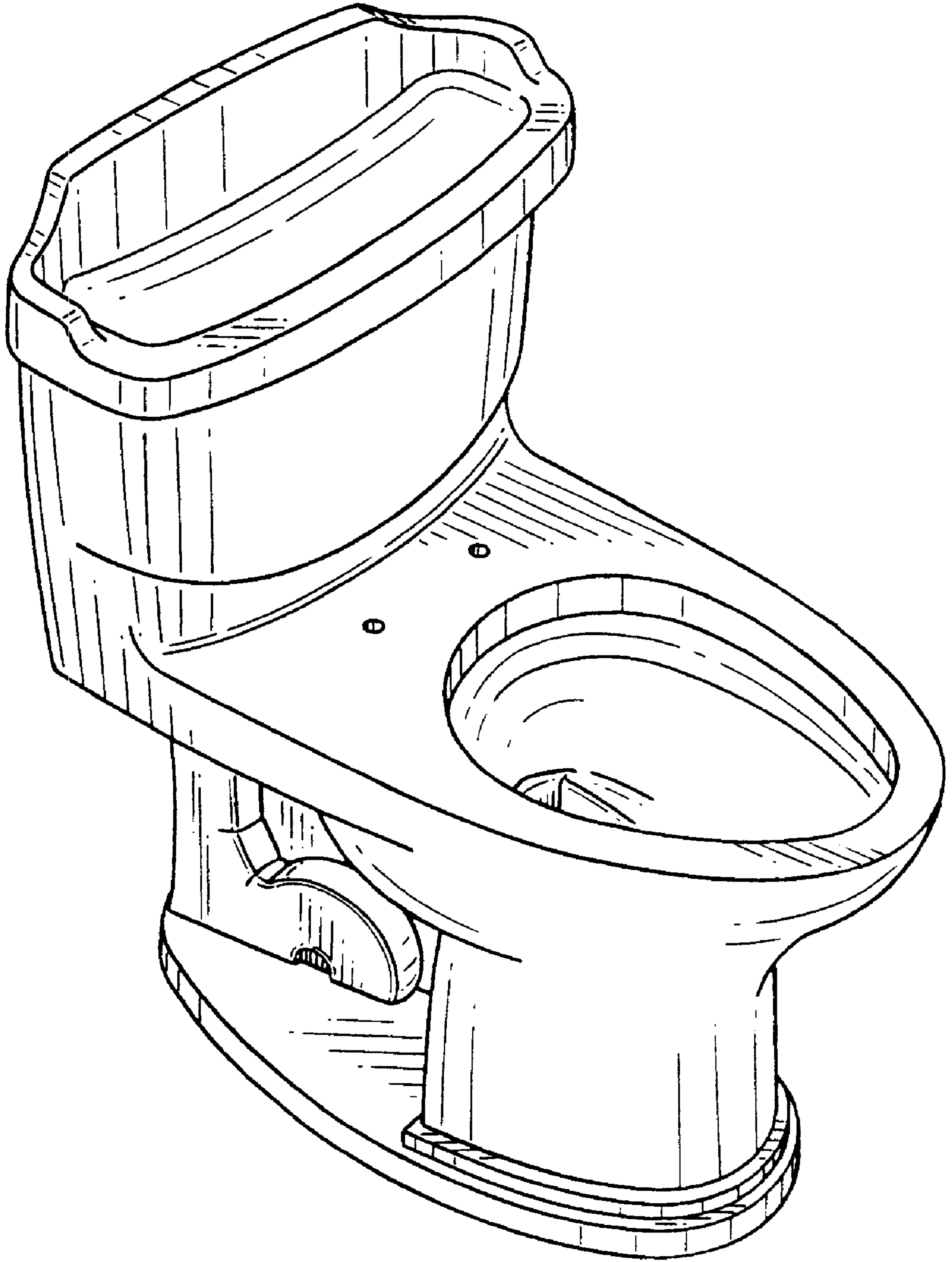


FIG. 2

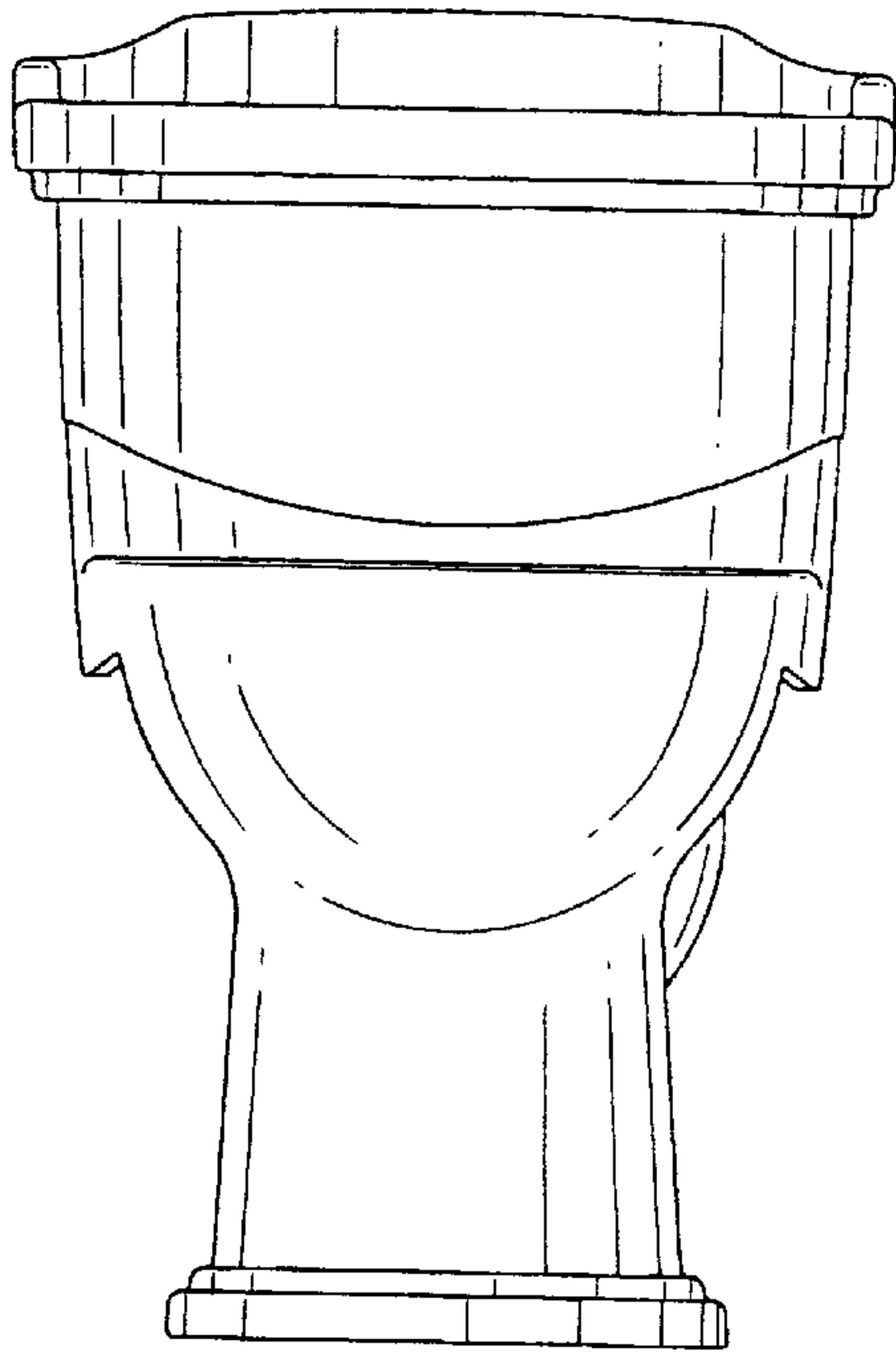


FIG. 4

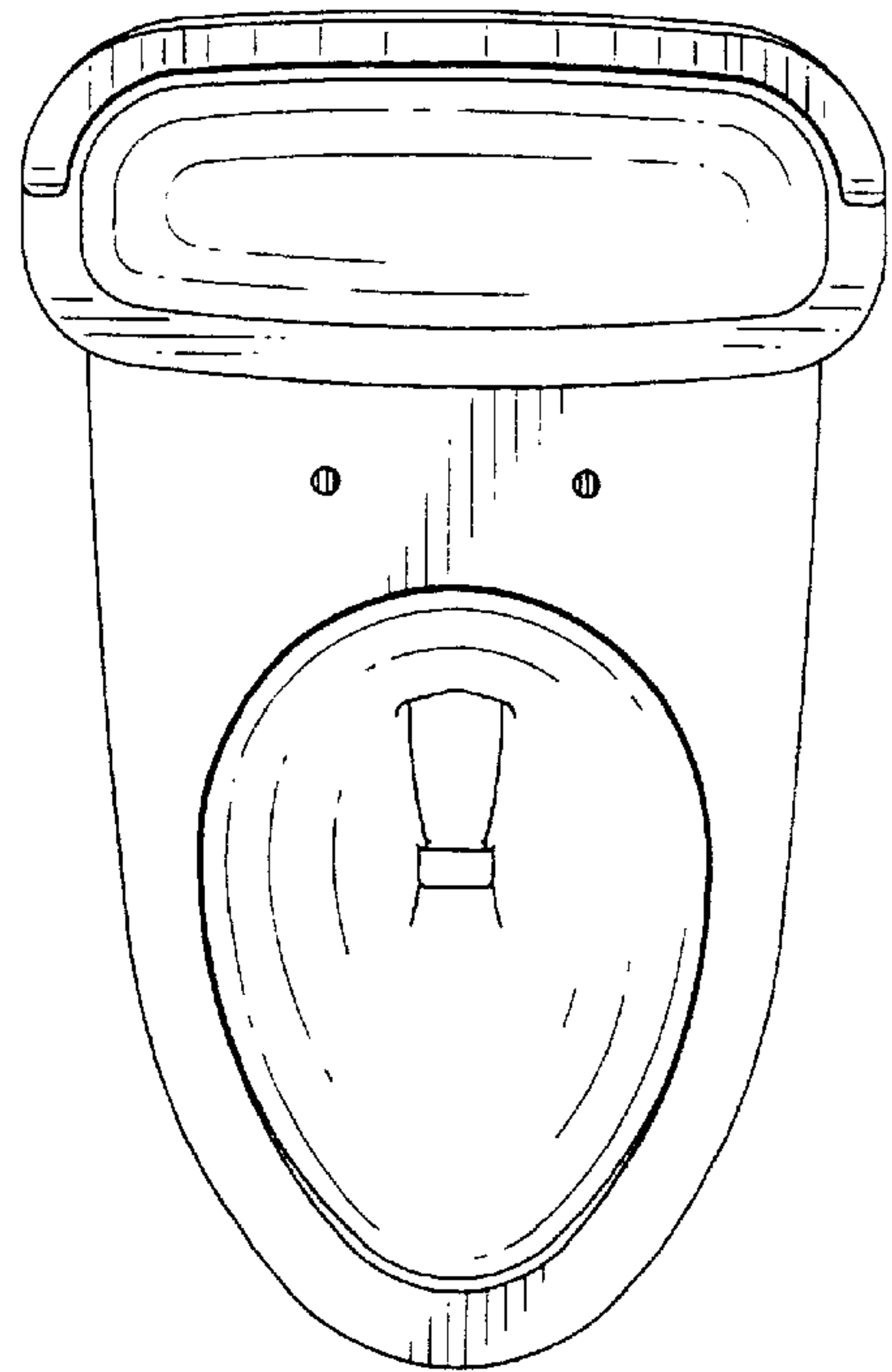


FIG. 3

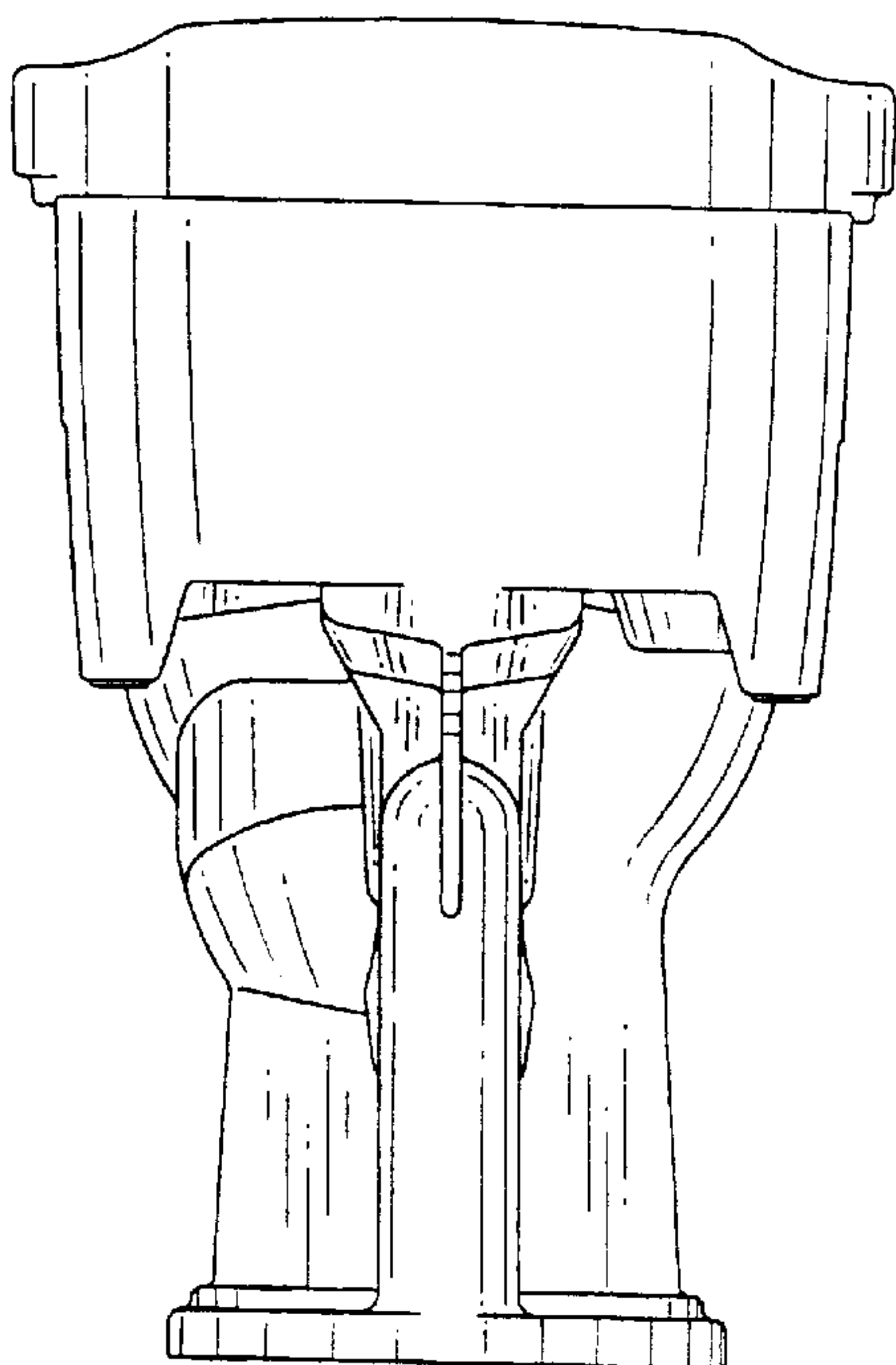


FIG. 5

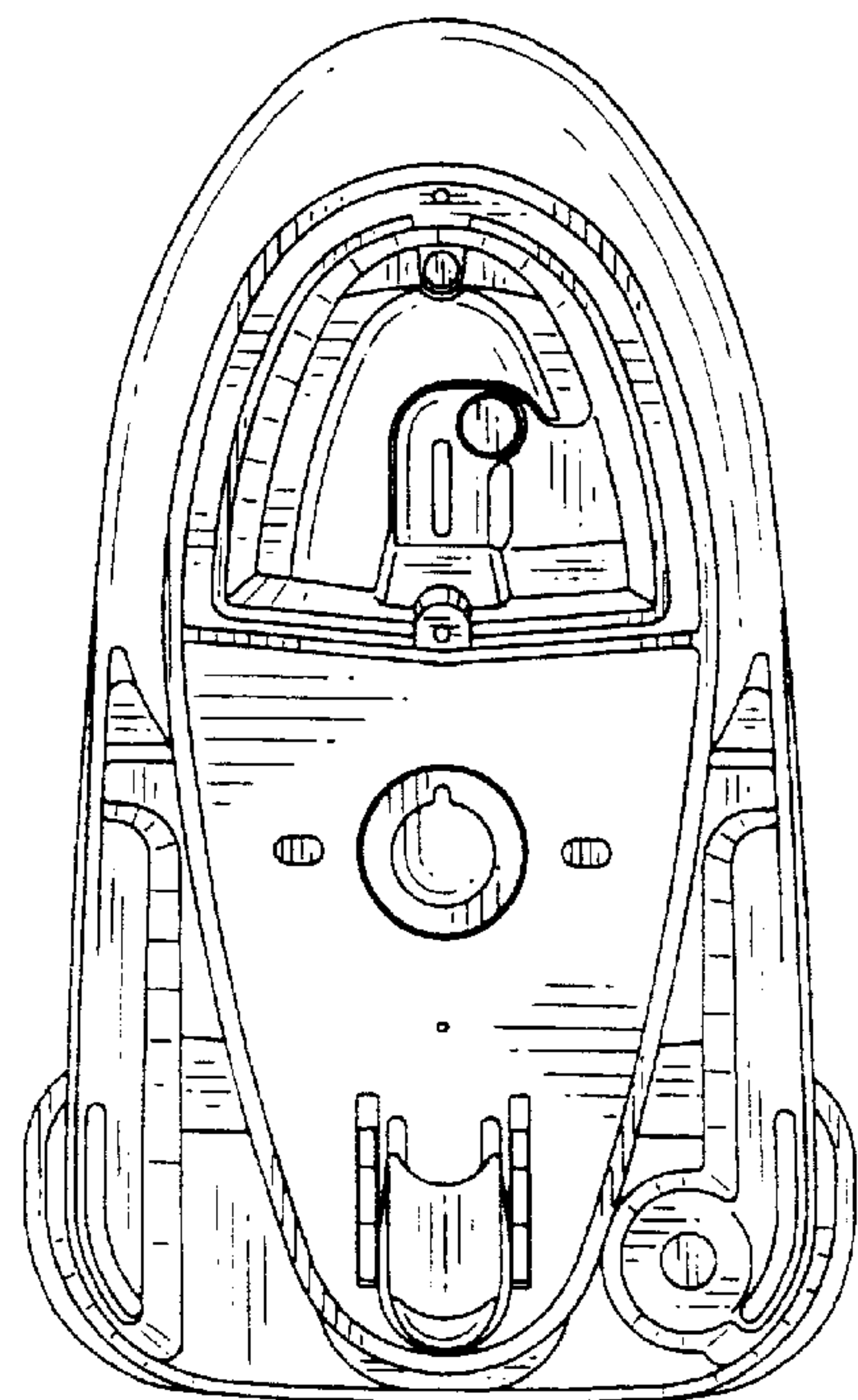


FIG. 6

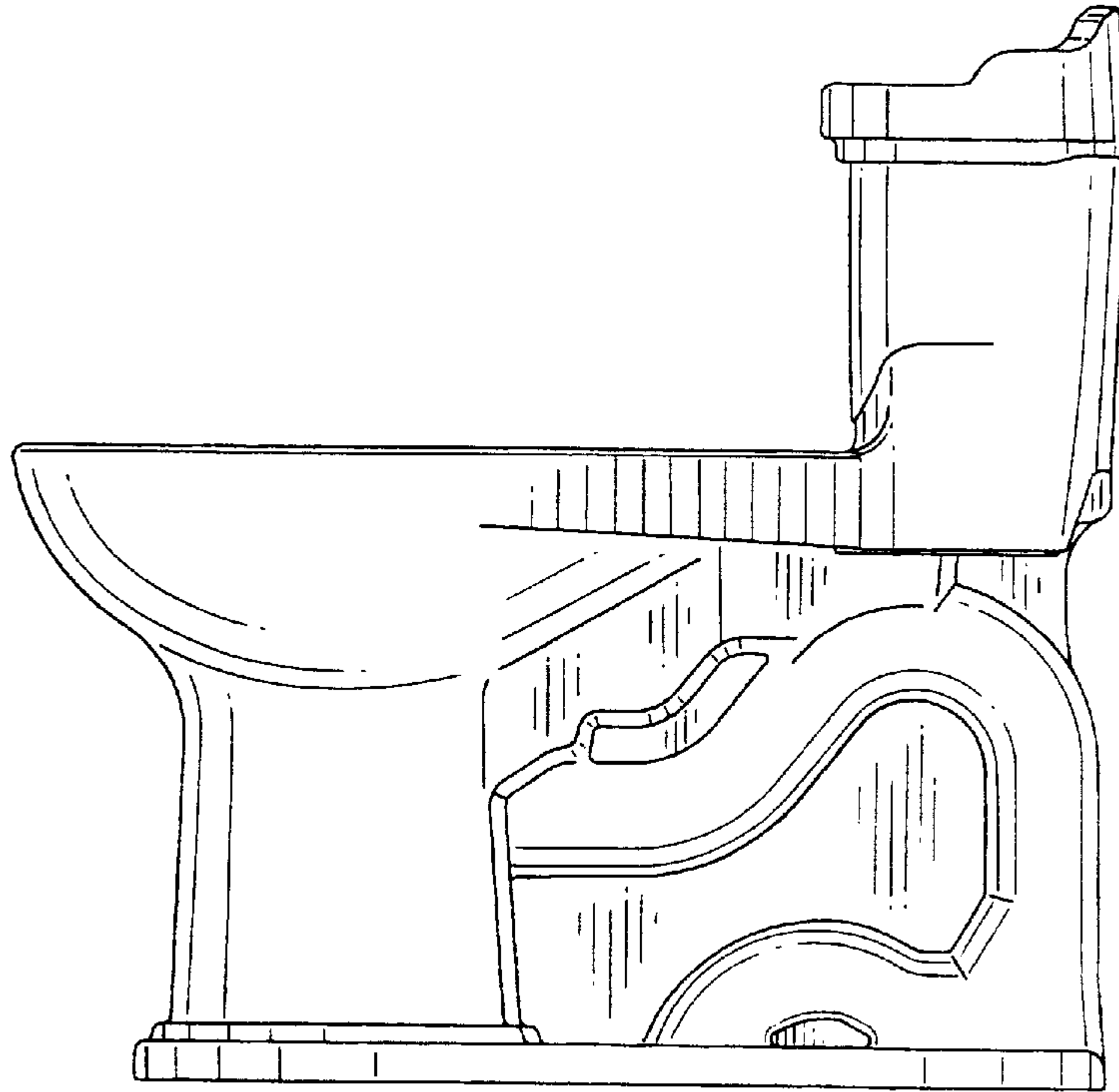


FIG. 7

