



US00D472962S

(12) **United States Design Patent**  
**Tripp et al.**

(10) **Patent No.:** **US D472,962 S**

(45) **Date of Patent:** **\*\* Apr. 8, 2003**

(54) **VALVE HANDLE**

(75) Inventors: **Robert Tripp**, Riverside, IL (US);  
**Peter Berkman**, Highland Park, IL (US)

(73) Assignee: **B&K Industries, Inc.**, Elk Grove Village, IL (US)

(\*\*) Term: **14 Years**

(21) Appl. No.: **29/163,321**

(22) Filed: **Jul. 1, 2002**

(51) **LOC (7) Cl.** ..... **23-01**

(52) **U.S. Cl.** ..... **D23/252**

(58) **Field of Search** ..... D23/238-243,  
D23/245, 250-257, 233, 260; D8/300-322,  
350-353, DIG. 3; 16/110.1; 4/675-678;  
137/801

(56) **References Cited**

**U.S. PATENT DOCUMENTS**

D242,921 S	1/1977	Bake et al.	
D249,803 S	10/1978	Okano	
D252,339 S	7/1979	Okano	
D252,340 S	7/1979	Okano	
D281,858 S	* 12/1985	Barrows, II et al.	D8/352
D289,544 S	* 4/1987	Doman	D28/250
D299,051 S	12/1988	Torstensson	

D324,726 S	3/1992	Bonnell	
D373,623 S	* 9/1996	Mathison	D23/260
D411,872 S	7/1999	Mirth et al.	
D425,181 S	* 5/2000	Lewis	D23/254
D426,870 S	6/2000	Selepouchin	
D432,633 S	10/2000	Higgins et al.	
D432,634 S	10/2000	Higgins et al.	
D433,105 S	10/2000	Mirth et al.	
D441,055 S	4/2001	Fleischmann	

\* cited by examiner

*Primary Examiner*—Louis S. Zarfaz

*Assistant Examiner*—Gregory Andoll

(74) *Attorney, Agent, or Firm*—Harness, Dickey & Pierce, P.L.C.

(57) **CLAIM**

The ornamental design for a valve handle, as shown and described.

**DESCRIPTION**

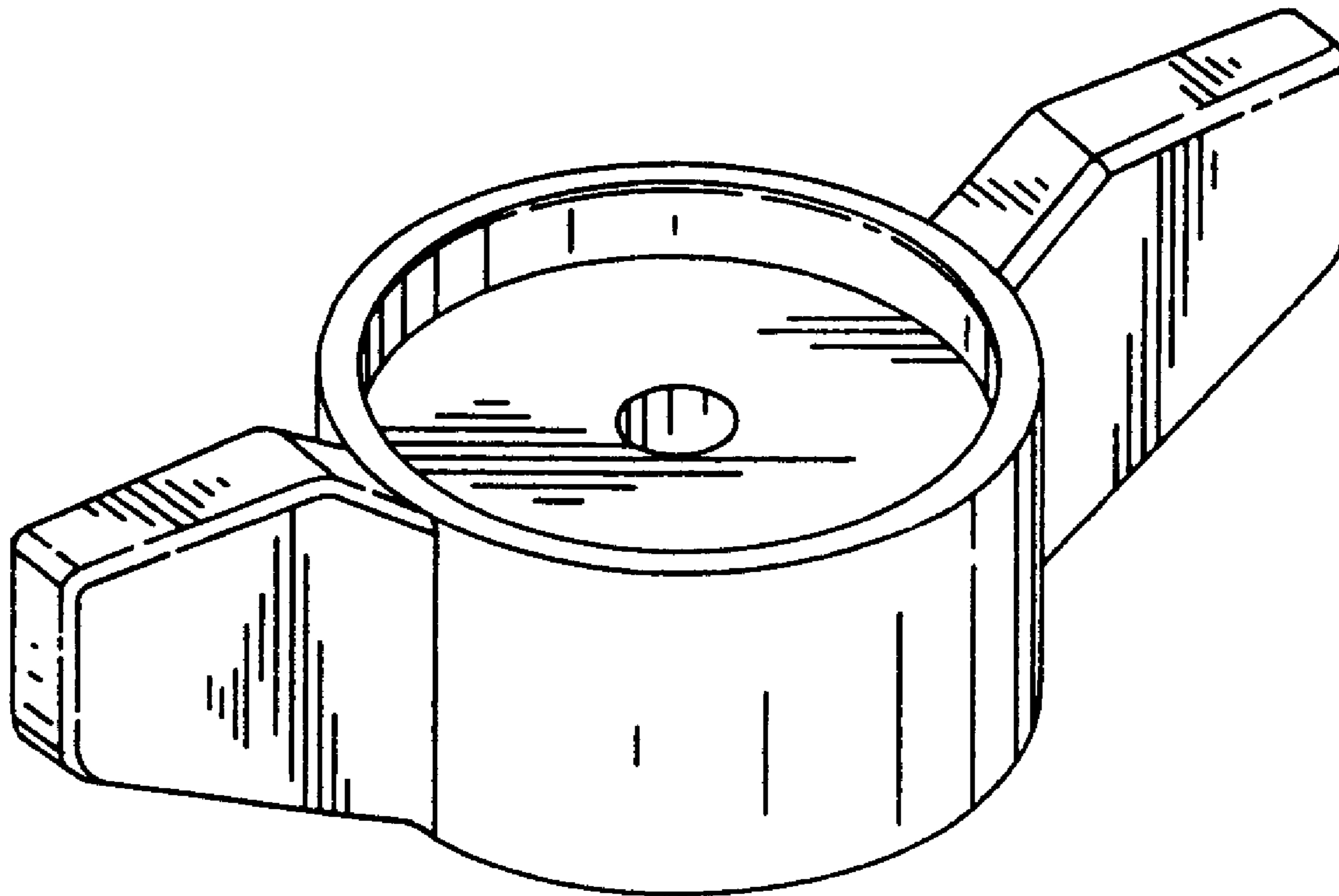
FIG. 1 is a perspective view of a valve handle showing the present invention;

FIG. 2 is a top plan view thereof, and the bottom view is not illustrated as it forms no part of the present invention;

FIG. 3 is a front elevational view thereof, the rear elevational view thereof is identical; and,

FIG. 4 is a right side elevational view thereof, the left side elevational view thereof is identical.

**1 Claim, 1 Drawing Sheet**



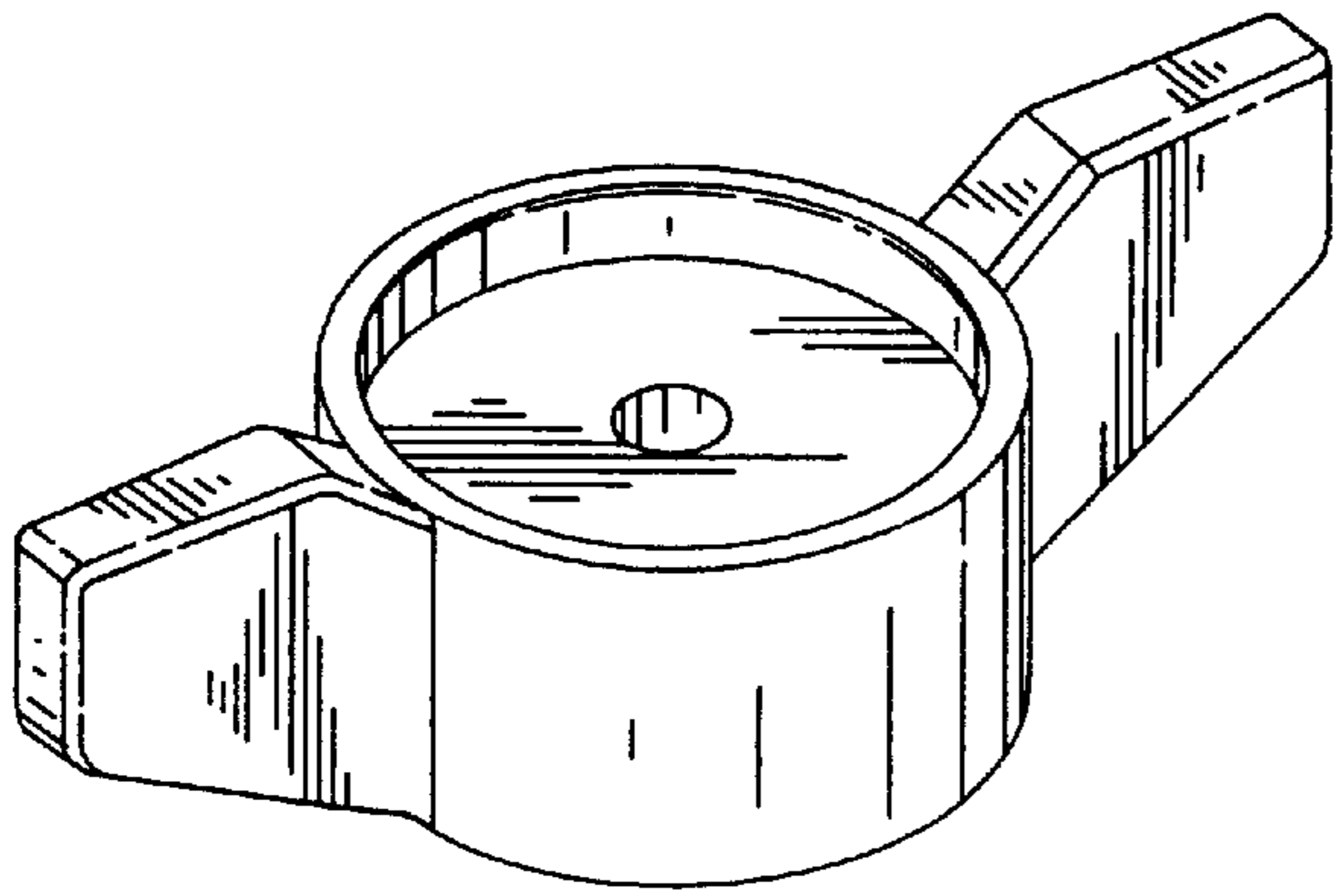


FIG 1

FIG 2

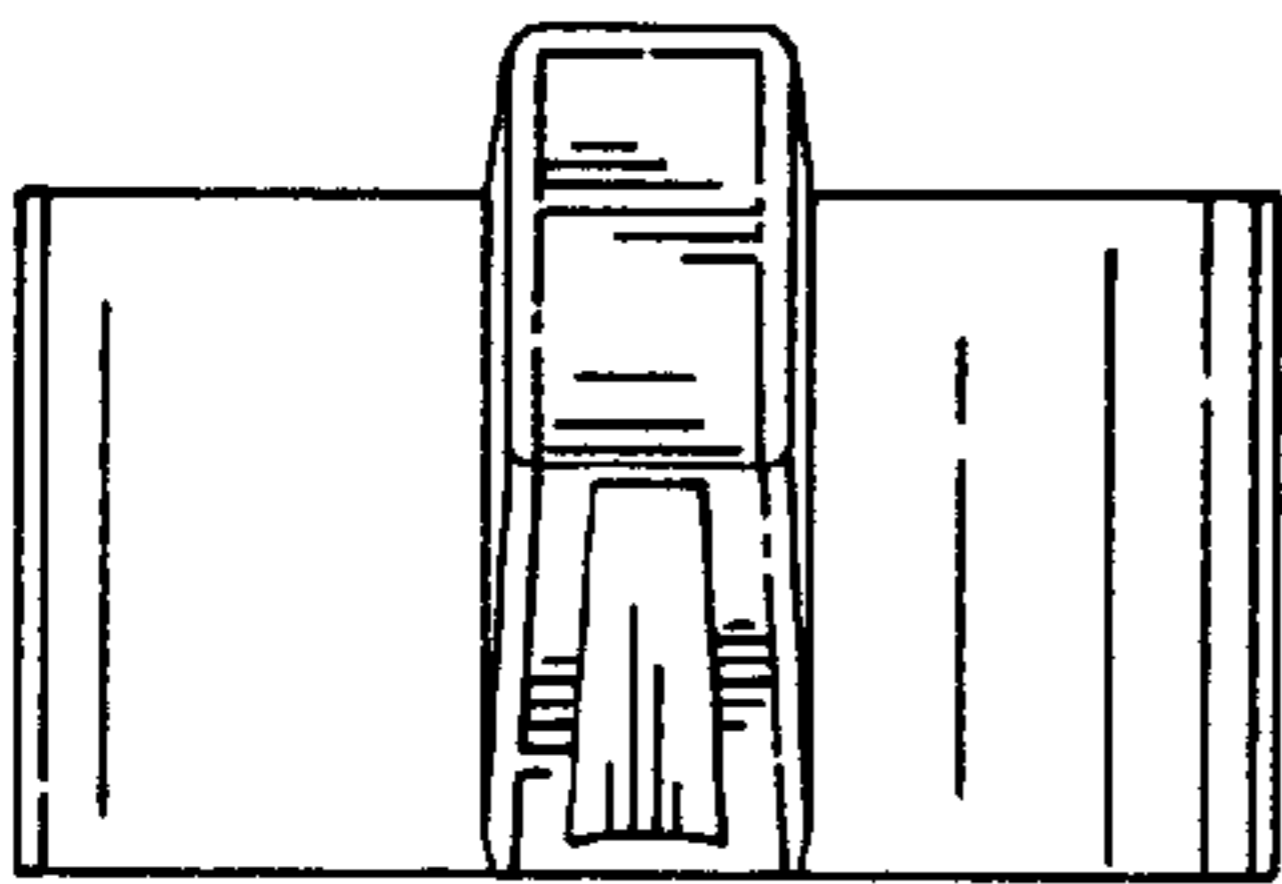
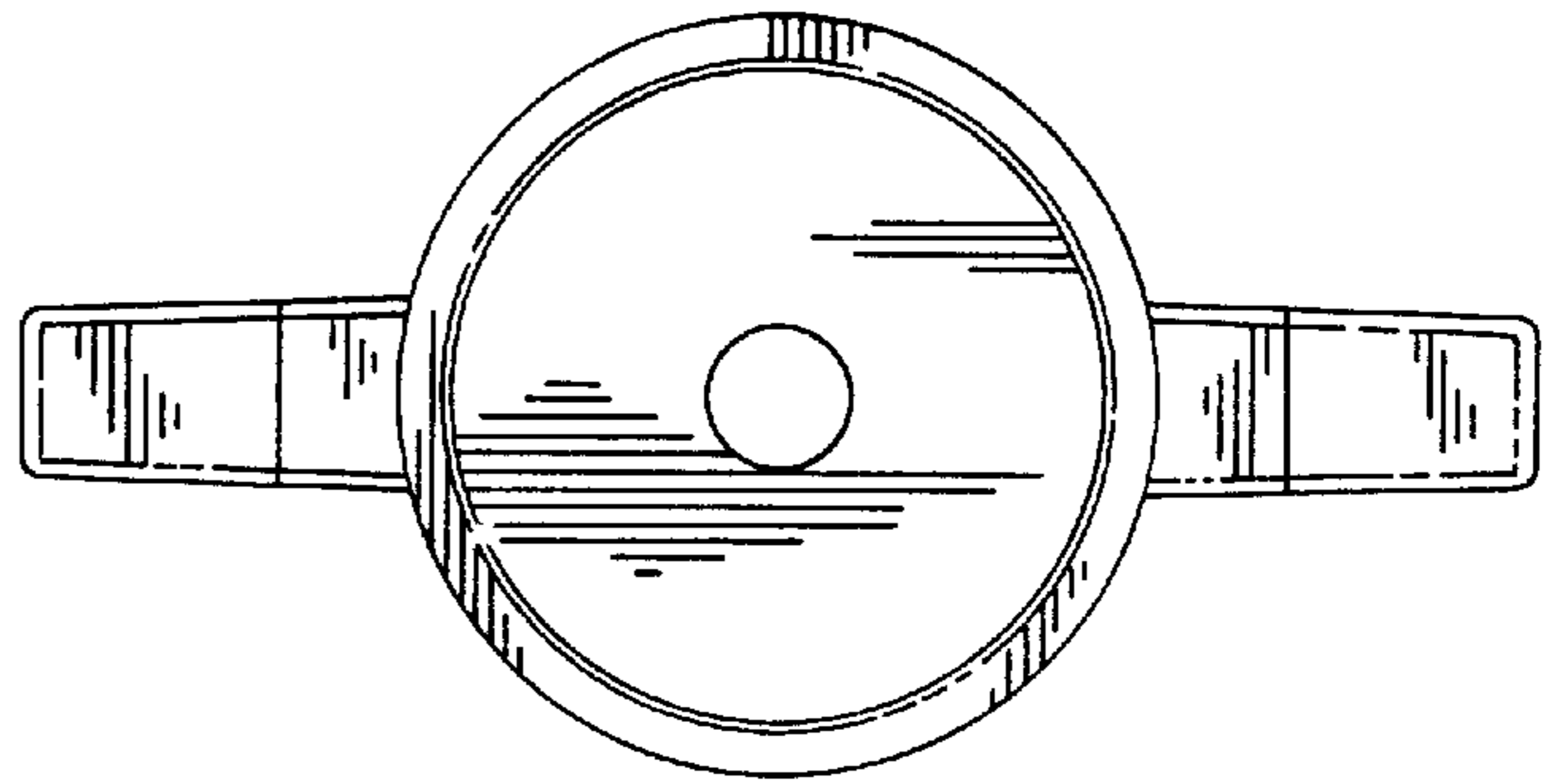


FIG 3

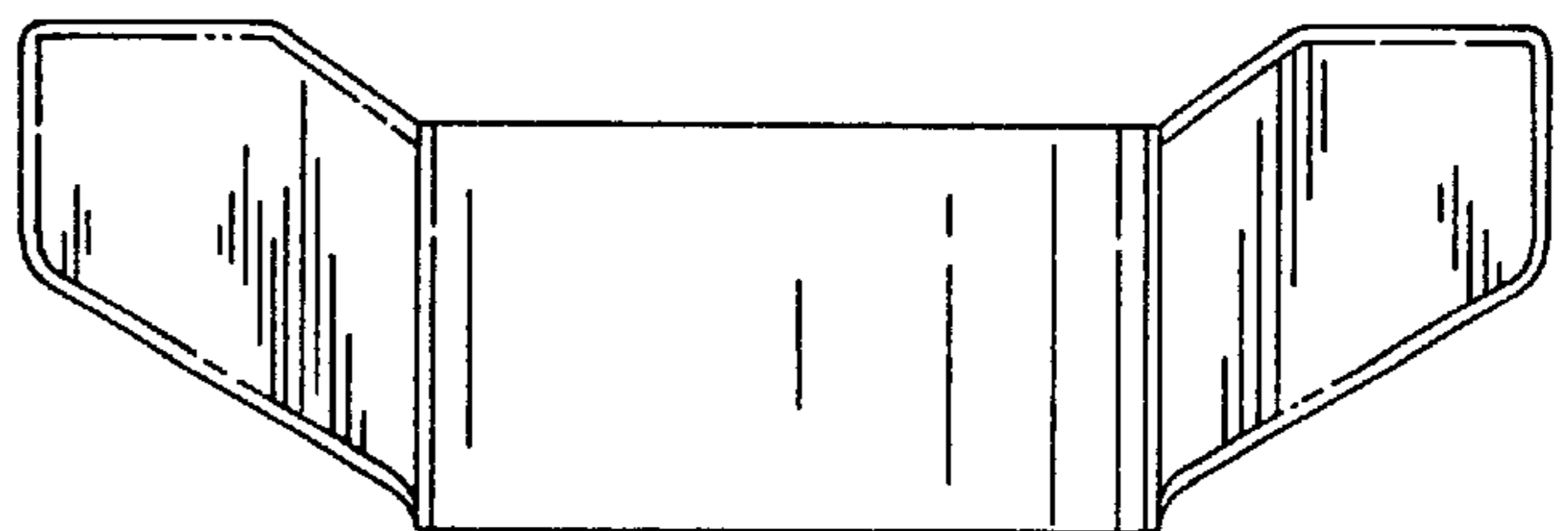


FIG 4