



US00D472960S

(12) **United States Design Patent**  
**Bonczek et al.**

(10) **Patent No.:** **US D472,960 S**

(45) **Date of Patent:** **\*\* Apr. 8, 2003**

(54) **SIDE OUTLET VALVE**

(75) Inventors: **Lawrence G. Bonczek**, Naugatuck, CT (US); **David Everett**, Thomaston, CT (US); **Yan Dong**, Cheshire, CT (US)

(73) Assignee: **Carten Controls Inc.**, Cheshire, CT (US)

(\*\*) Term: **14 Years**

(21) Appl. No.: **29/148,707**

(22) Filed: **Sep. 27, 2001**

(51) **LOC (7) Cl.** ..... **23-01**

(52) **U.S. Cl.** ..... **D23/233**

(58) **Field of Search** ..... D23/233, 245;  
251/309, 335.3, 14; 137/554

(56) **References Cited**

**U.S. PATENT DOCUMENTS**

3,012,752	A	*	12/1961	Buck	.....	251/309
4,815,692	A	*	3/1989	Loiseau et al.	.....	251/14
5,090,658	A	*	2/1992	Kusmer	.....	251/14
6,145,538	A	*	11/2000	Park	.....	137/554

\* cited by examiner

*Primary Examiner*—Nelson C. Holtje

(74) *Attorney, Agent, or Firm*—John H. Crozier

(57) **CLAIM**

The ornamental design for a side outlet valve, as shown and described.

**DESCRIPTION**

FIG. 1 is a left side/rear/top isometric view of a side outlet valve of our new design according to one embodiment of the present invention;

FIG. 2 is a left side elevational view thereof;

FIG. 3 is a right side elevational view thereof;

FIG. 4 is a front elevational view thereof;

FIG. 5 is a rear elevational view thereof;

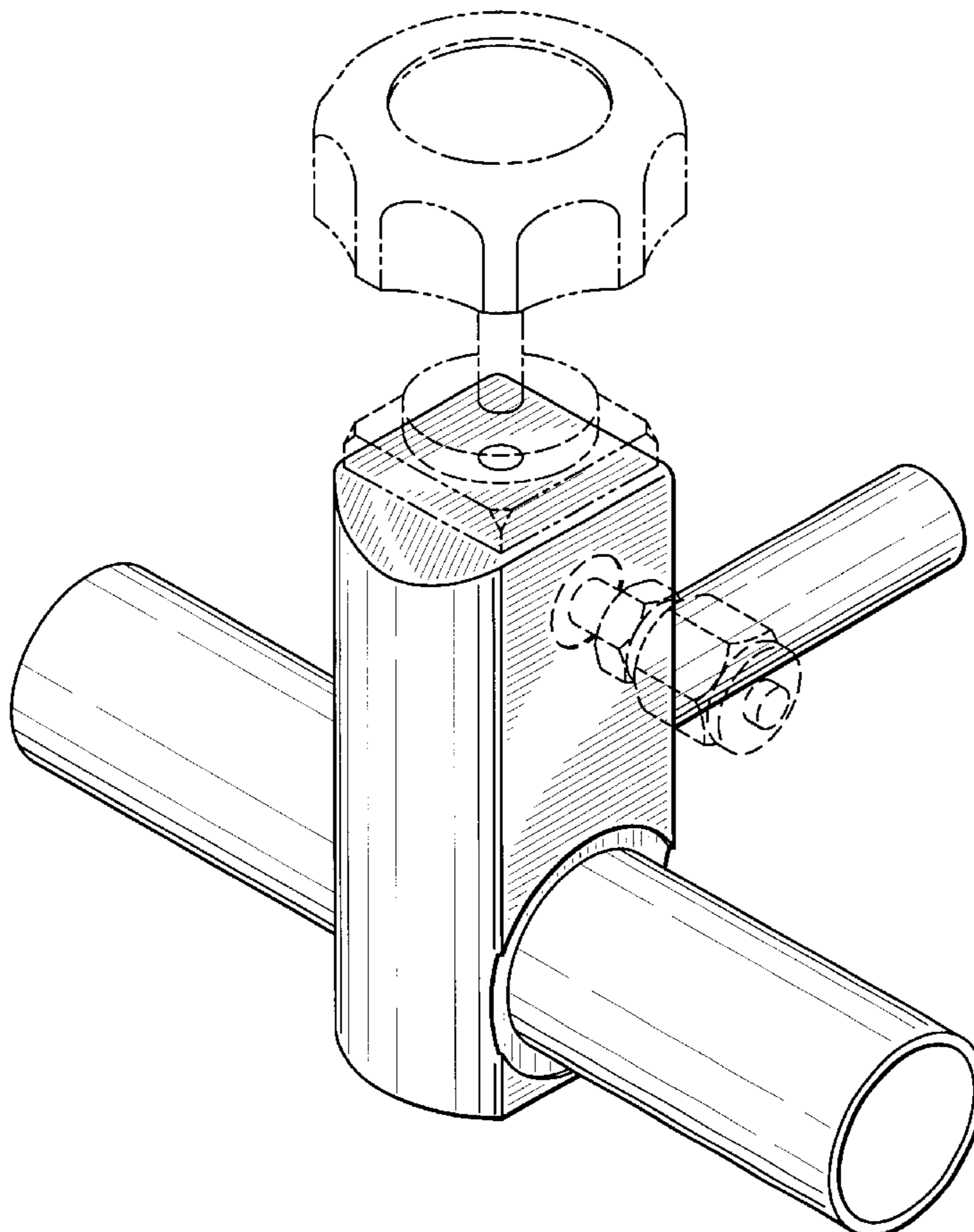
FIG. 6 is a top plan view thereof;

FIG. 7 is a bottom plan view thereof;

FIG. 8 is a bottom plan view thereof, with the side outlet fluid passage in a position other than orthogonal to the main fluid passage; and,

FIG. 9 is a bottom plan view thereof, with the side outlet fluid passage in a position other than orthogonal to the main fluid passage.

**1 Claim, 5 Drawing Sheets**



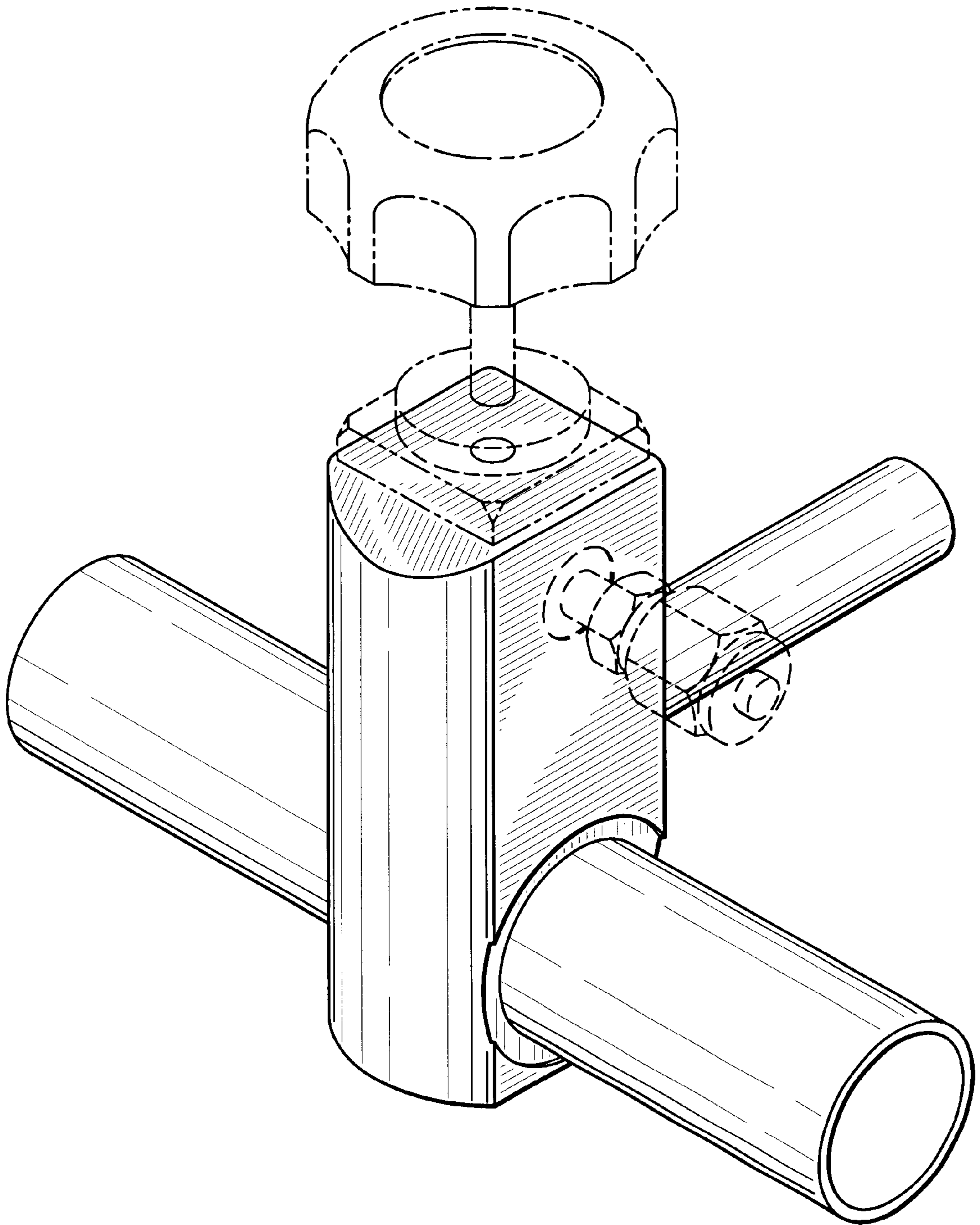


FIG. 1

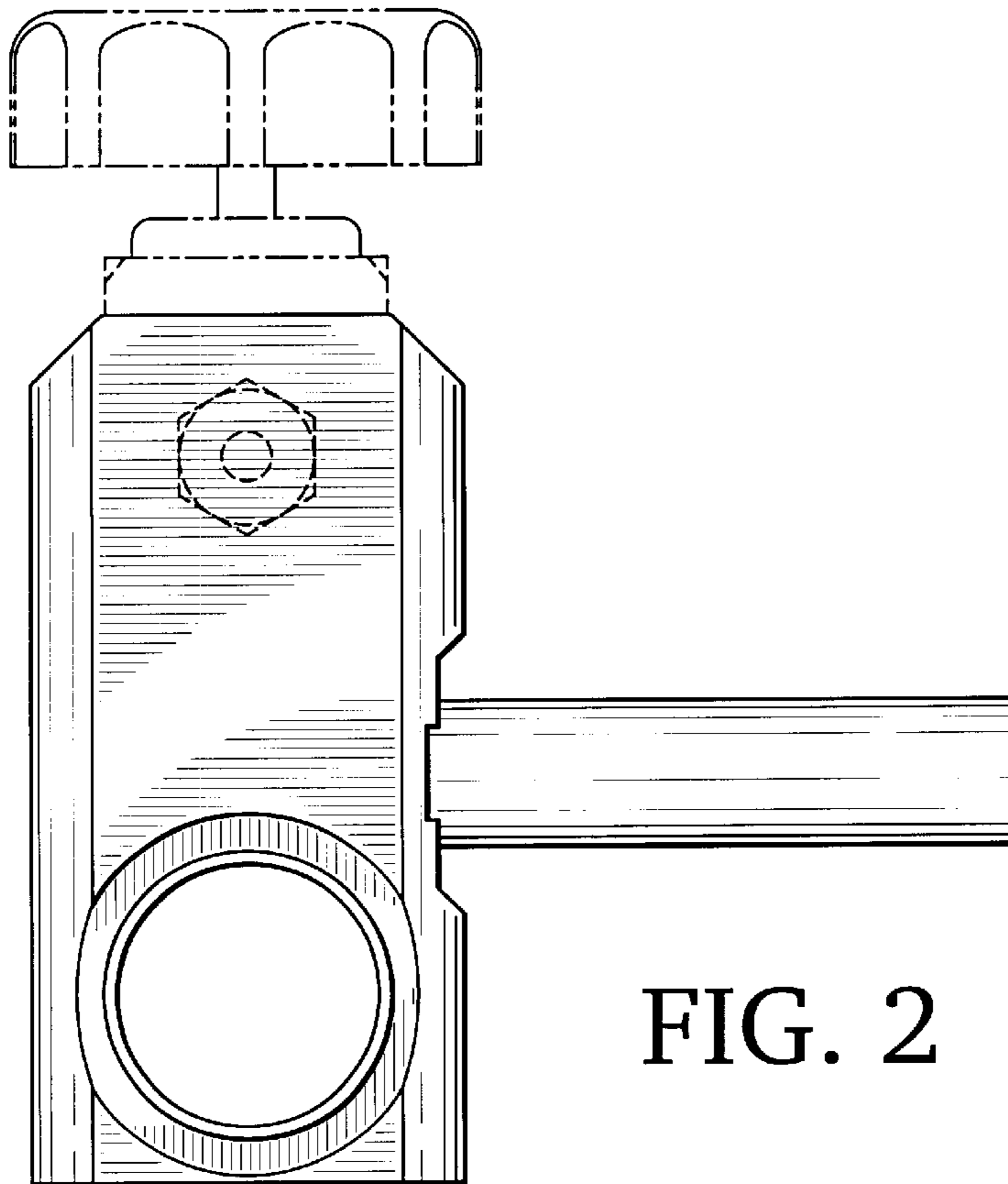


FIG. 2

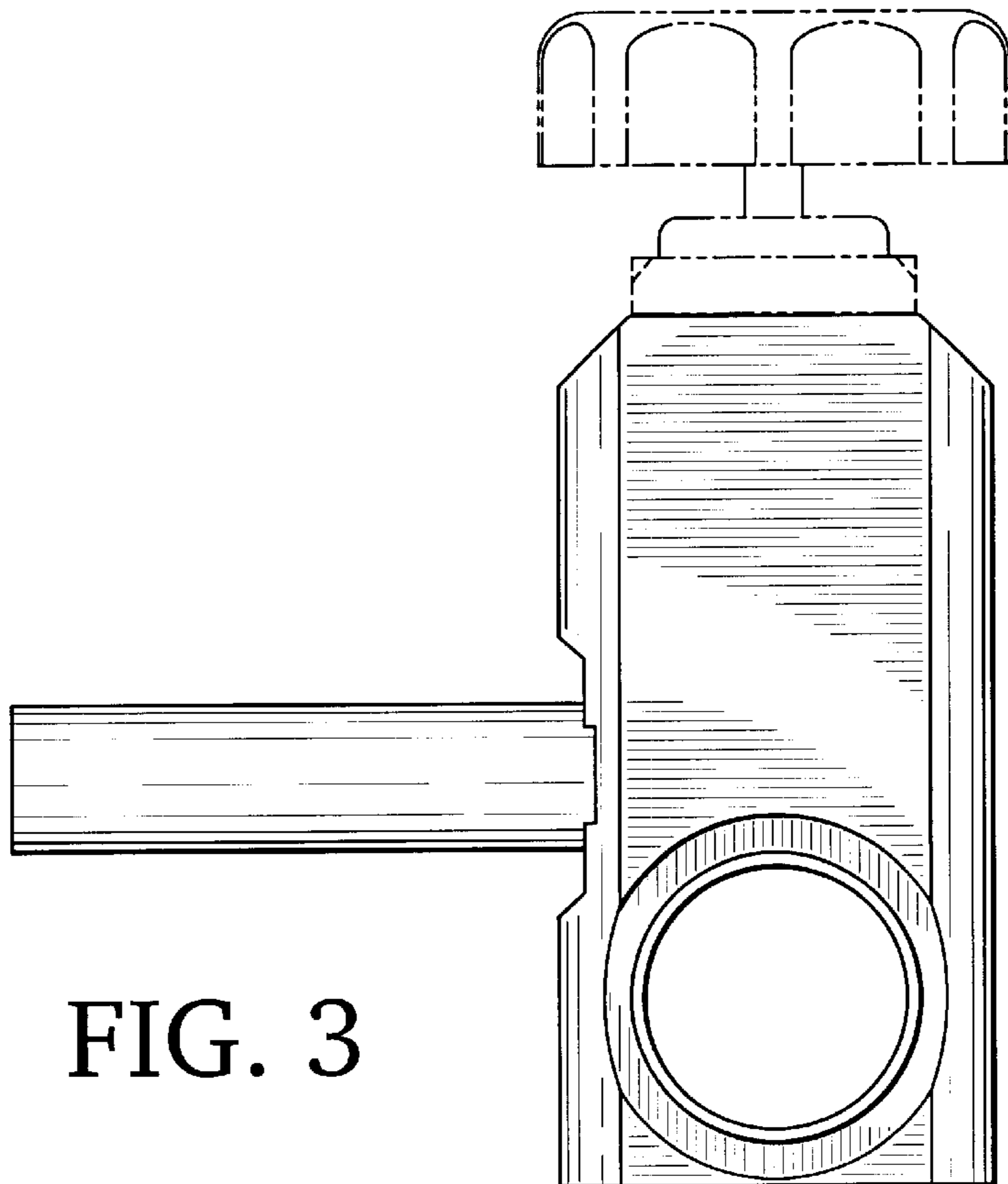
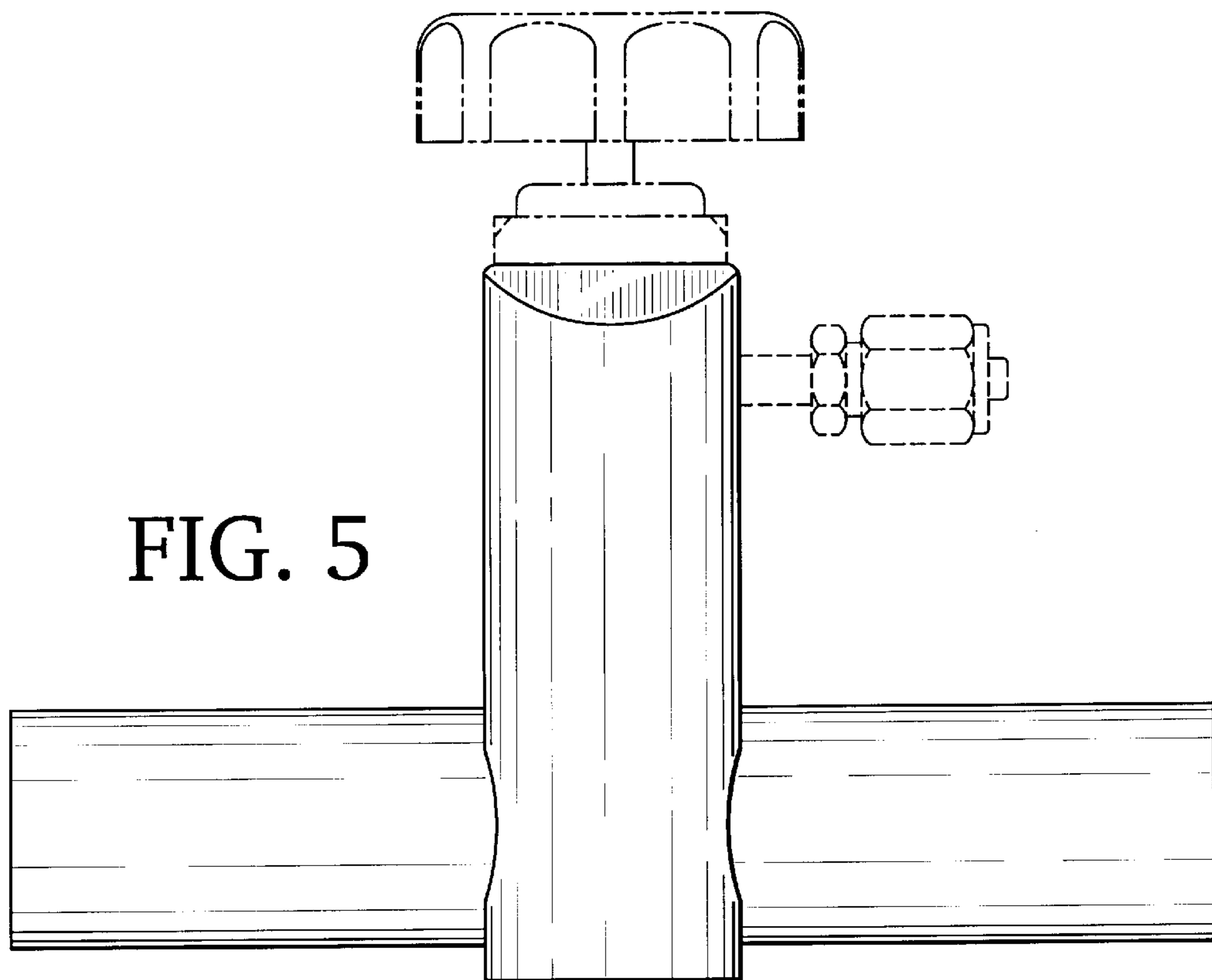
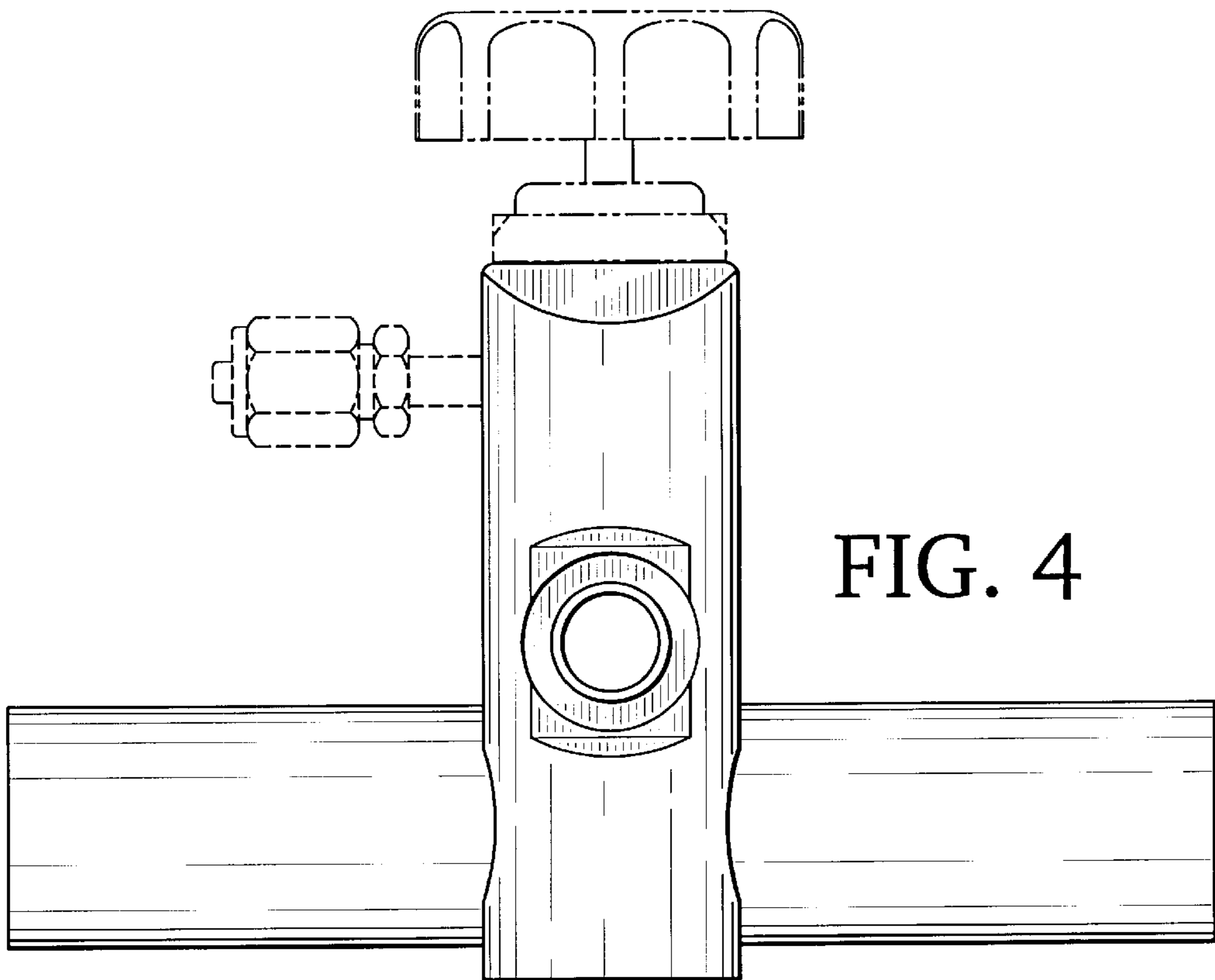


FIG. 3



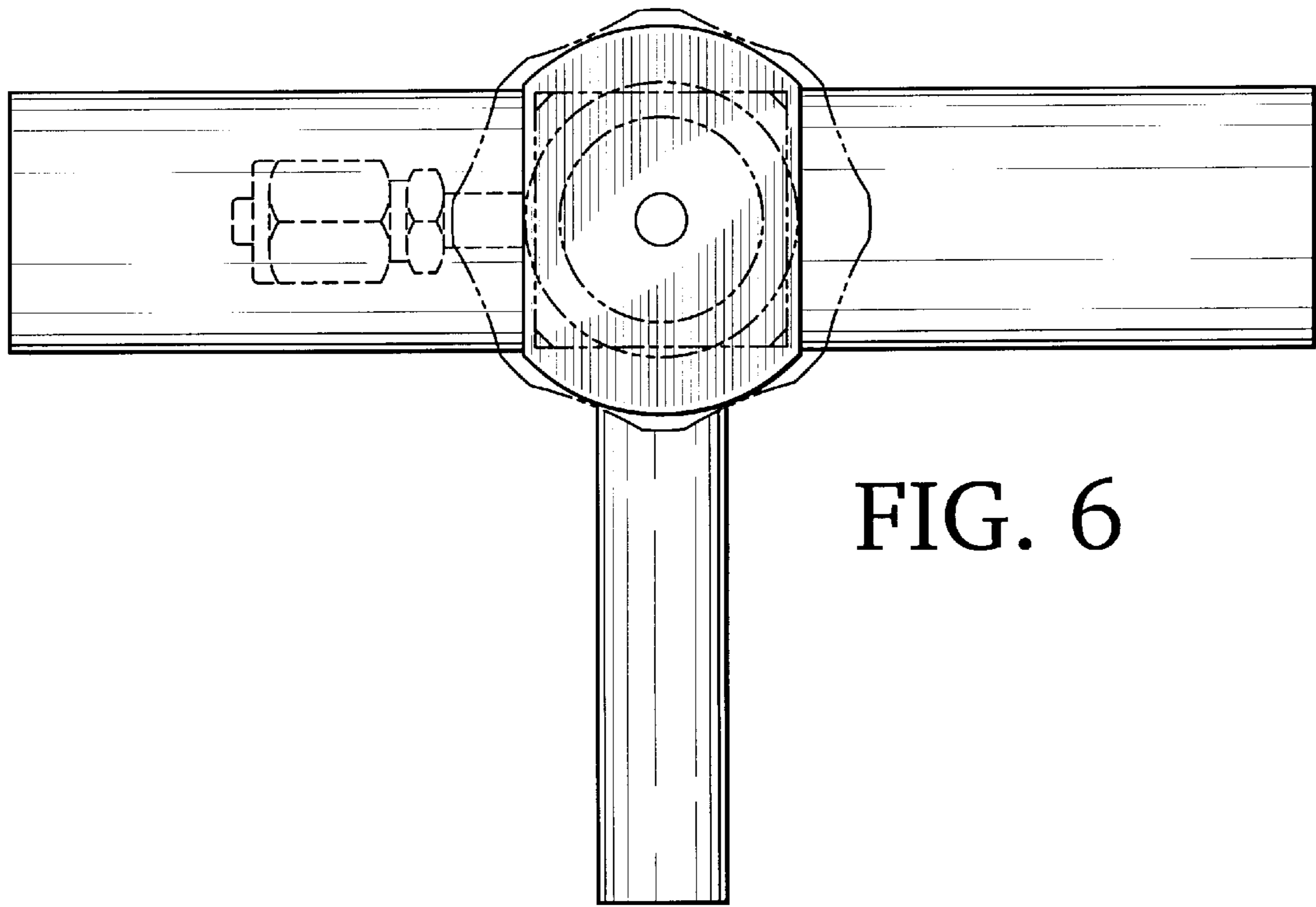


FIG. 6

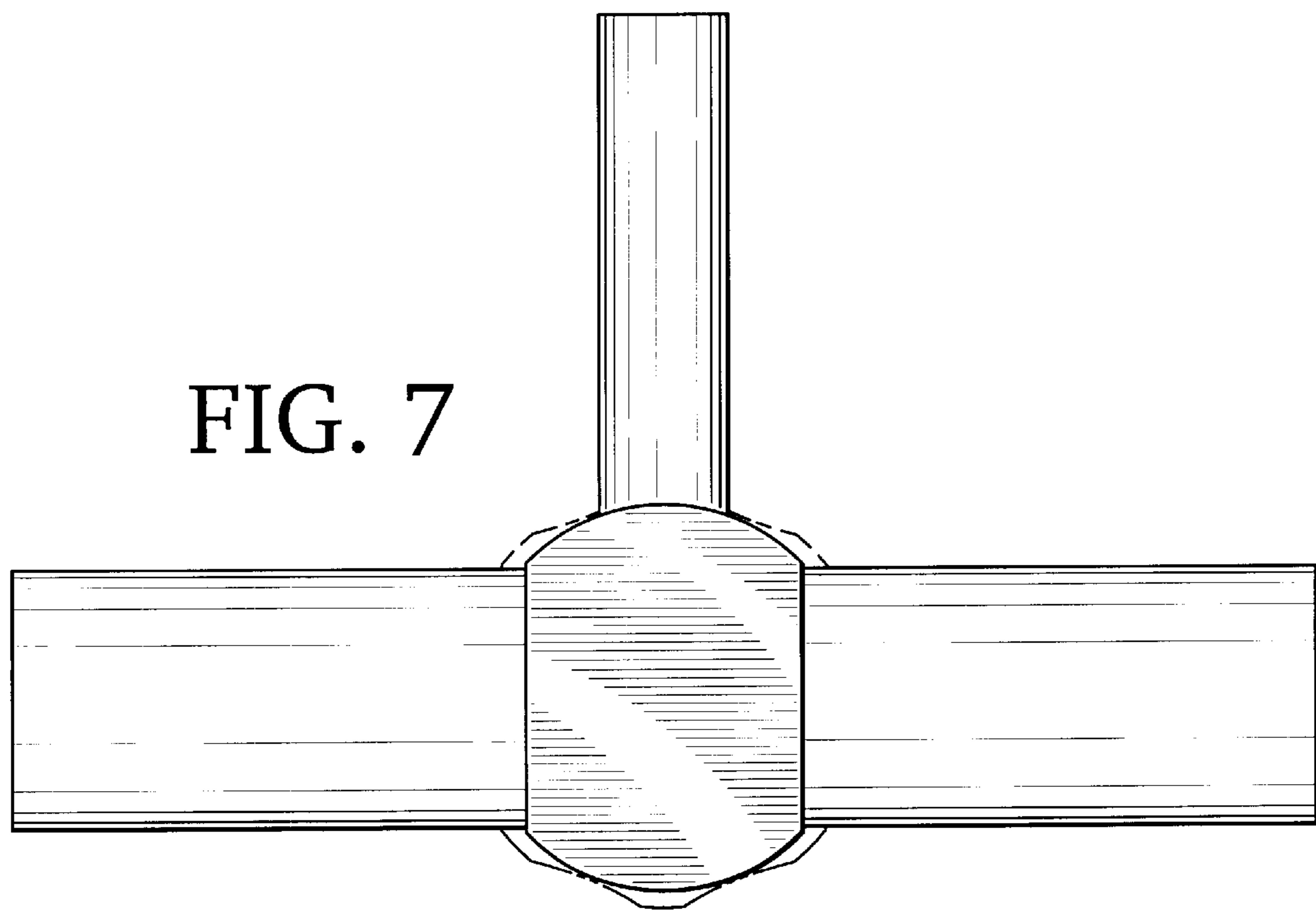


FIG. 7

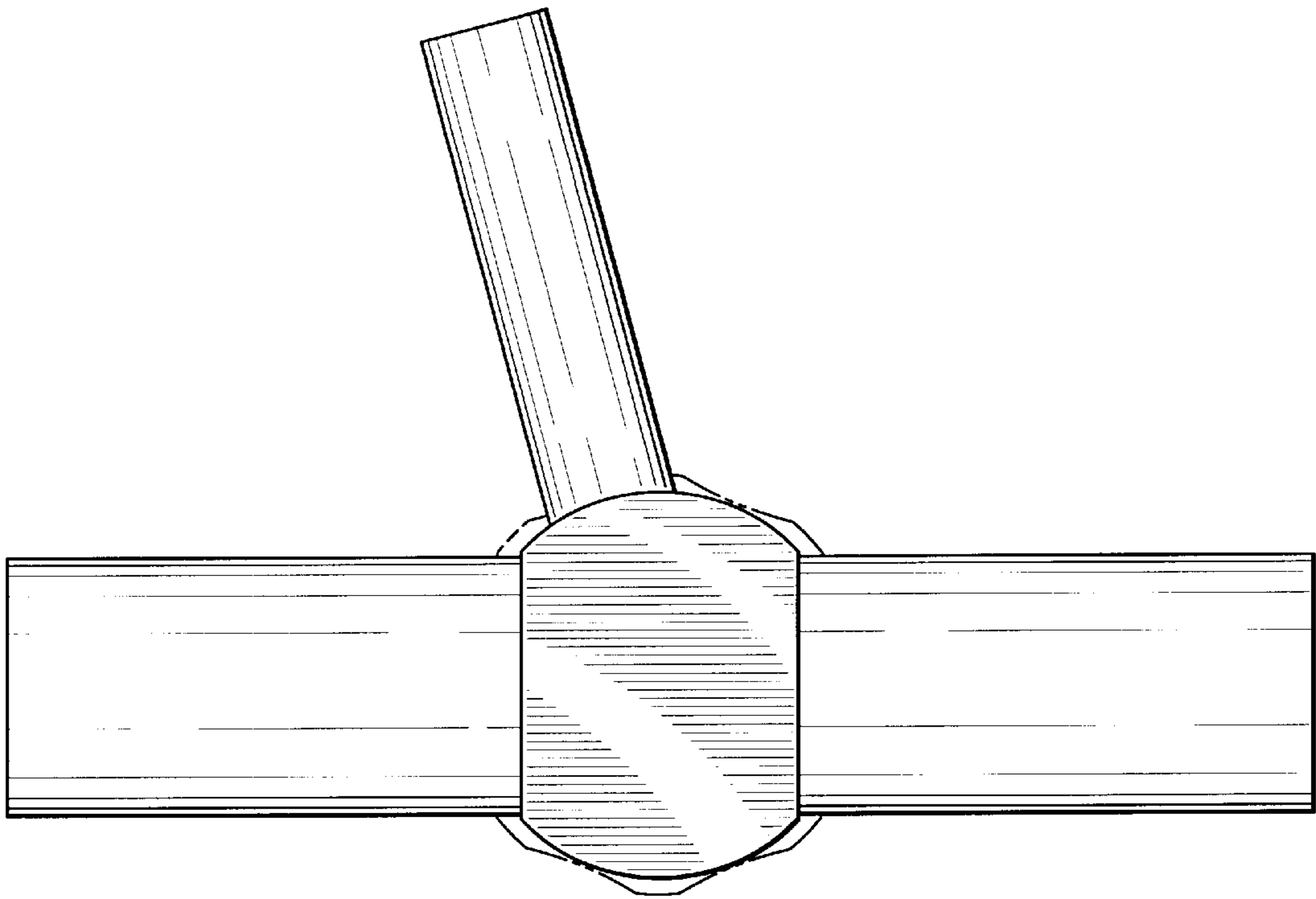


FIG. 8

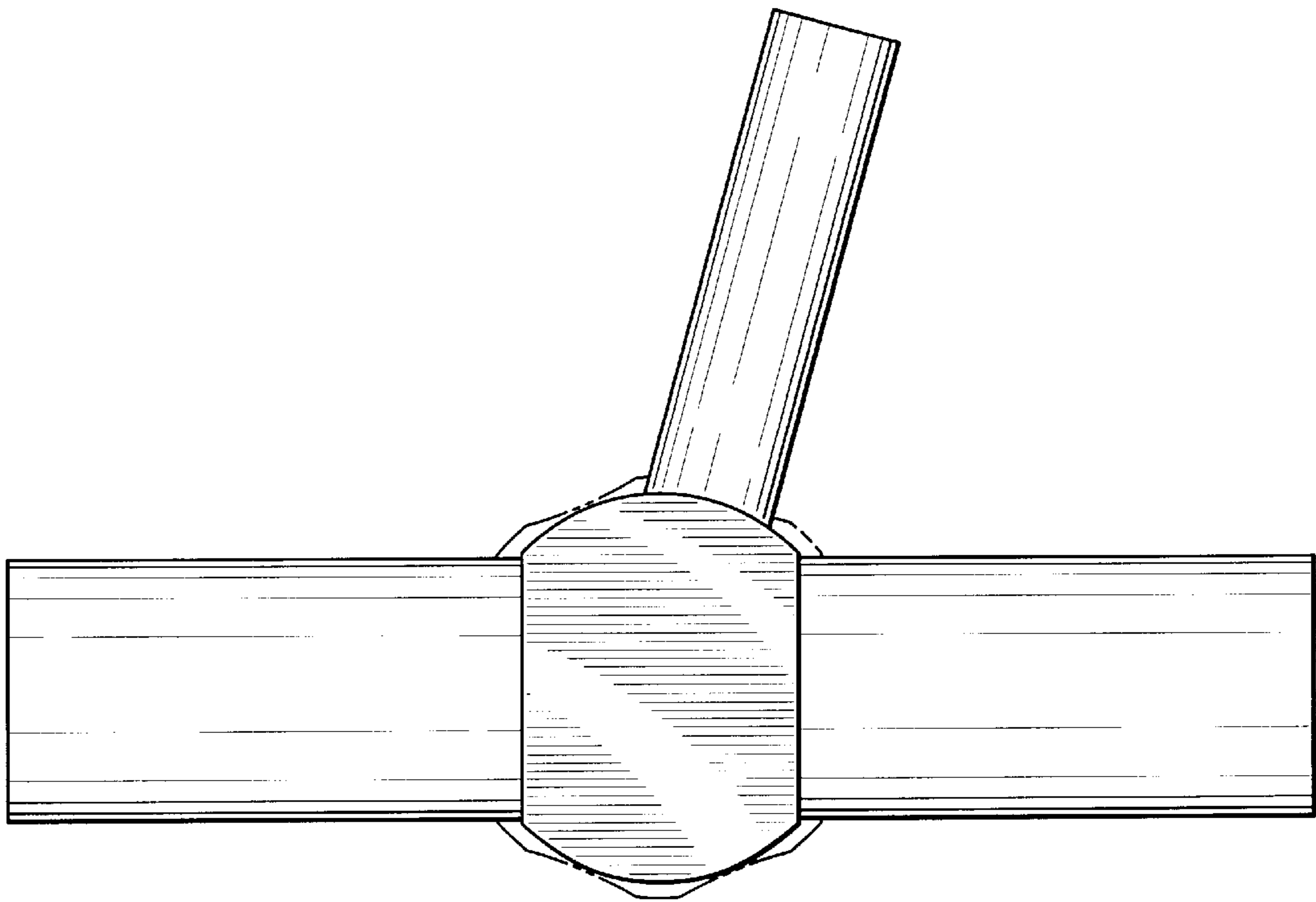


FIG. 9