



US00D472959S

(12) **United States Design Patent**
Alkalay et al.

(10) **Patent No.:** **US D472,959 S**

(45) **Date of Patent:** **** Apr. 8, 2003**

- (54) **WATER WAND—HEAD PORTION**
- (75) Inventors: **Uri Alkalay, Even Yehuda (IL);
Coustantin Presman, Raanana (IL)**
- (73) Assignee: **Lego Irrigation Ltd., Natany (IL)**
- (**) Term: **14 Years**
- (21) Appl. No.: **29/168,028**
- (22) Filed: **Sep. 25, 2002**

- D385,948 S 11/1997 Guo et al. D23/223
- D425,603 S 5/2000 Guo D23/226
- D433,099 S * 10/2000 Chao D23/226

* cited by examiner

Primary Examiner—Robin V. Taylor
(74) *Attorney, Agent, or Firm*—Baker Botts LLP

(57) **CLAIM**

The ornamental design for a water wand—head portion, as shown and described.

Related U.S. Application Data

- (62) Division of application No. 29/155,124, filed on Feb. 4, 2002.

(30) **Foreign Application Priority Data**

Aug. 8, 2001 (IL) 35473

- (51) **LOC (7) Cl.** **23-01**
- (52) **U.S. Cl.** **D23/223**
- (58) **Field of Search** D23/213, 223,
D23/226; 239/280, 532, 530

(56) **References Cited**

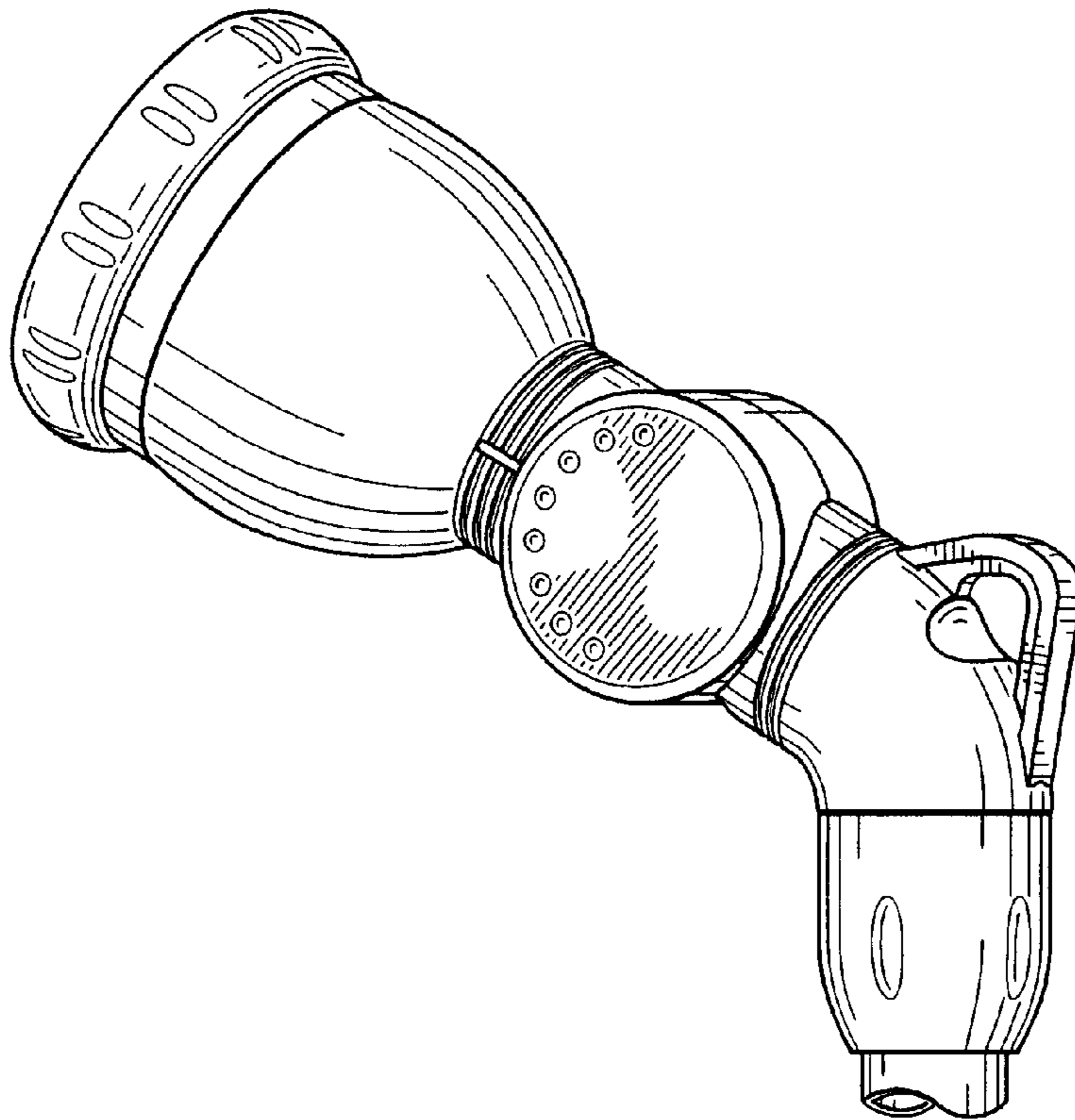
U.S. PATENT DOCUMENTS

- D270,560 S 9/1983 Clivio et al. D23/35
- D353,874 S 12/1994 Clivio D23/213
- D359,547 S 6/1995 Wang D23/223

DESCRIPTION

FIG. 1 is a front view showing a detail of the present design for the head portion;
 FIG. 2 is a right side view showing a detail of the present design for the head portion;
 FIG. 3 is a left side view showing a detail of the present design for the head portion;
 FIG. 4 is a back view showing a detail of the present design for the head portion;
 FIG. 5 is a bottom view showing a detail of the present design for the head portion;
 FIG. 6 is a back-right perspective view showing a detail of the present design for the head portion; and,
 FIG. 7 is a top view of the present design for the head portion.

1 Claim, 3 Drawing Sheets



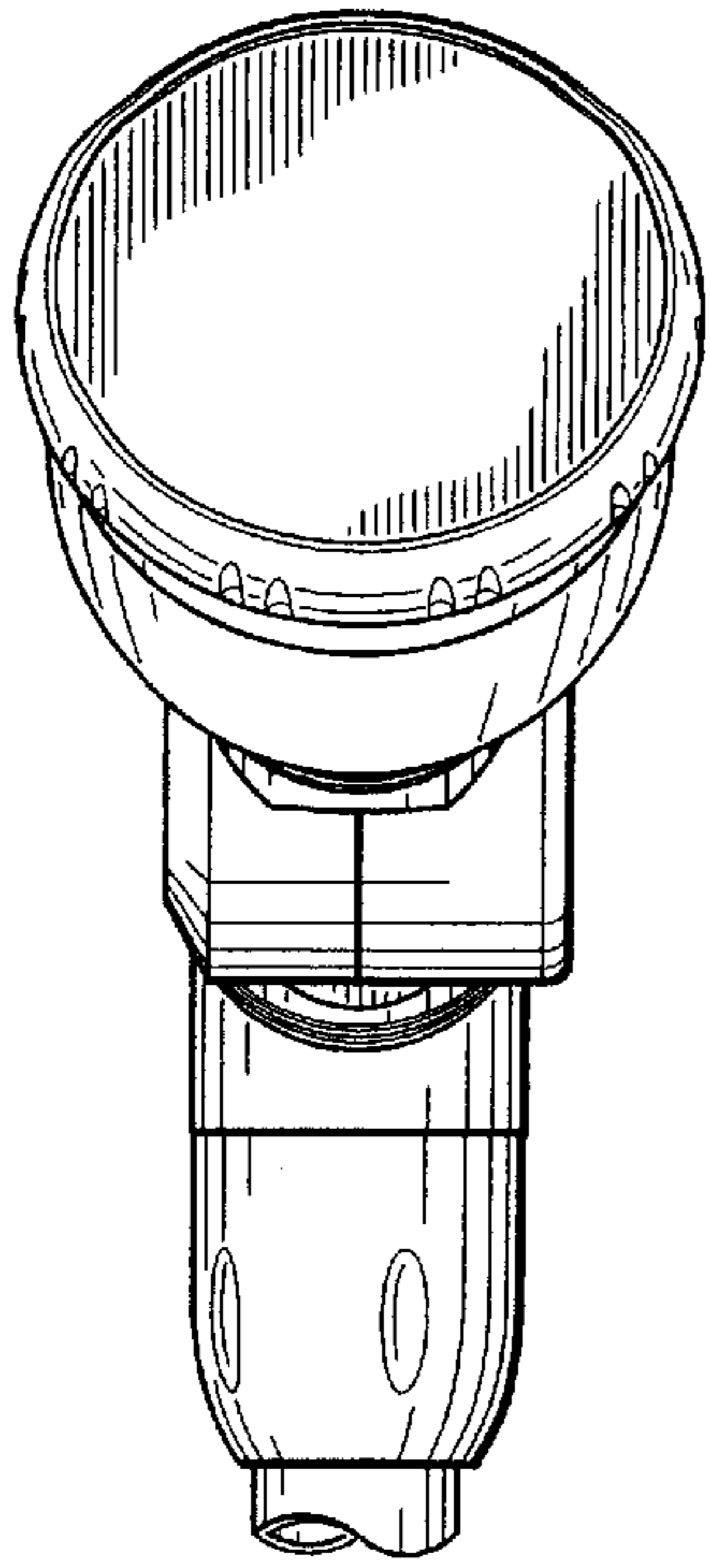


FIG. 1

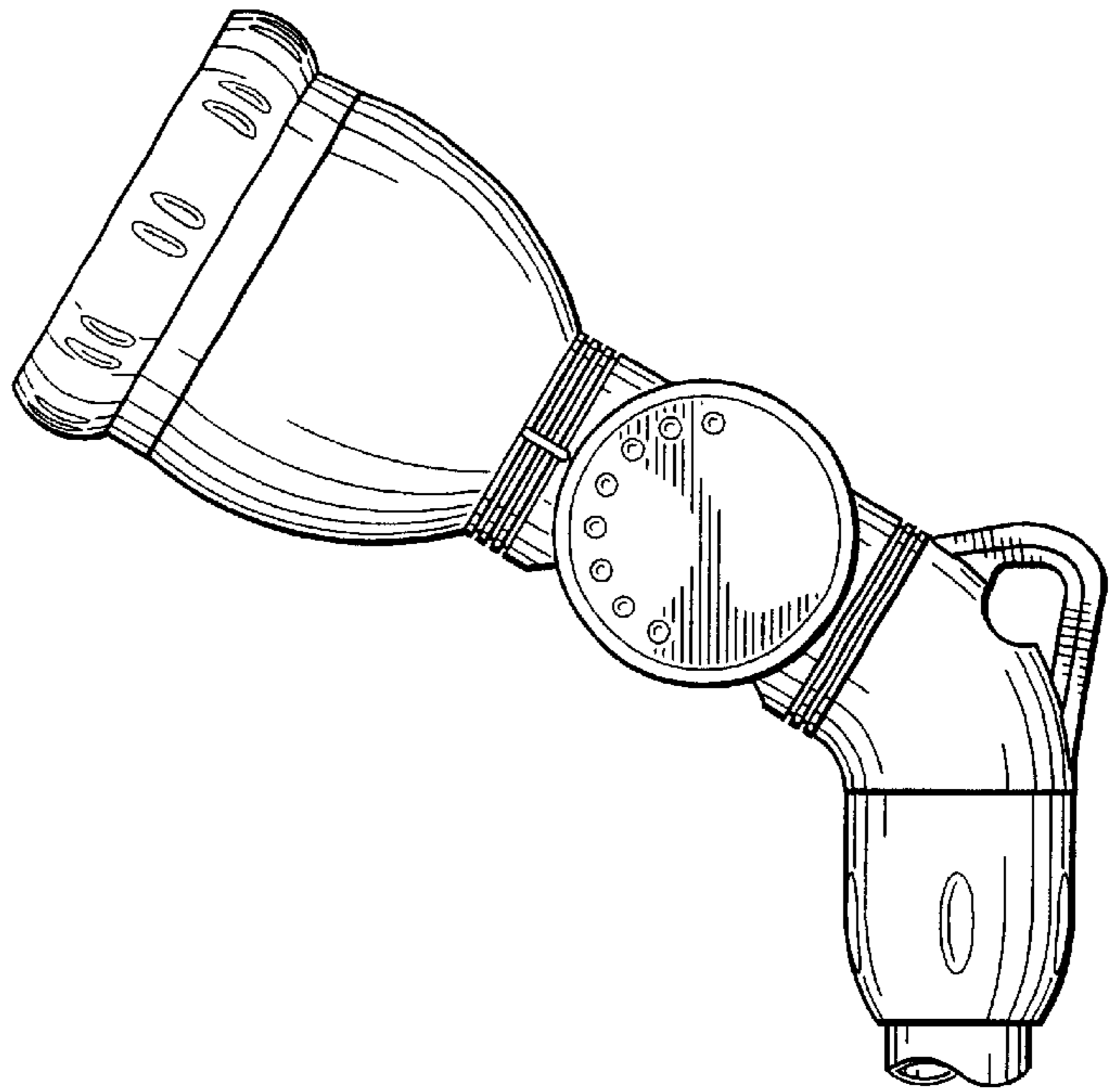


FIG. 2

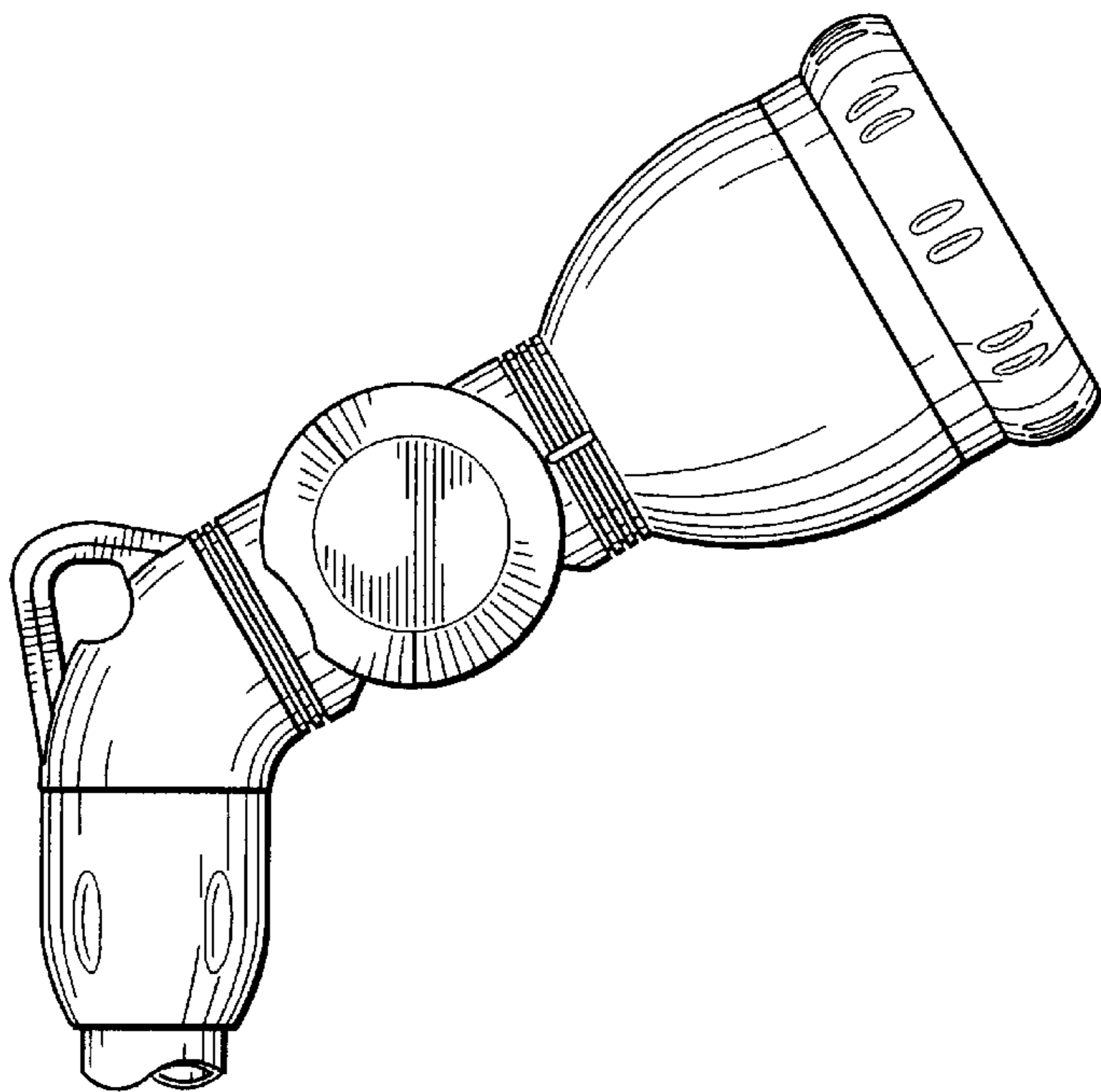


FIG. 3

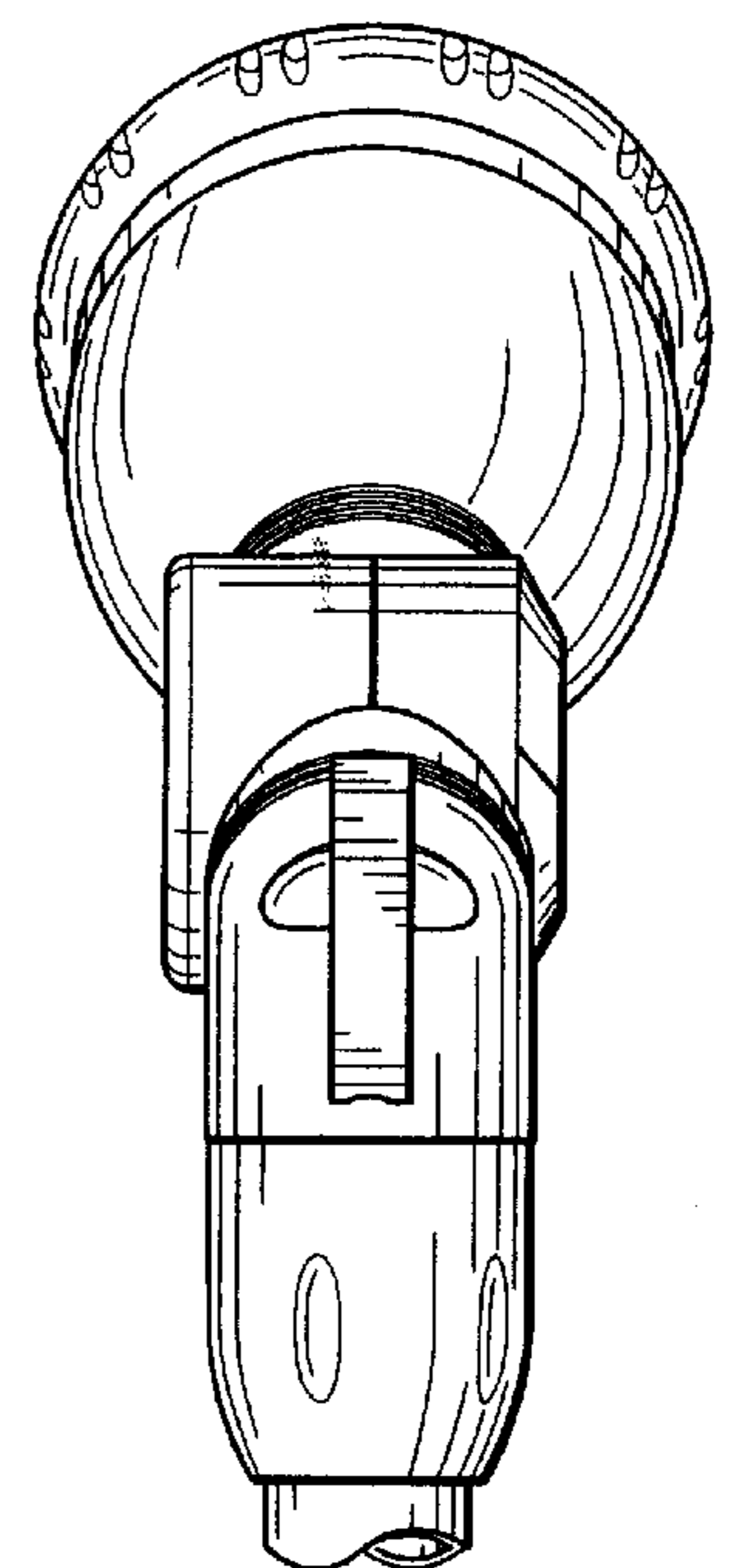


FIG. 4

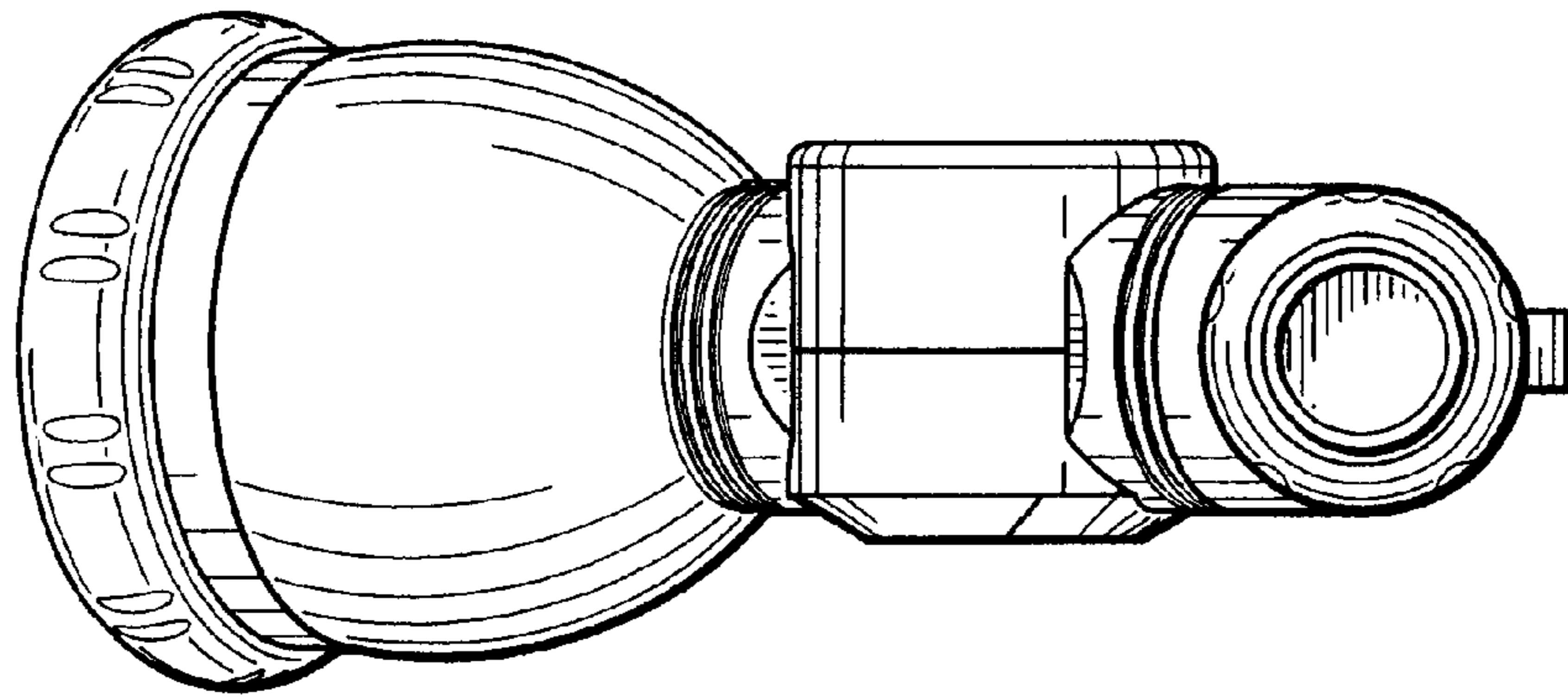


FIG. 5

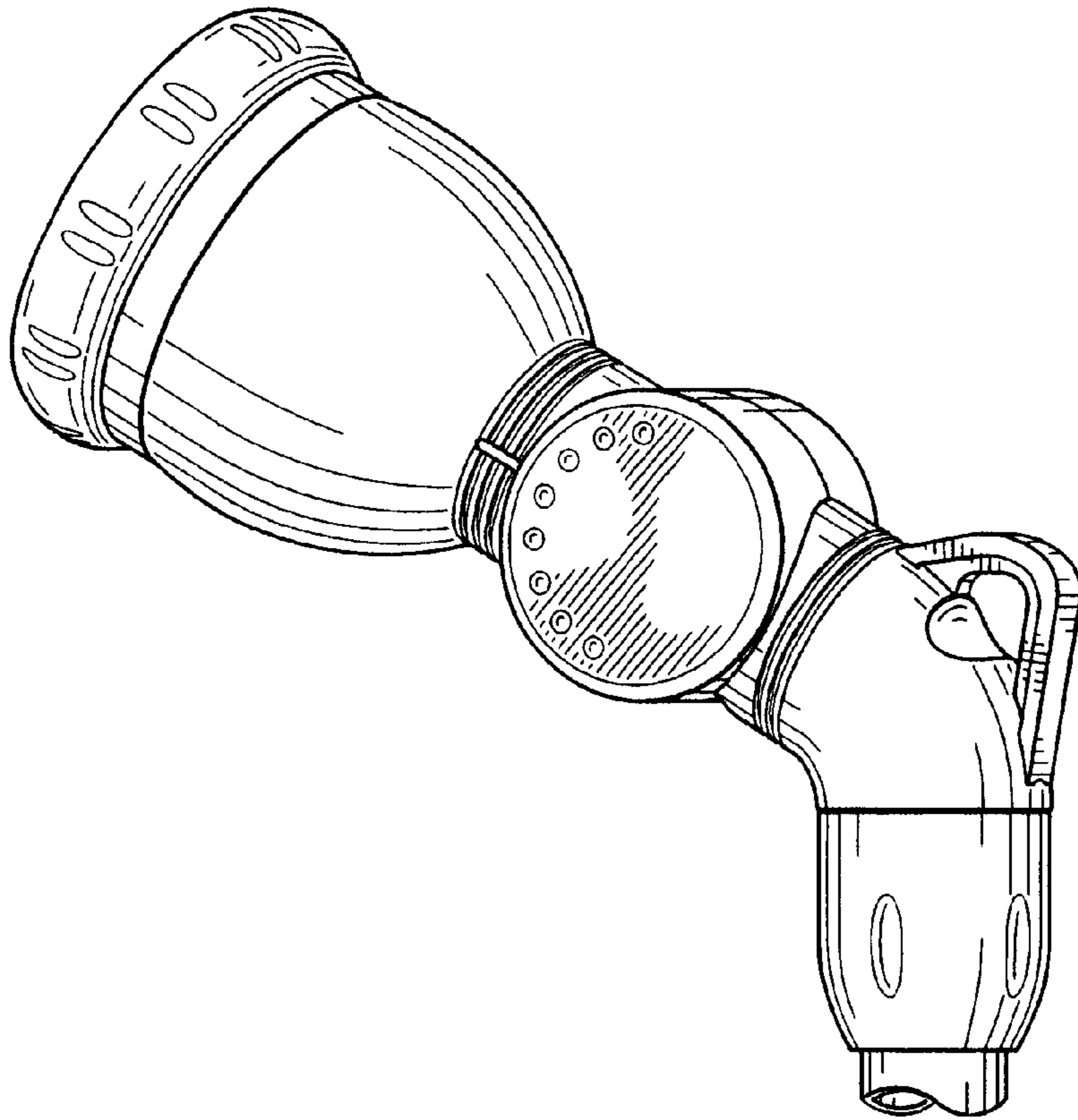


FIG. 6

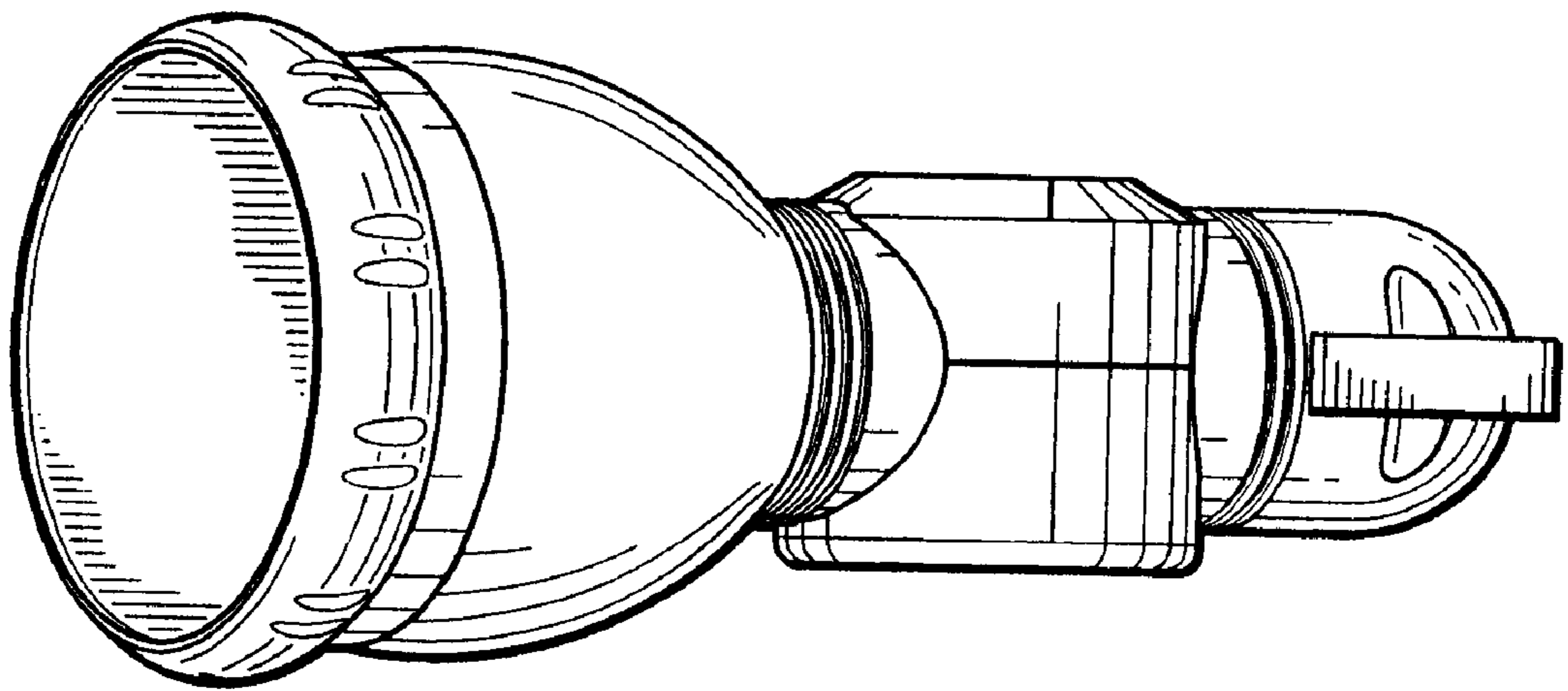


FIG. 7