



US00D472958S

(12) **United States Design Patent**
Ouyoung

(10) **Patent No.:** **US D472,958 S**

(45) **Date of Patent:** **** Apr. 8, 2003**

(54) **SHOWER HEAD**

D417,903 S * 12/1999 Warshawsky D23/213
D465,553 S * 11/2002 Singtoroj D23/229

(75) Inventor: **Scott Ouyoung**, Taichung Export Processing Zone (TW)

* cited by examiner

(73) Assignee: **Globe Union Industrial Corp.**, Taichung Export Processing Zone (TW)

Primary Examiner—Robin V. Taylor
(74) *Attorney, Agent, or Firm*—Leong C. Lei

(**) Term: **14 Years**

(57) **CLAIM**

The ornamental design for a shower head, as shown and described.

(21) Appl. No.: **29/166,700**

(22) Filed: **Sep. 4, 2002**

DESCRIPTION

(51) **LOC (7) Cl.** **23-01**

FIG. 1 is perspective view of a shower head showing my new design;

(52) **U.S. Cl.** **D23/213**

FIG. 2 is a front side elevation view thereof;

(58) **Field of Search** D23/213, 229,
D23/230; 239/282, 283, 273

FIG. 3 is a rear side elevation view thereof;

FIG. 4 is a right side elevation view thereof;

FIG. 5 is a left side elevation view thereof;

FIG. 6 is a top plan view thereof; and,

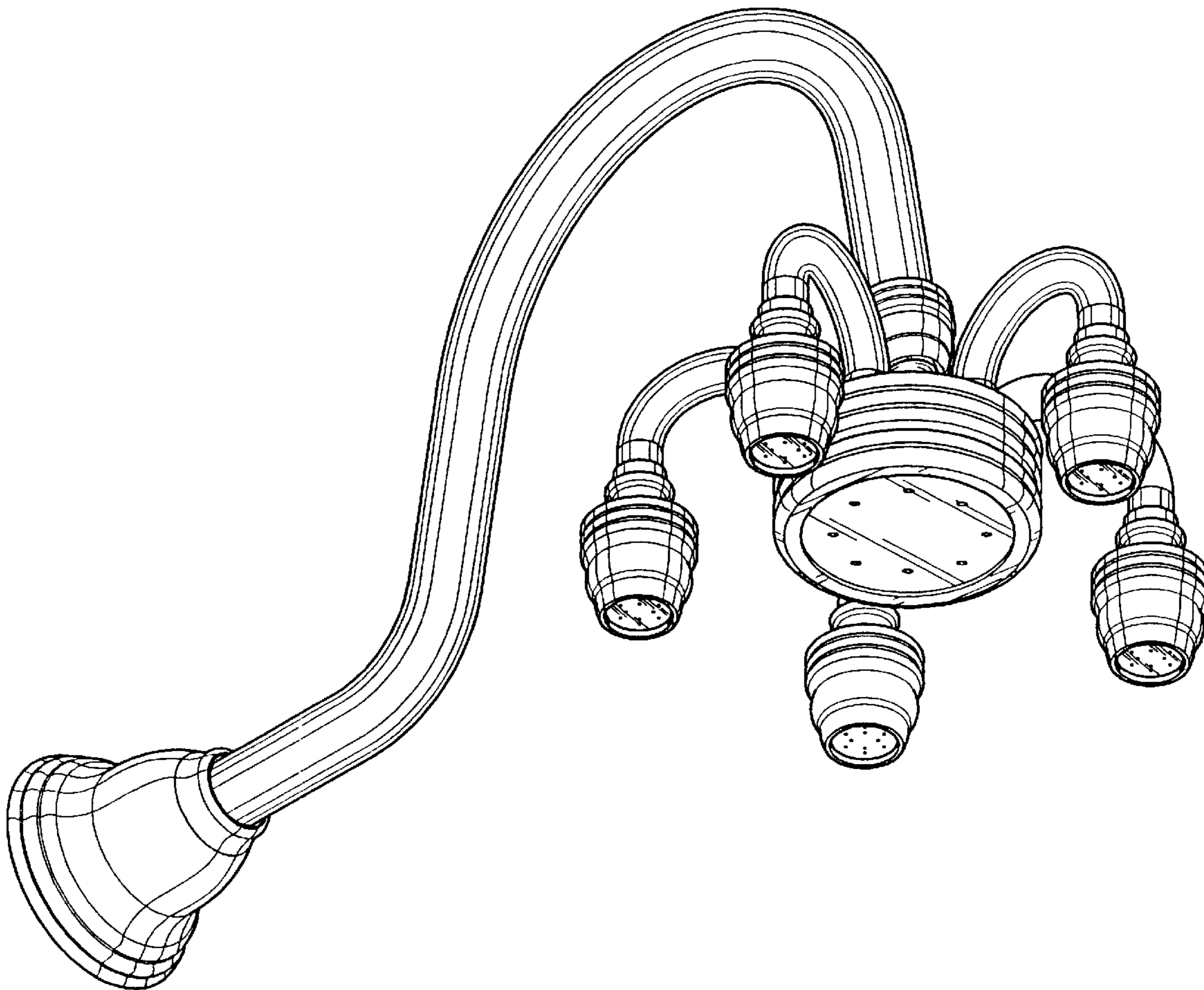
FIG. 7 is a bottom plan view thereof.

(56) **References Cited**

U.S. PATENT DOCUMENTS

D417,716 S * 12/1999 Warshawsky D23/213

1 Claim, 6 Drawing Sheets



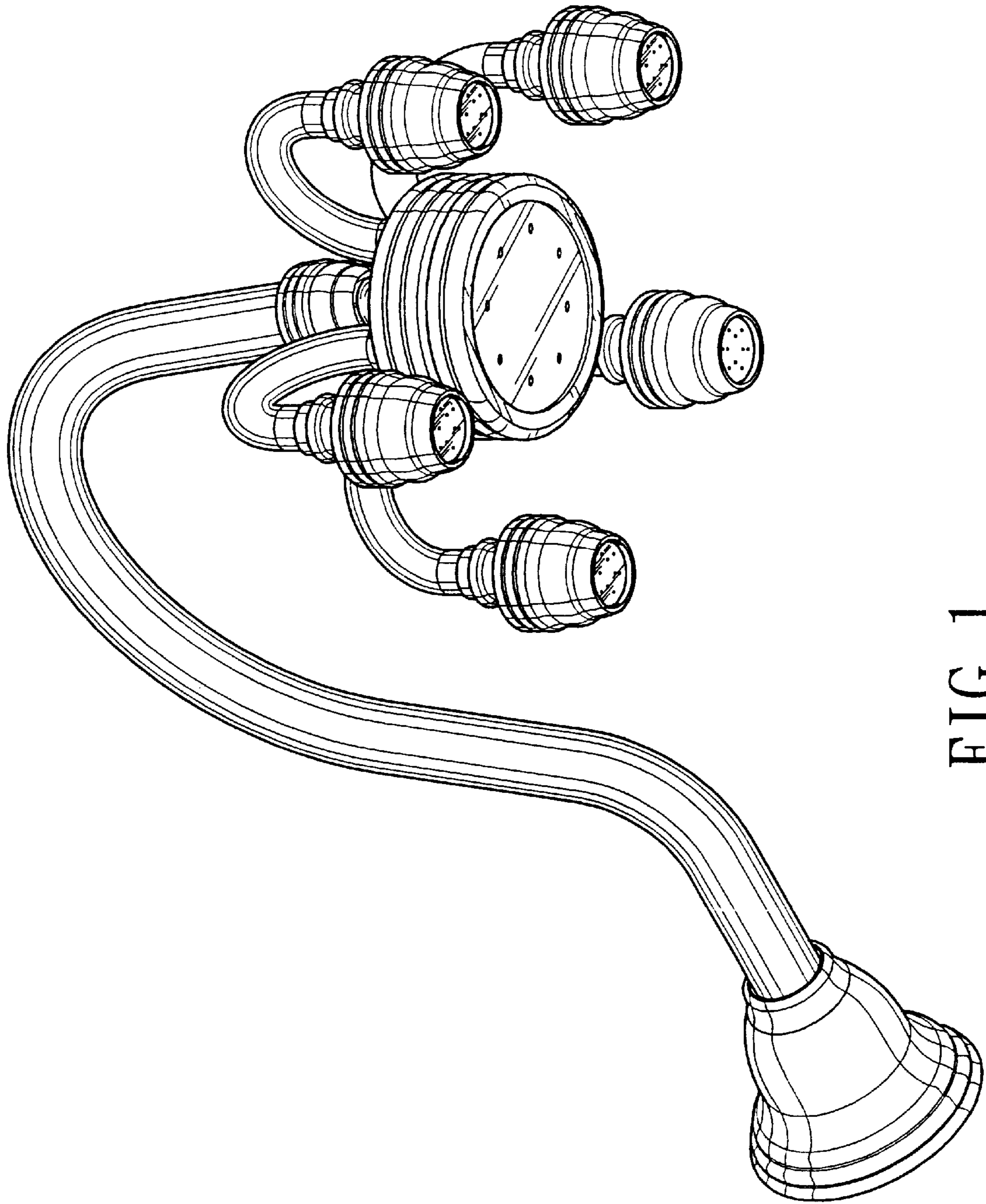


FIG. 1

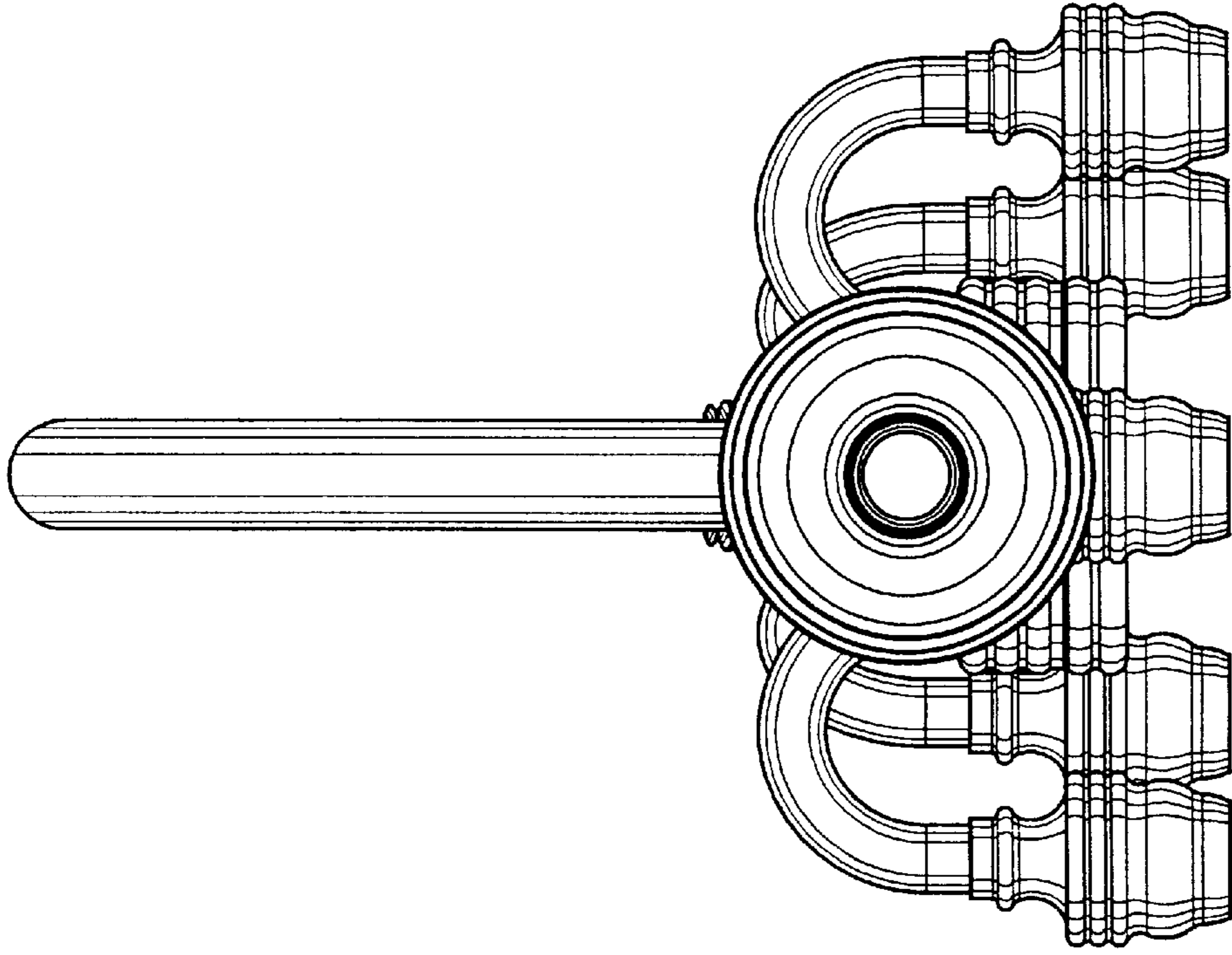


FIG. 3

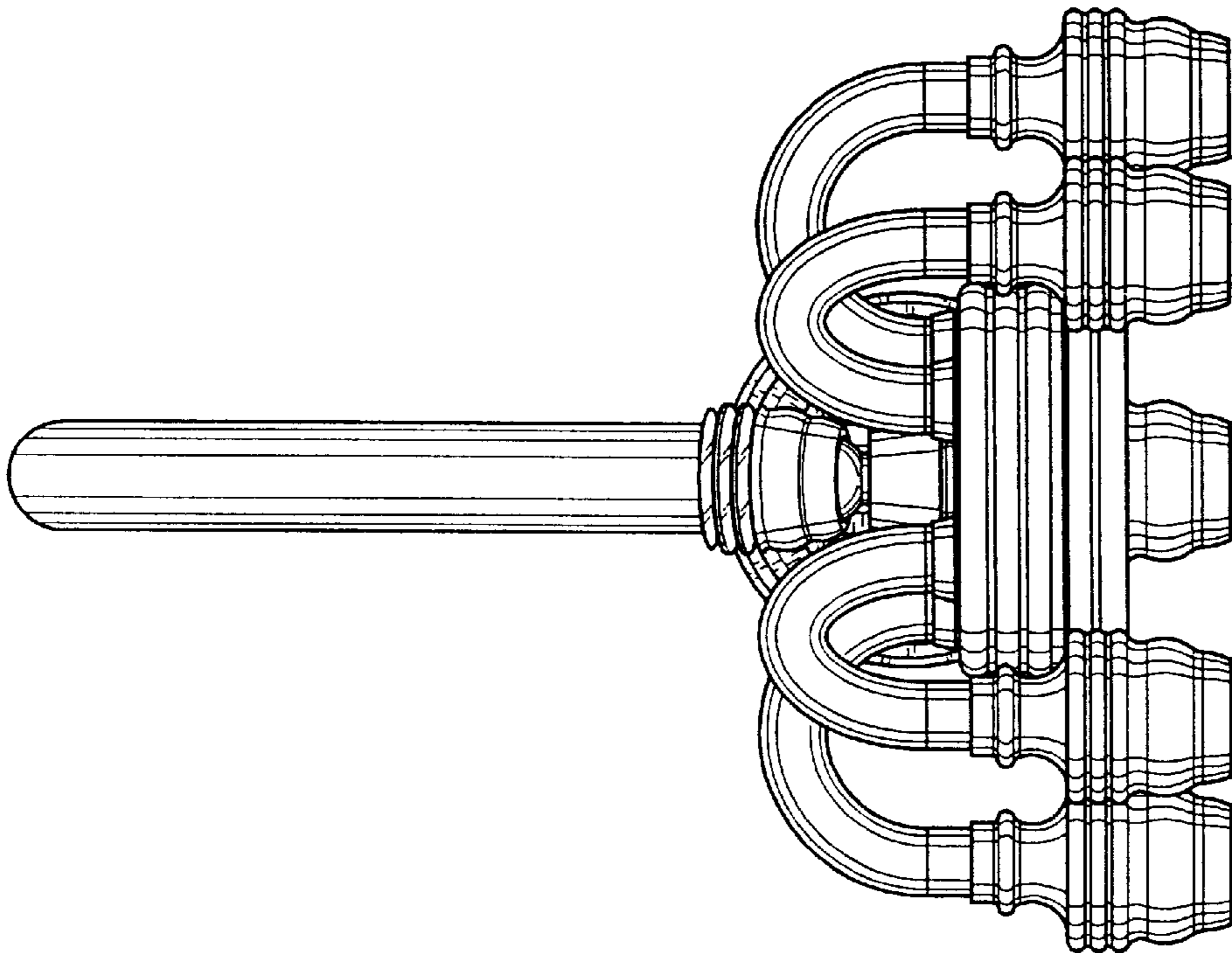


FIG. 2

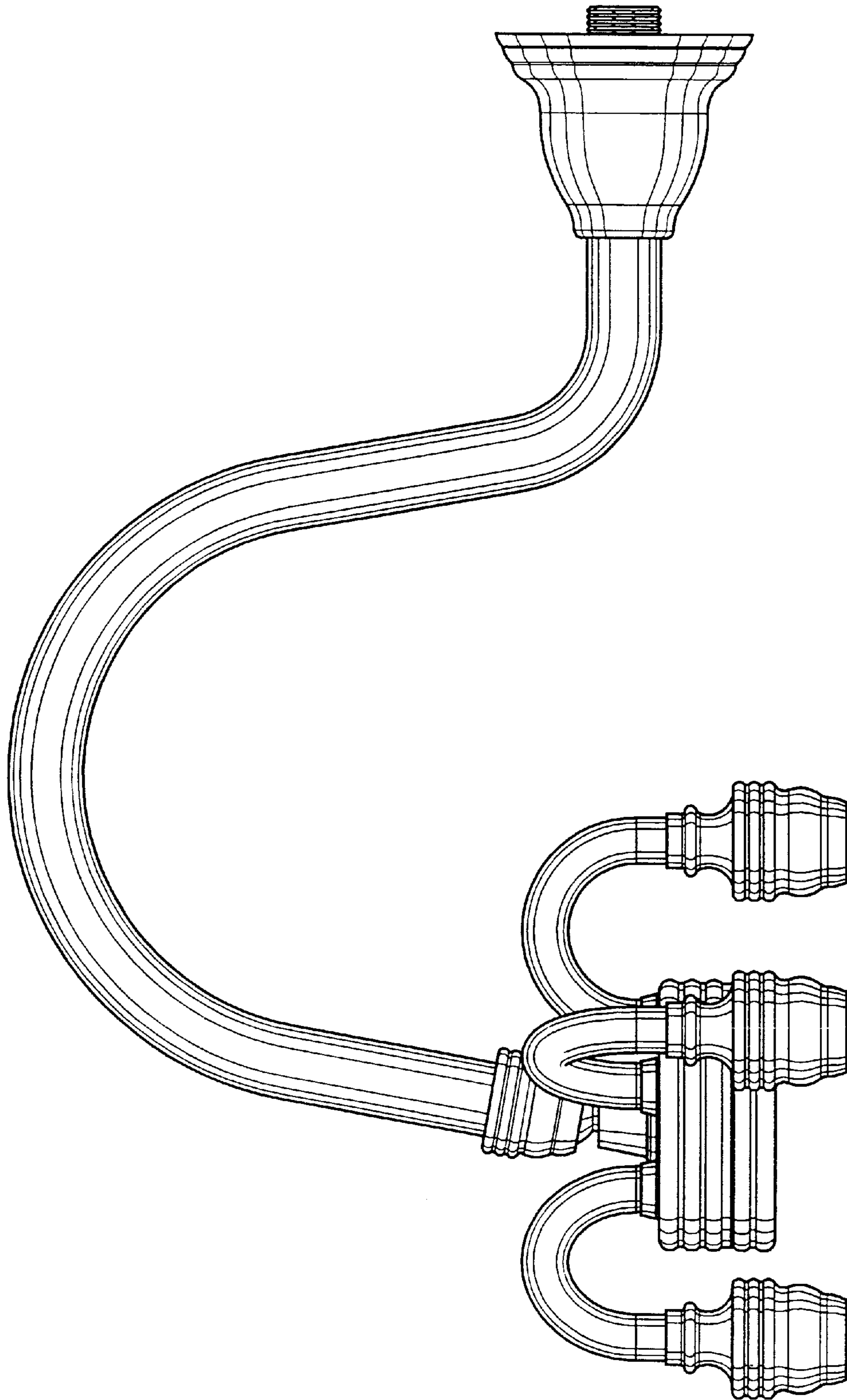


FIG. 4

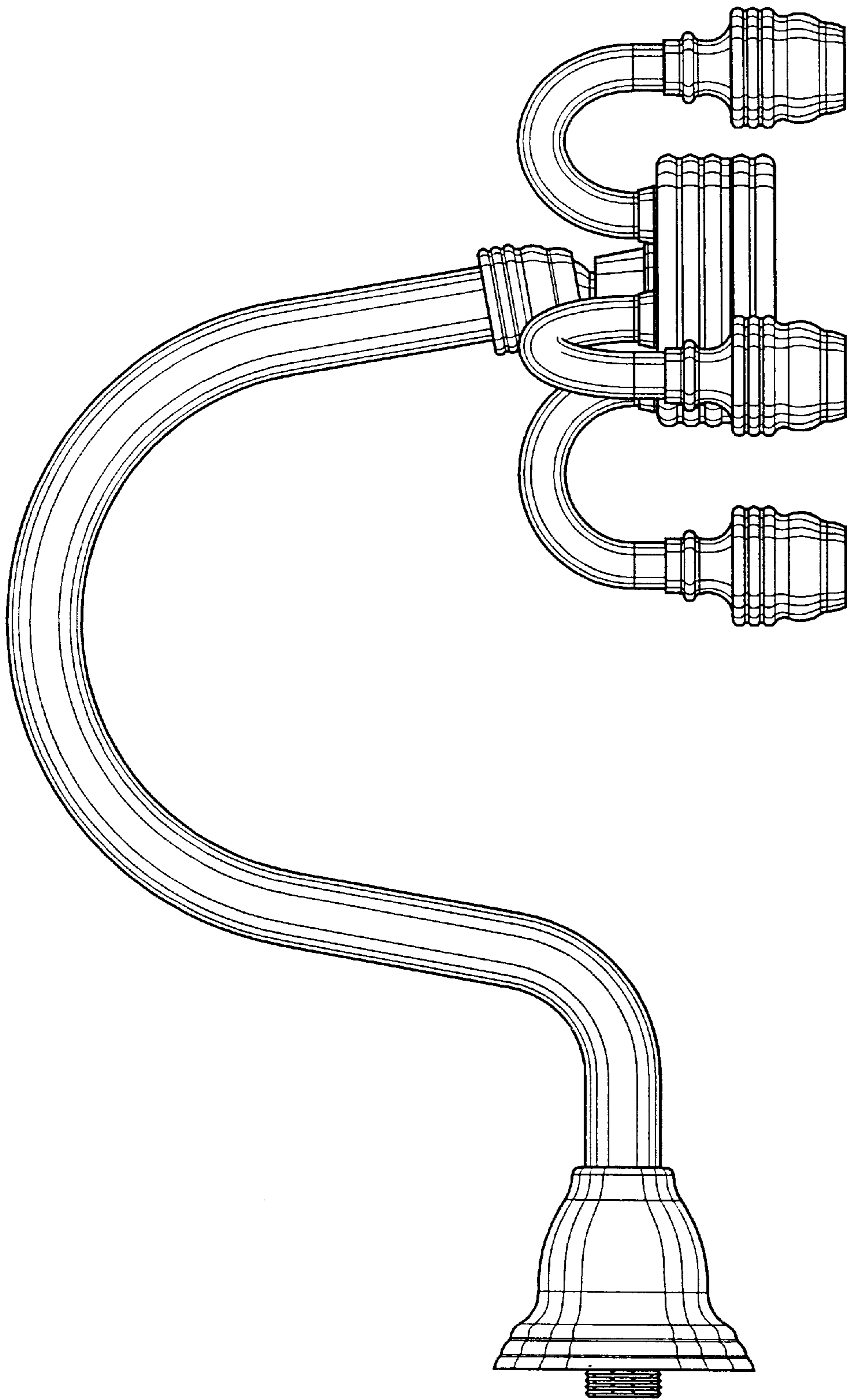


FIG. 5

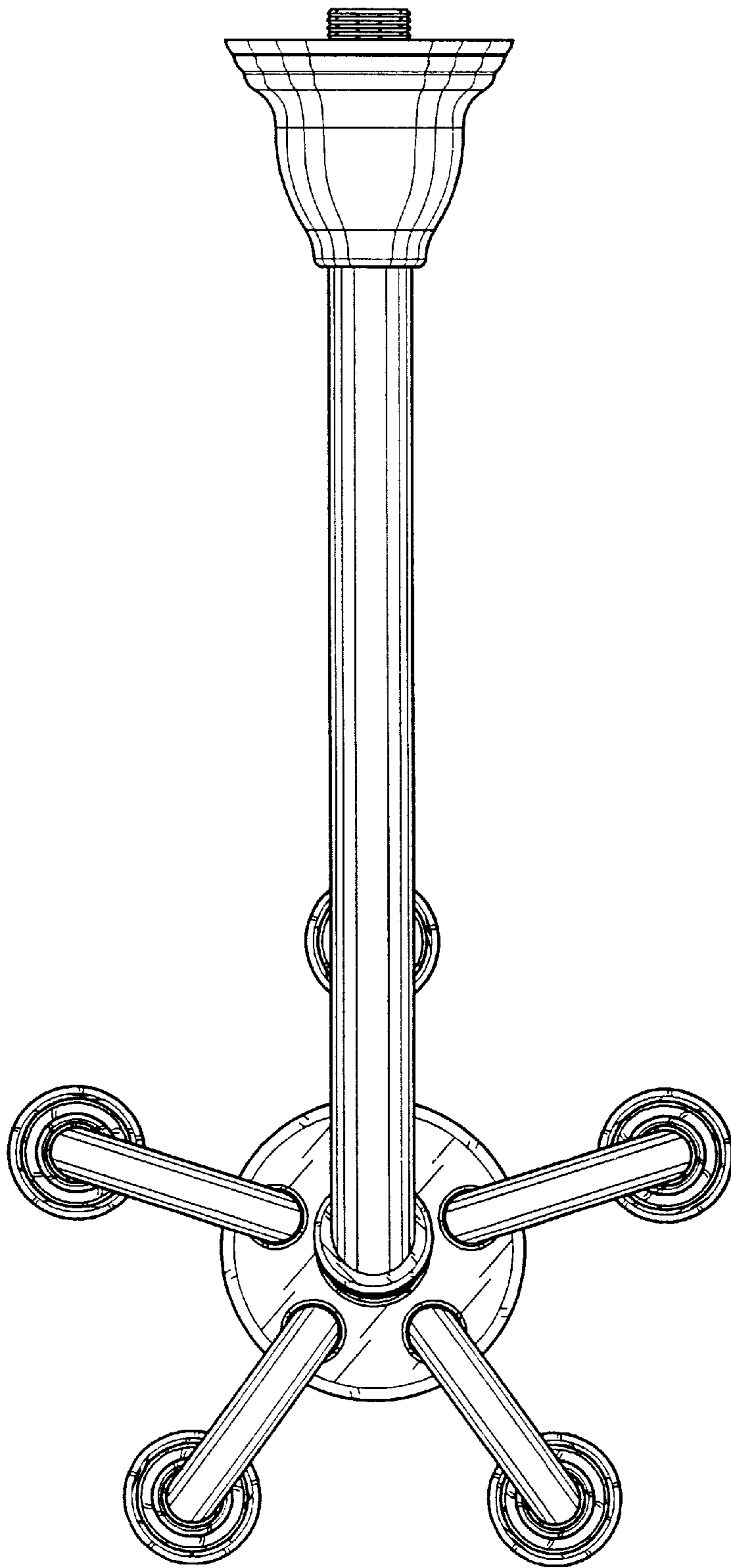


FIG. 6

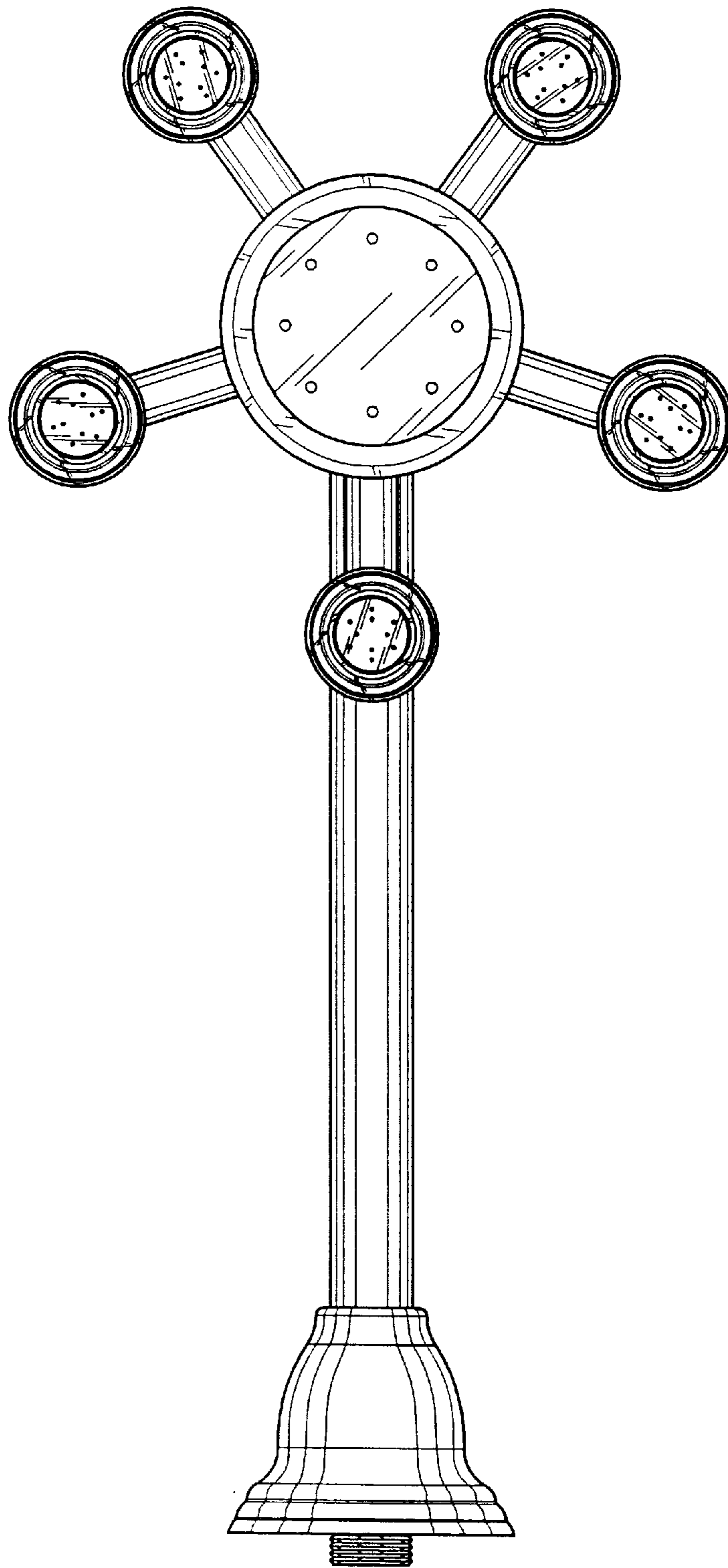


FIG. 7